

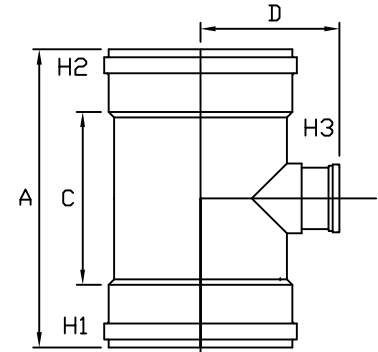
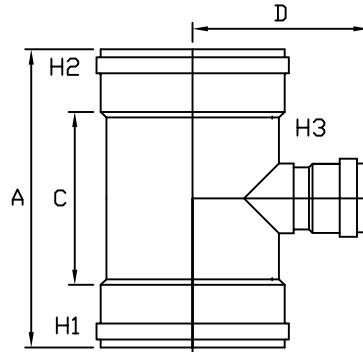
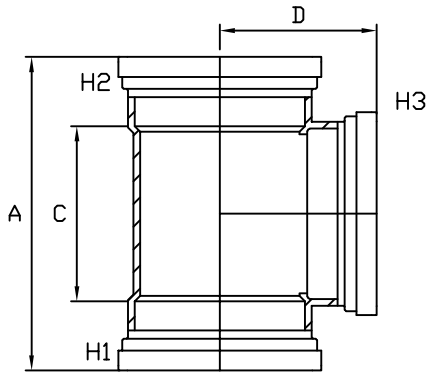


MULTI FITTINGS

LAYING LENGTH

ISSUE DATE: OCT 30/17
SUPERCEDES: SEPT 14/07

TEE (GxGxG)



INJECTION MOLDED FITTING (M)

FABRICATED FITTING (F)

FABRICATED FITTING (F1)

	SIZE H1xH2xH3	PART NUMBER	A REF	C REF	D REF
M =	4x4x4	067004	8. 625	4. 500	4. 375
P =	6x6x4	067026	-	-	-
M =	6x6x6	067006	12. 500	6. 625	6. 250
M =	8x8x4	067028	13. 500	6. 750	6. 500
M =	8x8x6	067048	13. 500	6. 750	7. 375
M =	8x8x8	067008	15. 750	8. 875	7. 875
F @	10x10x4	067030	-	-	-
F1 @	10x10x6	067031	30. 000	20. 375	10. 000
F1 @	10x10x8	067032	36. 000	-	10. 750
F @	10x10x10	067029	36. 000	26. 375	14. 000
F1 @	12x12x4	067060	30. 000	-	10. 000
F1 @	12x12x6	067037	30. 000	19. 500	10. 750
F1 @	12x12x8	067036	36. 000	-	12. 000
F @	12x12x10	067062	-	-	-
F @	12x12x12	067035	36. 000	25. 500	16. 500
F1 @	15x15x4	067070	39. 000	-	12. 000
F1 @	15x15x6	067071	39. 000	-	12. 500
F1 @	15x15x8	067072	39. 000	-	14. 000
M =	15x15x10	067147	25. 750	16. 375	12. 000
M =	15x15x12	067146	25. 750	16. 375	12. 500
M =	15x15x15	067145	25. 750	16. 375	12. 875

Note: = Refer to Page HW4 for Hub Detail, Type A
@ Refer to Page HW5 for Hub Detail, Fabricated
F1 has Molded hub in branch