

1. BEFORE YOU BEGIN

A. INTRODUCTION

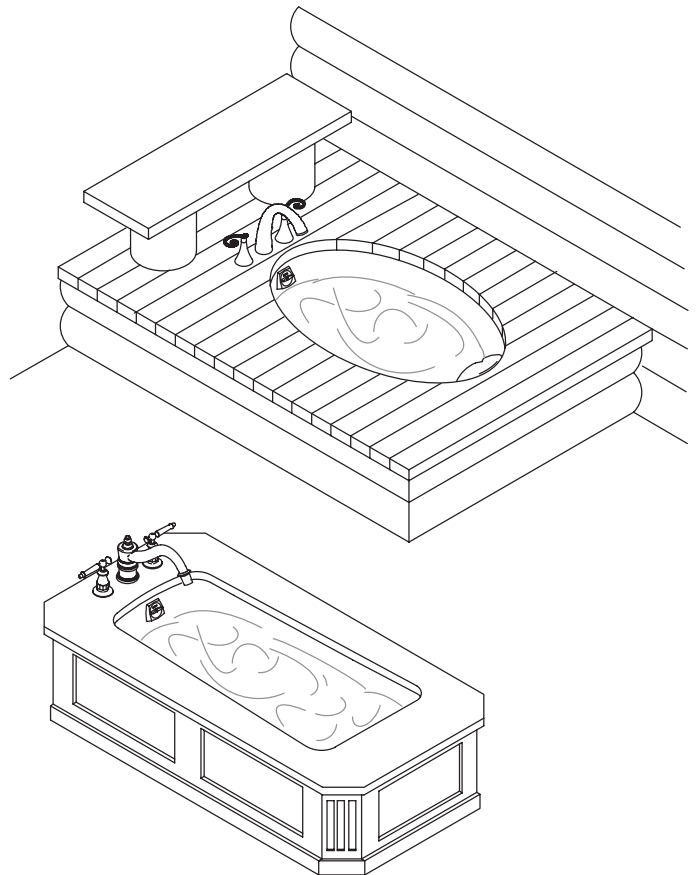
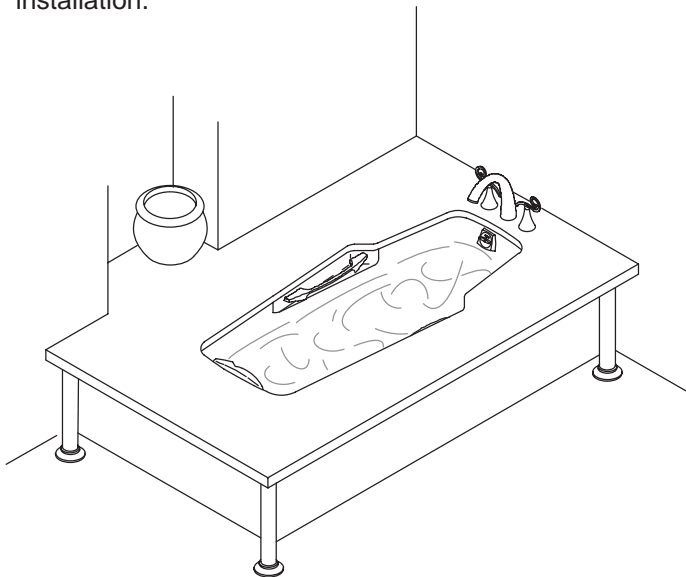
All information in these instructions is based on the latest product information available at the time of publication. Kohler Co. reserves the right to make changes in product characteristics, packaging, or availability at any time without notice.

B. PRODUCT NOTES

- Observe all local plumbing and building codes.
- Carefully read this entire installation instruction and the accompanying template before you begin.

C. INSTALLATION OPTIONS

This undermount whirlpool and bath kit gives the consumer the opportunity to be creative and flexible with the installation. Study these illustrations for possible installation ideas. Give special consideration to the exact location and styling desired for this installation.



2. INSTALLATION REQUIREMENTS

A. BATH INSTALLATION

Install the bath according to the installation instructions included with it.

B. PROTECT THE BATH UNIT

Position a drop cloth or similar material in the bottom of the bath unit. Be careful not to scratch the bath surface.

C. TOOLS REQUIRED

- Conventional woodworking tools
- Rule
- Saber saw
- Router
- Level
- Braces, clamps, or weights
- Safety shoes
- Safety glasses

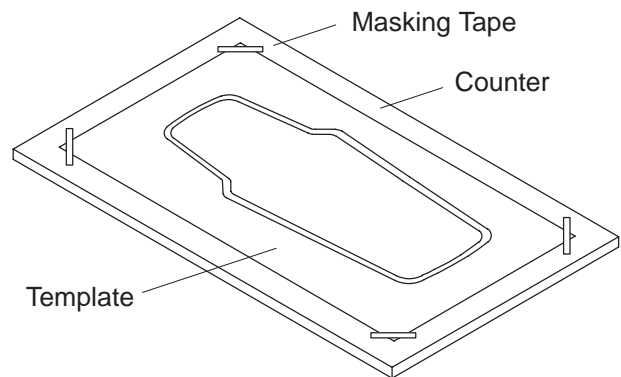
D. MATERIALS REQUIRED

- Silicone sealant
- Drop cloth
- Masking tape

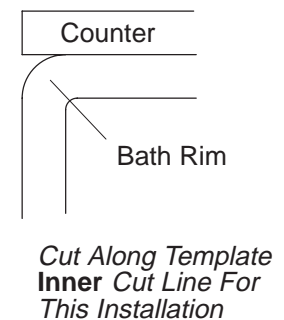
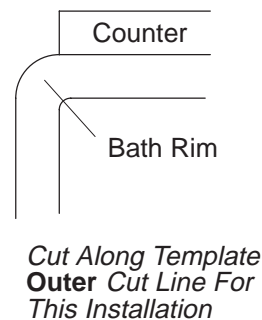
3. PREPARE COUNTER

Size and prepare the counter for the installation.

Position the template on the counter, using the template border to locate the perimeter of the bath. Use masking tape to affix the template to the counter. Ensure correct placement – **double check your work!**



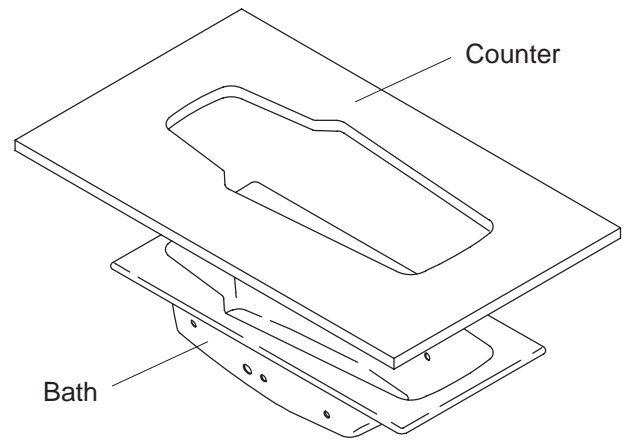
Determine the desired offset between the bath rim and the counter edge, and carefully cut the counter along the appropriate template cut line. Cut along the outside edge of the chosen template cut line.



Perform any needed routing or edge work to the counter.

Carefully position the counter on top of the bath to ensure correct fit and appearance. Make any adjustments required. Remove the counter.

If necessary, add 2x4 bracing to the counter underside to prevent shifting or flexing.



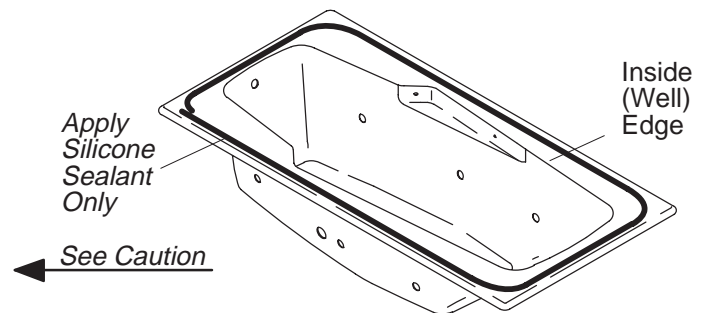
4. INSTALL COUNTER

Clean any dirt or debris from the bath rim.

Apply a bead of silicone sealant to the flat surface of the bath rim where the counter will make good contact. Apply the sealant bead 2" to 3" away from the inside (well) edge of the bath rim.



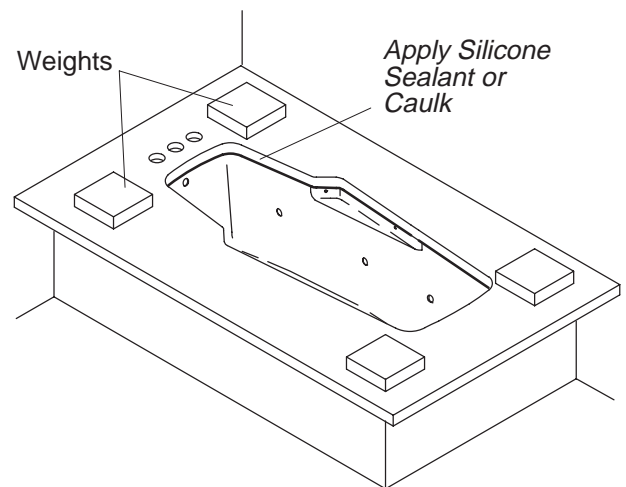
CAUTION: Risk of product or property damage. Do not use an adhesive or adhesive sealant to secure the counter to the bath rim. Future maintenance or remodeling may require that the counter be removed. Adhesives will permanently bond the counter and bath, making separation difficult and costly.



Carefully position the counter on the bath rim. Use braces, clamps, or weights to securely hold the counter in place until the sealant cures.

NOTE: Silicone sealant cure times will vary depending upon the room temperature, humidity level, and sealant brand and variety. Follow the instructions included with the sealant.

Apply a continuous bead of silicone sealant or caulk around the entire bath and counter seam. Allow the silicone or caulk to skin over or cure before cleaning the bath or counter.





KOHLER®

