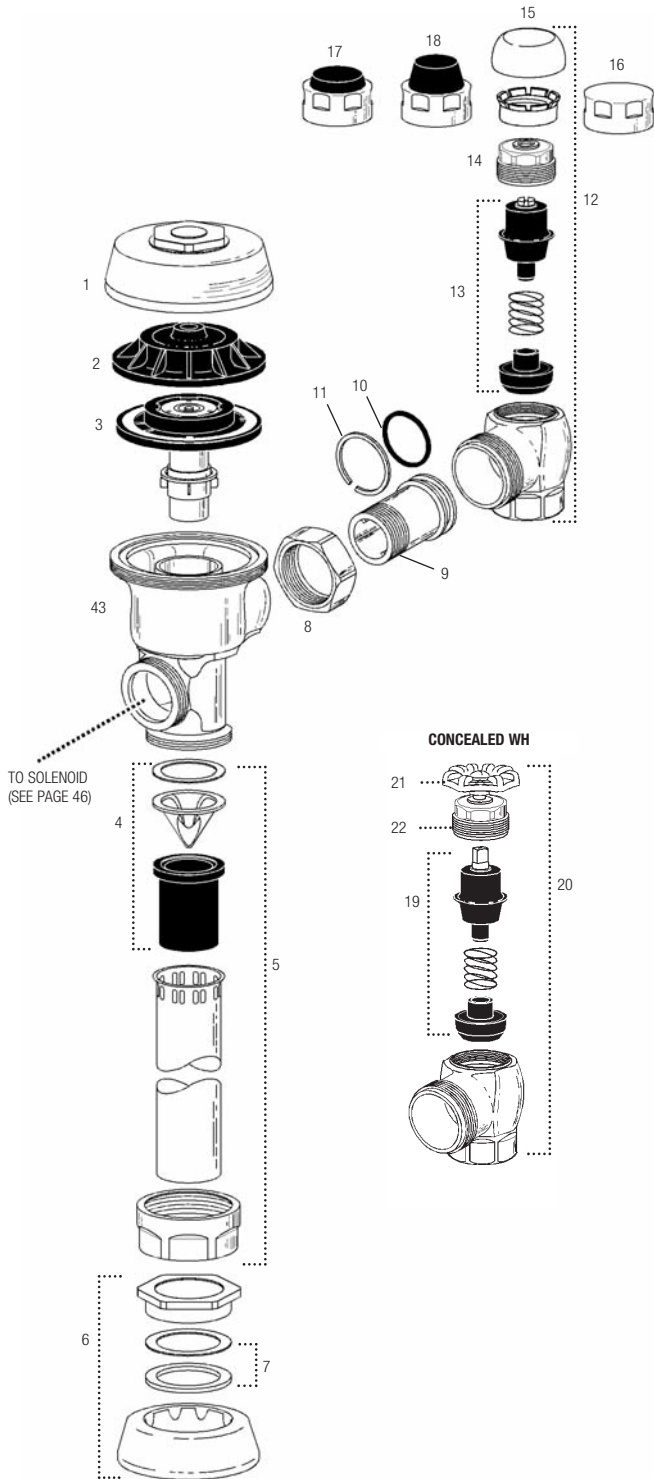


# Optima® Royal® Flushometers



**ABBREVIATIONS:**  
 CP Chrome Plated  
 RB Rough Brass  
 SD Screwdriver  
 WH Wheel Handle  
 gpf gallons per flush  
 Lpf Liters per flush

## OPTIMA® ROYAL® FLUSHOMETER PARTS LIST

Item No.	Code No.	Part No.	Description
1.	0301172	A-72	CP Cover
2.	0301168	A-71	Inside Cover
3.	<b>SEE DIAPHRAGM ASSEMBLY CHART ON PAGE 42</b>		
4.	3323182	V-651-A	Vacuum Breaker Repair Kit
5.	3393004	V-600-AA	3/4" (19 mm) x 9" (229 mm) CP Vacuum Breaker
	3393006	V-600-AA	1-1/4" (32 mm) x 9" (229 mm) CP Vacuum Breaker
	3393007	V-600-AA	1-1/2" (38 mm) x 9" (229 mm) CP Vacuum Breaker
6.	0306125	F-5-AW	3/4" (19 mm) CP Spud Coupling Assembly
	0306140	F-5-AU	1-1/4" (32 mm) CP Spud Coupling Assembly
	0306146	F-5-AT	1-1/2" (38 mm) CP Spud Coupling Assembly
7.	<b>SEE SLIP JOINT GASKETS AND RINGS TABLE ON ITEM 31A ON NEXT PAGE</b>		
8.	0308676	H-550	CP Stop Coupling
9.	0308801	H-551-A	CP Adjustable Tail 2-1/16" (52 mm) long
10.	5308696	H-553	O-Ring – 24 per package
11.	5308381	H-552	Locking ring – 12 per package
12.	3308386	H-700-A	1" (25 mm) Screwdriver Bak-Chek® Angle Stop CP – complete
	3308384	H-700-A	3/4" (19 mm) Screwdriver Bak-Chek® Angle Stop CP – complete
13.	3308853	H-541-A-SD	Control Stop Repair Kit for use with 1" (25 mm) H-700-A & 3/4" (19 mm) H-700-A, 1" (25 mm) H-600-A, 1" (25 mm) & 3/4" (19 mm) H-700-A and 1" (25 mm) H-540-A SD Stops
	3308856	H-543-A-SD	Control Stop Repair Kit for use with 3/4" (19 mm) H-600-A and H-540-A SD Stops
14.	0308612	H-622 CP	Bonnet for use with 1" (25 mm) & 3/4" (19 mm) H-700-A and 1" (25 mm) H-600-A SD Stops
	0308843	H-577	CP Bonnet for use with 3/4" (19 mm) H-600-A SD Stops – <b>OBSELETE</b>
15.	3308772	H-1010-A	1" (25 mm) Vandal Resistant Control Stop Cap Assembly for use with 1" (25 mm) & 3/4" (19 mm) H-700-A and 1" (25 mm) H-600-A SD Stops
	3308790	H-1009-A	3/4" (19 mm) Vandal Resistant Control Stop Cap Assembly for use with 3/4" (19 mm) H-600-A SD Stops
16.	0308840	H-573	1" (25 mm) Control Stop Cap CP for use with 1" (25 mm) & 3/4" (19 mm) H-700-A and 1" (25 mm) H-600-A SD Stops
	0308848	H-582	3/4" (19 mm) Control Stop Cap CP for use with 3/4" (19 mm) H-600-A SD Stops
17.	3308866	H-574	1" (25 mm) Control Stop Cap with Bumper for use with 1" (25 mm) & 3/4" (19 mm) H-700-A and 1" (25 mm) H-600-A SD Stops
18.	3308867	H-576	1" (25 mm) Control Stop Cap with Extended Bumper for use with 1" (25 mm) & 3/4" (19 mm) H-700-A and 1" (25 mm) H-600-A SD Stops
19.	3308860	H-1006-A	Repair Kit for 1" (25 mm) Stops with Concealed WH for use with 1" (25 mm) H-700-A, H-600-A, and H-543-AWH WH Series Stops
	3308859	H-1007-A	Repair Kit 3/4" (19 mm) Stops with Concealed WH for use with 3/4" (19 mm) H-700-A WH Series Stops
20.	0388010	H-730-A	1" (25 mm) Concealed WH Bak-Chek® Angle Stop RB
	0388011	H-730-A	3/4" (19 mm) Concealed WH Bak-Chek® Angle Stop RB
21.	3308872	H-1011-A	Repair Kit (for Concealed WH only; does not include bonnet)
42.	0208083	H-623	Bonnet
	0308705	H-561	Bonnet – <b>OBSELETE</b>
43.	0301048	A-143-A	CP Valve Body
	0301050	A-143-A	RB Valve Body

Sensor  
Flushometers