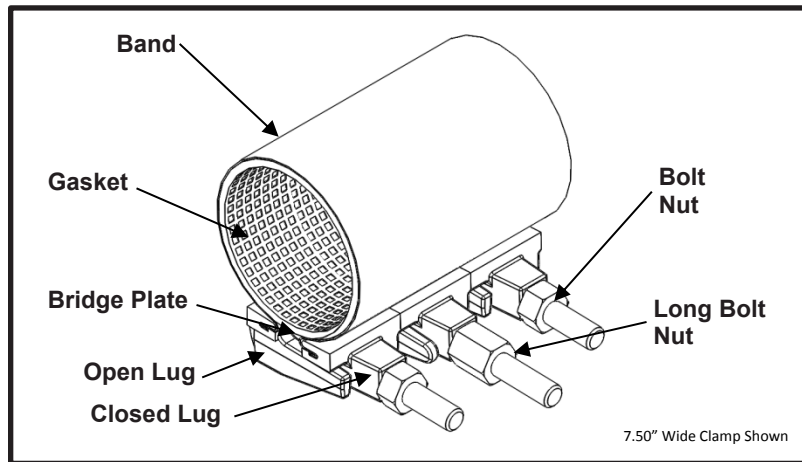


SPECIFICATION

FULL CIRCLE[®] REPAIR CLAMP

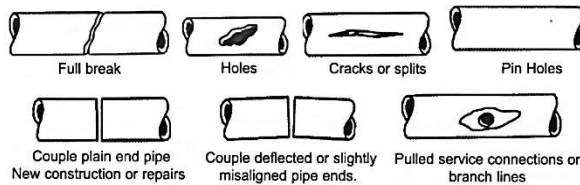
MODEL 226



APPLICATIONS

Typical Uses

- Repair leaks due to complete breaks, splits, or holes
- Joining pipes of the same diameter
- Examples:



Standard Pipe Sizes

- 2" to 14" nominal

Standard Widths

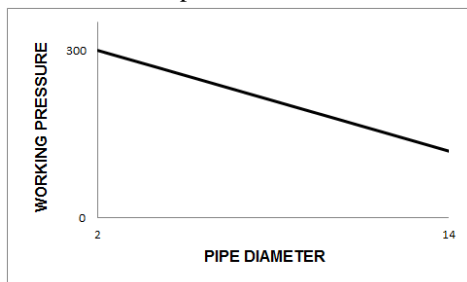
- 7.5", 10.0", 12.5", 15.0", 20.0", 25.0", 30.0"

Type of Pipe

- Carbon Steel, Stainless Steel, Ductile Iron, PVC, HDPE DR17 or thicker (with use of spring washers), Asbestos Cement, Copper, Aluminum

Working Pressure

- Up to 300 psi depending on type of pipe, type of repair, pipe diameter, service conditions and installation workmanship





SPECIFICATION

FULL CIRCLE[®] REPAIR CLAMP

MODEL 226

MATERIALS

- **Band**
 - Type 304 Stainless Steel per ASTM A240
 - Band Thickness: 24 gauge thick for clamps 4.50" diameter and smaller
20 gauge thick for clamps 4.80" diameter and larger
 - Hemmed ends for lug removal in tight applications
- **Lugs**
 - Cast using Ductile Iron 80-55-06 per ASTM A536
 - Flexi-Coat[®] fusion bonded epoxy finish
 - Slot cast in lug to capture band hem
 - Designed for drop in replaceable bolts
 - One open loop lug and one closed loop lug. The bolts do not have to be removed to install clamp, preventing lost hardware
 - Long interlocking fingers allow for up to 0.40 inches of range in clamp
 - Interchangeable lugs allow combining smaller diameter clamps to create larger diameter clamps
 - Mutually supporting sliding fingers assures proper bolt alignment and permits maximum clamping without bending bolts
- **Gasket**
 - Nitrile (Buna-N) per ASTM D2000
 - Gasket Thickness: 0.192" thickness for clamps 4.50" diameter and smaller
0.218" thickness for clamps 4.80" diameter and larger
 - Certified to NSF/ANSI 61-G & 372
 - Compounded to resist water, oil, natural gas, acids, alkalies, most (aliphatic) hydrocarbon fluids, and many other chemicals
 - Temperature range: -20°F to +180°F
 - Full 360° gridded face gasket provides maximum pipe support, reinforcement, and sealing pressure
 - Tapered ends allow for full circumferential sealing
- **Bridge Plate**
 - Type 304 Stainless Steel quarter-hard per ASTM A240
 - Molded and recessed into gasket
 - Preformed for uniform distribution of gasket pressure over the entire pipe circumference
- **Bolts**
 - HSLA Carbon Steel per AWWA C111/A21.11
 - 5/8"-11UNC x 6.00" long, Track Head Oval Neck
 - Fe/Zn coated per ASTM F1941-10
 - Rolled threads for improved physical characteristics, greater thread accuracy, and smooth surface finish
 - Drop in replaceable bolts
- **Long Bolts**
 - HSLA Carbon Steel per AWWA C111/A21.11
 - 5/8"-11UNC x 6.88" long, Track Head Oval Neck
 - Fe/Zn coated per ASTM F1941-10
 - Rolled threads for improved physical characteristics, greater thread accuracy, and smooth surface finish
 - Used on clamps 4.50" diameter and smaller to facilitate the initial clamp installation
 - Drop in replaceable bolts
- **Nuts**
 - HSLA Carbon Steel per AWWA C111/A21.11
 - 5/8"-11UNC, Heavy Hex Semi-Finished
 - Fe/Zn coated per ASTM F1941-10



SPECIFICATION

FULL CIRCLE[®] REPAIR CLAMP

MODEL 226

- **Long Nuts**
 - HSLA Carbon Steel per AWWA C111/A21.11
 - 5/8"-11UNC x 1.00" long, Heavy Hex Semi-Finished
 - Fe/Zn coated per ASTM F1941-10
 - Used to provide hand tightening during initial clamp installation

LISTINGS

- Certified to NSF/ANSI 61-G & 372
- Meets applicable AWWA C230 standards

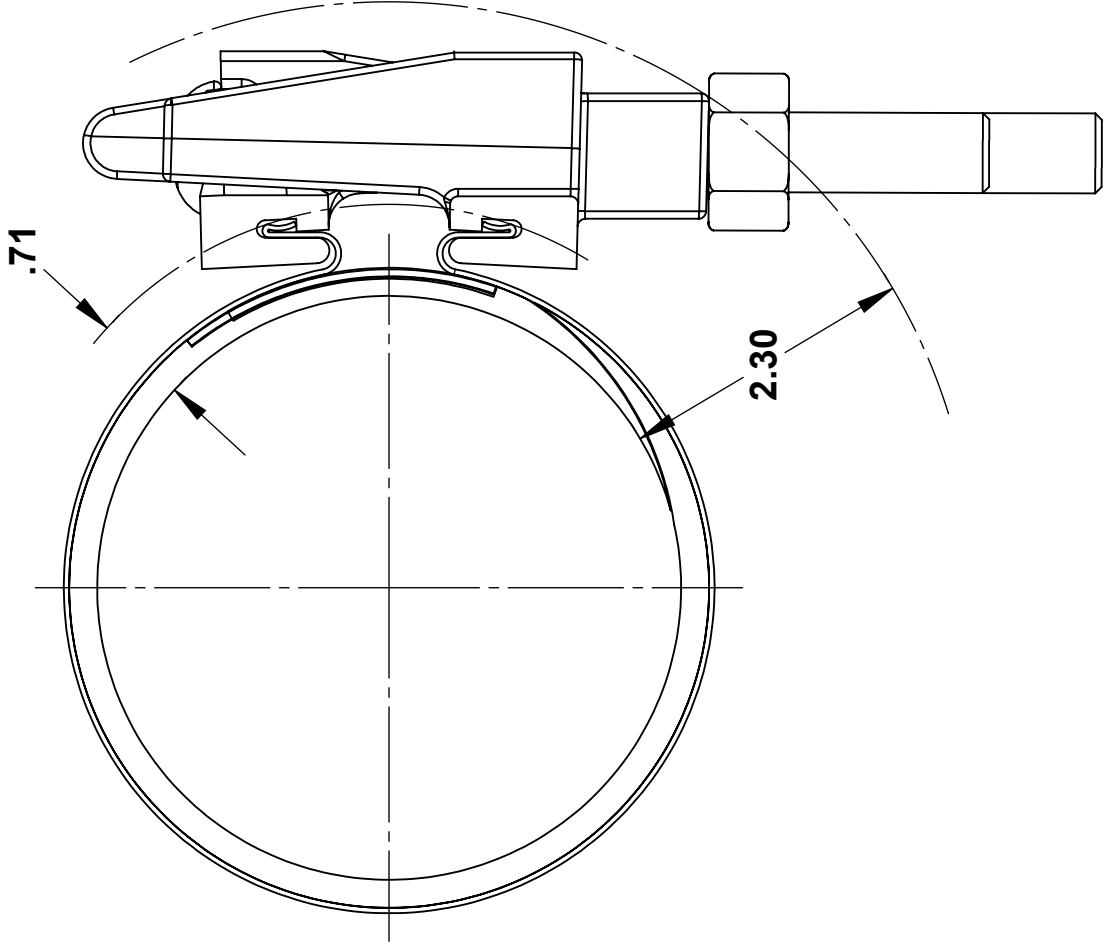
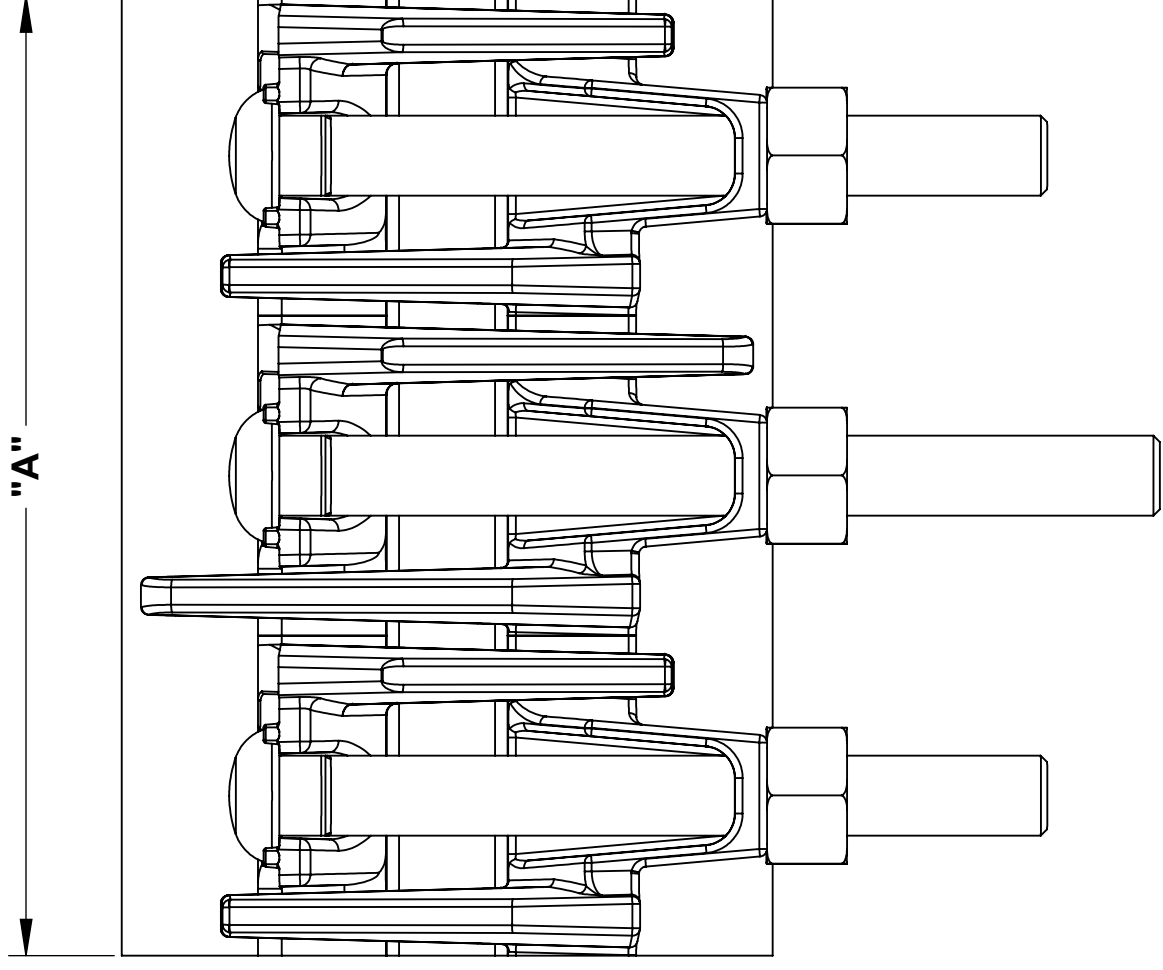
OPTIONS

- Type 316 Stainless Steel band
- Type 304 Stainless Steel hardware with fluoropolymer coated nuts to prevent galling
- Type 316 Stainless Steel hardware with fluoropolymer coated nuts to prevent galling
- Alternative gasket material (e.g. Viton, EPDM, etc.)
- Spring washers for use of clamp on HDPE pipe
- Offset gaskets to allow for repairing longer cracks using multiple clamps
- Conductivity feature

NOTES

- This product **does not** restrain the pipe from pulling out of the fitting
- Spring washers **are required** when this product is used on DR17 or thicker HDPE pipe (Not recommended for use on HDPE pipe DR 17 or thinner)
- Pipe stiffeners **are required** when this product is used to join HDPE and thin wall PVC pipe
- Full Circle[®] is a registered trademark of Smith-Blair Inc.
- These product specifications were correct at the time of publication and are subject to change without notice
- See the Smith-Blair[®] web site for part numbers and ordering information
- See the Smith-Blair[®] web site for warranty information
- See the Smith-Blair[®] web site for corrosion warnings

30 Globe Ave, Texarkana, AR 71854
Ph: 870-773-5127 • Fax: 870-773-5212
Toll-Free Numbers: Ph: 800-643-9705 • Fax: 800-648-6792



NOTES:

1. LONG OVAL NECK BOLTS ONLY PROVIDED ON CLAMPS 4.50" DIAMETER AND SMALLER
2. SEE SMITH-BLAIR CATALOG FOR AVAILABLE PIPE DIAMETER AND WIDTH COMBINATIONS AS SOME COMBINATIONS ARE NOT AVAILABLE
3. 7.50" WIDE CLAMP SHOWN OTHER SIZES SIMILAR

CERTIFIED TO NSF/ANSI 61-G & 372

A	BOLT QUANTITY			LONG NUT QUANTITY	SOCKET SIZE
	SHORT	LONG	TOTAL		
7.50	2	1	3	1	1-1/16"
10.00	2	2	4	2	
12.50	3	2	5	2	
15.00	4	2	6	2	
20.00	8	-	8	3	
25.00	10	-	10	4	
30.00	12	-	12	4	

TOLERANCES U.N.O. XX= ±.03 XXX= ±.015 FRACTIONS= ±.01 ANGLES= ±1° MACH. FIN=	NOTES: REMOVE BURRS AND SHARP EDGES DO NOT SCALE DWG.	APP'D	DATE
ALL DIMENSIONS ARE IN INCHES.	SCALE: N/A	CK'D	DATE
		DRN	CHD
			DATE
			5/18/15

TITLE
SPECIFICATION
FULL CIRCLE® REPAIR CLAMP
MODEL 226

P/N		N/A
DWC. NO.		1
SPEC_226.DRW		2/19/16
REV.		1
SHEET		1

SMITH-BLAIR, Inc.
 TEXARKANA, ARKANSAS