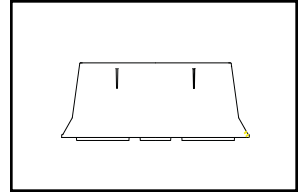
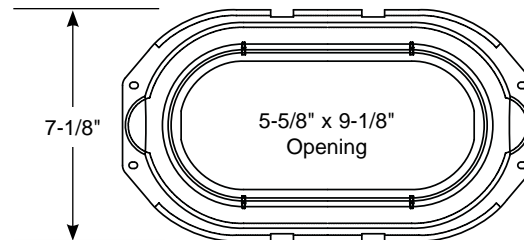
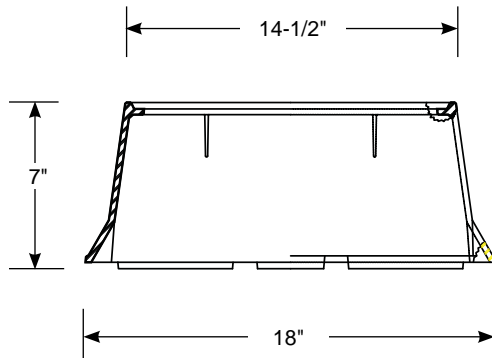


SUBMITTAL INFORMATION

Yokebox Upper Section - (LYPB style)



SHALLOW PLASTIC TYPE (LYL) UPPER SECTION 7" HIGH



APPROX. WT. LBS.	CATALOG NUMBER	✓ SUBMITTED ITEMS
3.0	LYPB	

FEATURES

- Made of thermoplastic

The Ford Meter Box Company considers the information in this submittal form to be correct at the time of publication. Item and option availability, including specifications, are subject to change without notice. Please verify that your product information is current.



The Ford Meter Box Company, Inc.

P.O. Box 443, Wabash, Indiana U.S.A. 46992-0443

Phone: 260-563-3171 / Fax: 800-826-3487

Overseas Fax: 260-563-0167

<http://www.fordmeterbox.com>

05/23/12

Submitted By: