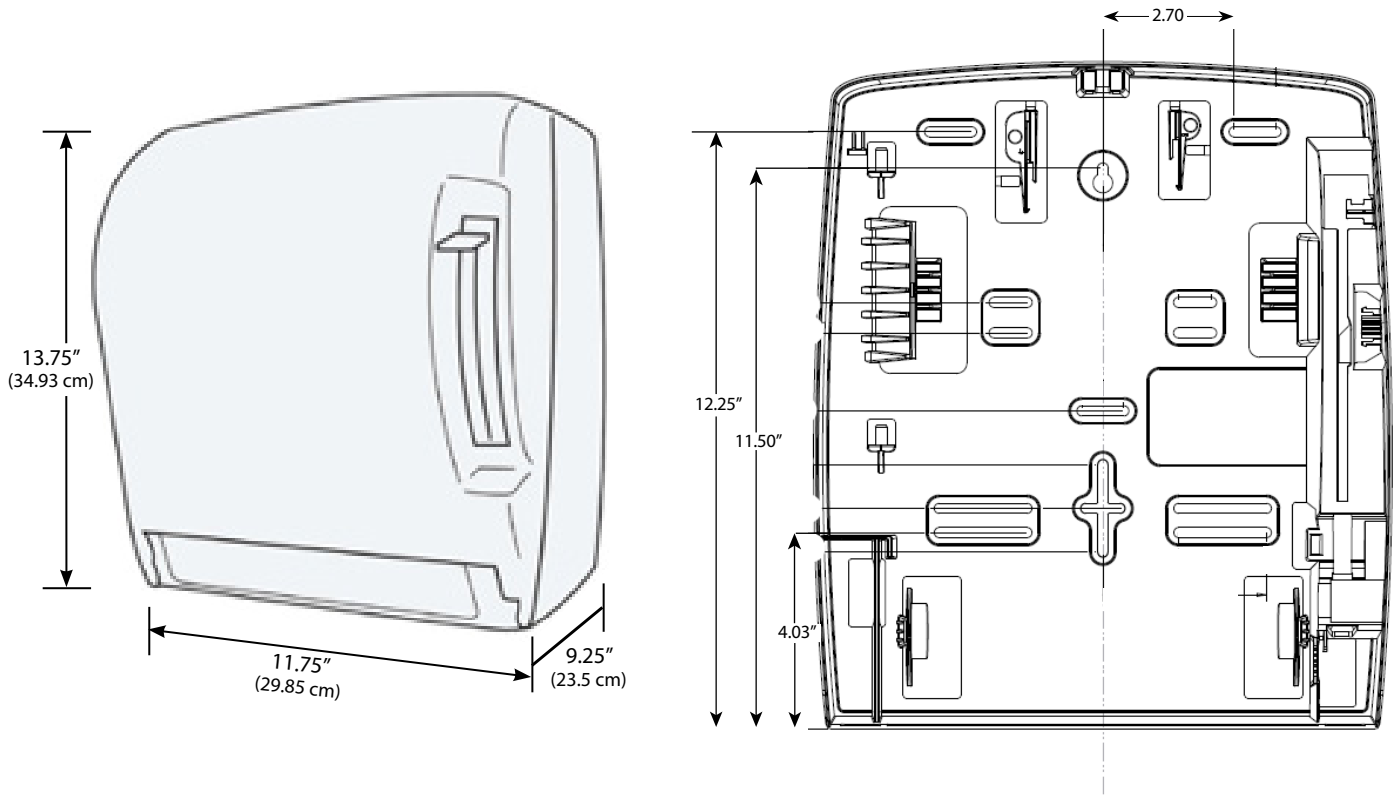


Kimberly-Clark Professional™ Manual Lever Dispenser



- Made of ABS plastic with a smoked transparent cover and black back
- Designed for maximum strength and durability
- Incorporates new easy roll loading feature and automatic sheet feed feature
- Dispenses one 8.0" diameter roll with 1.5" core
- Sheet length can be set to 4" (10.16cm) or 5" (10.16cm)
- For lock operation, choice of key-operated lock or optional user installed knob
- Hygienic lever-operated manual dispensing mechanism
- Stub roll feature that uses a double-feed design
- Hardware included for mounting
- One per case

09765
Black

Suggested mounting height is 48" from the floor or 12" above a counter to the bottom of the dispenser.
When installed properly and used with the corresponding product, this dispenser meets ADA Standard 28 CFR Part 36, local rules may vary.