

Product data sheet

Specifications

SQUARE D

Green Premium™



Mini circuit breaker, QO, 100A, 2 pole, 120/240VAC, 10kA, bolt on mount

QOB2100

Product availability : Stock - Normally stocked in distribution facility

Price* : 256.31 USD

Main

Product	Miniature circuit-breaker
Range	QO
Current Rating	100 A
Voltage Rating	120/240 V AC 120 V AC
Mounting Type	Bolt-on
Number of Poles	2P
Circuit Breaker Type	Standard
Ratings	HACR rated
Electrical Connection	Box lugs

Complementary

Interrupt Rating	10 kA 120/240 V AC 50/60 Hz 10 kA 120 V AC 50/60 Hz
Number of Panel Spaces	2
Wire Size	AWG 4...AWG 2/0 copper or aluminium
Tightening Torque	40.71 lbf.in (4.6 N.m)
Height	3.50 in (89 mm)
Width	1.50 in (38 mm)
Depth	2.91 in (74 mm)
Net Weight	0.75 lb(US) (0.340 kg)

Environment

Certifications	UL Listed CSA
Ambient Rating	104 °F (40 °C)

Ordering and shipping details

Category	00015-QOB CIRCUIT BREAKERS
Discount Schedule	DE2

* Price is "List Price" and may be subject to a trade discount – check with your local distributor or retailer for actual price.

GTIN	785901019688
Returnability	Yes
Country of origin	MX

Packing Units

Unit Type of Package 1	PCE
Number of Units in Package 1	1
Package 1 Height	1.60 in (4.064 cm)
Package 1 Width	3.30 in (8.382 cm)
Package 1 Length	3.90 in (9.906 cm)
Package 1 Weight	12.00 oz (340.194 g)
Unit Type of Package 2	CAR
Number of Units in Package 2	51
Package 2 Height	3.90 in (9.906 cm)
Package 2 Width	13.90 in (35.306 cm)
Package 2 Length	20.80 in (52.832 cm)
Package 2 Weight	37.25 lb(US) (16.896 kg)

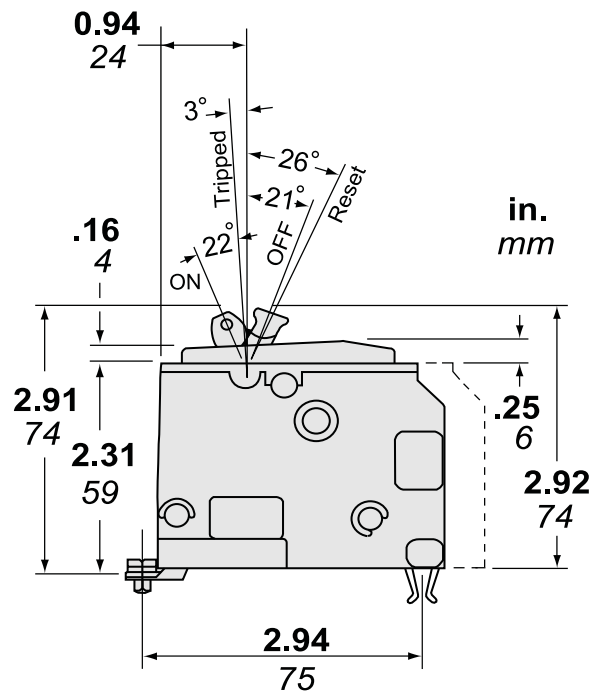
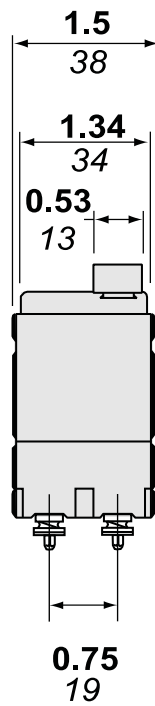
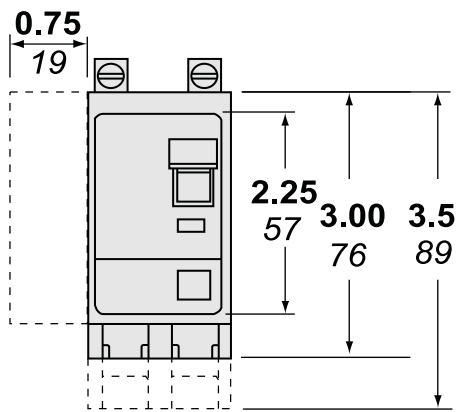
Offer Sustainability

Sustainable offer status	Green Premium product
California proposition 65	WARNING: This product can expose you to chemicals including: Cadmium and cadmium compounds, which is known to the State of California to cause cancer and birth defects or other reproductive harm. For more information go to www.P65Warnings.ca.gov
REACH Regulation	REACH Declaration
EU RoHS Directive	Compliant EU RoHS Declaration
Mercury free	Yes
China RoHS Regulation	China RoHS declaration Product out of China RoHS scope. Substance declaration for your information.
RoHS exemption information	Yes
Halogen content performance	Halogen free product

Contractual warranty

Warranty	18 months
----------	-----------

Dimensions



Dimensions are approximate. Refer to technical documentation for additional detail.

Recommended replacement(s)