

DIMENSIONS FOR ROUGHING IN

Stubs are roughed in with centers 1-3/8" from face of wall against which panel will be mounted and 2-1/4" from each end of baseboard panel.

If baseboard is to be finished at end of wall, and valve or plain enclosure is used, allow 5" from end of panel to face of finished wall.

BASEBOARD SITE ELEVATION – for installation on unfinished floor or with wall-to-wall carpeting

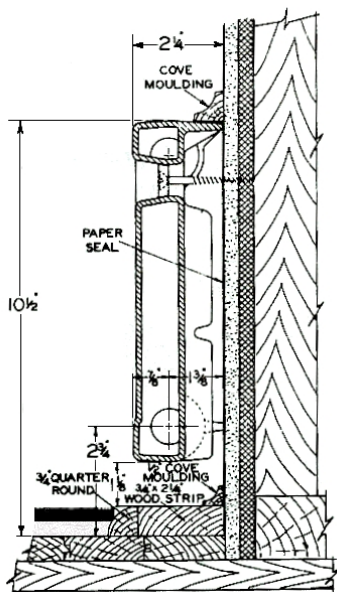
If baseboard is installed before finished floor is in place, a wooden strip 2-1/4" wide and equal in height to the finished floor should be installed along the entire wall where the baseboard installation, including trim, is to be placed.

If wall-to-wall carpeting is used, baseboard should be elevated 3/4" to compensate for the thickness of the carpeting. This can be accomplished two ways: a wood strip 2-1/2" wide by 3/4" high can be placed along the wall where baseboard is to be installed (Fig. 1), or 3/4" wood blocks may be placed under baseboard legs and center leg supports (Fig. 2).

RECESSING BASEBOARD PANELS

Weil-McLain Cast Iron Baseboard can be installed recessed as well as free standing. If the panels are recessed, the following procedure is recommended:

Fig. 1

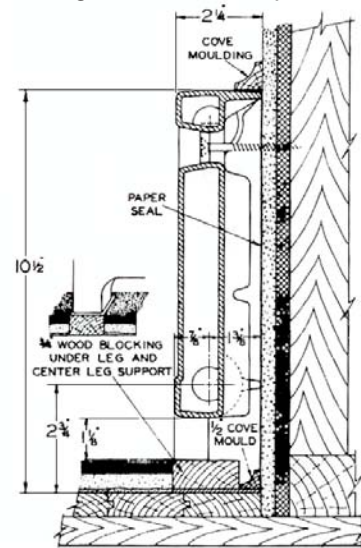


Cross-section - wall-to-wall carpeting using 2 1/4" wood strip

Nail a 1/2" plaster ground strip to the studding or furring with the top 10-3/8" above the finished floor. This will give approximately 1/8" clearance between top of baseboard and bottom of plaster ground strip (Fig. 3).

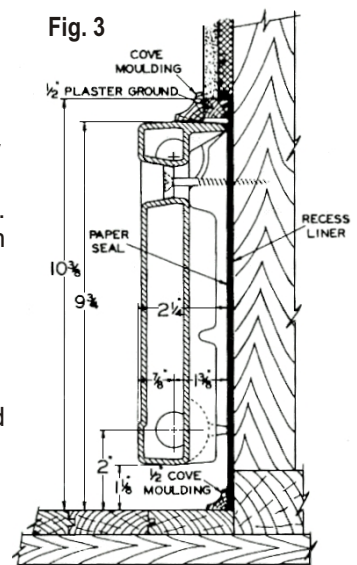
If wall-to-wall carpeting is to be installed, place the ground strip 3/4" higher for a total of 11-1/8" above the finished floor. Plaster or plasterboard should be finished off to the top of the ground strip. Line back of recess with celotex or continue lathe to floor. Insulating bats should be placed between studs in back of recessed baseboard. After recess is prepared, follow regular installation procedure.

Fig. 2



Cross-section - wall-to-wall carpeting using wood blocks under legs.

Fig. 3



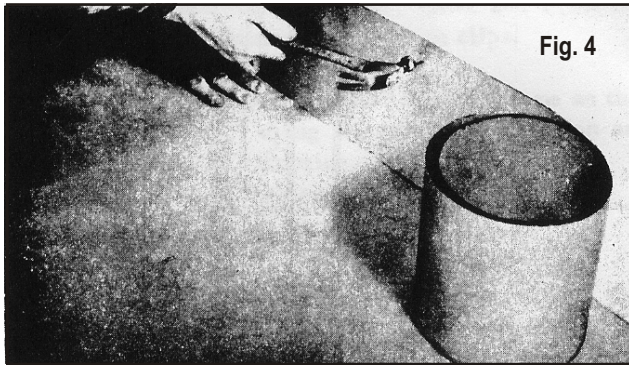
Baseboard recessed

TEMPORARY HEAT

Baseboard panels may be installed anytime after studs are in place. If panels are to be flush with the wall, place a board 10" high and equal in width to the depth of the finished wall against studding. Then apply air seal and follow regular installation procedure. For recessed installation, follow recessing installation procedure as outlined.

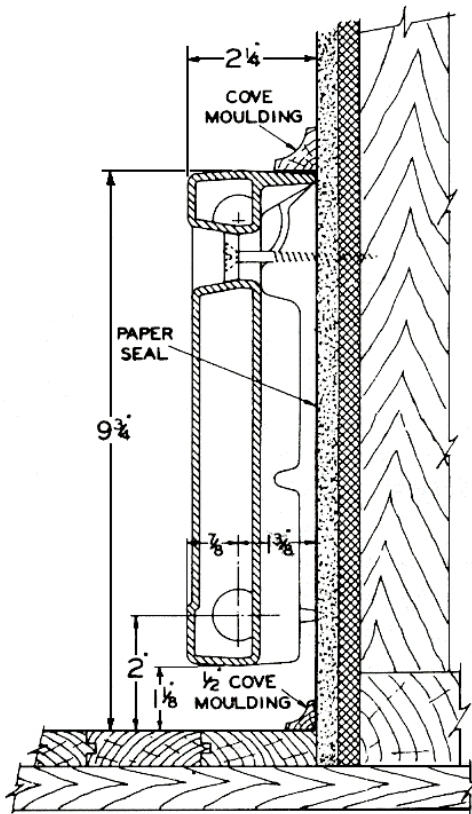
INSTALL AIR SEAL

Place air seal the length of the panel plus 1" overlap. The seal should be installed securely and smoothly in place with tacks (Fig. 4 & 5). If baseboard is to be set before finished floor is in place, air seal should extend to rough floor. Mark location of the studs on the front of the air seal. These marks will be used to position the holding clips after the panel is in position. It is recommended that a wood molding be used at the finished floor line to hold the air seal snugly to the wall.



Tacking paper seal in place

Fig. 5



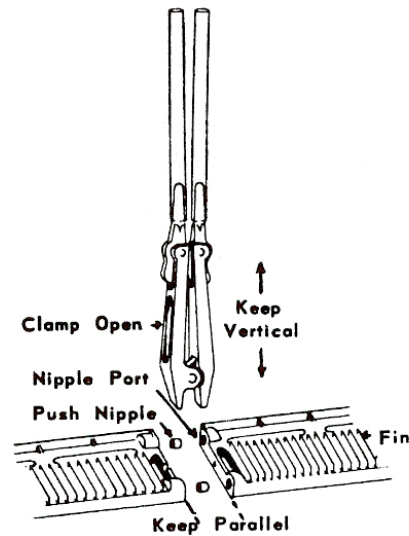
Cross-section of end elevation

CAST IRON BASEBOARD PANEL ASSEMBLY

CAUTION Be sure to remove protective plugs from nipple ports and tappings before assembling panel.

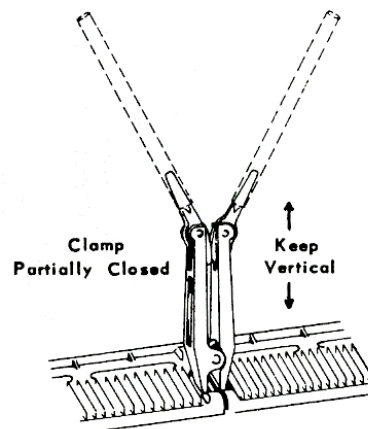
1. Line up two sections on the floor with fins up (Fig. 6).

Fig. 6



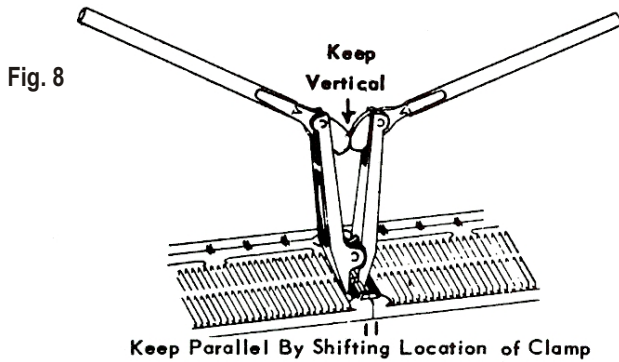
2. Remove protective plugs from the nipple ports and tappings.
3. Clean the edges and push nipple ports on the sections.
4. Wipe push nipples clean.
5. Apply thin coating of graphite paste or pipe joint compound to the external surfaces of the nipples.
6. Insert push nipples into one section, square them, and tap them firmly into place with a rawhide or wooden mallet.
7. Fit the second panel to the nipples.
8. Place the jaws of the clamp in the two recesses between the push nipple hubs and pull together (Fig. 7).

Fig. 7



Note following precautions (Fig. 8):

- a. Keep clamp vertical.
- b. Keep ends of sections parallel.
- c. Apply steady pressure.



When sections are drawn up, remove clamp and place 5/16" tie bolts in place. Tighten with open-end wrench for 5/16" hex nut (Fig. 9). Make sure sections are assembled perfectly straight, are in perfect alignment and are not bowed.

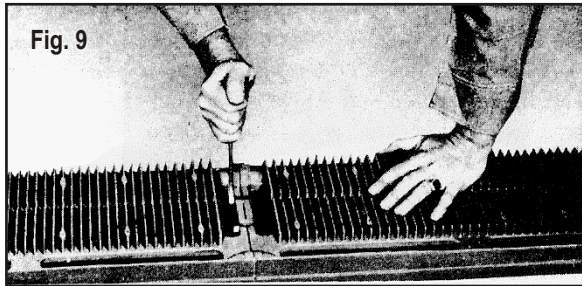
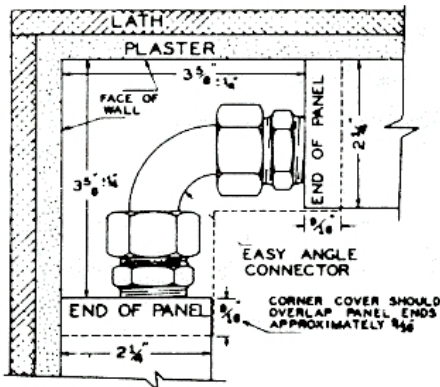


Fig. 9
Tightening 5/16" hex nuts on tie bolts after sections have been drawn up

For corner connections using copper connections, install and tighten adapter or compression fittings (Fig. 10). For cast iron corner connections, install and tighten straight piece of union radiator valves and elbows (Fig. 11 & 12). Plug unused openings with 3/4" plug (furnished). Check plug to make sure connection is tight.

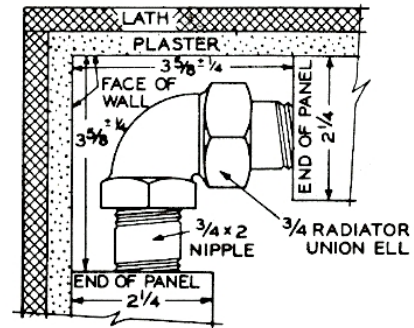
EASY ANGLE COPPER CONNECTION

Fig. 10



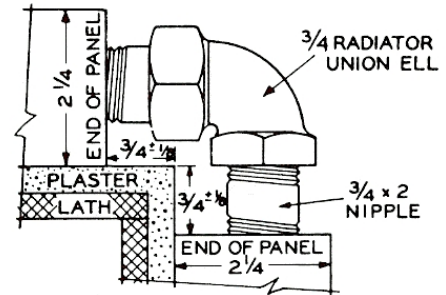
CAST IRON CONNECTIONS

Fig. 11



Plan view of inside corner hookup

Fig. 12



Plan view of outside corner hookup

INSTALLING CENTER LEG SUPPORTS

Screw 3/8" x 1-1/2" leg support screws furnished in selected support lugs on bottom of intermediate section (Fig. 13). Table below gives required number of screws based on panel length. Space support screws evenly.

Panel length	No. of supports
6' - 14'	1
15' - 21'	2
22' - 30'	3

Stand panel in position against wall. The legs at the end of the panels should rest on the finished floor or wood elevating blocks or strips. Adjust support screws to bear on floor and give equal distribution of weight over entire panel length.

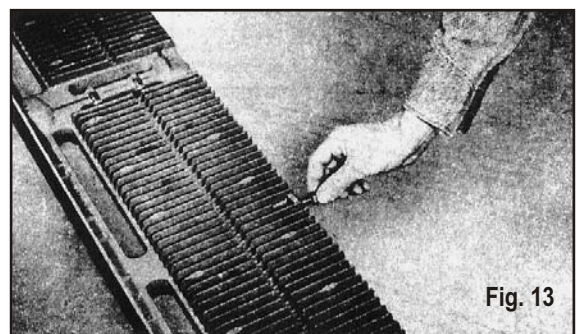


Fig. 13

Screw center leg support in baseboard

ASSEMBLY TABLE - CIBB PANELS

Weil-McLain Cast Iron Baseboard panels are shipped assembled, ready to install in lengths of 6' or less. All longer panels are shipped in two or more assemblies. All panels from 6-1/2' to 12' lengths are shipped in two assemblies, panels 12-1/2' to 18' in length in three assemblies, and panels from 18-1/2' to 24' lengths in four assemblies.

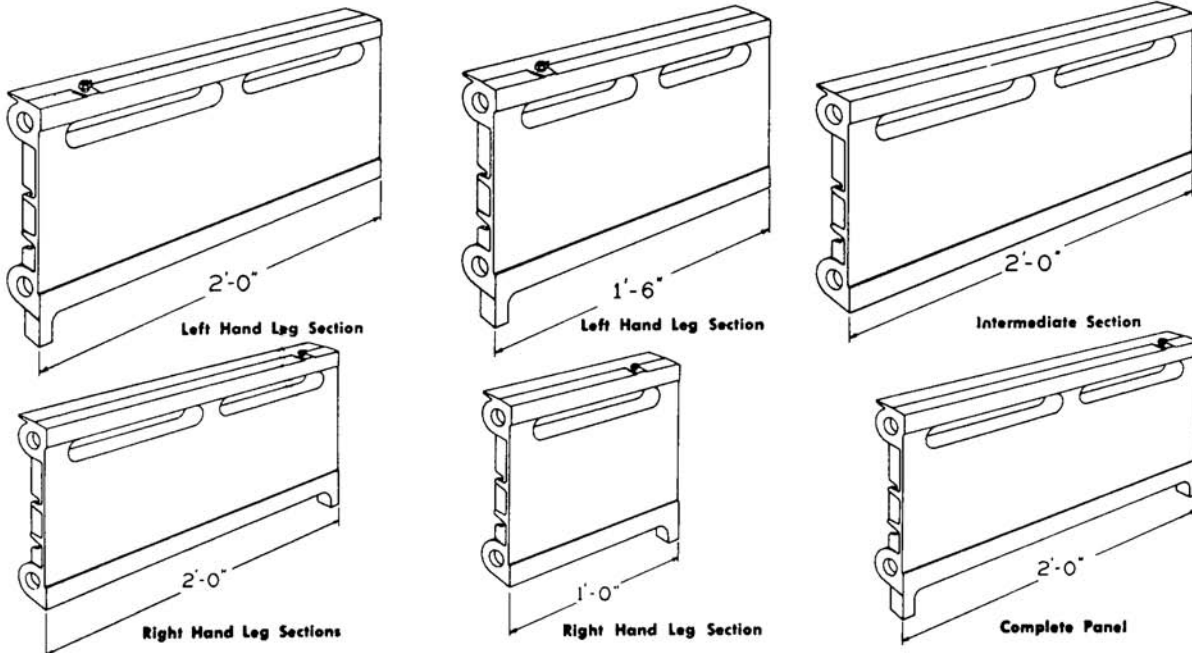
All 5-1/2' left sub-assemblies consist of one 1-1/2' left-hand leg section and two 2' intermediate sections. All 6' left sub-assemblies consist of one 2' left-hand leg section and two 2' intermediate sections. All 6' center sub-assemblies consist of three 2' intermediate sections. Right sub-assemblies consist of either a 2' or 1' right-hand leg section and the required number of 2' intermediate sections.

Base-Board Lengths	Sub-Assemblies		
	Left	Center	Right
1 ft.	complete assembly		
1-1/2 ft.	complete assembly		
2 ft.	complete assembly		
2-1/2 ft.	1-1/2 ft.		1 ft.
3 ft.	2 ft.		1 ft.
3-1/2 ft.	1-1/2 ft.		2 ft.
4 ft.	2 ft.		2 ft.
4-1/2 ft.	1-1/2 ft.	2 ft.	1 ft.
5 ft.	2 ft.	2 ft.	1 ft.
5-1/2 ft.	1-1/2 ft.	2 ft.	2 ft.
6 ft.	2 ft.	2 ft.	2 ft.
6-1/2 ft.	5-1/2 ft.		1 ft.
7 ft.	6 ft.		1 ft.
7-1/2 ft.	5-1/2 ft.		2 ft.
8 ft.	6 ft.		2 ft.
8-1/2 ft.	5-1/2 ft.		3 ft.
9 ft.	6 ft.		3 ft.
9-1/2 ft.	5-1/2 ft.		4 ft.
10 ft.	6 ft.		4 ft.
10-1/2 ft.	5-1/2 ft.		5 ft.
11 ft.	6 ft.		5 ft.
11-1/2 ft.	5-1/2 ft.		6 ft.
12 ft.	6 ft.		6 ft.

Base-Board Lengths	Sub-Assemblies		
	Left	Center	Right
12-1/2 ft.	5-1/2 ft.	6 ft.	1 ft.
13 ft.	6 ft.	6 ft.	1 ft.
13-1/2 ft.	5-1/2 ft.	6 ft.	2 ft.
14 ft.	6 ft.	6 ft.	2 ft.
14-1/2 ft.	5-1/2 ft.	6 ft.	3 ft.
15 ft.	6 ft.	6 ft.	3 ft.
15-1/2 ft.	5-1/2 ft.	6 ft.	4 ft.
16 ft.	6 ft.	6 ft.	4 ft.
16-1/2 ft.	5-1/2 ft.	6 ft.	5 ft.
17 ft.	6 ft.	6 ft.	5 ft.
17-1/2 ft.	5-1/2 ft.	6 ft.	6 ft.
18 ft.	6 ft.	6 ft.	6 ft.
18-1/2 ft.	5-1/2 ft.	2 - 6 ft.	1 ft.
19 ft.	6 ft.	2 - 6 ft.	1 ft.
19-1/2 ft.	5-1/2 ft.	2 - 6 ft.	2 ft.
20 ft.	6 ft.	2 - 6 ft.	2 ft.
20-1/2 ft.	5-1/2 ft.	2 - 6 ft.	3 ft.
21 ft.	6 ft.	2 - 6 ft.	3 ft.
21-1/2 ft.	5-1/2 ft.	2 - 6 ft.	4 ft.
22 ft.	6 ft.	2 - 6 ft.	4 ft.
22-1/2 ft.	5-1/2 ft.	2 - 6 ft.	5 ft.
23 ft.	6 ft.	2 - 6 ft.	5 ft.
23-1/2 ft.	5-1/2 ft.	2 - 6 ft.	6 ft.
24 ft.	6 ft.	2 - 6 ft.	6 ft.

NOTE: 1' thru 6' complete assemblies are shipped assembled.

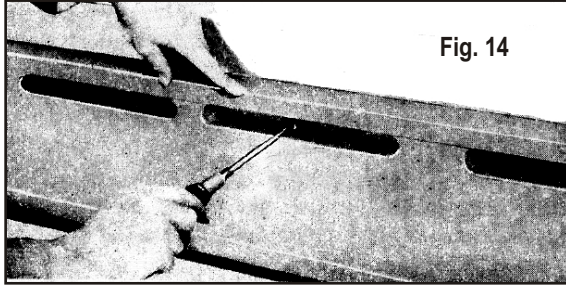
CIBB BASEBOARD PANELS



INSTALL HOLDING CLIPS

Install holding clips using one clip for each three lineal feet of baseboard. Insert clips in air slots of panel in line with wood studs whose locations were marked on paper seal. Place beveled end of clip toward wall and position clip so it sets squarely in panel (Fig. 14). Use long wood screw supplied with clip and screw into stud. Turn screw to point where approximately 1/8" is left. This enables panel to be moved slightly when making connections.

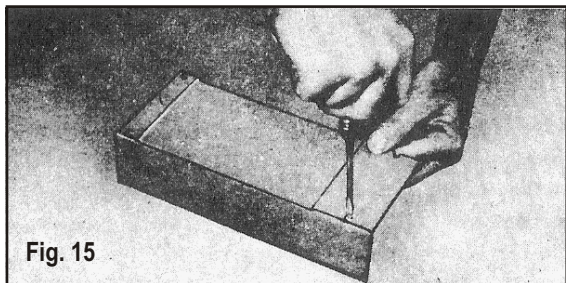
Be sure to tighten valve and elbow connections.



Install holding clip

INSTALL END COVERS ON METAL TRIM

End covers are used to close the exposed ends of metal trim pieces used. (Note: end covers are marked for right and left-hand and are not interchangeable.) Fasten end cover to top and bottom of trim piece with self-tapping screws (Fig. 15). When used with trim piece which does not have holes punched for end cover, drill 5/32" holes in trim piece using end cover as template.

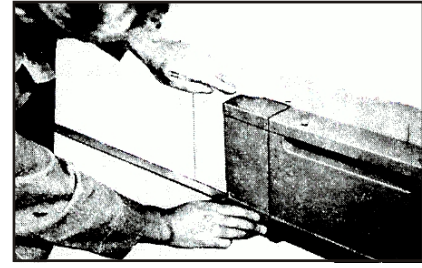


Attach end cover to enclosure

INSTALL WALL CLIPS, VALVE AND PLAIN ENCLOSURES

Wall clips are used to hold trim securely in place. Set the valve and plain enclosures to be used in position on baseboard. Mark a line on the wall using the top rear edge of the trim piece against the wall as a guide (Fig. 16).

Fig. 16

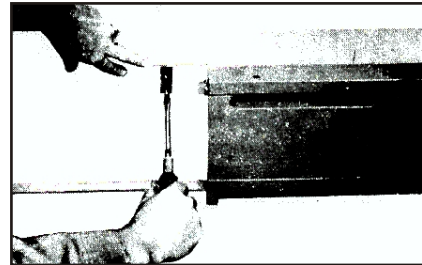


Mark line on wall for top of trim

Remove trim. Install clip with top approximately 1/8" below line. If wall is plaster, cover area where clip screw is installed with tape to prevent plaster from chipping. Clip should be set near end of trim away from baseboard panel (Fig. 17). Install one clip for each valve or plain enclosure. When metal extension is used, install one clip for each two lineal feet. (For matched metal extension, see instructions on page 6 - "INSTALL METAL EXTENSION AND SPLICE PIECE.") Valve and plain enclosure are set in place overlapping the end of panel by 1/2." Trim overlaps over rear edge of baseboard. Fasten trim to leg of panel with self-tapping screw furnished.

If distance from end of panel is between 5" to 9-5/8" and access is not needed, use extended plain enclosure and cut to necessary dimension.

Fig. 17

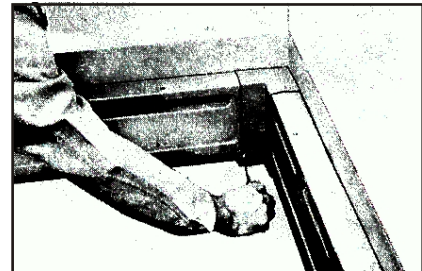


Install wall clip

INSTALL INSIDE AND OUTSIDE CORNERS

Corners are set in place overlapping the ends of the baseboard panels approximately 1/2." They are designed to catch behind the panels at the top edge. Attach the corners to the panel legs with the self-tapping screws (Fig. 18). Extended inside corners can be used to cover connections up to 9-5/8" from the face of the wall. Cut extended corner to desired dimension. Drill a 5/32" hole 1/4" from the end of corner and 1" up from the bottom. Install corner cover and attach to baseboard.

Fig. 18



Attach corner to panel legs

INSTALL METAL EXTENSION AND SPLICE PIECE

Metal extensions, furnished in 3' lengths, are used to finish off area from end of baseboard to the wall if distance exceeds 9-5/8". (If end cover is required to cover open end, see section "INSTALL END COVERS AND METAL TRIM" on page 5 for instructions.)

The metal extension is supported by a wood furring strip, which is nailed to the floor, and by wall clips (Fig. 19). Extension overlaps baseboard and is attached to leg of baseboard with self-tapping screws. Drill a 5/32" hole 1/4" from the end and 1" up from bottom at end of extension to be attached to baseboard. (See section "INSTALL WALL CLIPS, VALVE AND PLAIN ENCLOSURES" on page 5 for installation information on clips.)

For finished appearance, run wood molding same as

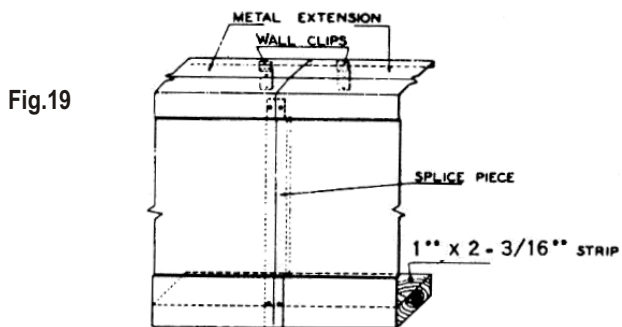


Fig.19

Support extension with furring strip and wall clips.
Attach adjoining pieces with splice piece.

that used on top of panel along top of metal extension and along floor in front of extension. If more than one piece of extension is required, or if extension is joined to other metal trim, connection is made by a splice piece. The splice piece is placed inside the joint. The extension and trim are attached to the splice piece with self-tapping screws. To accommodate the screws, drill 5/32" holes in the extension using splice piece as template. Cover joint on outside with masking tape.

COMPLETING THE INSTALLATION

After panel and fittings are in place, the paper seal which extends above the top of the panel should be bent down over the top of the panel. A 3/4" molding is then nailed to the wall along the top of the panel. The excess paper protruding beyond the molding should be trimmed off with a sharp knife (Fig. 20).

Install air vents.

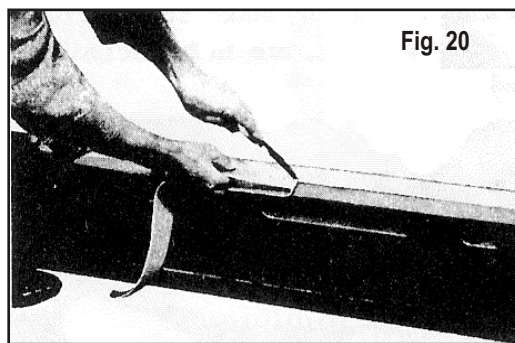


Fig. 20

Remove excess paper

CIBB TRIM ACCESSORIES (Order separately)

