

TRADE PRICE BOOK

No. 23

Effective Date: August 15, 2016



Heating solutions that are...

as POWERFUL and ADAPTABLE as the Grizzly Bear.

www.weil-mclain.ca



WEIL-McLAIN
CANADA

WEIL-McLAIN PRICE PAGE INDEX

SECTION 1 -- GAS BOILERS HIGH EFFICIENCY	PAGE NO.
ECO High Efficiency Boiler	1-1
WM97+ CT	1-2
EVERGREEN Condensing Gas Boiler	1-3
ULTRA Water Boilers	1-4
GV90+ Water Boiler	1-5
Slimfit Commercial Boiler Page 1	1-6
Slimfit Commercial Boiler Page 2	1-7
SECTION 2 -- GAS BOILERS MID EFFICIENCY	
CGI Boiler	2-1
CGA Boiler	2-2
EG Water/Steam Boilers	2-3
EGH Steam Boilers	2-4
SECTION 3 -- OIL BOILERS HIGH EFFICIENCY	
Ultra Oil	3-1
Gold Oil Water Boilers WGO/WTGO	3-2
Gold Oil Steam Boilers SGO	3-3
SECTION 4 -- GAS AND/OR OIL BOILERS MID EFFICIENCY	
LGB Water/Steam Boilers	4-1
LGB Optional Equipment	4-2
80 Series (Water/Steam) Boilers	4-3
80 Series - Optional Equipment	4-4
80 Series - Burners	4-5
88 Series 2 (Water/Steam) Boilers	4-6
88 Series 2 - Optional Equipment	4-7
88 Series 2 - Burners	4-8
Cobalt Series	4-9
Cobalt Series - Optional Equipment	4-10
Cobalt Series - Burners	4-11
Cobalt Series - Control Package Adder	4-12
94 Series 3 (Water/Steam) Boilers	4-13
94 Series 3 - Burners	4-14
SECTION 5 -- ADDITIONAL BOILER EQUIPMENT AND CONTROLS	
Aqua Plus Water Heaters	5-1
AQUA LOGIC Water Heater	5-2
Maxi-Flo Pool Heat Exchangers	5-3
Brazen Plate Heat Exchangers	5-4
Additional Boiler Equipment	5-5
Multiple Boiler System Controls	5-6
Zone Controls	5-7
SECTION 6 -- RADIATION	
Type "RC" Cast Iron Baseboard	6-1
SECTION 7 -- ADDITIONAL INFORMATION	
Warranty Page 1	7-1
Warranty Page 2	7-2
Warranty Page 3	7-3
Warranty Page 4	7-4
Warranty Page 5	7-5
Terms and Conditions	7-6

Weil-Mclain Sales Representatives

PROVINCES	DISTRICT	AGENCY	ADDRESS	TELEPHONE NUMBER	FAX NUMBER	EMAIL ADDRESS
ALBERTA	Southern	Allan Forrest Sales Ltd	#10, 4980 12A Street S.E. Calgary AB T2G 5K9	(403) 243-7001	(403) 243-7353	donsamson@allanforrest.com jackforrest@allanforrest.com
ALBERTA NWT/YUKON	Northern	Allan Forrest Sales Ltd	18039 - 107 Avenue Edmonton AB T5S 1K3	(780) 452-8551	(780) 452-3486	billbossmann@allanforrest.com
BRITISH COLUMBIA		Icon Agencies	1525 Boardway Ave Unit #114 Port Coquitlam, BC V3C 6P6	(778) 285-4288	(778) 285-2776	dan.cramer@iconagency.ca chris.foster@iconagency.ca
MANITOBA	Thunder Bay	MidCan Hydronics	499 Sprague Street Winnipeg MB R3G 2R9	(204) 786-2246	(204) 786-2275	hydronics4midcan@shaw.ca
NEW BRUNSWICK		MacLeod & Grant Ltd.	451 Paul Street Suite 213 Dieppe NB E1A 6W8	(506) 383-3151	(506) 388-1927	jmorris@macleodandgrant.com
NEWFOUNDLAND, NOVA SCOTIA & P.E.I.		MacLeod & Grant Ltd.	106 MacKay Street P.O. Box 809 Stellarton NS B0K 1S0	(902) 752-5532	(902) 752-7778	pgrant@macleodandgrant.com tweir@macleodandgrant.com
ONTARIO	Central	Aqua Tech Sales	4390 Paletta Court Unit M Burlington ON L7L 5R2	(905) 456-8300	(905) 637-8655	busterr@aquatech-canada.com grante@aquatech-canada.com jasonv@aquatech-canada.com dianam@aquatech-canada.com joshua@aquatech-canada.com
ONTARIO	Eastern	E.J. Barnabe	4329 Wildmint Square Ottawa ON K1V 1N5	(613) 822-2361	(613)822-4156	barnabe@bell.net
ONTARIO	Northern	Integrity Sales	410-269 Main St. North Bay Ontario. P1B 2T8	1-877-638-1919		sean@integritysales.ca
ONTARIO	South Western	Somers Environmental Products Ltd.	96 Meg Drive London, On N6E 3T7	(519) 681-1977	(519) 686-9324	daryl@somerse.com scott@somerse.com
QUEBEC		Agences Jacques Desjardins Inc.	20 Emilien-Marcoux Suite 108 Blainville QC J7C 0B5	(450) 420-0778	(450) 420-0779	sylvie.desjardins@desjardins.com agence_desjardins@qc.aira.com
SASKATCHEWAN		Westcan Mechanical Sales	1349 Wallace Street Regina Saskatchewan S4N 3Z5	(306)-347-2700	(306)-359-3515	westcanmechanical@sasktel.net

FOR OTHER ADDITIONAL BOILER EQUIPMENT AND CONTROLS - SEE SECTION 5

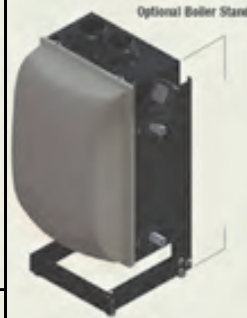
BOILER MODEL	INPUT MBH	D.O.E. HEATING CAPACITY	Net I=B=R WATER RATINGS MBH	DOE A.F.U.E. %	VENT DIAMETER INCHES	SHP WGT	PART NUMBER
ECO-70	70	65	57	95.2	2"/3"	117	383-800-000
ECO-110	110	101	88	95.0	2"/3"	117	383-800-001
ECO-155	155	143	124	95.1	3	130	383-800-002

Standard Equipment

BOILER
 Stainless Steel Heat Exchanger
 30 PSI ASME Relief Valve
 Drain Valve
 Stainless Steel Burner
 Direct Spark Ignition
 Variable Speed Blower Assembly
 Venturi Mixing System with Air Silencer
 Negative Pressure Regulated Gas Valve
 50 VA Transformer
 Dual Scale Temp. & Pressure Gauge
 Outlet Water Temp. Sensor
 Inlet Water Temp. Sensor
 Flue Gas Temp. Sensor
 Outdoor Temp. Sensor
 Sentinel X100 Inhibitor and Test Kit

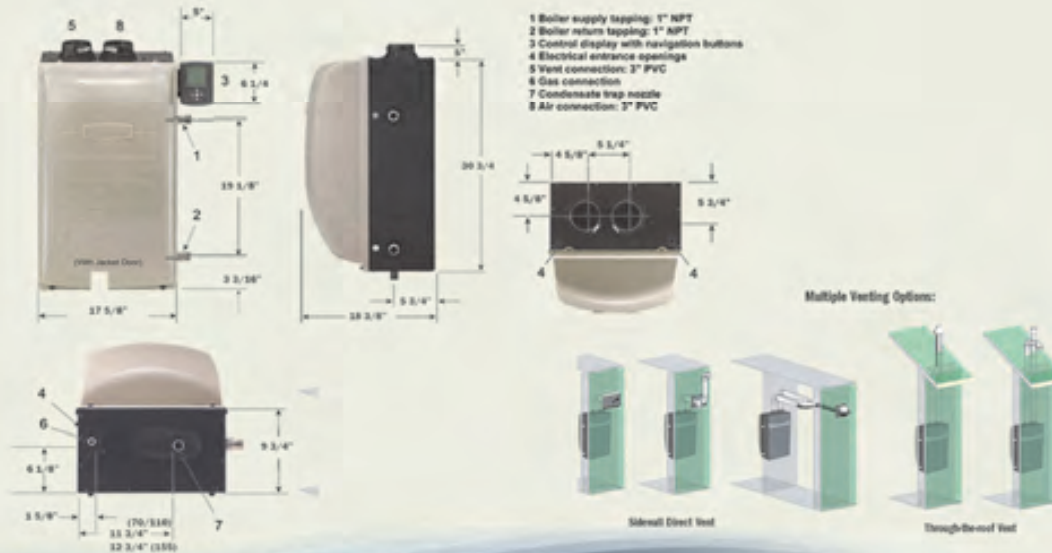
ADDITIONAL BOILER EQUIPMENT

ECO BOILER KITS	PART NUMBER
Composite Circulator UPS15-58RU 3 Speed, 115 Volt	111-GRF-001
1/2" Sweat Fitting for RU Circulator with Check Valve	111-GRF-002
3/4" Sweat Fitting for RU Circulator with Check Valve	111-GRF-003
Concentric Vent Kit PVC 2"	111-AQU-031
Concentric Vent Kit PVC 3"	111-AQU-030
L.W.C.O. Kit. 24 Volt Quick Connect	511-100-005
Condensate Neutralizer Kit	383-500-631
Sidewall Vent/Term. PVC	383-500-397
Sidewall Vent/Term. AL294C	382-200-430
Maintenance Kit ECO 70/ 110	383-700-165
Maintenance Kit ECO 155	383-700-200
ECO Boiler Stand Kit	383-800-101
Additional Extended Warranty:	Contact Customer Service for Details or Visit www.weil-mclain.ca



CONTROL MODULE
 3.5" LCD Display
 Central Heat Circulator Control
 DHW Circulator Control w/ Priority
 Ignition Control
 High Limit & Modulating Temp. Control
 Outdoor Reset
 Freeze Protection
 Circulator Exercising

COMPLETE JACKET ASSEMBLY WITH Fully Removable Jacket Front Door
 Mounting Bracket
 Condensate Trap
 Propane Conversion Orifice



In the interest of continual improvements in product and performance, Weil-McLain reserves the right to change specifications without notice.

WM97+^{CT}

Wall Mount Gas Boiler



BOILER NUMBER (1)	C.S.A. INPUT B.T.U./HR	DOE HEATING CAPACITY B.T.U./HR	DOE A.F.U.E. %	VENT SIZE	MINIMUM BOILER LOOP PIPE SIZE	SHP WGT	PART NUMBER
WM97+ 70 CT	70,000	65,000	97.3%	2"/3"	1"	136	383-700-003
WM97+ 110 CT	110,000	101,000	97.0%	2"/3"	1"	136	383-700-004
WM97+ 155 CT	155,000	143,000	97.2%	3"	1 1/4"	162	383-700-005

(1) For elevations between 2,000 and 4,500 ft. above sea level, rating should be reduced by 10%.

Meets Energy Star Guidelines

ADDITIONAL BOILER EQUIPMENT

WM97+ KITS	PART NUMBER
Concentric Vent Kit PVC 2"	111-AQU-031
Concentric Vent Kit PVC 3"	111-AQU-030
Condensate Neutralizer Kit	383-500-631
Maintenance Kit 70/110	383-700-165
Maintenance Kit 155	383-700-200
Aqua Logic Companion Water Heater	633-800-513
Sidewall Vent/ Term. PVC	383-500-397
Adjustable Floor Stand	383-800-102
Additional Extended Warranty:	Contact Customer Service for Details or Visit www.weil-mclain.ca



Aqua Logic Companion Water Heater

Standard Equipment

- 30 PSI ASME Relief Valve
- Drain Valve
- Stainless Steel Burner
- Outlet Water Temp Sensor
- Inlet Water Temp Sensor
- Flue Gas Temp Sensor
- Outdoor Temp Sensor
- Built in Primary/Secondary Piping Option
- Built in Expansion Tank
- Indirect-Fired Water Heater Connections
- Low Water Cutoff with Manual Reset and Test Button
- Inhibitor

Control Module

- 3.5" LCD Display
- Three Zone Circulator Control with Optional Domestic Hot Water Priority
- Alarm Control Functionality
- Outdoor Reset

Internal Boiler Circulator *

- 007 TACO with 1" Flanges (70)
- 0015 TACO with 1" Flanges (110)
- 0015 TACO with 1" Rotated Flanges (155)

- Mounting Bracket
- Sidewall Vent/Air Termination Kit**
- On/Off Power Switch
- Condensate Trap
- Propane Conversion Orifice

*Circulator supplied with boiler cannot be removed and cannot be used as a zone circulator in multiple zone systems.

**Includes inside and outside plates, vent cap and hardware.



Dimensions Noted are for the WM97+ 70 & 110 Only.



Installation Flexibility with Multiple Venting Options



In the interest of continual improvements in product and performance, Weil-McLain reserves the right to change specifications without notice.

FOR OTHER ADDITIONAL BOILER EQUIPMENT AND CONTROLS - SEE SECTION 5

BOILER MODEL	INPUT MBH	D.O.E. HEATING CAPACITY	NET AHRI RATINGS MBH	DOE A.F.U.E. %	VENT DIAMETER INCHES	SHP WGT	PART NUMBER
EVG-220	220	206	179	95.0	3"/4"	215	383-900-000
EVG-299	299	280	243	95.0	4"	260	383-900-001
(1) EVG-399	399	383	333	96.5	4"	260	383-900-002

(1) Evergreen 399 Ratings are Gross Output & Combustion Efficiency.

ADDITIONAL BOILER EQUIPMENT

ECO BOILER KITS	PART NUMBER
Wall-mount kit	383-900-074
Condensate neutralizer kit	383-500-631
80 psig relief valve and gauge kit	383-900-082
PVC Concentric 3" Vent Kit	111-AQU-030
PVC Concentric 4" Vent Kit	111-AQU-029
Sidewall Vent Termination Kit (3" PVC, EVG 220)	383-500-397
Sidewall Vent Termination Kit (4" PVC vent)	383-500-398
Evergreen inspection kit	383-900-097
Evergreen 220 Maintenance Kit	383-900-071
Evergreen 299 Maintenance Kit	383-900-072
Evergreen 399 Maintenance Kit	383-900-088
Software Upgrade Kit: Modem to BacNET	383-600-322
Software Upgrade Kit: Lanworks	383-600-332
24v L.W.C.O kit	511-100-005
Additional Extended Warranty:	Contact Customer Service for Details or Visit www.weil-mclain.ca

Standard Equipment

Boiler

Stainless steel fire-tube heat exchanger Floor standing or wall-mount option with kit Natural or LP Gas
 Negative regulated combustion
 10 to 1 turndown ratio
 Boiler circulator
 Propane conversion kit
 Low water cut-off
 Sentinel X100 Inhibitor and Test Kit
 Low NOx < 20 PPM

Control features

Easy Set-up with Control Wizard
 Zone and/or Priority Based Control
 Three Thermostat inputs
 Outdoor reset for each priority
 Rate adjustable per priority
 0-10V Input (modulation or setpoint)
 Four total Outputs
 • 1 dedicated boiler circulator output
 • 3 additional outputs can be used with circulators, dampers, or system aux
 Aux Inputs – Flow Switch or End Switch
 Aux Outputs – System Pump or Damper
 Modbus Connectivity
 Additional heat demand contact

Boiler Circulators

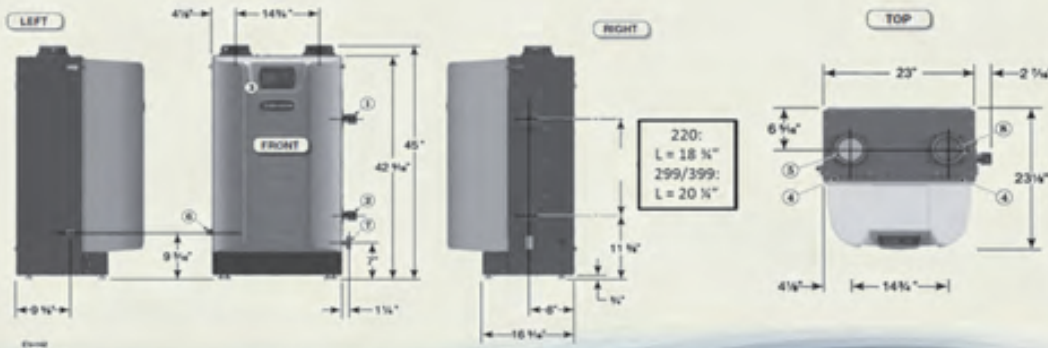
1-1/4" & 1-1/2" flanges (220/299) Taco 0014
 1-1/4" & 1-1/2" flanges (399) Taco 0013

Multiple Boiler Features

Up to 8 Boilers, Multiple System Series, Parallel, or Smart Sequencing
 Lead Boiler Rotation
 2 Network Priorities per Boiler
 2 Local Priorities per Boiler
 24 Zone Inputs and Outputs with 8 total cascaded boilers
 Aux Inputs – Flow Switch or End Switch
 System Aux Outputs – System Pump or Damper

Jacket Assembly

Easy maintenance with top access panel
 Fully Removable Jacket Front Door
 Adjustable Boiler Legs
 On/Off Power Switch
 Line Voltage Service Receptacle
 Mounting Bracket ready for wall-mount kit



In the interest of continual improvements in product and performance, Weil-McLain reserves the right to change specifications without notice.

Ultra

Series 3 CT

WALL MOUNT WATER BOILER



BOILER NUMBER	C.S.A. MAX INPUT B.T.U./HR	C.S.A. MIN INPUT B.T.U./HR	DOE HEATING CAP B.T.U./HR	DOE A.F.U.E. %	VENT SIZE	MINIMUM BOILER LOOP PIPE SIZE	SHP WGT	PART NUMBER
80	80,000	16,000	71,000	95.2%	2"/3"	1"	199	383-500-700
105	105,000	21,000	94,000	95.3%	2"/3"	1"	207	383-500-702
155	155,000	31,000	139,000	95.6%	3"	1 1/4"	234	383-500-703
230	230,000	46,000	207,000	95.4%	3"/4"	1 1/4"	246	383-500-704
299	299,000	62,000	270,000	96.4%	4"	1 1/2"	297	383-500-705
(1) 310	310,000	62,000	289,000*	93.3%	4"	1 1/2"	297	383-500-710
(1) 399	399,000	80,000	365,000 *	91.7%	4"	1 1/2"	297	383-500-706

(1) Ultra 310 & 399 ratings are gross output and combustion efficiency

Standard Equipment

Limited 12 Year Heat Exchanger Warranty
 Ultra Homeowner Protection Plan :
 -5 Years Parts & Labor Ultra 80-310
 (Residential-See www.weil-mclain.ca for
 Additional Warranty/Registration information)
 Cast Aluminum Block
 30 PSI ASME Relief Valve
 Drain Valve
 Stainless Steel Woven Steel Fiber Mesh
 Burner
 Natural Gas Field Convertible to Propane
 Condensate Drain Trap with Drain Tee
 Assembly
 Inhibitor
 Gas/Air Ratio Venure with Air Silencer
 Full Modulation Firing with 5:1 Turndown
 Ratio
 Outlet Water Temperature Sensor
 Flue Gas Temperature Sensor
 Outdoor Air Temperature Sensor
 System Water Temperature Sensors
 Combination Pressure-Temperature Gauge
 Adjustable Boiler Legs
 Vent/Air Termination Plate
 Vent Termination Bird Screen
 On/Off Power Switch
 Line Voltage Service Receptacle

ADDITIONAL BOILER EQUIPMENT

DESCRIPTION	PART NUMBER
Ultra Cleaning Tool	591-706-200
Maintenance Kit Ultra 80-105	383-500-605
Maintenance Kit: 155-399	383-500-620
L.W.C.O 24 Volt Kit	511-100-005
Wall Mount Kit (All Sizes)	389-900-180
Easy-Up Manifold 1- 1/4"	383-500-649
Easy-Up Manifold 1- 1/2"	383-500-661
PVC Concentric Vent Kit (4" only)	111-AQU-029
PVC Concentric Vent Kit (3" only)	111-AQU-030
Ultra Neutralizer Kit (525 MBH)	383-500-631
Inhibitor Sentinel X-100 Tube	592-900-002
Antifreeze, Aluminum Safe Sentinel X-500 4L	592-900-004
Cleaner, Sentinel X-400 Tube	592-900-003
Test Kit Inhibitor	592-900-005

Control Module

3.5" LCD Display
 Multiple Boiler Functionality with Alarm Control
 High Limit & Modulating Temp Control
 Low Water Protection
 Outdoor Reset
 Three Boiler Priorities with Multiple Pre-Sets
 Three Pump Control Capability

Boiler Circulator

007 TACO with 1" Flanges
 (80, 105)
 0014 TACO with 1" and 1 1/4" Flanges
 (155, 230)
 0014 TACO with 1 1/4" and 1 1/2" Flanges
 (299, 310)
 0013 TACO with 1 1/4" and 1 1/2" Flanges
 (399)



In the interest of continual improvements in product and performance, Weil-McLain reserves the right to change specifications without notice.

FOR OTHER ADDITIONAL BOILER EQUIPMENT AND CONTROLS - SEE SECTION 5

GV90+

HIGH EFFICIENCY GAS BOILER



BOILER NUMBER (1)	C.S.A. INPUT B.T.U./HR	DOE HEATING CAPACITY B.T.U./HR	DOE A.F.U.E. %	VENT SIZE	MINIMUM BOILER LOOP PIPE SIZE	SHP WGT	PART NUMBER
GV90+ - 3	70,000	65,000	91.9%	3"	1"	313	382-200-610
GV90+ - 4	105,000	97,000	91.2%	3"	1"	353	382-200-611
GV90+ - 5	140,000	130,000	91.4%	3"	1 1/4"	423	382-200-612
GV90+ - 6	175,000	161,000	91.0%	3"	1 1/4"	464	382-200-613

(1) For elevations between 2,000 and 4,500 ft. above sea level, rating should be reduced by 10%

Boilers may be vented with 3" Stainless Steel or 3" ULCS636 PVC Pipe

Meets Energy Star Guidelines

ADDITIONAL BOILER EQUIPMENT

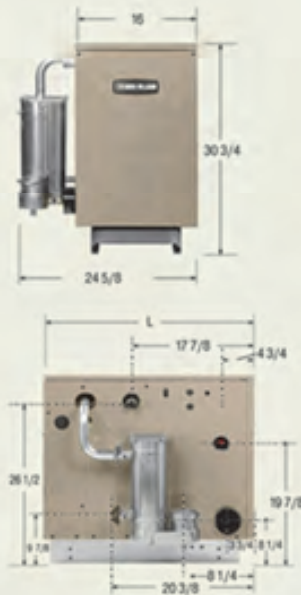
DESCRIPTION	PART NUMBER
Vent Termination Kit, 3-Inch S.S. AL294C	382-200-430
Adapter - 3 inch AL294C Z-Vent	560-907-723
Vent Termination Kit PVC	383-500-397
PVC Concentric Vent Kit - 3 inch	111-AQU-030
Condensate Neutralizer Kit	383-500-631
Zone Interface Harness	381-356-585
Outdoor Reset Kit	381-356-586

Standard Equipment

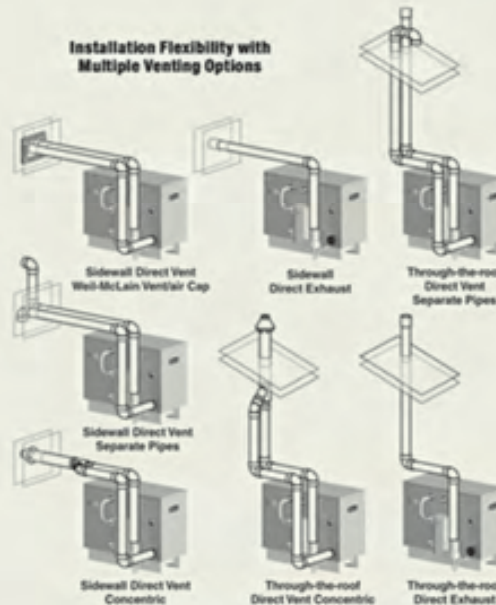
- Factory Tested
- Insulated Extended Steel Jacket
- Cast Iron Sections With Built-In Air Separator
- Stainless Steel Secondary Heat Exchanger With Air Separator
- Steel Base
- Control Module With Indicator Lights
- Blower Assembly with Observation Port
- Gas/Air Manifold Assembly
- Gas/Air Orifice Plate for Natural Gas (separate plate furnished for conversion to propane)
- Stainless Steel Burner Cone and Ring Assembly
- Negative Regulation Gas Valve
- Hot Surface Ignition System
- Air Pressure Switch
- System Circulator*
- Built-in-Bypass Circulator System with Sensor For Temperature Control*
- Condensate Drain Trap
- Sidewall Vent Verrmination Kit**
- 40VA Transformer
- Electrical Junction Box
- 30 PSI ASME Relief Valve (Boiler sections & Second Heat Exchanger Tested for 50 PSI Working Pressure)
- Water Temperature Limit Switch
- Section Block Temperature Limit Switch
- Combination Pressure-Temperature Gauge
- Drain Valve
- Flue Thermal Fuse
- Water Treatment - Inhibitor & Test Kit

*Circulators supplied with boiler cannot be removed and cannot be used as a zone circulator in multiple boiler systems.

**Includes Inside and Outside Plates, Vent Cap and Hardware.



Installation Flexibility with Multiple Venting Options



In the interest of continual improvements in product and performance, Weil-McLain reserves the right to change specifications without notice.

FOR OTHER ADDITIONAL BOILER EQUIPMENT AND CONTROLS - SEE SECTION 5

SLIMFIT

COMMERCIAL CONDENSING GAS BOILER

BOILER NUMBER	C.S.A. MAX INPUT B.T.U./HR	C.S.A GROSS OUTPUT	NET AHRI RATING (MBH)	THERMAL EFFICIENCY	COMBUSTION EFFICIENCY	I-B-R CHIMNEY SIZE VENT DIA. INCHES	SHP WGT	PART NUMBER
SF550	550,000	517,000	445,000	93.9	94.7	6	505	383-600-010
SF750	750,000	702,000	605,000	93.6	94.0	6 OR 8	550	383-600-011

NOTE: CIRCULATOR IS NOT INCLUDED. TACO 2400-50 IS RECOMMENDED.

ADDITIONAL BOILER EQUIPMENT

DESCRIPTION	PART NUMBER
Relief Valve #50	383-600-064
Relief Valve #80	383-600-065
Intake Air Filter Kit Direct Vent	383-600-080
SlimFit 550/ 750 Maintenance Kit	383-600-079
Inhibitor X-100	592-900-002
Antifreeze Aluminum Safe Sentinel X-500 4 Litre	592-900-004
Software Upgrade Kit: Modbus to BacNET	383-600-322
Software Upgrade Kit: Lonworks	383-600-332
Cleaner Sentinel X-400	592-900-003
Test Kit Inhibitor	592-900-005
Taco 2400-50 Circulator (2" Flange Set Included)	111-TAC-050
Neutralizer Kit (1000 MBH)	383-600-076
Heat Exchanger Cleaning Tool	591-706-201

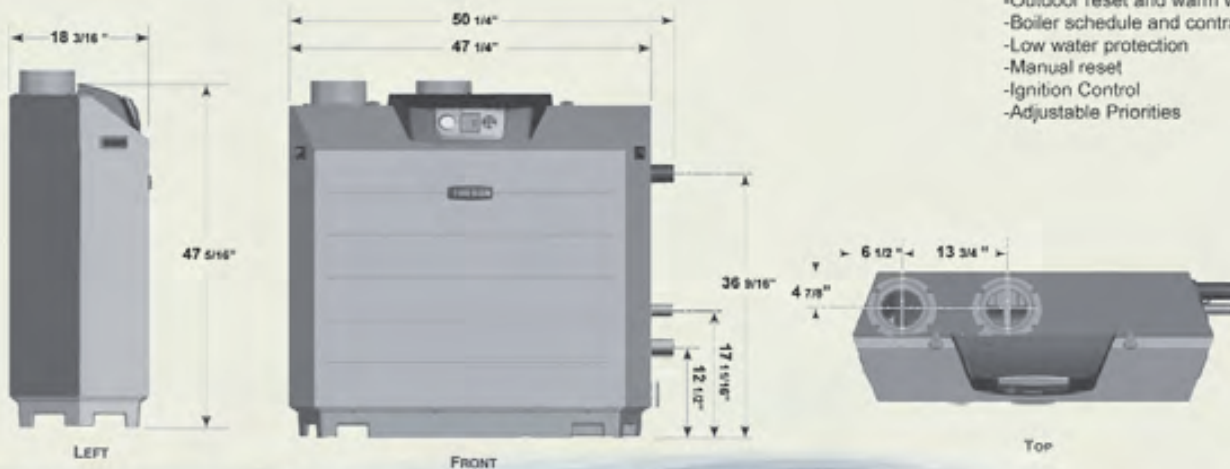
Standard Equipment

Sectional Aluminum Block
 30 PSI ASME Relief Valve Standard Optional
 50 & 80 PSI
 Stainless Steel Burner With Woven Steel Fiber Mesh
 Direct Spark Ignition
 Variable Speed Blower Assembly
 Venture Mixing System with Air Silencer
 Negative Pressure Regulated Gas Valve
 Dual Scale T&P Gauge
 Outlet Water Temp. Sensor
 Inlet Water Temp. Sensor
 Flue Gas Temp. Sensor
 Outdoor Temp. Sensor
 System Water Temp. Sensors
 Integrated Drain in Vent Adapters

CSD-1 Compliant:
 Manual Reset LWCO
 High & Low Gas Pressure Switches
 Manual Reset High Limit
 UL 353 Certified U-Control

Complete Jacket Assembly With:
 Fully Removable Jacket Front
 On/Off Power Switch
 Line Voltage Service Receptacle
 Condensate Trap with Drain Assembly
 Propane Conversion Orifice
 Vent Screens

Features of Smart Controls:
 -Intuitive, color coded display
 -Simple set up (predetermined settings) or fully customized functions
 -Multiple boilers and up to four circulators
 -Alarm Functionality
 -High limit and modulating temperature control
 -Outdoor reset and warm weather shutdown
 -Boiler schedule and contractor information
 -Low water protection
 -Manual reset
 -Ignition Control
 -Adjustable Priorities



In the interest of continual improvements in product and performance, Weil-McLain reserves the right to change specifications without notice.

FOR OTHER ADDITIONAL BOILER EQUIPMENT AND CONTROLS - SEE SECTION 5

SLIMFIT

COMMERCIAL CONDENSING GAS BOILER

BOILER MODEL	C.S.A. MAX INPUT M.B.H.	C.S.A GROSS OUTPUT M.B.H.	NET AHRI RATINGS	COMBUSTION EFFICIENCY	THERMAL EFFICIENCY	AHRI VENT SIZE	PART NUMBER
SF1000 LH	1000	958	833	96.1	95.8	6" or 8"	383-600-012
SF1000 RH	1000	958	833	96.1	95.8	6" or 8"	383-600-015
SF1500 LH	1500	1437	1250	95.9	95.8	6" or 8"	383-600-013
SF1500 RH	1500	1437	1250	95.9	95.8	6" or 8"	383-600-016
SF2000 LH	2000	1906	1657	95.8	95.3	8"	383-600-014
SF2000 RH	2000	1906	1657	95.8	95.3	8"	383-600-017

ADDITIONAL BOILER EQUIPMENT

SLIMFIT KITS	PART NUMBER
Pressure Relief Valve 50 PSI	383-600-101
Pressure Relief Valve 80 PSI	383-600-299
Pressure Relief Valve 100 PSI	383-600-298
Outdoor Reset Kit. (Single Boiler)	383-600-297
Software Upgrade Kit: Modbus to BacNET	383-600-322
Software Upgrade Kit: Lonworks	383-600-332
Condensate Neutralizer Kit	383-600-287
10-6" Vent/ Air Adapter CPVC/ PVC	560-907-739
10-8" Vent/ Air Adapter CPVC/ PVC	560-907-738
Annual Maintenance Kit	383-600-225
Heat Exchanger Cleaning Tool	591-706-201

Standard Equipment

Boiler:

Sectional Aluminum Block
30 PSI ASME Relief Valve Standard
Stainless Steel Burner with Woven Steel Fiber Mesh
Direct Spark Ignition
Variable Speed Blower Assembly
Venturi Mixing System
Negative Pressure Regulated Gas Valve
50 VA Transformer
Temperature & Pressure Gauge
Outlet Water Temp. Sensor
Inlet Water Temp. Sensor
Flue Gas Temp. Sensor
Outdoor Temp. Sensor
System Water Temp. Sensor
10 YR Heat Exchanger Warranty
2 YR Parts Warranty

Advanced Control System

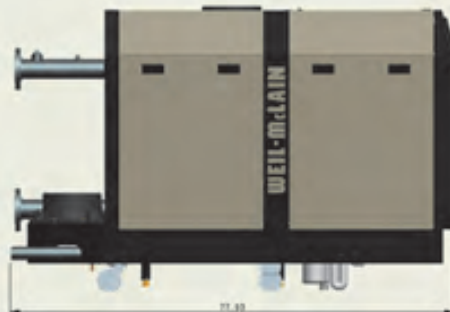
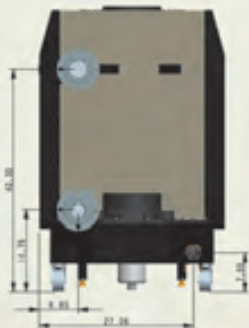
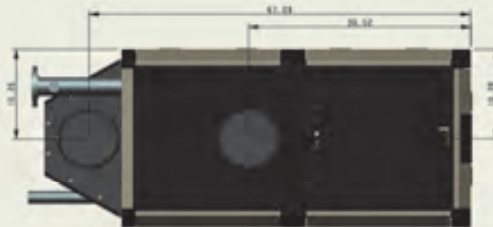
7" Color LCD Touchscreen Display
Labeled Terminal Blocks for Field Terminations
Ignition Control
High Limit & Modulating Temp. Control
Ability to Control any Combination of Three Circulators
Alarm Control Functionality
Preset Operating Parameters include Typical Heating Systems
Two Adjustable Boiler Priorities
Multiple Boiler Functionality with Lead/Lag Capability
Lead Boiler Rotation
Low Water Protection
Manual Reset
Outdoor Reset
Warm Weather Shutdown
Freeze Protection
Mod Bus Standard; BacNet Optional

Complete Jacket Assembly with:

Fully Removable Jacket
On/Off Power Switch
Manual Reset Push Button
Condensate Tray with Drain Tee Assembly

CSD-1 Compliant

Manual Reset LWCO
Manual Reset High & Low Gas Pressure Switches
Manual Reset High Limit
UL 353 Certified Control



SLIMFIT - SF1000L/SF1500L

In the interest of continual improvements in product and performance, Weil-McLain reserves the right to change specifications without notice.

FOR OTHER ADDITIONAL BOILER EQUIPMENT AND CONTROLS - SEE SECTION 5

BOILER NUMBER (1)	C.S.A. INPUT B.T.U./HR	DOE HEATING CAPACITY B.T.U./HR	DOE A.F.U.E. %	VENT SIZE	MINIMUM BOILER LOOP PIPE SIZE	SHP WGT	PART NUMBER
CGi-25-PIN	50,000	42,000	84.0%	4"/3"	3/4"	200	381-357-857
CGi-3-PIN	60,000	51,000	85.1%	4"/3"	1"	200	381-357-859
CGi-4-PIN	90,000	76,000	85.0%	5"/3"	1"	245	381-357-861
CGi-5-PIN	119,000	100,000	83.3%	5"/3"	1 1/4"	290	381-357-865
CGi-6-PIN	167,000	140,000	83.3%	5"/3"	1 1/4"	335	381-357-867
CGi-7-PIN	200,000	167,000	83.0%	5"/3"	1 1/4"	390	381-357-869
CGi-8-PIN	233,000	194,000	82.7%	5"/3"	1 1/2"	420	381-357-871

(1) For elevations between 2,000 to 4,500 ft. above sea level, rating should be reduced by 10% and the boiler designated with the prefix "A" (Example: ACGi-3-PIN).

Boiler can be vented directly outside using 3" AL29-4C Stainless Steel vent pipe (see Boiler Manual)

Meets Energy Star Guidelines CGI-3 & CGI4

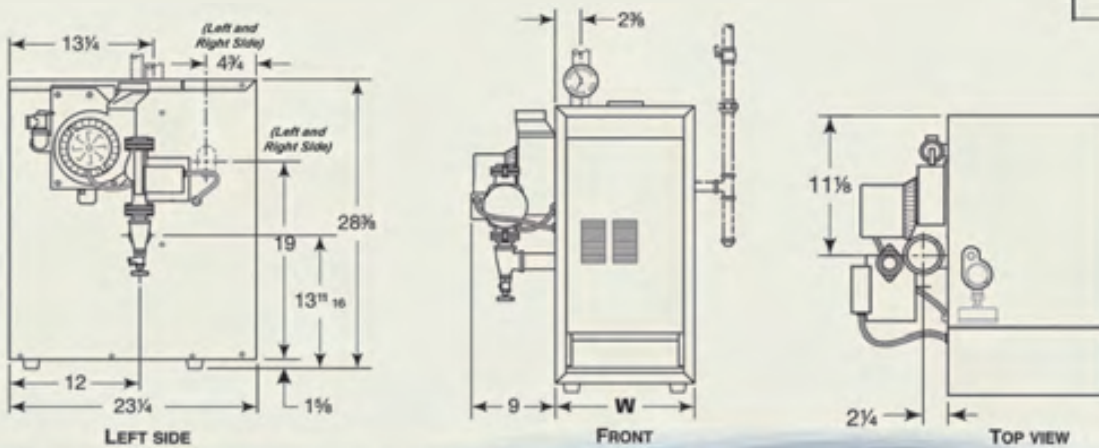
Standard Equipment

- Cast Iron Sections
- Built-in Air Separator
- Integrated Control Module
- Intermittent Electronic Ignition System
- 30 P.S.I. ASME Relief Valve
- Flue Gas Collector/Transition Assembly
- Induced Draft Assembly
- Air Pressure Switch
- Rollout Thermal Fuse
- High Limit Temperature Control
- Combination Pressure-Temperature Gauge
- Drain Valve

ADDITIONAL BOILER EQUIPMENT

DESCRIPTION	PART NUMBER
50 P.S.I Relief Valve Available Upon Request	N.P.N
CGi & CGs Starter (Z VENT) 3" Dia.	699-999-073
CGi & CGs Horizontal Drain Tee (Z VENT) 3" Dia.	699-999-074
Nat. To Propane Conversion Kit (CGi-25)	510-811-260
Nat. To Propane Conversion Kit (CGi-3&5)	510-811-262
Nat. To Propane Conversion Kit (CGi-4)	510-811-264
Nat. To Propane Conversion Kit (CGi-6)	510-811-266
Nat. To Propane Conversion Kit (CGi-7&8)	510-811-268
Zone Interface Harness	381-356-585
Outdoor Reset Kit	381-356-586

Boiler model number	"W" Jacket width (inches)
CGi-25	10
CGi-3	10
CGi-4	13
CGi-5	16
CGi-6	19
CGi-7	22
CGi-8	25



In the interest of continual improvements in product and performance, Weil-McLain reserves the right to change specifications without notice.

BOILER NUMBER	C.S.A. INPUT B.T.U./HR	DOE HEATING CAPACITY B.T.U./HR	DOE A.F.U.E. %	MINIMUM BOILER LOOP PIPE SIZE	SHP WGT	CHIMNEY SIZE	PART NUMBER
CGa-25-PIDN	52,000	44,000	84.0%	3/4"	200	4" I.D. x 20'	381-357-801
CGa-3-PIDN	70,000	59,000	84.0%	1"	200	4" I.D. x 20'	381-357-803
CGa-4-PIDN	105,000	88,000	84.0%	1"	240	5" I.D. x 20'	381-357-805
CGa-5-PIDN	140,000	117,000	83.5%	1"	280	6" I.D. x 20'	381-357-807
CGa-6-PIDN	175,000	146,000	83.2%	1 1/4"	325	6" I.D. x 20'	381-357-809
CGa-7-PIDN	210,000	175,000	83.0%	1 1/4"	370	7" I.D. x 20'	381-357-811
CGa-8-PIDN	245,000	204,000	82.7%	1 1/2"	425	7" I.D. x 20'	381-357-825

Standard Equipment

Cast Iron Sections
 Built-in Air Separator
 Intergrated Control Module
 Intermittent Electronic Ignition System
 30 P.S.I. ASME Relief Valve
 Combination Pressure-Temperature Gauge
 Drain Valve
 High-Limit Temperature Control
 Boiler Drain Cock
 Spill Switch
 Vertical Draft Hood
 Combination 24V Gas Valve and Pressure Gauge
 Plug-In Circulator Relay
 Rollout Thermal Fuse Element
 Automatic Vent Damper

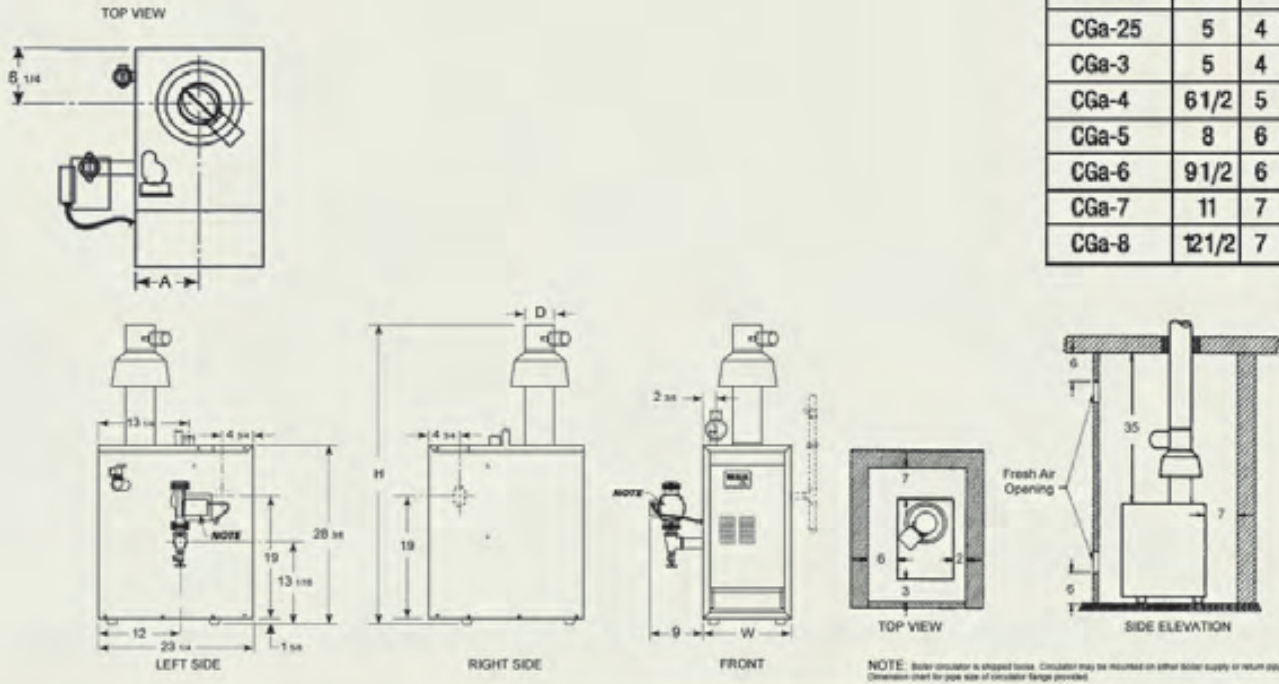
ADDITIONAL BOILER EQUIPMENT

DESCRIPTION	PART NUMBER
CGA 25-7 Series # 2. Nat-LP Conversion Kit	510-811-938
CGA 8 Series # 2 Nat-LP Conversion Kit	510-811-939
50 P.S.I. Relief Valve Available Upon Request	N.P.N.
Zone Interface Harness	381-356-585
Outdoor Reset Kit	381-356-586

Boiler Designations:

PIDL - Intermittent Electric Pilot-Propane - With Damper
 PIDN - Intermittent Electronic Pilot - Natural Gas Only - With Damper (84.0%)

Model	Dimensions Inches			
	A	D	W	H
CGa-25	5	4	10	45 3/8
CGa-3	5	4	10	52 3/8
CGa-4	6 1/2	5	13	54 3/8
CGa-5	8	6	16	57 7/8
CGa-6	9 1/2	6	19	60 7/8
CGa-7	11	7	22	62 1/8
CGa-8	12 1/2	7	25	64 7/8



In the interest of continual improvements in product and performance, Weil-McLain reserves the right to change specifications without notice.

FOR OTHER ADDITIONAL BOILER EQUIPMENT AND CONTROLS - SEE SECTION 5

BOILER NUMBER (1)(3)	C.S.A. INPUT MBH	DOE HEATING CAPACITY MBH	NET AHRI RATINGS				SHP WGT	PART NUMBER (WATER)	PART NUMBER (STEAM)
			STEAM MBH	STEAM SQ. FT.	WATER MBH	WATER SQ. FT. (2)			
EG-35-PIDN	100.0	83	62	258	73	467	410	118-351-300	118-354-300
EG-40-PIDN	125.0	104	78	325	91	587	500	118-401-300	118-404-300
EG-45-PIDN	150.0	125	94	392	110	707	500	118-451-300	118-454-300
EG-50-PIDN	175.0	145	109	454	128	820	590	118-501-300	118-504-300
EG-55-PIDN	200.0	167	125	521	146	947	590	118-551-300	118-554-300
EG-65-PIDN	250.0	209	157	654	183	1,180	680	118-651-300	118-654-300
EG-75-PIDN	299.0	247	185	750	217	1,393	755	118-751-300	118-754-300

- (1) Insert S for Steam and W for Water
 (2) Based upon average water temperature or 170 °F in radiators.
 (3) For elevations between 2,000 and 4,500 ft. above sea level, rating should be reduced by 10% and the boiler should be designated with the prefix "A". Example: (AEG-35-PIDN-W)

ADDITIONAL BOILER EQUIPMENT

DESCRIPTION	PART NUMBER
Tankless Heater Openings (With Cover Plate)	N.P.N.
EG Water or Steam - One Tankless Heater	
Opening in place of Standard Section	
Tankless Heater Water E-624 (EG35-45)	590-921-904
Tankless Heater Water E-626 (EG50-55)	590-921-905
Tankless Heater Water E-632 (EG65-75)	590-921-901
Tankless Heater Steam 35- S-29 (All Sizes)	386-700-350

Standard Equipment

Assembled Section Block
 Horizontal to Vertical Draft Hood
 Combination Gas Valve and Regulator
 Spill Switch (EG-35 thru 65)
 Thermopile
 40VA Transformer

WATER:

High-Limit Control
 Built-in Air Eliminator
 30 P.S.I. A.S.M.E. Relief Valve
 Comb. Pressure Temperature Gauge
 Operating Control (EG-75 Only)

STEAM:

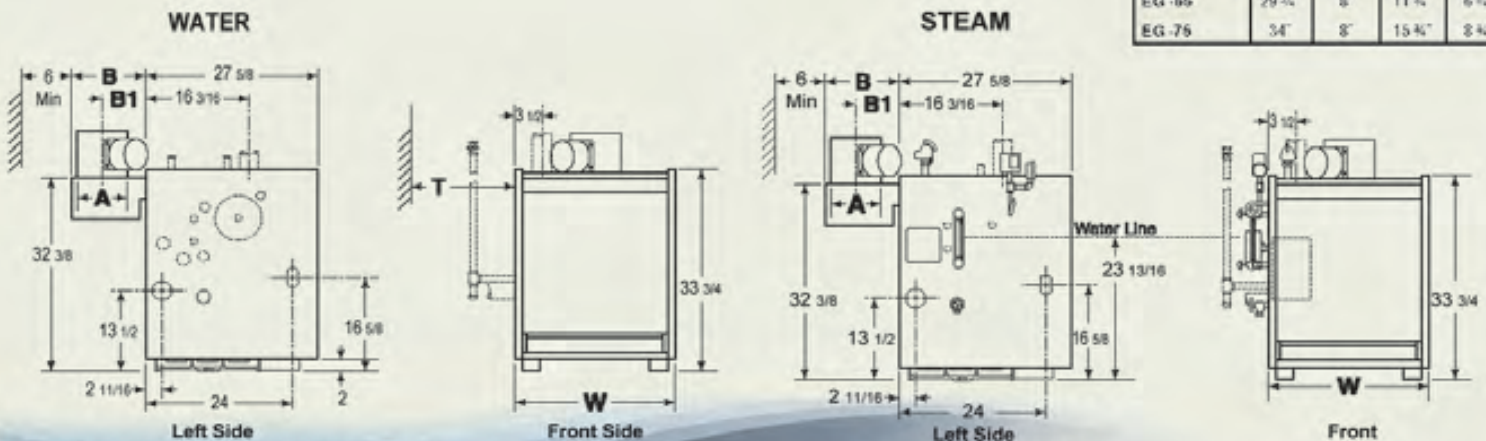
High-Limit Pressure Control
 Steam Pressure Gauge
 A.S.M.E Safety Valve 15 P.S.I.
 Gauge Cocks
 Gauge Glass
 Low Water Cut-Off. 67W-1

Boiler Designations:

PIDN: Intermittent Electronic Pilot; Natural Gas Only; With Damper - Water Efficiency (83.4%) / Steam Efficiency (82.0%)

Standing Pilot Models SPDN/SPDL are available while quantities last. Consult Customer Service.

	W	A	B	B1
EG-30 & -35	17"	5"	11 1/4"	6 1/4"
EG-40 & -45	21 1/4"	6"	11 1/4"	6 1/4"
EG-50 & -55	25 1/2"	7"	11 1/4"	6 1/4"
EG-65	29 1/4"	8"	11 1/4"	6 1/4"
EG-75	34"	8"	15 1/4"	8 1/4"



In the interest of continual improvements in product and performance, Weil-McLain reserves the right to change specifications without notice.

BOILER NUMBER (1)	C.S.A. INPUT MBH	GROSS OUTPUT MBH	NET AHRI RATINGS		SHP WGT	PART NUMBER (STEAM)
			STEAM MBH	STEAM SQ. FT.		
EGH-85-PIN	315	243	182	760	870	100-000-154
EGH-95-PIN	360	278	208	868	960	100-000-155
EGH-105-PIN	405	312	234	977	1040	100-000-156
EGH-115-PIN	450	347	260	1085	1135	100-000-157
EGH-125-PIN	495	382	286	1193	1215	100-000-158

(1) For elevations between 2,000 and 4,500 ft. above sea level, rating should be reduced by 10% and the boiler should be designated with the prefix "A". Example: (AEGH-85-PIN)

Standard Equipment

Assembled Section Block
Horizontal to Vertical Draft Hood
Combination Gas Valve and Regulator
Firing Valve and Pilot Reg (EGH-85 to 125)
Intermittent Electronic Pilot (EGH-85 to 125)

STEAM:

High-Limit Pressure Control
Steam Pressure Gauge
A.S.M.E. Safety Valve 15 P.S.I
Gauge Cocks
Gauge Glass
Low Water Cut-Off 67W-1
Operating Pressure Control (EGH-85 & 95)

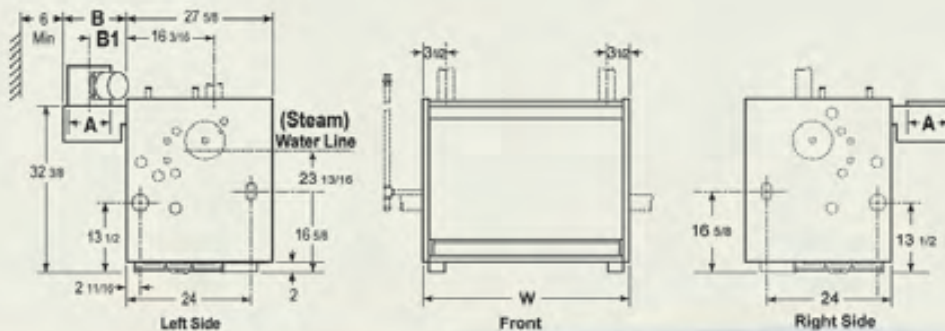
BOILER DESIGNATIONS

PIL: Intermittent Electronic
Ignition; Propane Gas; Without Vent
Damper

PIN: Intermittent Electronic Pilot; Natural
Gas Only - With or Without Vent
Damper

ADDITIONAL BOILER EQUIPMENT

DESCRIPTION	PART NUMBER
Automatic Vent Damper Only - (Nat. Gas only)	
EGH-85-PIN 9 Inch	381-800-445
EGH-95 and 105-PIN 10 Inch	381-800-446
EGH-115 and 125-PIN 12 Inch	381-800-447
EGH-85-95 PIN NAT- LP Conversion Kit	510-811-411
EGH-105-125 PIN NAT- LP Conversion Kit	510-811-412
Tankless Heater Openings (With Cover Plate)	N.P.N
EGH STEAM - Two Tankless Heater	"
Opening in place of Standard Sections	"
Tankless Heater (Steam) 35-S-29	386-700-350



	W	A	B	B1
EGH-85	30 1/4"	9"	15 3/4"	8 3/4"
EGH-95	42 1/2"	10"	15 3/4"	8 3/4"
EGH-105	46 3/4"	10"	15 3/4"	8 3/4"
EGH-115	51"	12"	15 3/4"	8 3/4"
EGH-125	55 1/4"	12"	15 3/4"	8 3/4"

In the interest of continual improvements in product and performance, Weil-McLain reserves the right to change specifications without notice.

FOR OTHER ADDITIONAL BOILER EQUIPMENT AND CONTROLS - SEE SECTION 5

Ultra Oil

HIGH EFFICIENCY OIL BOILER



BOILER NUMBER	INPUT GPH	DOE HEATING CAPACITY MBH	DOE A.F.U.E. %	SHP WGT	PART NUMBER		
					CV-S	CV	DV
UO-3*	1.00	122	86.5%	636	169-031-199	169-031-202	169-031-203
UO-4	1.20	146	86.2%	737	169-031-200	169-031-204	169-031-205
UO-5	1.40	172	86.5%	852	169-031-201	169-031-206	169-031-207

BOILER NUMBER	INPUT GPH	DOE HEATING CAPACITY MBH	DOE A.F.U.E. %	SHP WGT	PART NUMBER	
					CV	DV
UO-3*	1.00	122	86.5%	636	169-031-208	169-031-209
UO-4	1.20	146	86.2%	737	169-031-210	169-031-211
UO-5	1.40	172	86.5%	852	169-031-212	169-031-213

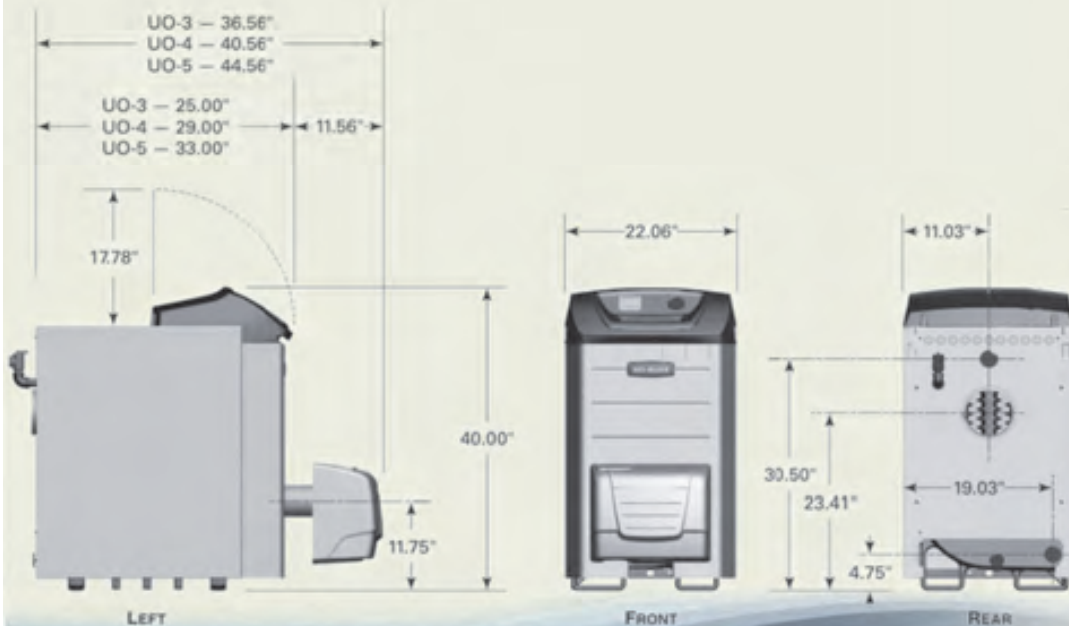
* 0.80 GPH Firing Rate Kit is required to convert UO-3 from 1.0 GPH to 0.80 GPH - Part Number 386-902-007,

Meets Energy Star Guidelines

OPTIONAL BOILER EQUIPMENT

DESCRIPTION	PART NUMBER
*Advanced Features Module (AFM) Kit	386-900-004
Outdoor Sensor	650-000-016
Universal Sensor (2 included in AFM Kit)	650-000-095
50 P.S.I Relief Valve Available Upon Request	N.P.N.

* Note: AFM Kit includes AFM Control, Remote Display Module, Outdoor Sensor, Mixing Device Exercise and 2 Universal Sensors



In the interest of continual improvements in product and performance, Weil-McLain reserves the right to change specifications without notice.

Standard Equipment

Chimney Vented (CV) Package:
 Three-pass Cast Iron Heat Exchanger
 Reversible Swing-away Bruner Door
 Silicone coated Fiberglass Sealing Rope
 Boiler Drain
 30 PSI ASME Relief Valve
 Hinged Control Pod
 Beckett NX Burner with Exclusive Cover
 "New" Riello CV Burners
 "New" Beckett Std. AFG CV Burner
 Temperature/Pressure Gauge
 Factory-wired Terminal Strips with Labeled Wires
 Honeywell L7248 Electronic Aquastat
 Quick Disconnect Burner Plug
 Barometric Damper
 Circulator (Taco 007)
 Service Switch

Direct Vent (DV) Package:
 Same as Chimney Vented (CV) package plus
 Beckett NX Oil Burner DV (in lieu of standard
 NX CV Burner)
 Vent Termination Kit
 15' Flexible Insulated Vent Pipe
 "New" Riello Direct Vent Burner

Optional AFM Kit Features:
 Low Temperature Mixing
 Setpoint Operation
 DHW Priority
 Outdoor Reset
 DWH Post Purge
 Stage Fire Two Boilers
 Minimum Boiler Setting
 Automatic Boiler Differential
 Boiler Protection
 Warm Weather Shutdown
 Freeze Protection
 Mixing Device Exercise
 Pump Exercise
 Test Sequence
 LCD Remote Display
 Run Hours Log
 Plug-In Terminals

FOR OTHER ADDITIONAL BOILER EQUIPMENT AND CONTROLS - SEE SECTION 5

BOILER NUMBER	INPUT GPH	DOE HEATING CAPACITY MBH	DOE A.F.U.E. %	SHP WGT	PART NUMBER	
					w/ Beckett	w/ Riello
P-W*GO-2	.70	86	86.4%	540	100-000-395	100-000-350
P-W*GO-3	.95	115	85.3%	595	100-000-396	100-000-351
P-W*GO-4	1.20	145	85.0%	645	100-000-397	100-000-352
P-W*GO-5	1.45	175	85.0%	760	100-000-398	100-000-353
P-W*GO-6	1.75	212	85.0%	860	100-000-399	100-000-354
P-W*GO-7	2.00	242	85.0%	930	100-000-400	100-000-359
B-W*GO-8	2.30	266	N.A.	1,030	100-000-401	100-000-360
B-W*GO-9	2.55	295	N.A.	1,135	100-000-402	100-000-361

* Substitute "T" when Tankless Heaters are required, and add additional price.

** Net Ratings are based on the piping and pick-up allowance of 1.15. An additional allowance should be made for unusual piping and pick up loads.

Meets Energy Star Guidelines

OPTIONAL BOILER EQUIPMENT

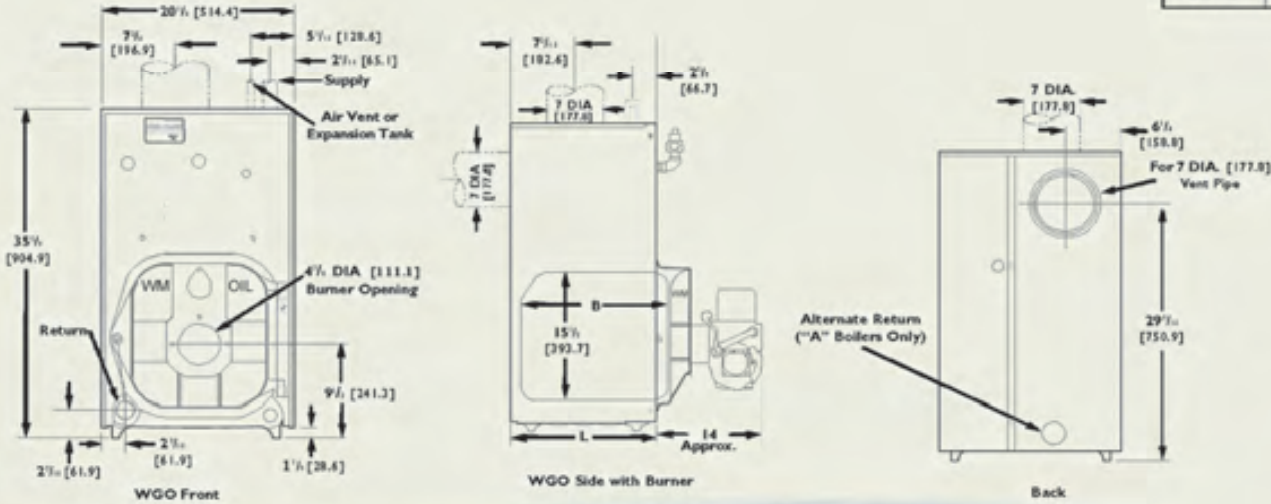
DESCRIPTION	PART NUMBER
45 P.S.I Relief Valve Available Upon Request	N.P.N.
Tankless Heater WT-14 (Size 3 - 6)	590-921-612
Tankless Heater WT-20 (Size 7 - 9)	590-921-610
Flue Brush	591-706-214
Side Wall Venter Kit (SSI-W)	510-312-274
Vent Damper Kit WGO 2RD	381-800-501
Vent Damper Kit WGO/WTGO 3RD	381-800-502
Vent Damper Kit WGO/WTGO 4RD	381-800-503
Vent Damper Kit WGO/WTGO 5RD	381-800-504
Vent Damper Kit WGO/WTGO 6RD	381-800-505
Vent Damper Kit WGO/WTGO 7RD	381-800-506
Outdoor Sensor	383-500-126

Standard Equipment

P-WGO-2 Through P-WGO-6:
 Water Trim Shipped Loose
 Burner
 Convertible Flue (Top or Rear)
 3 Piece Combustion Chamber
 Full Swing-Away Burner Door
 Service Switch Mounted on Junction Box
 Tridicator
 Combination High Limit and Circ. Relay
 Drain Cock
 Balanced Draft Damper
 30 P.S.I. Relief Valve

B-WGO-7 Through B-WGO-9:
 Same as WGO-2 through WGO-6 except
 Section Assembly Only
 Collector Hood

DIMENSIONS - in.		
BOILER MODEL NUMBER	B	L
WGO-2	10 7/8	13 7/8
WGO-3	13 7/8	16 7/8
WGO-4	13 7/8	16 7/8
WGO-5	16 7/8	20
WGO-6	20	23 7/8
WGO-7	23 7/8	26 7/8
WGO-8	26 7/8	29 7/8
WGO-9	29 7/8	32 7/8



In the interest of continual improvements in product and performance, Weil-McLain reserves the right to change specifications without notice.

BOILER NUMBER	INPUT GPH	DOE HEATING CAPACITY MBH	NET I.B.R. RATING STEAM MBH (1) (2)	SHP WGT	PART NUMBER	
					w/ Beckett	w/ Riello
B-SGO-3	.95	114	85	600	100-000-410	100-000-365
B-SGO-4	1.20	144	108	705	100-000-411	100-000-366
B-SGO-5	1.45	174	130	820	100-000-412	100-000-367
B-SGO-6	1.75	210	157	920	100-000-413	100-000-368
B-SGO-7	2.00	240	180	990	100-000-414	100-000-369
B-SGO-8	2.30	266	200	1,090	100-000-415	100-000-370
B-SGO-9	2.55	295	221	1,195	100-000-416	100-000-371

(1) Net Ratings are based on the piping and pick-up allowance of 1.333. An additional allowance should be made for pick up loads.

(2) I-B-R Gross Output.

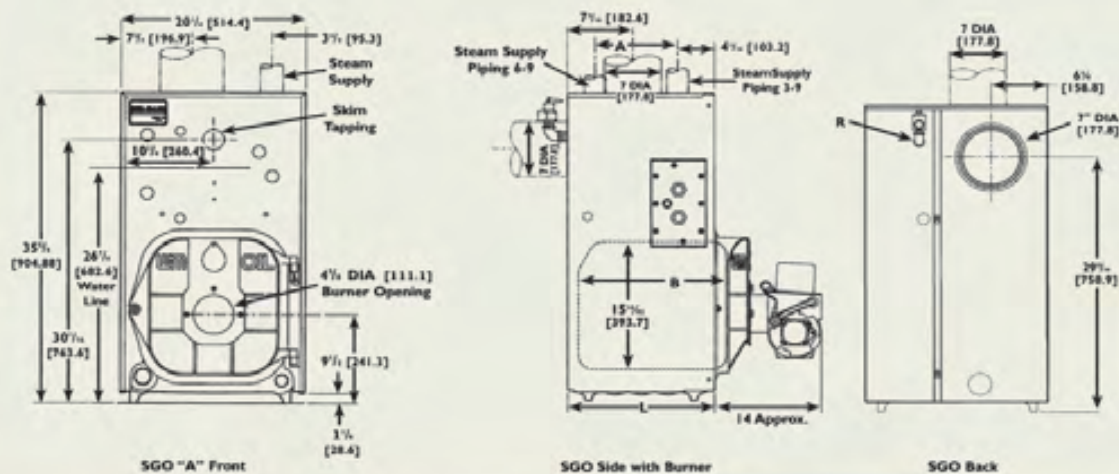
Standard Equipment

B-SGO-2 Through B-SGO-6:
 Section Assembly with Insulated Jacket Burner
 Three Piece Fibrous Refractory Combustion Chamber
 Heater Cover Plate and Gasket
 Full Swing-Away Burner Door
 Convertible Flue (Top or Rear)
 Low Water Cut-Off
 Drain Cock
 Steam Trim Consisting of:
 Steam Gauge
 Gauge Cocks
 Water Gauge Glass
 A.S.M.E. Safety Valve - 15 P.S.I.
 High Limit Pressure Control
 Balanced Draft Damper
 Service Switch Mounted on Junction Box

B-SGO-7 Through B-SGO-9:
 Same as SGO-2 through SGO-6 except:
 Section Assembly
 Collector Hood
 Insulated Jacket

OPTIONAL BOILER EQUIPMENT

DESCRIPTION	PART NUMBER
Flue Brush	591-706-214
Side Wall Venter Kit (SSI-W)	510-312-274
Tankless Heater 35-S-29	386-700-350



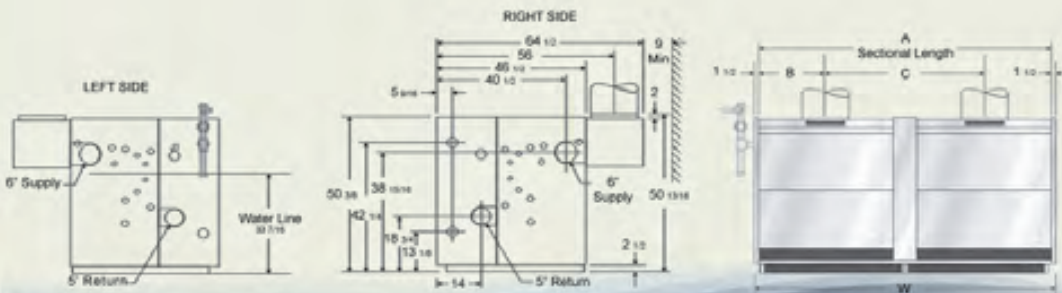
DIMENSIONS - in.			
BOILER MODEL NUMBER	A	B	L
SGO-3	—	13 1/2"	14 1/2"
SGO-4	—	16 1/2"	20"
SGO-5	—	19 1/2"	22 1/2"
SGO-6	19"	23 1/2"	26 1/2"
SGO-7	22 1/2"	26 1/2"	29 1/2"
SGO-8	25 1/2"	29 1/2"	32 1/2"
SGO-9	28 1/2"	32 1/2"	35 1/2"

In the interest of continual improvements in product and performance, Weil-McLain reserves the right to change specifications without notice.

FOR OTHER ADDITIONAL BOILER EQUIPMENT AND CONTROLS - SEE SECTION 5

BOILER NUMBER (1)(2)(3)	C.S.A. INPUT MBH	GROSS OUTPUT MBH	NET I-B-R RATINGS			VENT CHIM DIA. (7)	SHP WGT	PART NUMBER	
			STEAM MBH (4)	STEAM SQ. FT.	WATER MBH (6)			WATER	STEAM
LGB - 4	400.00	324.00	243	1,013	282	10	1,185	133-041-306	133-044-307
LGB - 5	520.00	421.20	316	1,317	366	12	1,455	133-051-306	133-054-307
LGB - 6	650.00	526.50	395	1,646	458	12	1,725	133-061-306	133-064-306
LGB - 7	780.00	631.80	474	1,975	549	12	2,005	133-071-306	133-074-306
LGB - 8	910.00	737.10	553	2,304	641	14	2,290	133-081-306	133-084-306
LGB - 9	1,040.00	842.40	632	2,633	733	14	2,560	133-091-306	133-094-306
LGB - 10	1,170.00	947.70	711	2,963	824	16	2,800	133-101-306	133-104-306
LGB - 11	1,300.00	1,053.00	790	3,292	916	16	3,105	133-111-306	133-114-306
LGB - 12	1,430.00	1,158.30	869	3,621	1,007	16	3,365	133-121-306	133-124-306
LGB - 13	1,560.00	1,263.60	949	3,954	1,099	16	3,785	133-131-306	133-134-306
LGB - 14	1,690.00	1,368.90	1,035	4,313	1,190	16	4,085	133-141-306	133-144-306
LGB - 15	1,820.00	1,474.20	1,123	4,679	1,282	16	4,355	133-151-306	133-154-306
LGB - 16	1,950.00	1,579.50	1,211	5,046	1,373	17	4,725	133-161-306	133-164-306
LGB - 17	2,080.00	1,684.80	1,298	5,408	1,465	17	4,975	133-171-306	133-174-306
LGB - 18	2,210.00	1,790.10	1,386	5,775	1,557	18	5,270	133-181-306	133-184-306
LGB - 19	2,340.00	1,895.40	1,470	6,125	1,648	18	5,540	133-191-306	133-194-306
LGB - 20	2,470.00	2,000.70	1,553	6,471	1,740	19	5,820	133-201-306	133-204-306
LGB - 21	2,600.00	2,106.00	1,635	6,813	1,831	19	6,080	133-211-306	133-214-306
LGB - 22	2,730.00	2,211.30	1,717	7,154	1,923	19	6,365	133-221-306	133-224-306
LGB - 23	2,860.00	2,316.60	1,799	7,496	2,014	20	6,625	133-231-306	133-234-306

- For elevations between 2,000 and 4,500 ft above sea level, rating should be reduced by 10% and boiler should be designated with a prefix "A". Example: (ALGB-6-W)
- Propane fired boilers should be designated with suffix "P". Example: (LGBP-6-W)
- Insert S (for steam), W (for water)
- Net IBR steam ratings are based on the following piping and pick-up allowance(s)
LGB-6 through LGB-12 - 1.333 LGB-13 - 1.332 LGB-14 - 1.322 LGB-15 - 1.312 LGB-16 - 1.304
LGB-17 - 1.297 LGB-18 - 1.292 LGB-19 - 1.289 LGB-20 through LGB-23 - 1.288
- List prices based upon an available natural gas supply pressure of at least 5.0 inches water column at the inlet to the boiler gas control components. For other gas pressures consult Customer Services Department.
- Net IBR water ratings are based on piping and pick-up allowance - all sizes - 1.15
- Twenty foot (20') chimney height may be used based on using a six foot (6') length of connector or breeching of the size shown from the nearest draft hood outlet to the chimney or vent with not more than one (1) standard sloping-type 90° elbow. If individual vertical vents are to be employed each vent diameter should be the same size as in the respective draft hood outlet and the height may be reduced to five feet (5') measured above the draft hood outlet.



In the interest of continual improvements in product and performance, Weil-McLain reserves the right to change specifications without notice.

Standard Equipment

Cast Iron Sections
Aluminized Steel Collector Hood(s) and Draft Hood(s)
Control Transformer-120/24 Volt Junction Box
Factory-Packaged Burner-Base Assembly
Gas Distribution Manifolds
Aluminized Steel Base Panels
High-Temperature Insulation Board Panels
High Gas Pressure Switch (LGB-21 through LGB-23 only)
Wiring Harness - Junction Box and Prewired Flexible Conduit
Flame Guardian® UCS Flame Rectification

Electronic Control System for Each Base Assembly: Prewired Control Module with Terminal Block and Two Ignition Control Modules with Integral Spark Generators, Intermittent Electronic Ignition Pilot System, Electronically Supervised Safety Pilot Burner with Combination Ignition Electrode and Flame Rod, Main Flame Sensor Rod, Ignition/Sensor Cable

Water:

Combination Operating and High Limit Temperature Control (for LGB-6 through 20 only)
Operating Temperature Control (LGB-21 through 23 only)
High Limit Temperature Control (LGB-21 through 23 only)
Combination Pressure/Temperature Gauge
30 P.S.I. ASME Relief Valve-Side Outlet
Built-in Air Eliminator in End Sections
80 PSI Relief Available

Steam:

Operating Pressure Control
High Limit Pressure Control
Compound Pressure-Vacuum Gauge
Gauge Cocks, Glass, and Guards
15 P.S.I. ASME Relief Valve-Side Outlet
Float Type Low-Water Cutoff, No.61
Wiring Harness-Junction Box and Prewired Flexible Conduit

Boiler Model Number	Dimensions in inches			
	A	B	C	W
LGB-4	16	9	—	21
LGB-5	20	11 1/2	—	26
LGB-6	25	14	—	31
LGB-7	30	16 1/2	—	36
LGB-8	35	19	—	41
LGB-9	40	21 1/2	—	46
LGB-10	45	24	—	51
LGB-11	50	26 1/2	—	56
LGB-12	55	29	—	61
LGB-13	60	31 1/2	30	66
LGB-14	65	34	30 1/2	71
LGB-15	70	36 1/2	30	76
LGB-16	75	39	30 1/2	81
LGB-17	80	41 1/2	30	86
LGB-18	85	44	30 1/2	91
LGB-19	90	46 1/2	30	96
LGB-20	95	49	30 1/2	101
LGB-21	100	51 1/2	30	106
LGB-22	105	54	30 1/2	111
LGB-23	110	56 1/2	30	116

LGB Series 2 - Control Panels

Guarded Status Panel (Required in certain Provinces where applicable by code)

DESCRIPTION
GSP-S Steam Only for models LGB-11-S or LGB-12-S
GSP-S Steam Only for models LGB-13-S through LGB-23-S

ADDITIONAL BOILER EQUIPMENT

DESCRIPTION	MODEL
Propane Adder For LGB Boiler	LGB-4 through LGB-12 LGB-13 through LGB-23
Factory assembled sections Stage firing or Low-High-Low firing	LGB-6 through LGB-23



NOTE: Ontario Steam Boilers with 30 H.P. & Up Require Guarded Plant. Manitoba Steam Boilers 50 H.P. & Up May Require Special Guarded Plant. Consult Customer Service.

NOTE: GSP-W Control Panels Are Available For Hot Water Boilers. Standard Lights Include Burner On, Flame Failure, Hi-Temp & Low Water. Alarm Buzzer with Silencer. Dry Contact for Remote Alarm. Push to Test & Reset Buttons.

NOTE: Special Control Panels are available for both Water/ Steam Boiler applications. Call Customer Service for Pricing.

In the interest of continual improvements in product and performance, Weil-McLain reserves the right to change specifications without notice.

FOR OTHER ADDITIONAL BOILER EQUIPMENT AND CONTROLS - SEE SECTION 5

80 Series

FORCED DRAFT BOILER

BOILER NUMBER (1)(2)	C.S.A. INPUT		I-B-R GROSS OUTPUT MBH (3)	I-B-R NET RATING (4)			WATER NET SQ. FT. (5)	BOILER H.P.	I-B-R CHIMNEY SIZE VENT DIA. INCHES
	LIGHT OIL G.P.H.	GAS M.B.H.		STEAM SQ. FT.	STEAM MBH	WATER MBH			
380	2.4	346	278	867	208	242	1,615	8.3	8
480	3.4	491	396	1,238	297	344	2,293	11.8	8
580	4.45	639	515	1,608	386	448	2,987	15.4	8
680	5.5	787	634	1,983	476	551	3,673	18.9	8
780	6.5	935	753	2,354	565	655	4,367	22.5	10
880	7.5	1,082	872	2,725	654	758	5,053	26	10
980	8.5	1,230	991	3,096	743	862	5,747	29.6	10
1080	9.6	1,378	1,110	3,471	833	965	6,433	33.2	10
1180	10.6	1,526	1,229	3,842	922	1,069	7,127	36.7	10
1280	11.6	1,674	1,348	4,242	1,018	1,172	7,813	40.3	12

- (1) Insert 'BL' for light oil, 'BGL' for combination gas-light oil, 'BG' for gas.
- (2) Insert 'W' for water, or 'S' for steam.
- (3) Gross I-B-R ratings have been determined under the I-B-R provision governing forced draft boiler-burner units.
- (4) Net I-B-R- Ratings are based on net installed radiation of sufficient quantity for the requirements of the building and nothing need be added for normal piping and pick-up. Water ratings are based on a piping and pick-up allowance of 1.15. Steam ratings are based on the following allowances: 380 thru 1180 - 1.333; 1280 - 1.321
An additional allowance should be made for gravity hot water systems or for unusual piping and pick-up loads.
- (5) Based on average water temperature of 170oF in radiators.

Standard Equipment

Cast Iron Sections
 Flame Retention Burner
 Burner Mounting Plate with refractory
 Flue Collar with built-in breeching damper
 Observation Port Front and Back Section
 Cleanout Plates
 Top or Rear Outlet (please specify)
 Flue Brush

Steam Boiler:
 A.S.M.E. Safety Valve 15 P.S.I.
 Low and High Limit Control
 Steam Gauge
 Gauge Glass
 Gauge Glass Cocks
 Gauge Guards
 Low Water Cut-Off

Water Boiler:
 A.S.M.E. Relief Valve 30 P. S. I.
 Dual High Limit and Operating Control
 Combination pressure-temperature Gauge
 Built-in air eliminator

In the interest of continual improvements in product and performance, Weil-McLain reserves the right to change specifications without notice.

FOR OTHER ADDITIONAL BOILER EQUIPMENT AND CONTROLS - SEE SECTION 5

80 Series

FORCED DRAFT BOILER

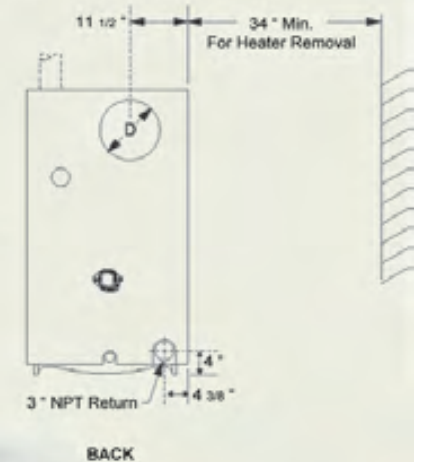
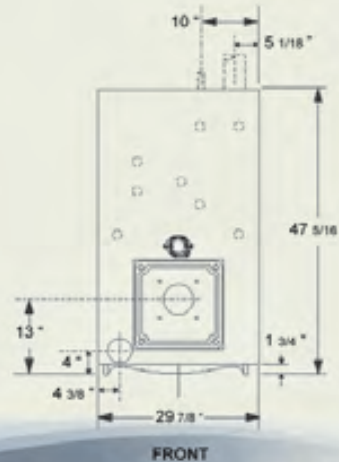
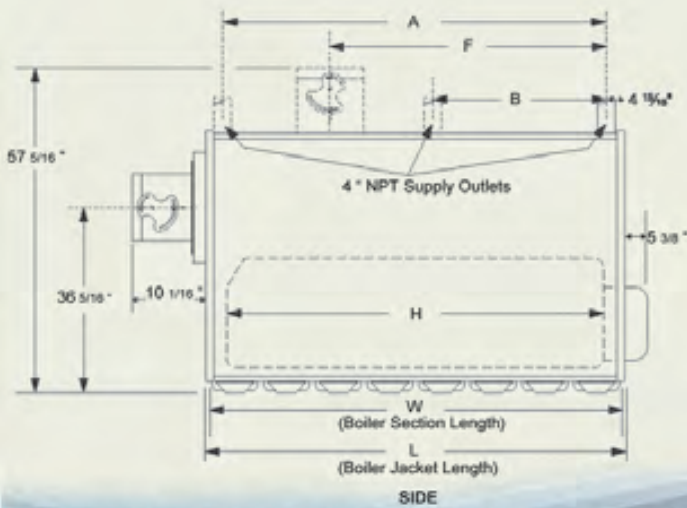
OPTIONAL EQUIPMENT ON ALL BURNERS

DESCRIPTION
LIGHTS (NON ALARM FUNCTION)
7-1280 Oil Burners (must add Control Cabinet)
3-1280 Gas and Gas/Oil Burners, Power On & Fuel On light standard
LIGHTS (ALARM FUNCTION)
S.P.S.T. Relay for alarm function add light above and
3" Alarm Bell mounted and wired on burner
PROPANE GAS (RM7897 C/UV Control In Place of STD. Control)

ADDITIONAL BOILER EQUIPMENT

DESCRIPTION	PART NUMBER
80 P.S.I. Water Boilers upon request	N.P.N.
Tankless Heater Openings (With Cover Plate)	N.P.N.
80T Intermediate Section in place of Standard Section	N.P.N.
Tankless Heater 78-34	590-921-917
Factory Assembled Sections (Insert "FA", eg' FA680c-W)	N.P.N.

Boiler model number	Dimensions (Inches)						
	A	B	D	F	H	W	L
380	13 1/4	--	8	12 1/4	13 1/2	20 1/4	21 1/4
480	20 1/4	--	8	13 1/4	20 1/2	27 1/4	28 1/4
580	27 1/4	--	8	13 1/4	27 1/2	34 1/4	35 1/4
680	34 1/4	--	8	13 1/4	34 1/2	41 1/4	42 1/4
780	41 1/4	--	10	27 1/4	41 1/2	48 1/4	49 1/4
880	48 1/4	--	10	27 1/4	48 1/2	55 1/4	56 1/4
980	55 1/4	--	10	41 1/4	55 1/2	62 1/4	63 1/4
1080	62 1/4	27 1/4	10	41 1/4	62 1/2	69 1/4	70 1/4
1180	69 1/4	34 1/4	10	55 1/4	69 1/2	76 1/4	77 1/4
1280	76 1/4	34 1/4	12	55 1/4	76 1/2	83 1/4	84 1/4



In the interest of continual improvements in product and performance, Weil-McLain reserves the right to change specifications without notice.

FOR OTHER ADDITIONAL BOILER EQUIPMENT AND CONTROLS - SEE SECTION 5

80 Series - Burners

OIL BURNER	OIL		MOTOR CURRENT			BURNER CONTROLS				FIRING OPERATION		CONTROL CABINET
	MODEL	MOTOR HP	115-60-1	230-60-1 (1)	3 PHASE (2)	PRIMARY CONTROL W/ PREPURGE	CAD CELL PRE/ POST PURGE	RM7890A PHOTO CELL	RM7896C	LO FIRE	L-H-L (3)	
380	F10	1/8	STD.	N.A.	N.A.	STD.	N.A.	N.A.	N.A.	N.A.	N.A.	N.A.
4-680	F20	1/4	STD.	N.A.	N.A.	STD.	N.A.	N.A.	N.A.	STD.	N.A.	N.A.
7-980	702CRD	1/2	STD.	N.C.	N.C.	N.A.	STD.	N.A.	N.A.	STD.	STD.	N.A.
10-1280	801CRD	3/4	N.C.	STD.	N.C.	N.A.	STD.	N.A.	N.A.	STD.	STD.	N.A.

Approved Burners are Beckett, Carlin, Powerflame, and Riello. Consult Customer Services for additional Burner pricing.

- NOTE:**
1. 115-60-1 control current must be available for all units.
 2. 208-60-3, 240-60-3, 480-60-3, 575-60-3 available. Specify on order.
 3. Does not include controller.

GAS BURNER	GAS		MOTOR CURRENT			BURNER CONTROLS		FIRING OPERATION			CONTROL CABINET 15 1/2" X 17"
	MODEL	MOTOR HP	115-60-1	230-60-1	3 PHASE (1) (2)	RM7895A FRE	RM7840L U.V.	PROVEN LO FIRE START	L-H-L (3)	MOD (3)	
3-480	JR15A-10	1/4	STD.			STD.			N/A	N/A	STD.
580	JR15A-10	1/4	STD.			STD.					STD.
6-780	JR30A-10	1/3	STD.			STD.					STD.
880	JR30A-12	1/3	STD.			STD.					STD.
9-1180	JR50A-15	1/3	STD.			STD.					STD.
1280	JR50A-15	1/3	STD.			STD.		STD.			STD.

Approved Burners are Powerflame and Riello. Consult Customer Services for additional Burner pricing.

- NOTE:**
1. Control circuit transformer included with 3 phase motor only.
 2. 208-60-3, 240-60-3, 480-60-3, 575-60-3 available. Specify on order.
 3. Does not include controller.

GAS/ OIL BURNER	GAS/ OIL (4)		MOTOR CURRENT			BURNER CONTROLS		FIRING OPERATION			CONTROL CABINET 15 1/2" X 17"
	MODEL	MOTOR HP	115-60-1	230-60-1	3 PHASE (1) (2)	RM7895C U.V.	RM7840L U.V.	PROVEN LO FIRE START	L-H-L (3)	MOD (3)	
380	N.A.	N.A.	N.A.	N.A.	N.A.	N.A.	N.A.	N.A.	N.A.	N.A.	N.A.
480	CR1-10	1/3	STD.			STD.		N.A.		N.A.	STD.
5-680	CR1-10	1/3	STD.			STD.					STD.
7-1080	CR1-12	1/2	STD.			STD.					STD.
11-1280	CR2-15	3/4	N.C.	STD.		STD.					STD.

An additional allowance should be made for gravity hot water systems or for unusual piping and pick-up loads.

- NOTE:**
1. Control circuit transformer included with 3 phase motor only.
 2. 208-60-3, 240-60-3, 480-60-3, 575-60-3 available. Specify on order.
 3. Does not include controller.
 4. Fuel Ignition - Proven Gas Pilot for Gas - Direct Spark for Oil

In the interest of continual improvements in product and performance, Weil-McLain reserves the right to change specifications without notice.

88

Series 2
FORCED DRAFT BOILER

BOILER NUMBER	BURNER INPUT		I-B-R GROSS OUTPUT MBH (3)	I-B-R NET RATING (4)			WATER NET SQ. FT. (5)	BOILER H.P.	I-B-R CHIMNEY SIZE VENT DIA. INCHES	SHP WGT
	LIGHT OIL G.P.H.	GAS MBH		STEAM SQ. FT.	STEAM MBH	WATER MBH				
488	7.0	1,010	839.0	2,621	629.0	730.0	4,867	25.1	10	2860
588	9.4	1,356	1,126.0	3,521	845.0	979.0	6,527	33.6	10	3340
688	11.8	1,701	1,413.0	4,469	1,072.0	1,229.0	8,193	42.2	10	3820
788	14.2	2,046	1,700.0	5,463	1,311.0	1,478.0	9,853	50.8	12	4345
888	16.6	2,382	1,987.0	6,427	1,543.0	1,728.0	11,520	59.4	12	4925
988	18.8	2,737	2,274.0	7,358	1,766.0	1,977.0	13,180	67.9	14	5600
1088	21.5	3,082	2,561.0	8,283	1,988.0	2,227.0	14,847	76.5	14	6130
1188	23.5	3,428	2,848.0	9,213	2,211.0	2,477.0	16,513	85.1	14	6695
1288	26.0	3,773	3,135.0	10,147	2,434.0	2,726.0	18,173	93.7	14	7260
1388	28.5	4,119	3,422.0	11,071	2,657.0	2,976.0	19,840	102.2	14	7890
1488	31.0	4,464	3,709.0	12,000	2,880.0	3,225.0	21,500	110.8	16	8410
1588	33.0	4,809	3,996.0	12,925	3,102.0	3,475.0	23,167	119.4	16	9005
1688	35.5	5,155	4,283.0	13,854	3,325.0	3,724.0	24,827	127.9	16	9525
1788	38.0	5,494	4,570.0	14,783	3,548.0	3,974.0	26,493	136.5	18	9780
1888	40.5	5,845	4,857.0	15,713	3,771.0	4,123.0	27,487	145.1	18	10775

- (1) Insert 'BL' for light oil, 'BG' For Gas, 'BGL' for combination gas-light oil.
 (2) Insert 'W' for water, or 'S' for steam.
 (3) Gross I-B-R ratings have been determined under the I-B-R provision governing forced draft boiler-burner units.
 (4) Net I-B-R- Ratings are based on net installed radiation of sufficient quantity for the requirements of the building added for normal piping and pick-up. Water ratings are based on a piping and pick-up allowance of 1.15. Steam ratings are based on and nothing need be the following allowances: 488 thru 588 - 1.333; 688 - 1.323; 788 - 1.300; 888 - 1.289; 988 thru 1888 - 1.288. An additional allowance should be made for gravity hot water systems or for unusual piping and pick-up loads.
 (5) Based on average water temperature of 170 °F in radiators.

Standard Equipment

Cast Iron Sections
 Flame Retention Burner
 Burner Mounting Plate with refractory
 Flue Collar with built-in breaching damper
 Observation Port
 Cleanout Plates

Water:
 A.S.M.E. Relief Valve 30 P.S.I.
 Dual High Limit and Operating Control
 Combination pressure-temperature Gauge
 Built-in air eliminator
 Nipple and 5" and 6" reducing coupling
 (1288 - 1888 only)

Steam:
 A.S.M.E. Safety Valve 15 P.S.I.
 Low and High Limit Control
 Steam Gauge
 Gauge Glass
 Gauge Glass Cocks
 Gauge Guards
 Low Water Cut-Off

In the interest of continual improvements in product and performance, Weil-McLain reserves the right to change specifications without notice.

FOR OTHER ADDITIONAL BOILER EQUIPMENT AND CONTROLS - SEE SECTION 5

REFER TO TERMS & CONDITIONS FORM ON PAGE 7-6

ALL TAXES EXTRA

88

Series 2
FORCED DRAFT BOILER

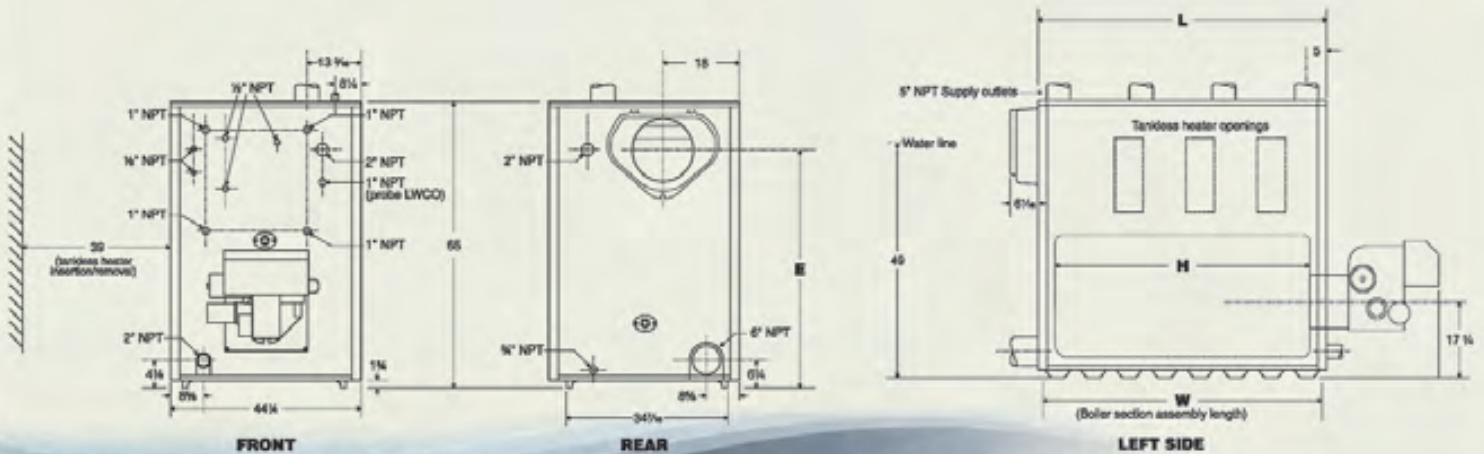
OPTIONAL EQUIPMENT ON ALL BURNERS

DESCRIPTION
LIGHTS (NON ALARM FUNCTION) 7-1280 Oil Burners (must add Control Cabinet) 3-1280 Gas and Gas/ Oil Burners, Power On & Fuel On light standard
LIGHTS (ALARM FUNCTION) S.P.S.T. Relay for alarm function add light above and 3" Alarm Bell mounted and wired on burner PROPANE GAS (RM7895A/ UV Control In Place of STD. Control)

ADDITIONAL BOILER EQUIPMENT

DESCRIPTION	PART NUMBER
50 P.S.I. Water Boilers upon request	N.P.N.
80 P.S.I. Water Boilers	N.P.N.
Tankless Heater 820	590-921-909
Tankless Intermediate Section (With Cover Plate) in lieu of standard intermediate Section	N.P.N.
Factory Assembled Sections (Insert "FA", eg' FA688-W)	N.P.N.

Dimensions (inches)				
Model	E	L	W	H
488	54 1/2	34 1/2	30	23 1/2
588	54 1/2	42 1/2	38	31 1/2
688	54 1/2	50 1/2	46	39 1/2
788	58 1/2	58 1/2	54	47 1/2
888	58 1/2	66 1/2	62	55 1/2
988	62 1/2	74 1/2	70	63 1/2
1088	62 1/2	82 1/2	78	71 1/2
1188	62 1/2	90 1/2	86	79 1/2
1288	62 1/2	98 1/2	94	87 1/2
1388	62 1/2	106 1/2	102	95 1/2
1488	61 1/2	114 1/2	110	103 1/2
1588	61 1/2	122 1/2	118	111 1/2
1688	61 1/2	130 1/2	126	119 1/2
1788	61 1/2	138 1/2	134	127 1/2
1888	61 1/2	146 1/2	142	135 1/2



In the interest of continual improvements in product and performance, Weil-McLain reserves the right to change specifications without notice.

FOR OTHER ADDITIONAL BOILER EQUIPMENT AND CONTROLS - SEE SECTION 5

88 Series 2 - Burners

OIL BURNER	OIL		MOTOR CURRENT			BURNER CONTROLS			FIRING OPERATION			CONTROL CABINET
	MODEL	MOTOR HP	115-60-1	230-60-1 (1)	3 PHASE (2)	CAD CELL PRE/ POST PURGE	RM7895A PHOTO CELL	RM7890A PHOTO CELL	LO FIRE	L-H-L (3)	MOD (3)	
4-588	702CRD	1/2	STD.			STD.		N.A.	STD.	STD.	N.A.	
6-888	801CRD	3/4	N.C.	STD.		STD.		N.A.	STD.	STD.	N.A.	
9-1088	1050FFD	1	N.C.	STD.		N.A.	STD.	N.A.	STD.	STD.	N.A.	
11-1488	1150FFD	1-1/2	N.A.	STD.		N.A.	STD.	N.A.	STD.	STD.	N.A.	N.A.
15-1688	CR3-OB	3	N.A.	N.A.	STD.	N.A.	N.A.	STD.	STD.	N.C.		N.A.
17-1888	CR4-OA	5	N.A.	N.A.	STD.	N.A.	N.A.	STD.	STD.	N.C.		N.A.

Approved Burners are Carlin, Powerflame, Beckett & Riello Consult Customer Services for additional Burner pricing.

- NOTE:**
- 115-60-1 control current must be available for all units.
 - 208-60-3, 240-60-3, 480-60-3, 575-60-3 available. Specify on order.
 - Does not include controller.

GAS BURNER	GAS		MOTOR CURRENT			BURNER CONTROLS		FIRING OPERATION			CONTROL CABINET
	MODEL	MOTOR HP	115-60-1	230-60-1	3 PHASE (1) (2)	RM7895 U.V.	RM7840L U.V.	PROVEN LO FIRE START	L-H-L (3)	MOD (3)	
488	CR1-12	1/3	STD.	STD.							STD.
588	CR1-12	1/2	STD.	STD.							STD.
6-788	CR2-15	1/2		STD.							STD.
8-988	CR2-20B	1		N.C.	STD.						STD.
10-1288	CR3-20	1-1/2	STD.	N.C.	N.C.	STD.					STD.
1388	CR3-25	1-1/2	STD.	N.C.	N.C.	STD.					STD.
14-1688	CR3-25B	2	STD.	N.C.	N.C.	STD.					STD.
17-1888	CR4-25	3	STD.	N.A.	N.C.	STD.					STD.

Approved Burners are Carlin, Powerflame, Beckett & Riello Consult Customer Services for additional Burner pricing.

- NOTE:**
- Control circuit transformer included with 3 phase motor only.
 - 208-60-3, 240-60-3, 480-60-3, 575-60-3 available. Specify on order.
 - Does not include controller.

GAS/ OIL BURNER	GAS/ OIL (4)		MOTOR CURRENT			BURNER CONTROLS		FIRING OPERATION			CONTROL CABINET
	MODEL	MOTOR HP	115-60-1	230-60-1	3 PHASE (1) (2)	RM7895C U.V.	RM7840L U.V.	PROVEN LO FIRE START	L-H-L (3)	MOD (3)	
4-588	CR1-12	1/2	STD.			STD.					STD.
6-788	CR2-15	3/4	N.C.	STD.		STD.					STD.
888	CR2-20B	1	N.C.	STD.		STD.					STD.
9-1088	CR2-20B	1-1/2	N.C.	STD.		STD.					STD.
11-1288	CR3-20	2	N.C.	N.C.	STD.	STD.					STD.
1388	CR3-25	2	N.C.	N.C.	STD.	STD.					STD.
14-1688	CR3-25B	3	N.A.	N.C.	STD.	STD.					STD.
17-1888	CR4-25	5	N.A.	N.A.	STD.	STD.					STD.

An additional allowance should be made for gravity hot water systems or for unusual piping and pick-up loads.

- NOTE:**
- Control circuit transformer included with 3 phase motor only.
 - 208-60-3, 240-60-3, 480-60-3, 575-60-3 available. Specify on order.
 - Does not include controller.
 - Fuel Ignition - Proven Gas Pilot for Gas - Direct Spark for Oil

In the interest of continual improvements in product and performance, Weil-McLain reserves the right to change specifications without notice.

Cobalt

Boiler System

COBALT NUMBER	BOILER NUMBER	C.S.A. INPUT		C.S.A. GROSS OUTPUT MBH (1)	NET RATING (2)		WATER NET SQ. FT. (3)	BOILER H.P.	CHIMNEY SIZE VENT DIA. INCHES	SHP WGT
		LIGHT OIL G.P.H.	GAS MBH		WATER MBH					
CS-300	380c	2.25	324	276	240	1,600	8.2	8	1,058	
CS-400	480c	3.20	461	392	341	2,280	11.7	8	1,203	
CS-500	580c	4.15	598	509	443	2,953	15.2	8	1,448	
CS-600	680c	5.20	750	638	555	3,700	19.1	8	1,843	
CS-750	780c	6.10	880	749	651	4,340	22.4	10	2,088	
CS-800	488c	7.00	1,010	868	755	5,033	25.9	10	2,803	
CS-900	880c	7.00	1,009	859	747	4,980	25.7	10	2,317	
CS-1000	980c	8.00	1,154	982	854	5,693	29.3	10	2,678	
CS-1050	588c	9.40	1,356	1,166	1,014	6,760	34.8	10	3,365	
CS-1100	1080c	9.00	1,298	1,105	961	6,407	33.0	10	2,923	
CS-1200	1180c	10.00	1,442	1,227	1,067	7,113	36.7	10	3,068	
CS-1300	1280c	10.80	1,557	1,325	1,152	7,680	39.5	12	3,313	
CS-1350	688c	11.80	1,701	1,463	1,272	8,480	43.6	10	3,942	
CS-1600	788c	14.20	2,049	1,760	1,530	10,200	52.5	12	4,504	
CS-1900	888c	16.60	2,382	2,058	1,790	11,933	61.4	12	5,066	
CS-2100	988c	18.80	2,737	2,330	2,026	13,507	69.5	14	5,673	
CS-2400	1088c	21.50	3,082	2,665	2,317	15,447	79.6	14	6,235	
CS-2600	1188c	23.50	3,428	2,914	2,534	16,893	87.0	14	6,797	
CS-3000	1288c	26.00	3,773	3,224	2,803	18,687	96.2	14	7,359	
CS-3200	1388c	28.50	4,119	3,533	3,072	20,480	105.5	14	7,921	
CS-3500	1488c	31.00	4,464	3,843	3,342	22,280	114.7	16	8,483	
CS-3700	1588c	33.00	4,809	4,091	3,557	23,173	122.1	16	9,270	
CS-4000	1688c	35.50	5,155	4,402	3,828	25,520	131.4	16	9,832	
CS-4200	1788c	38.00	5,494	4,712	4,097	27,313	140.7	18	10,534	
CS-4500	1888c	40.50	5,845	5,021	4,366	29,107	149.9	18	11,096	

- (1) Gross ratings have been determined and certified to efficiency procedures in ANSI Z21
- (2) Net Ratings are based on net installed radiation of sufficient quantity for the requirements of the building and nothing need be added for normal piping and pick-up. Water ratings are based on a piping and pick-up allowance of 1.15. An additional allowance should be made for gravity hot water systems or for unusual piping and pick-up loads.
- (3) Based on average water temperature of 170 ° F in radiators.

Standard Equipment

Cast Iron Sections
 High Tech Insulation & Jacket Set
 Flame Retention Burner
 Burner Mounting Plate with refractory
 Flue Collar with built-in breeching damper
 Observation Port Front and Back Section
 Cleanout Plates
 Top or Rear Outlet (please specify) (80c Only)
 Flue Brush
 A.S.M.E. Relief Valve 30 P. S. I.
 Dual High Limit and Operating Control
 Combination pressure-temperature Gauge
 Built-in air eliminator
 Nipple and 5" and 6" reducing coupling
 (CS3000-CS4500 only)
 Flue Baffles (88c Only)

In the interest of continual improvements in product and performance, Weil-McLain reserves the right to change specifications without notice.

FOR OTHER ADDITIONAL BOILER EQUIPMENT AND CONTROLS - SEE SECTION 5

OPTIONAL EQUIPMENT ON ALL REILLO BURNERS
(Max 4 Lights, Relays, ect. Consult Weil Mclain Customer Service)

DESCRIPTION
LIGHTS (NON ALARM FUNCTION)
CS750-CS1300 Oil Burners
CS300-CS1300 Gas and Gas/ Oil Burners, Power On
CS800-CS3500 Oil Burners
CS3700-CS4500 Oil and all Gas and Gas/ Oil burners
Power On & Fuel on light standard
LIGHTS (ALARM FUNCTION)
S.P.S.T. Relay for alarm function add light above and
3" Alarm Bell mounted and wired on burner
Propane Gas (Instead of Natural Gas)

OPTIONAL ADDITIONAL BOILER EQUIPMENT

DESCRIPTION	PART NUMBER
Factory Assembled Sections (Insert "FA" , eg' FACS300)	N.P.N.
50 & 55 P.S.I. Water Boilers upon request	N.P.N.
80 P.S.I. Water Boilers	N.P.N.
T Intermediate Section in place of Standard Section	N.P.N.
Control Package Adder - See Section 4-12	
Low Temp Package	
380C-1388C	111-WMC-001
1488C-1688C	111-WMC-002
1788C-1888C	111-WMC-003

In the interest of continual improvements in product and performance, Weil-McLain reserves the right to change specifications without notice.

Cobalt Series - Burners

COBALT NUMBER	BOILER NUMBER	OIL BURNER		MOTOR CURRENT			BURNER CONTROLS		FIRING OPERATIONS			
		MODEL	MOTOR HP	115-60-1 *	240-60-1	3 PHASE (2)	*530SE/ C	**LAL 2.25	ON/OFF	LO FIRE	L-H-L (3)	MOD (3)
CS300	380c	F10	1/8	STD.	N.A.	N.A.	STD.	N.A.	STD.	N.A.	N.A.	N.A.
CS400-600	480c-680c	F15	1/8	STD.	N.A.	N.A.	STD.	N.A.	STD.	N.A.	N.A.	N.A.
CS750	780c	*F20/**R28 2 M	1/8-1/2	* STD.	N.A.	N.A.	STD.	** STD.	STD.	N.A.	** STD.	** STD.
CS800	488c	**RL28 2 M	1/8-1/2	STD.	N.A.	N.A.	N.A.	STD.	N.A.	N.A.	STD.	
CS900-1000	880c-980c	RL28 2 M	1/2	STD.	N.A.	N.A.	N.A.	STD.	N.A.	N.A.	STD.	
CS1050	588c	RL38 2 M	1/2	STD.	N.A.	STD.	N.A.	STD.	N.A.	N.A.	STD.	
CS1100-1300	1080c-1280c	RL38 2 M	1/2-3/4	STD.	N.A.	STD.	N.A.	STD.	N.A.	N.A.	STD.	
CS1350	688c	RL50 2 M	1/2-3/4	STD.	N.A.	STD.	N.A.	STD.	N.A.	N.A.	\$\$\$	\$\$\$
CS1600	788c	RL50 2 M	1/2-3/4	STD.	STD.	STD.	N.A.	STD.	N.A.	N.A.	STD.	
CS1900-2400	888c-1088c	RL70 2 M	1 1/2	N.A.	N.A.	STD.	N.A.	STD.	N.A.	N.A.	STD.	
CS2600-3500	1188c-1388c	RL100 2 M	1 1/2-2 1/2	N.A.	N.A.	STD.	N.A.	STD.	N.A.	N.A.	STD.	
CS3700-4500	1488c-1888c	RL130 2 M	3	N.A.	N.A.	STD.	N.A.	STD.	N.A.	N.A.	STD.	

Approved Burners are Riello. Consult Weil Mclain Customer Service for Additional Burner pricing.

COBALT NUMBER	BOILER NUMBER	GAS BURNER		MOTOR CURRENT			BURNER CONTROLS		FIRING OPERATIONS			
		MODEL	MOTOR HP	115-60-1	240-60-1	3 PHASE (2)	*RMG88 -620A1	**LFL 1.335	ON/OFF	LO FIRE	L-H-L (3)	MOD (3)
CS300	380c	G400	1/8	STD.	N.A.	N.A.	STD.	N.A.	STD.	N.A.	N.A.	N.A.
CS400-500	480c-580c	G750	1/8	STD.	N.A.	N.A.	STD.	N.A.	STD.	N.A.	N.A.	N.A.
CS600-750	680c-780c	*G900/**RS28 M	*1/8-1/2	STD.	N.A.	N.A.	* STD.	** STD.	N.A.	STD.	STD.	
CS800	488c	RS28 1 M	1/2	STD.	N.A.	N.A.	N.A.	STD.	STD.	N.A.		
CS900	880c	RS28 1 M	1/2	STD.	N.A.	N.A.	N.A.	STD.	STD.	STD.	\$\$\$	\$\$\$
CS1000	980c	RS38 1 M	1/2-3/4	STD.	N.A.	STD.	N.A.	STD.	STD.	N.A.	\$\$\$	\$\$\$
CS1050	588c	RS38 1 M	1/2-3/4	STD.	N.A.	STD.	N.A.	STD.	STD.	N.A.		
CS1100-1300	1080c-1280c	*RS38 1 M	1/2-3/4	STD.	N.A.	STD.	N.A.	STD.	STD.	STD.		
CS1350-1600	688c-788c	RS50 M	3/4	STD.	STD.	STD.	N.A.	STD.	N.A.	N.A.	STD.	
CS1900-2400	888c-1088c	RS70 M	1 1/2	N.A.	N.A.	STD.	N.A.	STD.	N.A.	N.A.	STD.	
CS2600-3500	1188c-1488c	RS100 M	2 1/2	N.A.	N.A.	STD.	N.A.	STD.	N.A.	N.A.	STD.	STD.
CS3700-4200	1488c-1788c	RS130 M	3	N.A.	N.A.	STD.	N.A.	STD.	N.A.	N.A.	STD.	STD.

Approved Burners are Riello. Consult Weil Mclain Customer Service for Additional Burner pricing.

COBALT NUMBER	BOILER NUMBER	GAS/ OIL BURNER		MOTOR CURRENT			BURNER CONTROLS		FIRING OPERATIONS	
		MODEL	MOTOR HP	115-60-1 *	240-60-1	**3 PHASE (2)	LAL2.25	LFL1.335	L-H-L (3)	MOD (3)
CS750/ 900	780c/ 880c	RLS28	1/2	STD.	N.A.	N.A.	N.A.	STD.	STD.	N.A.
CS800	488c	RLS28	1/2	STD.	N.A.	N.A.	N.A.	STD.	STD.	N.A.
CS1050	588c	RLS38	1/2	STD.	N.A.	N.A.	N.A.	STD.	STD.	N.A.
CS1000-1300	*980c-1280c	RLS38	1/3-3/4	* STD.	N.A.	** STD.	N.A.	STD.	STD.	N.A.
CS1350	688c	RLS50	1/3-3/4	* STD.	N.A.	** STD.	N.A.	STD.	STD.	N.A.
CS1600	788c	RLS50	1/2-3/4	STD.	STD.	STD.	N.A.	STD.	STD.	N.A.
CS1900-2400	888c-1088c	RLS70 M	1 1/2	N.A.	N.A.	STD.	N.A.	STD.	STD.	STD.
CS2600-3500	1188c-1488c	RLS100 M	2 1/2	N.A.	N.A.	STD.	N.A.	STD.	STD.	STD.
CS3700-4000	1588c-1688	RLS130 M	2 1/2 - 3	N.A.	N.A.	STD.	N.A.	STD.	STD.	STD.

Approved Burners are Riello. Consult Weil Mclain Customer Service for Additional Burner pricing.

- NOTE:**
- Control circuit transformer included with 3 phase motor only.
 - 575-60-3 available. List Price Each
 - Does Not Include Controller.
 - 115-60-1 control current must be available for all units.
 - Fuel ignition - Gas - Proven gas pilot, oil - Direct Spark Gas/Oil Burner Only

In the interest of continual improvements in product and performance, Weil-McLain reserves the right to change specifications without notice.

FOR OTHER ADDITIONAL BOILER EQUIPMENT AND CONTROLS - SEE SECTION 5

Cobalt Series - Control Package Adder

BOILER NUMBER	NUMBER OF BOILERS
CS300 - CS 4500	1 Boiler
CS300 - CS 4500	2 Boilers
CS300 - CS 4500	3 Boilers
CS300 - CS 4500	4 Boilers

PGM STATUS PANEL

PANEL INCLUDES:

- PANEL FOR WALL MOUNT NEAR BOILER
- STD POWER ON LIGHT & SWITCH. BURNER ON LIGHT. ADDITIONAL LIGHT & RELAY FOR LO-WATER, HI-TEMP & FLAME FAILURE
- ALARM SILENCING SWITCH & DRY CONTACT FOR REMOTE ALARM

WRS CONTROL PANEL

PANEL INCLUDES:

- ON/OFF CONTROL FOR UPTO 3 ON/OFF BOILERS WITH INDOOR/ OUTDOOR WITH LEAD/LAG. BURNER ON LIGHT.
- LO-HI-LO CONTROL FOR UPTO 4 TWO STAGE BOILERS WITH INDOOR/ OUTDOOR, LEAD/ LAG, ECT
- MODULATION CONTROL FOR UPTO 4 MODULATING BOILERS WITH INDOOR/ OUTDOOR, LEAD/ LAG, ECT
- AQUASTATS INCLUDED FOR ALL ABOVE CONTROLS

For Additional Lights & Relays Consult Weil Mclain Customer Service

NOTE: Please Add 1 Status Panel & 1 Control Panel to Complete Package
Package includes 1 Custom Status Panel with All Lights, Relays, Additional Contacts And Switches
With Alarm & 1 Control For Staging Indoor/ Outdoor Reset, Lead/ Lag & Rotatation of Boilers ECT.

In the interest of continual improvements in product and performance, Weil-McLain reserves the right to change specifications without notice.

FOR OTHER ADDITIONAL BOILER EQUIPMENT AND CONTROLS - SEE SECTION 5

94 Series 3

FORCED DRAFT BOILER

BOILER NUMBER (1) (2)	BURNER INPUT		I-B-R GROSS OUTPUT MBH (3)	I-B-R NET RATING (4)			SQ. FT. WATER (5)	BOILER H.P.	I-B-R CHIMNEY SIZE VENT DIA. INCHES	SHP WGT
	LIGHT OIL G.P.H.	GAS MBH		STEAM MBH	STEAM SQ.FT	WATER MBH				
894	17.5	2540	2028	1574.5	6,560	1763.5	11755	60.6	14	8741
994	20.0	2887	2320	1801.2	7,505	2017.4	13450	69.3	14	9649
1094	22.5	3247	2612	2028.0	8,450	2271.3	15140	78.0	16	10522
1194	25.0	3608	2904	2254.7	9,395	2525.2	16835	86.7	16	11408
1294	27.5	3969	3190	2476.7	10,320	2773.9	18490	95.3	16	12250
1394	30.0	4330	3480	2701.9	11,260	3026.1	20175	104.0	18	13089
1494	32.5	4691	3770	2927.0	12,195	3278.3	21855	112.6	18	13962
1594	35.0	5052	4070	3159.9	13,165	3539.1	23595	121.6	18	15510
1694	37.5	5412	4360	3385.1	14,105	3791.3	25275	130.2	18	15655
1794	40.0	5773	4650	3810.2	15,045	4043.5	26955	138.9	20	16488
1894	42.5	6134	4940	3835.4	15,980	4295.7	28640	147.6	20	17601
1994	45.0	6495	5230	4060.6	16,920	4542.8	30285	156.2	20	18549
2094	47.5	6856	5520	4285.7	17,855	4800.0	32000	164.9	20	19415
2194	50.0	7216	5810	4510.9	18,795	5052.2	33675	173.6	20	20281
2294	52.5	7577	6100	4736.0	19,735	5304.3	35360	182.2	22	21147
2394	55.0	7938	6390	4961.2	20,670	5556.5	37045	190.9	22	22113
2494	57.5	8299	6680	5186.3	21,610	5808.7	38725	199.6	22	23037
2594	60.0	8660	6970	5411.5	22,550	6060.9	40406	208.2	22	24045

Consult Customer Services for pricing on all 94 boilers.

- Insert 'BL' for light oil, 'BG' For Gas, 'BGL' for combination gas-light oil.
- Insert 'W' for water, or 'S' for steam.
- Gross I-B-R- Ratings have been determined under the I-B-R provisions governing forced draft boiler-burner units.
- Net I-B-R- Ratings are based on the following piping an pick-up allowances: Water Ratings - 1.15; Steam Ratings - 1.288. An additional allowance should be made for unusual piping and pick-up loads.
- Based upon average water temperature of 170 °F. in radiators.

OPTIONAL EQUIPMENT

DESCRIPTION
Factory Assembled Sections (Insert "FA" , eg' FA694-W)
Tankless Heater Openings (With Cover Plate)
94T Intermediate Section in place of Standard Section
Guarded Status Panels must be used with factory standard burners on all boilers (Required in certain Provinces where applicable by code)

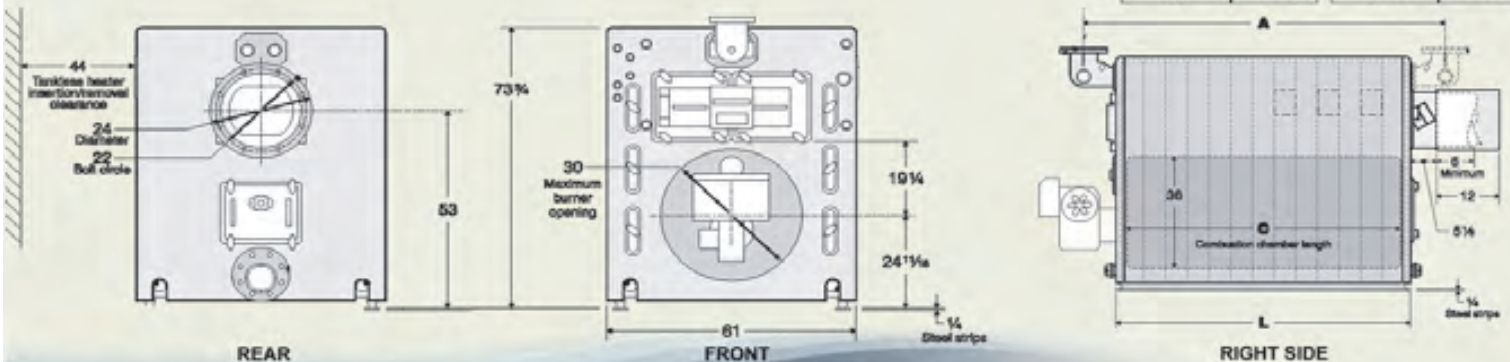
Standard Equipment

Weil-McLain Flame Retention Burner for Light Oil, Gas-Light Oil, or Gas
 Burner Mounting Plate and Refractory with Openings for Burner, Controls and Observation Port.
 Triple-Pass Cast Iron Sections
 Front Cleanout Doors and Wing Nuts
 Front Cleanout Plates and Wing Nuts
 Back Access Door with Observation Port
 Weil-McLain Supply Elbow(s) or Top Supply Outlet(s) for water and steam boilers. (Built-in Eliminator for water boiler)
 Flanged Flue Collar with built-in Breeching Damper
 Two 3 Inch Close Nipples and Caps for Washout Tappings on the Front Section

Water:
 A.S.M.E. Safety Relief Valve 30 P.S.I.
 Combination Pressure-Temperature Gauge
 Combination High Limit and Low Limit Control

Steam:
 A.S.M.E. Safety Valve(s) (Side Outlets) 15 P.S.I.
 Steam Pressure Gauge, Syphon, Gauge Glass, Gauge Cocks and Gauge Guards
 Low Limit and High Limit Pressure Controls
 Low Water Cut-Off

Dimensions		Dimensions	
Model	L	Model	L
894	52 1/2	1794	105 1/2
994	58 1/2	1894	112 1/2
1094	64 1/2	1994	118 1/2
1194	70 1/2	2094	124 1/2
1294	76 1/2	2194	130 1/2
1394	82 1/2	2294	136 1/2
1494	88 1/2	2394	142 1/2
1594	94 1/2	2494	148 1/2
1694	100 1/2	2594	154 1/2



In the interest of continual improvements in product and performance, Weil-McLain reserves the right to change specifications without notice.

FOR OTHER ADDITIONAL BOILER EQUIPMENT AND CONTROLS - SEE SECTION 5

94 Series 3 - Burners

OIL FIRED BOILER NUMBER	OIL BURNER (4)		MOTOR CURRENT		BURNER CONTROLS			FIRING OPERATION			CONTROL CABINIT
	MODEL	MOTOR HP	240-60-1	3 PHASE (1) (2)	RA890F	RM7895A	RM7840	LO FIRE	L-H-L (3)	MOD (3)	
8-994	CR3	2	N.C.	STD.	STD.	OPT.	OPT.	STD.	N.C.	OPT.	STD.
10-1394	CR3	2	N.C.	STD.	N.A.	STD.	OPT.	STD.	N.C.	OPT.	STD.
14-1794	CR4	5	N.A.	STD.	N.A.	STD.	OPT.	STD.	N.C.	OPT.	STD.
1894	CR4	5	N.A.	STD.	N.A.	STD.	OPT.	STD.	N.C.	OPT.	STD.
19-2094	CR4	5	N.A.	STD.	N.A.	N.A.	STD.	N.A.	N.A.	STD.	STD.
21-2294	CR5	5	N.A.	STD.	N.A.	N.A.	STD.	N.A.	N.A.	STD.	STD.
23-2594	CR5	7 1/2	N.A.	STD.	N.A.	N.A.	STD.	N.A.	N.A.	STD.	STD.

- NOTE:**
1. Control Circuit Transformer included with 3 phase motor only.
 2. 208-60-3, 240-60-3, 460-60-3, 575-60-3 Available. Specify on order
 3. Does Not Include Controller.
 4. Fuel Ignition - Direct Spark

GAS FIRED BOILER NUMBER	GAS BURNER (4)		MOTOR CURRENT		BURNER CONTROLS			FIRING OPERATION			CONTROL CABINIT
	MODEL	MOTOR HP	240-60-1	3 PHASE (1) (2)	RA890F	RM7895A	RM7840	LO FIRE	L-H-L (3)	MOD (3)	
8-1094	CR3	1 1/2	N.C.	STD.	STD.	OPT.	OPT.	STD.	OPT.	OPT.	STD.
11-1394	CR3	1 1/2	N.C.	STD.	N.A.	STD.	OPT.	STD.	OPT.	OPT.	STD.
14-1794	CR4	3	N.A.	STD.	N.A.	STD.	OPT.	STD.	OPT.	OPT.	STD.
1894	CR4	5	N.A.	STD.	N.A.	STD.	OPT.	STD.	OPT.	OPT.	STD.
19-2094	CR4	5	N.A.	STD.	N.A.	N.A.	STD.	N.A.	N.A.	STD.	STD.
21-2294	CR5	5	N.A.	STD.	N.A.	N.A.	STD.	N.A.	N.A.	STD.	STD.
23-2594	CR5	7 1/2	N.A.	STD.	N.A.	N.A.	STD.	N.A.	N.A.	STD.	STD.

- NOTE:**
1. Control Circuit Transformer included with 3 phase motor only.
 2. 208-60-3, 240-60-3, 460-60-3, 575-60-3 Available. Specify on order
 3. Does Not Include Controller.
 4. Fuel Ignition - Proven gas Pilot

GAS/OIL FIRED BOILER NUMBER	GAS/OIL BURNER (4)		MOTOR CURRENT		BURNER CONTROLS			FIRING OPERATION			CONTROL CABINIT
	MODEL	MOTOR HP	240-60-1	3 PHASE (1) (2)	RA890F	RM7895A	RM7840	LO FIRE	L-H-L (3)	MOD (3)	
8-994	CR3	2	N.C.	STD.	STD.	OPT.	OPT.	STD.	OPT.	OPT.	STD.
10-1394	CR3	2	N.C.	STD.	N.A.	STD.	OPT.	STD.	OPT.	OPT.	STD.
14-1794	CR4	5	N.A.	STD.	N.A.	STD.	OPT.	STD.	OPT.	OPT.	STD.
1894	CR4	5	N.A.	STD.	N.A.	STD.	OPT.	STD.	OPT.	OPT.	STD.
19-2094	CR4	5	N.A.	STD.	N.A.	N.A.	STD.	N.A.	N.A.	STD.	STD.
21-2294	CR5	5	N.A.	STD.	N.A.	N.A.	STD.	N.A.	N.A.	STD.	STD.
23-2594	CR5	7 1/2	N.A.	STD.	N.A.	N.A.	STD.	N.A.	N.A.	STD.	STD.

- NOTE:**
1. Control Circuit Transformer included with 3 phase motor only.
 2. 208-60-3, 240-60-3, 460-60-3, 575-60-3 Available. Specify on order
 3. Does Not Include Controller.
 4. Fuel Ignition - Proven gas Pilot for Gas - Direct Spark for Oil

In the interest of continual improvements in product and performance, Weil-McLain reserves the right to change specifications without notice.

FOR OTHER ADDITIONAL BOILER EQUIPMENT AND CONTROLS - SEE SECTION 5

AQUA PLUS



HEATER MODEL NUMBER	RECOVERY U.S. G.P.H AS PER AHRI 77 °F TEMP RISE (1)		DOMESTIC CAPACITY U.S. GAL.	REQUIRED BOILER OUTPUT MBH	SHP WGT	PART NUMBER PEWTER
	1ST HOUR	CONTINUOUS				
AQUA PLUS 35	230.0	203.9	29.6	170	94	633-500-000
AQUA PLUS 45	263.7	228.2	39.9	190	111	633-500-001
AQUA PLUS 55	322.9	265.8	53.1	210	122	633-500-002
AQUA PLUS 85	341.4	270.3	80.6	300	223	633-500-003
AQUA PLUS 105	453.7	373.0	109.4	350	238	633-500-004

(1) Based on boiler water supply temperature of 180 °F to heater

Standard Equipment

AHRI Certified - The Trusted Mark of Performance Assurance
 Factory Pressure Tested
 150 PSI T&P Relief Valve Included
 316L Welded Stainless Steel Tank
 304L Stainless Steel Coil over 1 inch in Diameter
 Exclusive replaceable anode
 Limited Lifetime Warranty
 Dedicated Recirculation Tapping
 Two Inch Thick CFC-Free Foam Installation
 Large Inspection Port For Easy Cleaning & Service

Ratings - (With 50°F domestic water inlet and stated other conditions)

Aqua Plus Model	200°F Boiler Water		
	Boiler Out	115°F DHW	140°F DHW
	MBH	GPH	GPH
35	170	337	223
45	190	363	243
55	210	443	302
85	300	551	374
105	350	715	483

Aqua Plus Model	190°F Boiler Water		
	Boiler Out	115°F DHW	140°F DHW
	MBH	GPH	GPH
35	170	311	202
45	170	335	222
55	190	411	278
85	250	511	343
105	350	662	442

Aqua Plus Model	180°F Boiler Water		
	Boiler Out	115°F DHW	140°F DHW
	MBH	GPH	GPH
35	150	284	181
45	150	307	200
55	190	378	252
85	250	470	310
105	300	608	400

Dimensions

Aqua Plus Model
 DHW In/Out & Recirc
 Boiler Water In/Out
 A Dimension (in.)
 B Dimension (in.)
 C Dimension (in.)
 D Dimension (in.)
 E Dimension (in.)
 F Dimension (in.)
 G Dimension (in.)

35	45	55	85	105
3/4 in NPT			1 in NPT	
1 in NPT			1 in NPT*	
36 3/8	46 1/4	60	59 1/2	59 3/4
7 7/8	7 7/8	7 7/8	10 3/8	14 1/4
24	26	29 7/8	33 1/4	41 3/8
21 7/8	21 7/8	21 7/8	26	30
7 3/8	7 3/8	7 3/8	8 7/8	9 7/8
17 5/8	21 1/4	28 1/8	31 1/2	29 5/8
28	37 7/8	51 3/8	50 3/8	48 5/8

* 1 1/4" piping required



Tank Model 35, 45, 55, 85, 105

Key Features:

1. Boiler water inlet
2. Boiler water outlet
3. Cold water inlet
4. Hot water outlet
5. Domestic water recirculation inlet
6. Inspection hatch and cover with thermostat knob
7. Magnesium anode rod
8. T&P relief valve connection



In the interest of continual improvements in product and performance, Weil-McLain reserves the right to change specifications without notice.

FOR OTHER ADDITIONAL BOILER EQUIPMENT AND CONTROLS - SEE SECTION 5

AQUA LOGIC

WM97+ COMPANION WATER HEATER



MODEL	SHIPPING WEIGHT		PART NUMBER					
AQUA LOGIC COMPANION WATER HEATER	80		635-800-513					
BOILER MODEL	AQUA LOGIC CAPACITY GPM @ 50F TEMP RISE (For DHW entering temperature of 65 F - Capacities will decrease at Higher DHW water inlet temperatures)							
	AQUA LOGIC PERFORMANCE MODE:							
	HIGH (170 F Storage)			NORMAL (150 F Storage)			ECONOMY (135 F Storage)	
	GPM @ 8-MIN DRAW	GPM @ 15-MIN DRAW	GPM @ CONTINUOUS DRAW	GPM @ 8-MIN DRAW	GPM @ 15-MIN DRAW	GPM @ CONTINUOUS DRAW	GPM @ 8-MIN DRAW	GPM @ CONTINUOUS DRAW
WM97+-70	4.6	3.7	2.5	3.5	2.9	2.5	2.5	2.0
WM97+-110	5.1	4.3	3.6	4.0	3.4	3.3	2.5	2.0
WM97+-155	6.1	5.6	4.2	4.0	3.5	3.4	2.6	2.0
BOILER MODEL	AQUA LOGIC CAPACITY GPM @ 70F TEMP RISE (For DHW entering temperature of 45 F - Capacities will decrease at Higher DHW water inlet temperatures)							
	AQUA LOGIC PERFORMANCE MODE:							
	HIGH (170 F Storage)			NORMAL (150 F Storage)			ECONOMY (135 F Storage)	
	GPM @ 8-MIN DRAW	GPM @ 15-MIN DRAW	GPM @ CONTINUOUS DRAW	GPM @ 8-MIN DRAW	GPM @ 15-MIN DRAW	GPM @ CONTINUOUS DRAW	GPM @ 8-MIN DRAW	GPM @ CONTINUOUS DRAW
WM97+-70	4.0	2.9	1.7	3.2	2.3	1.7	2.3	1.6
WM97+-110	4.1	3.4	2.7	3.2	2.6	2.5	2.4	1.6
WM97+-155	4.2	3.5	3.1	3.2	2.7	2.5	2.5	1.6

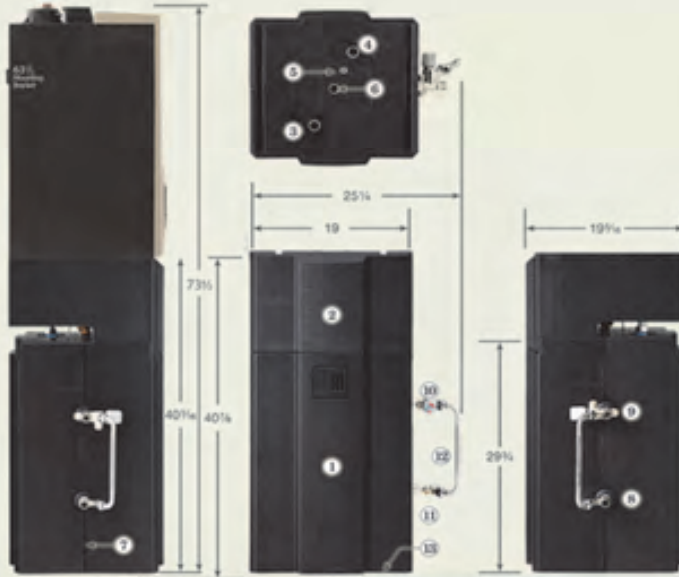
Standard Equipment

Thermostatic Mixing Valve
 3/4" Temperature & Pressure Valve
 Drain Valve
 Taco 3 Speed Circulator (selector switch)
 Two 1" 316L Stainless Steel Flexible Connection Hoses
 Leveling Legs
 Two Tank Temperature Sensors
 Wire Harness & Plugs For Quick Boiler Control Connection
 18.2 Gallon 316L Stainless Steel Tank
 1 1/4" Diameter 304 Stainless Steel Coil



1. Aqua logic water heater, tank and enclosure
 Tank can be oriented with DHW inlet/outlet connection on right or rotated 180 Degrees to place DHW connection on the left.

- Aqua logic piping access cover
- Boiler water RETURN connection (to boiler) (1" M-NPT)
- Boiler water SUPPLY connection (from boiler) (1" M-NPT)
- Top Tank Temperature Sensor
- T&P relief valve tapping (3/4" F-NPT)
- Lower tank temperature sensor
- DHW inlet connection (3/4" M-NPT)
- DHW outlet connection (3/4" M-NPT)
- Mixing valve (Honeywell AMX300T)
- Mixing valve return fitting
- Cold water connection to mixing valve
- Leveling Legs



In the interest of continual improvements in product and performance, Weil-McLain reserves the right to change specifications without notice.

FOR OTHER ADDITIONAL BOILER EQUIPMENT AND CONTROLS - SEE SECTION 5

MAXI-FLO

POOL HEAT EXCHANGERS



EXCHANGER MODEL NUMBER	DIAMETER INCHES	HEIGHT INCHES	BOILER OUTPUT MBH	SHP WGT	PART NUMBER
WMPH - 95	4 1/2	16 1/2	95	6	636-000-030
WMPH - 135	5 1/8	13 1/2	135	8	636-000-031
WMPH - 200	5 1/8	18 3/4	200	11	636-000-032
WMPH - 260	5 1/8	23 3/4	260	14	636-000-033
WMPH - 400	5 1/8	41 3/4	400	24	636-000-034

SIZING MAXI-FLO HEAT EXCHANGERS FOR POOL APPLICATIONS:

CALCULATION:

STEP 1: Determine Heat up rate.

The Heat up rate is 1°F for extended use pools (summer season), 2°F is used for periodic use pools.

STEP 2: Determine Pool Capacity.

Rectangular Pools = 7.5 x Length x Width x Depth (in feet)

Circular Pools = 5.9 x Length x Width x Depth (in feet)

STEP 3: Select Maxi-Flo Heat Exchanger From Chart

Found in Maxi-flo manual. Select Maxi-flo heat exchanger and recommended boiler output based on selected heat up rate.

STEP 4: Check Heat Loss to Surroundings.

Heat Loss (in Btu/ hr) =

12 x Pool Surface Area x (Desired Pool Temp - Coldest Average Air Temp during use)

Boiler Output in Step 3 must be greater then heat loss to surroundings.

EXAMPLE:

Determine the boiler output and heat exchanger required for a 30 foot long by 16 foot wide by 5.5 average depth pool. The pool is for extended use during the summer season. The Coldest air temperature anticipated is 65° F.

STEP 1:

For extended use, the desired heat-up rate is 1°F/ Hour.

STEP 2:

Pool capacity = 7.5x30'x16'x5.5=19,800 gallons.

STEP 3:

(Selection table located in the maxi-flo manual) A 20,000 gallon pool capacity and 1°F heat up rate requires: A Boiler Output of 167,00 Btu/ Hr and Heat Exchanger Model - WMPH-200. Boiler output is greater then the heat loss to the surroundings.

STEP 4:

Surface Area: 30ft. x 16ft = 450 sq. ft.

Heat Loss: 12 x 480 x (80°F-65°F) = 86,400 BTU

In the interest of continual improvements in product and performance, Weil-McLain reserves the right to change specifications without notice.

FOR OTHER ADDITIONAL BOILER EQUIPMENT AND CONTROLS - SEE SECTION 5

Brazed Plate

HEAT EXCHANGERS



BRAZED PLATE HEAT EXCHANGERS

EXCHANGER MODEL NUMBER	HEIGHT INCHES	WIDTH INCHES	DEPTH INCHES	SHP WGT	PART NUMBER
WMBP1 - 14E	8	2 7/8	1 5/8	3	636-000-001
WMBP1 - 20E	8	2 7/8	2	4	636-000-002
WMBP1 - 30E	8	2 7/8	3	5	636-000-003
WMBP3 - 14	6 1/2	4 5/8	1 5/8	5	636-000-004
WMBP3 - 20	6 1/2	4 5/8	2	6	636-000-005
WMBP3 - 40	6 1/2	4 5/8	4	8	636-000-006
WMBP4 - 10	12 7/8	4 5/8	1 1/4	7	636-000-007
WMBP4 - 14	12 7/8	4 5/8	1 5/8	8	636-000-008
WMBP4 - 24	12 7/8	4 5/8	2 1/2	10	636-000-009
WMBP4 - 30	12 7/8	4 5/8	3	12	636-000-010
WMBP4 - 50	12 7/8	4 5/8	4 7/8	17	636-000-011
WMBP7 - 20	20 5/8	10 3/8	2 1/8	39	636-000-012
WMBP7 - 24	20 5/8	10 3/8	2 1/2	44	636-000-013
WMBP7 - 30	20 5/8	10 3/8	3	52	636-000-014
WMBP7 - 40	20 5/8	10 3/8	3 7/8	65	636-000-015
WMBP7 - 50	20 5/8	10 3/8	4 7/8	78	636-000-016
WMBP7 - 60	20 5/8	10 3/8	5 3/4	92	636-000-017

MATERIALS:

Plates and Connections 316SS
 Brazing Material 99.9% COPPER

OPERATING CONDITIONS:

Max. Working Pressure 450 PSIG
 Max. Working Temp. 365 F

In the interest of continual improvements in product and performance, Weil-McLain reserves the right to change specifications without notice.

FOR OTHER ADDITIONAL BOILER EQUIPMENT AND CONTROLS - SEE SECTION 5

ADDITIONAL EQUIPMENT

Water Level and Safety Controls		PART NUMBER
- No. 247-2	L.W.C.O. and Feeder Combination (30 P.S.I.) (Do Not Use On LGB, 88 or 94)	511-114-510
- No. 51-2	L.W.C.O. and Feeder Combination (35 P.S.I.) (Use On All Boilers Up To 1594)	511-114-520
- No. 51-S-2	L.W.C.O. and Feeder Combination (35 P.S.I.) (Use On All Boilers)	511-114-521
- No. 61	Low Water Cut-Off (20 P.S.I.) (Use On All Boilers) (Std. With All Steam Boilers)	511-114-474
- No. 63(M)	Low Water Cut-Off (50 P.S.I.) (Use On All Boilers)	511-114-479
- No. 64	Low Water Cut-Off (50 P.S.I.) (Use On All Boilers)	511-114-473
- No. 93	L.W.C.O. and Pump Control (150 P.S.I.) (Use On All Boilers)	511-114-477
- No. 193	L.W.C.O. and Pump Control (With Water Column) (150 P.S.I.) (For All Boilers)	511-114-506
- No. 150S-MD	L.W.C.O. and Pump Control (150 P.S.I.) (Do Not Use On 94)	511-114-526
- No. 157S-MD	L.W.C.O. & Pump Control (Less Gauge Glass & Cocks) (150 P.S.I.) (Not for 94)	511-114-527
- No. 750P	L.W.C.O. Probe Type with Manual Reset. 750P-MT-120 MM1354081 with Probe Inside (Water Onl	511-115-016
- No. TC-4	Test-N-Check Valves (Simplify Testing L.W.C.O. on Water Boilers Only)	511-114-615

Temperature and Pressure Controls		PART NUMBER
- PA404A1009	High Limit Pressure Control	510-312-135
- L4006A1017	High Temperature Limit Control with Well	510-312-043
- L4006E1000	Manual Reset High Temperature Limit Control with Well	510-312-041
- L4079B1033	Manual Reset High Limit Pressure Control	510-312-060
- L4081A1171	Dual High Limit and Operating Control with Well	510-312-065

Temperature and Pressure Gauges		PART NUMBER
- 5" Dia. (127 mm) Dial Thermometer 1/2" N.P.T. Range 10 to 150° C and 50 to 300° F		510-218-202
- 3-1/2" Dia. (90 mm) Dial Pressure Gauge 1/4" N.P.T. Back Range 0 to 60 P.S.I. & 0 to 406 KPA		510-218-206
- 4-1/2" Dia. (114 mm) Dial Pressure Gauge 1/4" N.P.T. Back Range 0 to 60 P.S.I. & 0 to 406 KPA		510-218-207
- 6" Dia. (152 mm) Dial Steam Gauge 1/4" N.P.T. Bot. Range 0 to 30 P.S.I. and 0 to 203 KPA		510-218-087

In the interest of continual improvements in product and performance, Weil-McLain reserves the right to change specifications without notice.

FOR OTHER ADDITIONAL BOILER EQUIPMENT AND CONTROLS - SEE SECTION 5

Multiple Boiler Controls

INDOOR/OUTDOOR

	DESCRIPTION	PART NUMBER
BCP-3	Indoor / Outdoor water temperature control with adjustable reset ratio. 2 to 3 on-off boilers or 1 Lo/Hi/Lo boiler (complete with sensors)	389-900-220
BCP-8	Eight stage Indoor/ Outdoor reset control or constant temperature control	
	Water	389-900-221
	Steam	389-900-222
	BCP-8 Extension Module	389-900-223
	BMC Multiple Water Boiler Modulating Control	389-900-224
	BMC Extension Module	389-900-225
	BMC 4-20mA Input Module	389-900-226
	BSC Multiple Water/ Steam Sequencing/ Modulating Control	389-900-219
	BSCNET Sequencing/ Modulating Control with BacNET	389-900-228
Accessories	(Sensors included with every model except BSC and BSCNET)	
	Universal 3-in-1 Temperature Outdoor Sensor Kit (water only) (includes indoor system sensor)	389-900-229
	Brass tube sensor w/ 8" of wire - indoor system sensor (water only)	389-900-230
	Pressure sensor assembly (less siphon) (steam only)	511-624-643



In the interest of continual improvements in product and performance, Weill-McLain reserves the right to change specifications without notice.

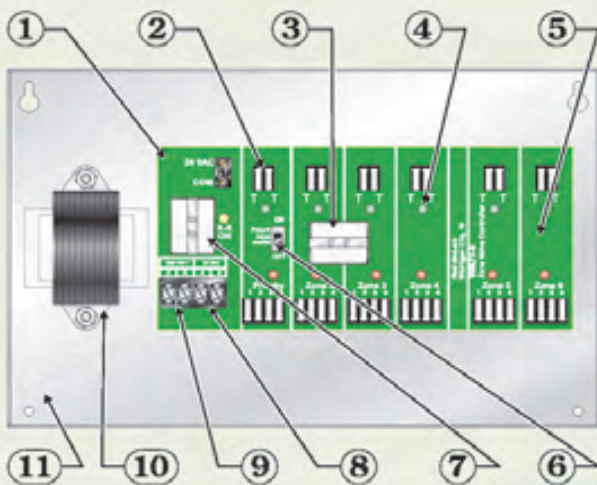
FOR OTHER ADDITIONAL BOILER EQUIPMENT AND CONTROLS - SEE SECTION 5

Multiple Boiler Zone Controls

Zone Controls

Description	PART NUMBER
WMR-21 - DPST Relay	389-900-200
WMR-22 - DPDT Relay	389-900-201
WMCR-2 - 2 Zone Circulator Control	389-900-202
WMCR-3 - 3 Zone Circulator Control	389-900-203
WMCR-4 - 4 Zone Circulator Control	389-900-204
WMCR-6 - 6 Zone Circulator Control	389-900-205
WMZV-4 - 4 Zone Valve Control	389-900-206
WMZV-6 - 6 Zone Valve Control	389-900-207
WMCR-1E - 1 Zone Exp Module	389-900-208
WMCR-4E - 4 Zone Exp Module	389-900-209
WM-ODR - Outdoor Reset Control	389-900-210

- 1) Doubled sided printed circuit board construction is 100% factory tested.
- 2) Clearly marked terminals with quick connect screwless clamps.
- 3) Plug-in replacement priority relay.
- 4) LED diagnostic lights for easy troubleshooting.
- 5) Will operate four or six 24-volt (powered open or powered close) Zone valves including: Taco, Superior, Erie, Honeywell, B & G, SPARCO and most other motorized heat motor type valves.
- 6) Switchable priority improves versatility.
- 7) Plug-in Replacable isolated contact relay.
- 8) 24 VAC constant power for 5-wire zone valves (such as Honeywell VC Series 40 and 80 valves.)
- 9) Isolated end switch terminals, X-X
- 10) Powerful transformer (40 VA on WMZV-4, 75 VA on WMZV-6)
- 11) Galvanized steel enclosure with enamel painted cover.



In the interest of continual improvements in product and performance, Weil-McLain reserves the right to change specifications without notice.

FOR OTHER ADDITIONAL BOILER EQUIPMENT AND CONTROLS - SEE SECTION 5

BASEBOARD



RC TYPE CAST IRON BASEBOARD PANELS

Pricing includes air seal, holding clips, centre supports, air vent plug, coin air vent valves, plugs and wall clips and push nipples.

DESCRIPTION	SIZE	PART NUMBER
Left Hand Leg Panels	1'- 6"	623-900-100
	2'	623-900-103
Intermediate Panels	2'	623-900-150
Right Hand Leg Panels	1'	623-900-120
	2'	623-900-123
Complete Panels	1'	190-100-000
	1'-6"	190-100-002
	2'	190-100-004

CAST IRON BASEBOARD SHIPPING WEIGHT

14 Lbs. Per Linear Foot

RATING PER LINEAR FOOT

STEAM RATING SQ. FT. STEAM @ 215° F.	HOT WATER RATINGS IN B.T.U. PER HOUR 500 LBS PER HOUR FLOW RATE AVERAGE WATER TEMPERATURE BETWEEN INLET & OUTLET						
	150° F	160° F	170° F	180° F	190° F	200° F	215° F
3.35	390	450	510	570	640	700	800

CAST IRON BASEBOARD ACCESSORIES

DESCRIPTION	PART NUMBER
Valve Enclosure (End Cover Not Included)	624-900-100
5 1/2" Plain Enclosure (End Covers Not Included)	624-900-105
10" Plain Enclosure (End Covers Not Included)	624-900-110
L.H. End Cover	624-900-115
R.H. End Cover	624-900-120
4" Inside Cover	624-900-125
10" Inside Corner Cover	624-900-130
4" Easy Angle Connector	624-900-175
Outside Corner Cover	624-900-135
* Metal Extension – Matched 6' Length Set	624-900-145
Assembly Clamp – Lever Type	624-900-170
Push Nipples	625-100-115

In the interest of continual improvements in product and performance, Weil-McLain reserves the right to change specifications without notice.

FOR OTHER ADDITIONAL BOILER EQUIPMENT AND CONTROLS - SEE SECTION 5

Warranty

Effective for Boilers manufactured on or after March 17, 2014

Product	Models	Limited Warranty
Ultra High Efficiency Gas Boiler	80 – 310 (Residential) 80-399 (Commercial)	Residential: 12 years – Heat Exchanger Replacement 2 Years – Parts Commercial: 10 years – Heat Exchanger Replacement 1 year – All other parts <small>See your representative for Additional Warranty Registration</small>
WM87+ High Efficiency Gas Boiler	70-155	Residential: 12 years – Heat Exchanger Replacement 2 years – All other parts Commercial: 10 years – Heat Exchanger Replacement 1 year – All other parts
EVG High Efficiency Gas Boiler	220-399	Residential: 12 years – Heat Exchanger Replacement 2 years – All other parts Commercial: 10 years – Heat Exchanger Replacement 1 year – All other parts
ECO High Efficiency Gas Boiler	70 - 155	Residential: 12 years – Heat Exchanger Replacement 2 years – All other parts Commercial: 10 years – Heat Exchanger Replacement 1 year – All other parts
Cast Iron Gas Boiler	GV90+	Residential: 20 years – Primary Heat Exchanger Replacement 5 years – Secondary Heat Exchanger 2 years – All other parts Commercial: 10 years – Primary Heat Exchanger Replacement 5 years – Secondary Heat Exchanger 1 year – All other parts
Cast Iron Gas Boiler	CGa, CGI, CGs, CGt	Residential: 20 years – Heat Exchanger Replacement 2 years – All other parts Commercial: 10 years – Heat Exchanger Replacement 1 year – All other parts
Cast Iron Gas Boiler	EG – Water Applications	Residential: 20 years – Heat Exchanger Replacement 2 years – All other parts Commercial: 10 years – Heat Exchanger Replacement 1 year – All other parts
Cast Iron Gas Boiler	EG & PEG – Steam Applications	Residential: 10 years – Heat Exchanger Replacement 2 years – All other parts Commercial: 10 years – Heat Exchanger Replacement 1 year – All other parts
Cast Iron Oil Boiler	WGO, WTGO, Ultra Oil	Residential: 20 years – Heat Exchanger Replacement 2 years – All other parts Commercial: 10 years – Heat Exchanger Replacement 1 year – All other parts

In the interest of continual improvements in product and performance, Weil-McLain reserves the right to change specifications without notice.

FOR OTHER ADDITIONAL BOILER EQUIPMENT AND CONTROLS - SEE SECTION 5

Warranty

Effective for Boilers manufactured on or after March 17, 2014... continued

Product	Models	Limited Warranty
Cast Iron Oil Boiler	SGO	Residential: 10 years – Heat Exchanger Replacement 2 years – All other parts Commercial: 10 years – Heat Exchanger Replacement 1 year – All other parts
Slimfit High Efficient Commercial Condensing Boiler	SF1000 / SF1500 / SF2000	Residential: 10 years – Heat Exchanger Replacement 2 year – All other parts Commercial: 10 years – Heat Exchanger Replacement 2 year – All other parts
Ultra Gas Boiler	550 & 750	Residential: 10 years – Heat Exchanger Replacement 2 year – All other parts Commercial: 10 years – Heat Exchanger Replacement 2 year – All other parts
Cast Iron Gas Boiler	EGH	Residential: 10 years – Heat Exchanger Replacement 1 year – All other parts Commercial: 10 years – Heat Exchanger Replacement 1 year – All other parts
Cast Iron Gas Boiler	LGB	Residential: 10 years – Heat Exchanger Replacement 1 year – All other parts Commercial: 10 years – Heat Exchanger Replacement 1 year – All other parts
Cast Iron Gas & Oil Boilers	80, 88, 94	Residential: 10 years – Heat Exchanger Replacement 1 year – All other parts Commercial: 10 years – Heat Exchanger Replacement 1 year – All other parts
Cast Iron Gas Boiler	PFG	Discontinued
Indirect-Fired Water Heater	Aqua Plus	Residential: 12 years – Tank Assembly 2 years – All other parts Commercial: 7 years – Tank Assembly 1 year – All other parts
Indirect-Fired Water Heater	AquaLogic	Residential: 12 years – Tank Assembly 2 years – All other parts Commercial: 10 years – Tank Assembly 1 year – All other parts
Boiler and Heating Systems Parts & Accessories		1 year

In the interest of continual improvements in product and performance, Weil-McLain reserves the right to change specifications without notice.

FOR OTHER ADDITIONAL BOILER EQUIPMENT AND CONTROLS - SEE SECTION 5

Warranty

Effective for Boilers manufactured on or after October 10, 2011, but before March 17, 2014

Product	Models	Limited Warranty
Ultra High Efficiency Gas Boiler	80 – 399	Residential: 15 years – Heat Exchanger Replacement. Prorated after 10 Years 1 years – Parts Commercial: 15 years – Heat Exchanger Replacement 1 year – All other parts
High Efficiency Gas Boiler	WM97+	Residential: 12 years – Heat Exchanger Replacement 2 years – All other parts Commercial: 12 years – Heat Exchanger Replacement 1 year – All other parts
ECO High Efficiency Gas Boiler	70 – 155	Residential: 10 years – Heat Exchanger Replacement 1 years – All other parts Commercial: 10 years – Heat Exchanger Replacement 1 year – All other parts
Cast Iron Gas Boiler	GV90+	Residential: 20 years – Cast Iron Heat Exchanger 5 years – Stainless Steel Heat Exchanger 2 years – All other parts Commercial: 10 years – Cast Iron Heat Exchanger 5 years – Stainless Steel Heat Exchanger 1 year – All other parts
Cast Iron Gas Boiler	CGa, CGi, CGs, CGt	Residential: 20 years – Heat Exchanger Replacement 2 years – All other parts Commercial: 10 years – Heat Exchanger Replacement 1 year – All other parts
Cast Iron Gas Boiler	EG – Water Applications	Residential: 20 years – Heat Exchanger Replacement 2 years – All other parts Commercial: 10 years – Heat Exchanger Replacement 1 year – All other parts
Cast Iron Gas Boiler	EG & PEG – Steam Applications	Residential: 10 years – Heat Exchanger Replacement 2 years – All other parts Commercial: 10 years – Heat Exchanger Replacement 1 year – All other parts
Cast Iron Oil Boiler	WGO, WTGO, Ultra Oil	Residential: 20 years – Heat Exchanger Replacement 2 years – All other parts Commercial: 10 years – Heat Exchanger Replacement 1 year – All other parts

In the interest of continual improvements in product and performance, Weil-McLain reserves the right to change specifications without notice.

FOR OTHER ADDITIONAL BOILER EQUIPMENT AND CONTROLS - SEE SECTION 5

Warranty

Effective for Boilers manufactured on or after October 10, 2011... continued

Product	Models	Limited Warranty
Cast Iron Oil Boiler	SGO	Residential: 10 years – Heat Exchanger Replacement 2 years – All other parts Commercial: 10 years – Heat Exchanger Replacement 1 year – All other parts
Slimfit High Efficient Commercial Condensing Boiler	SF1000 / SF1500 / SF2000	Residential: 10 years – Heat Exchanger Replacement 2 year – All other parts Commercial: 10 years – Heat Exchanger Replacement 2 year – All other parts
Ultra Gas Boiler	550 & 750	Residential: 10 years – Heat Exchanger Replacement 2 years – All other parts Commercial: 10 years – Heat Exchanger Replacement 2 year – All other parts
Cast Iron Gas Boiler	EGH	Residential: 10 years – Heat Exchanger Replacement 1 year – All other parts Commercial: 10 years – Heat Exchanger Replacement 1 year – All other parts
Cast Iron Gas Boiler	LGB	Residential: 10 years – Heat Exchanger Replacement 1 year – All other parts Commercial: 10 years – Heat Exchanger Replacement 1 year – All other parts
Cast Iron Gas & Oil Boilers	80, 88, 94	Residential: 10 years – Heat Exchanger Replacement 1 year – All other parts Commercial: 10 years – Heat Exchanger Replacement 1 year – All other parts
Cast Iron Gas Boiler	PFG	Residential: 10 years – Heat Exchanger Replacement (Boiler Replacement) 1 year – All other parts Commercial: 10 years – Heat Exchanger Replacement (Boiler Replacement) 1 year – All other parts
Indirect-Fired Water Heaters		Residential: Lifetime Limited – Tank Assembly 1 year – All other parts Commercial: 15 years – Tank Assembly (Prorated after 5 years) 1 year – All other parts
Boiler and Heating Systems Parts & Accessories		1 year

In the interest of continual improvements in product and performance, Weil-McLain reserves the right to change specifications without notice.

FOR OTHER ADDITIONAL BOILER EQUIPMENT AND CONTROLS - SEE SECTION 5

Warranty

Effective for Boilers manufactured prior to October 10, 2011

Product	Models	Limited Warranty
Ultra Gas Boilers	80 - 399	15 years - Heat Exchanger Replacement. Prorated after 10 years. 1 years - Parts
Ultra Gas Boilers	550 & 750	10 year - Heat Exchanger Replacement 2 years - All other parts
Cast Iron Gas Boiler	GV90+	Residential: 20 years - Primary Heat Exchanger 5 years - Secondary Heat Exchanger 2 years - All other parts Commercial: 10 years - Primary Heat Exchanger 5 years - Secondary Heat Exchanger 1 year - All other parts
Cast Iron Boilers	Residential - Water	Lifetime Limited - Cast Iron Sections 1 year - All other parts
Cast Iron Boilers	Residential - Steam	10 years - Cast Iron Sections 1 year - All other parts
Cast Iron Boilers	Commercial	10 years - Cast Iron Sections 1 year - All other parts
Indirect-Fired Water Heaters		Residential: Lifetime Limited - Tank Assembly 1 year - All other parts Commercial: 15 years - Tank (Prorated after 5 years) Assembly 1 year - All other parts
Boiler and Heating Systems Parts & Accessories		1 year

In the interest of continual improvements in product and performance, Weil-McLain reserves the right to change specifications without notice.

FOR OTHER ADDITIONAL BOILER EQUIPMENT AND CONTROLS - SEE SECTION 5

WEIL-McLAIN Canada Sales Inc. – Terms and Conditions for Sale

Trade Prices – All prices and terms shown herein supersede all prior Trade Price Books, List Price Sheets, Price Lists, Stocking Distributor Discount Schedules, and quotations and are subject to change or withdrawal without notice.

Orders are accepted only with the understanding that invoicing will be at the prices and discounts in effect at the time of shipment and are subject to the terms, conditions and provisions contained in this Trade Price Book, order status reports, invoices, sales department bulletins and quotation forms. Orders shall not result in a contract until accepted and acknowledged by Weil-McLain at our home office in Burlington, Ontario. Weil-McLain is not bound by any terms on Distributors' order forms that attempt to impose any conditions at variance with Weil-McLain's Terms and Conditions for Sale.

Our Trade Price Schedules are for use by Weil-McLain Distributors and their contractor-customers as a listing of current hydronic products with suggested trade prices. These prices, however, do not necessarily represent price levels in Distributors' local markets, nor do they limit in any way the Distributor's right to set their prices for resale.

Quotations – All written quotations automatically expire unless accepted within thirty (30) days of the date quoted, unless otherwise stipulated.

Submittals – Where submittal material is required for a specific installation we must receive a "hold for approval" purchase order at our home office in Burlington at the time of request for submittal. If a Weil-McLain quotation has been given, this quotation or quotation number must be a part of the purchase order. Release of such purchase order must be either by copy of the approved submittal, a copy of our submittal with noted changes, or release of the purchase order as written. We cannot accept orders that are marked "per specifications."

Payment and Cash Discount – Invoices will be subject to one of the following:

1. Non – stocking distributors: net 30 days from date of invoice.
2. Stocking Distributors: 2% discount **Due the 10th day of the month following the date of invoice** or
3. Invoice will be due **net 30 days** from the date of invoice.

The cash discount is to be computed on the total amount of the invoice before any additions or taxes are applied.

The rate of interest of 2% per month will be charged on all past due accounts.

An order for items which total less than \$25.00 will be shown on the invoice at \$25.00 minimum.

Taxes – Any Sales Taxes payable on the transaction under any effective statute are to be added to the price and terms quoted.

Delivery – Weil-McLain shall not be liable for any delay or failure in delivery of shipment of products or for any damages suffered by reason of such delay or failure, when the delay or failure is directly or indirectly due to fire, flood, accidents, acts of God, riots, war, embargo, labor stoppages, inadequate transportation facilities, shortage of materials or supplies, regulation by Governmental authority or any other cause or causes beyond our reasonable control. Weil-McLain reserves the right to allocate available production among its customers in such manner as it in its sole discretion deems necessary or desirable.

No claims on goods received at variance from order or shortages in orders will be allowed unless presented within ten (10) days after receipt of goods.

The responsibility of Weil-McLain ceases upon delivery of materials in good order to the transportation company. As all merchandise is shipped at consignee's risk, it should be examined carefully before signing delivery receipts. If transportation company tenders delivery of merchandise in bad order, consignee should insist on transportation company's agent making notation of condition on delivery receipt, thus enabling the consignee to secure payment of transportation claims which may be filed by him for value of damaged material. No claims on goods received damaged will be allowed unless presented within ten (10) days after receipt of goods.

Transportation – Shipments of Weil-McLain products are f.o.b. Burlington, Ontario, Canada.

Freight allowance to one destination for Commercial cast iron products is 20,000 lbs. min or 20+ Residential Boilers.

Any additional service charges performed by carrier at destination that are not included in the road haul rate are the responsibility of the consignee.

Weil-McLain reserves the choice of transportation facilities and shipping point.

Freight allowances and freight program are subject to change without notice.

Labour or Material Claims – Weil-McLain will not be responsible for any labour or material claims without prior written approval from the Burlington, Ontario facility.

Returned Goods – Material not defective and of current standard manufacture must not be returned without first securing a Return Goods Assessment Form (RGA) and when returned it must be crated or cartoned for protection in transportation. It will be subject to a deduction of twenty (25) percent for rehandling, and all transportation charges, including freight and cartage, will be paid by shipper. Credit will not be given for material received in damaged or used condition. Material made on special order or obsolete material is not subject to return. Material will be assessed by Weil-McLain and the assessed value issued via credit note.

