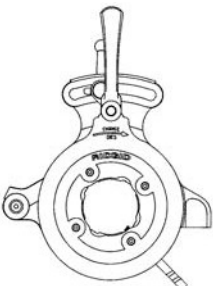
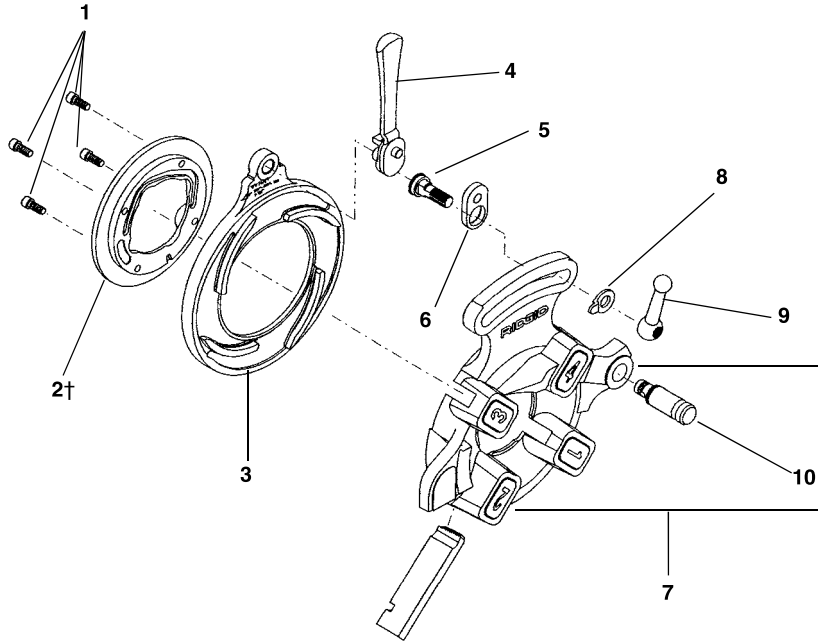


**811A  
842  
555  
531B  
532B  
500A MONO**

**Service Note**



†2 Retaining Ring must be oriented as shown for proper oil flow.



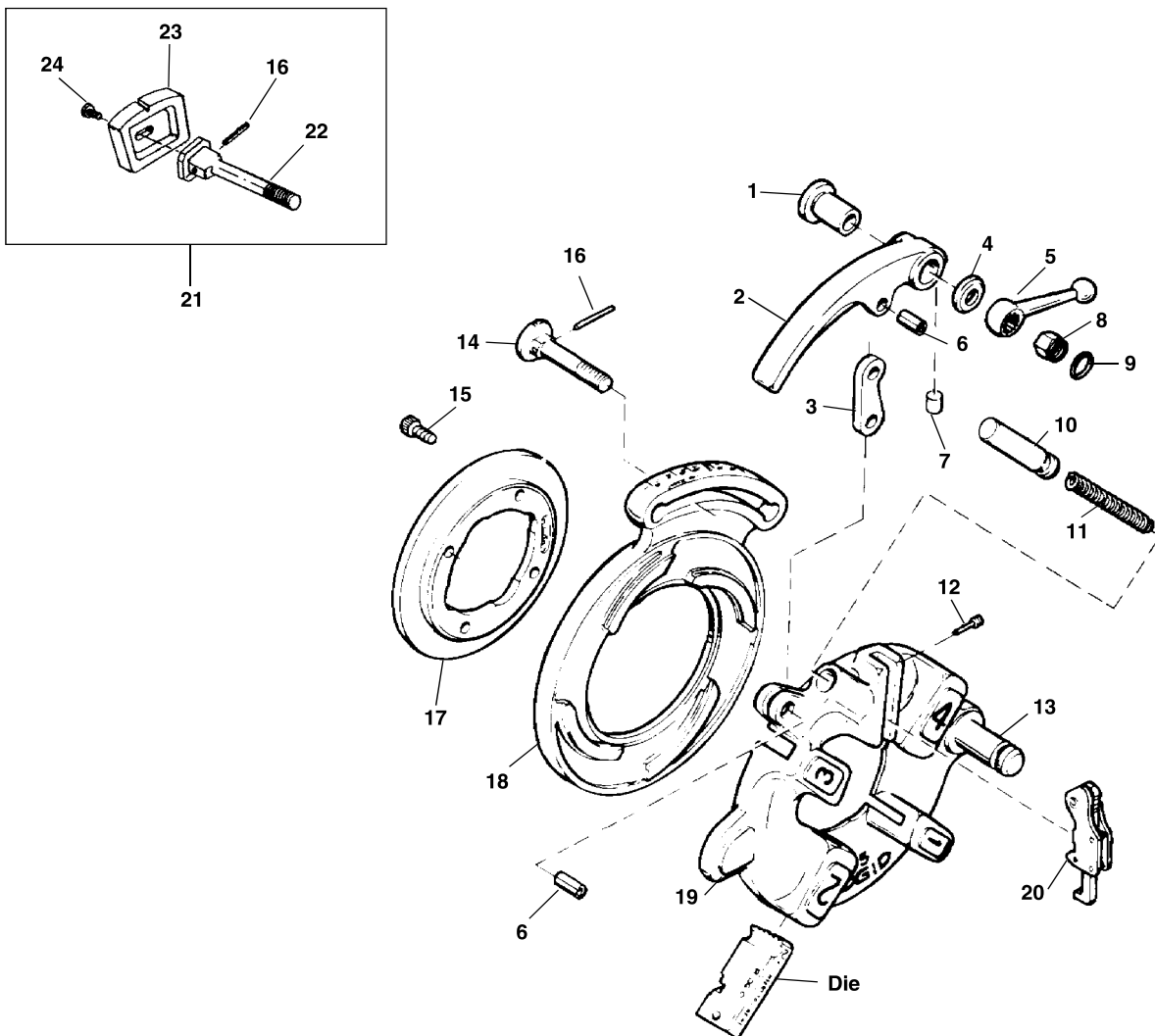
**QUICK OPENING DIE HEADS**

**NOTE: Order parts by Catalog Number only. DO NOT order by Reference Number.**

Ref. No.	1	2†	3	4	5	6	7	8	9	10
Die Head & Catalog No.	Screw	Retaining Ring	Cam Plate	Throw-Out Lever	Lock Screw	Link	Head/w Post	Lever Washer	Clamp Lever	Post
811A (97065) 1/8"-2" RH NPT	32205	97020	43360	46520	39860	39950	40922	26957	39970	59832
842 (23282) 1/8"-2" LH NPT	32205	23292	43360	46520	39860	39950	23287	26957	39970	59832
555 (10491) 1/8"-3/4"	32205	24256	43365	46555	39860	39950	24006	26957	39970	59832
531B (97045) 1/2"-1" RH/LH	32205	46620	43405	46555	39955	39950	97055	26957	39970	59832
532B (97050) 1 1/8"-2" RH/LH	32205	46625	43410	46555	39955	39950	97060	26957	39970	59832
811A (97070) 1/8"-2" BSPT	32205	97020	43360	46520	39860	39950	40957	26957	39970	59832
842 (23297) 1/8"-2" LH (BSPT)	32205	23292	43360	46520	39860	39950	23202	26957	39970	59832
500A Mono (1/8"-3/8") RH 1/8" (41032) 1/4" (41037) 3/8" (41042)	32205	1/8"-41862 1/4"-41867 3/8"-41872	43305	46555	47140	39950	41907	26957	46820*	59832
500A Mono (1/2"-3/4") RH 1/2" (41047) 3/4" (41062)	32205	1/2"-41877 3/4"-41882	43300	46555	47140	39950	41912	26957	46820*	59832
500A Mono (1"-1 1/4") RH 1" (41057) 1 1/4" (41062)	32205	1"-41887 1 1/4"-41892	43295	46555	47140	39950	41917	26957	46820*	59832
500A Mono (1 1/2"-2") RH 1 1/2" (41067) 2" (41072)	32205	1 1/2"-41897 2"-41902	43290	46555	47140	39950	41922	26957	46820*	59832

\*Hex Nut For Mono Die Heads

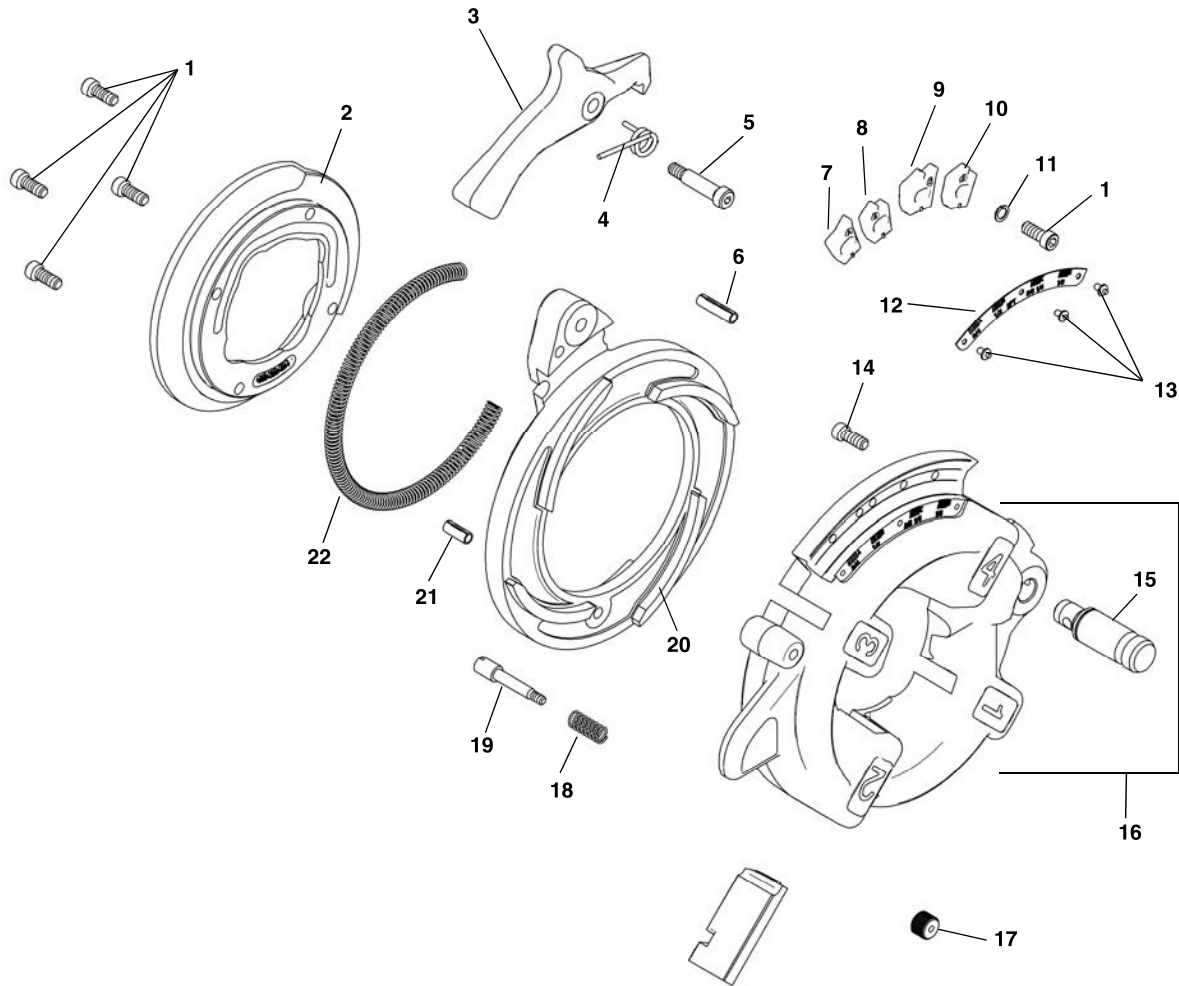
### 815A Self-Opening Through-Head Oiling Die Head



**NOTE: Order parts by Catalog Number only.  
DO NOT order by Reference Number.**

Ref. No.	Catalog No.	Description	Ref. No.	Catalog No.	Description
—	97075	815A Self-Opening (Through-Head-Oiling) Die Head (NPT)	13	59832	Post
	97080	815A Self-Opening (Through-Head-Oiling) Die Head (BSPT)	14	44235	Lock Screw
1	44240	Bushing	15	32205	Screw (4)
2	43830	Throw-Out Lever	16	45050	Pin
3	44265	Throw-Out Link	17	97020	Retaining Ring
4	44245	Washer	18	40942	Cam Plate (815A NPT)
5	44260	Clamp Lever		97040	Cam Plate (815A BSPT)
6	44270	Roll Pin (2)	19	40932	Head w/Post
7	45055	Insert	20	44285	Trigger Assembly
8	44250	Nut		32982	Adj. Trigger Assy. (Europe)
9	44255	Retaining Ring		45327	Trigger Assy. (Europe)
10	44275	Throw-Out Plunger	21	45332	Gauge Plate Assy.
11	11565	Spring	22	46722	Adj. Lock Screw
12	44290	Trigger Screw	23	46717	Gauge Plate
			24	47147	Buttonhead Screw

NOTE: Early Style 815/845 parts interchangeable with 815A NPT  
Early Style 855 parts interchangeable with 815A BSPT



**NOTE: Order parts by Catalog Number only.  
DO NOT order by Reference Number.**

Ref. No.	Catalog No.	Description	Ref. No.	Catalog No.	Description
—	84537	816 Die Head 1/8" - 3/4"	11	44740	Split Lock Washer, 1/4" (4)
—	84532	817 Die Head 1" - 2"	12	92772	Size Plate 816 1/8" - 3/4"
1	40910	Screw, 1/4" - 20 x 3/4" S.H.C.S. (8)	92777	92777	Size Plate 817 1" - 2"
2	92767	Retaining Ring	13	85920	Pop Rivet 3/32" (3)
3	92822	Handle	14	32145	Screw, 1/4" - 20 x 1/2" S.H.C.S.
4	92817	Spring	15	59832	Die Head Post
5	92812	Shoulder Bolt	16	92757	Die Head Body w/Post
6	92832	Roll Pin 1/4" x 3/8"	17	92802	Plunger Knob
7	92782	Adjusting Block 816/817 3/4", 2" Type A	18	92807	Plunger Spring
8	92787	Adjusting Block 816 1/2" Type B	19	92797	Plunger Shaft
	92782	Adjusting Block 817 1 1/2" Type A	20	92762	Cam Plate
9	92792	Adjusting Block 816 1/4", 3/8" Type C	21	58090	Roll Pin 1/4" x 1"
	92787	Adjusting Block 817 1 1/4" Type B	22	92827	Spring
10	92787	Adjusting Block 816/817 1/8", 1" Type B			