



# Installation and Maintenance Instructions

## Limited One Year Warranty

T&S warrants to the original purchaser (other than for purposes of resale) that such product is free from defects in material and workmanship for a period of one (1) year from the date of purchase. During this one-year warranty period, if the product is found to be defective, T&S shall, at its options, repair and/or replace it. To obtain warranty service, products must be returned to...

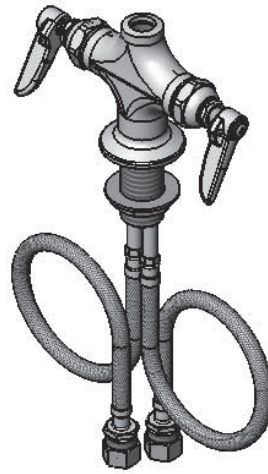
*T&S Brass and Bronze Works, Inc.  
Attn: Warranty Repair Department  
2 Saddleback Cove  
Travelers Rest, SC 29690*

Shipping, freight, insurance, and other transportation charges of the product to T&S and the return of repaired or replaced product to the purchaser are the responsibility of the purchaser. Repair and/or replacement shall be made within a reasonable time after receipt by T&S of the returned product. This warranty does not cover items which have received secondary finishing or have been altered or modified after purchase, or for defects caused by physical abuse to or misuse of the product, or shipment of the products.

Any express warranty not provided herein, and any remedy for Breach of Contract which might arise, is hereby excluded and disclaimed. Any implied warranties of merchantability or fitness for a particular purpose are limited to one year in duration. Under no circumstances shall T&S be liable for loss of use or any special consequential costs, expenses or damages.

Some states do not allow limitations on how long and implied warranty lasts or the exclusion or limitation of incidental or consequential damages, so the above limitations or exclusions may not apply to you. Specific rights under this warranty and other rights vary from state to state.

P/N: 098-005241-45 Rev 5  
Date: 01-14-15  
Drawn: TEH  
Checked: JRM 01-26-15  
Approved: JHB 01-26-15



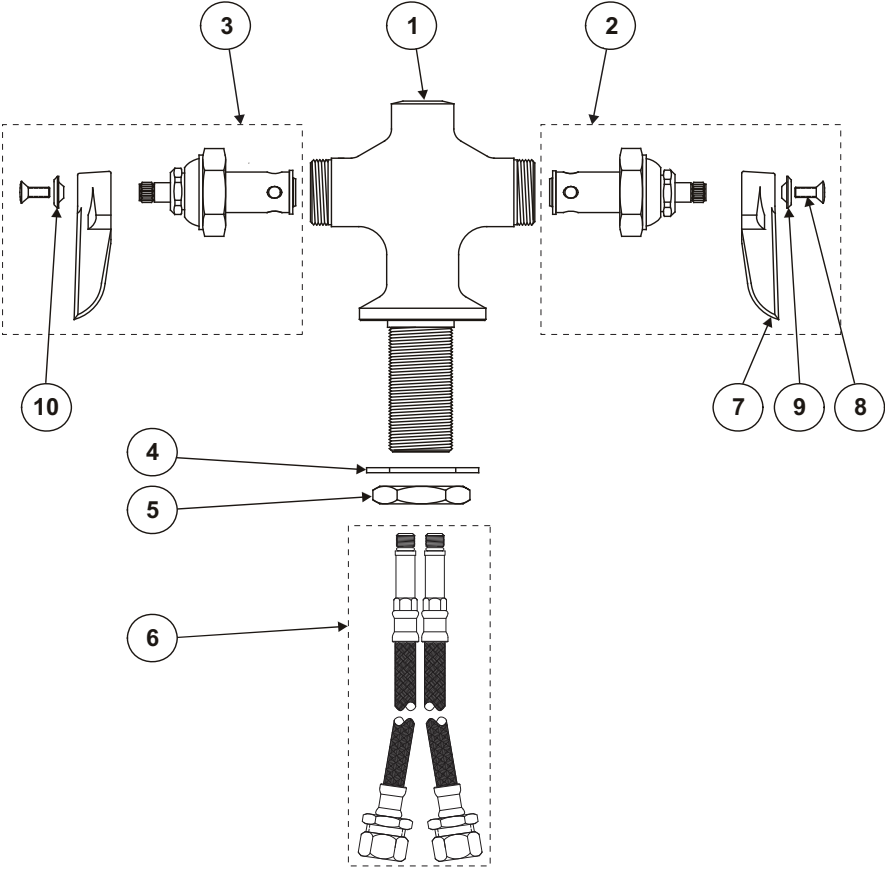
## BASE FAUCET ASSEMBLY

**Deutsch:** Installations- und Wartungsanleitungen

**Español:** la Instalación y las Instrucciones de Mantenimiento

**Français:** les Instructions d'Installation et d'Entretien

# Exploded View



# Part Number Guide

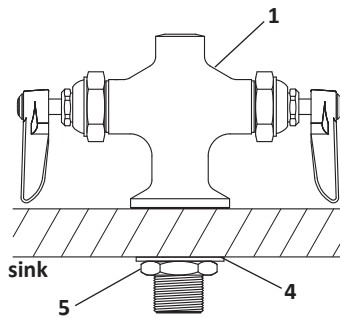
## ***Base Faucet Assembly***

1	Base Faucet	N/A
2	Asm, Spindle LH - Eterna with Spring Checks	002711-40
	Asm, Spindle LH - Eterna	002713-40
3	Asm, Spindle RH - Eterna with Spring Checks	002712-40
	Asm, Spindle RH - Eterna	002714-40
4	Washer, Body	002290-45
5	Locknut, Shank	000965-45
6	Flexible Connector Hoses	012534-45
7	Lever Handle (Blank)	001638-45
8	Screw, Lever Handle	000922-45
9	Index, Button - Blue	001660-45
10	Index, Button - Red	001661-45

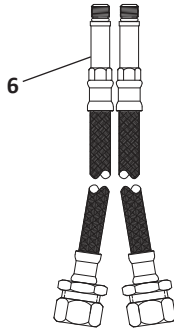
# General Instructions

## **Faucet Installation:**

1. Shut off water supply and drain lines. Drill a hole approximately 1-1/2" diameter in countertop where you are installing no.1.
2. Remove no.5 and no.4 from no.1.
3. Place no.1 through hole in sink, align hot and cold sides parallel to sink line.



4. Install no.4 and no.5 on no.1, tighten no.5.
5. Install no.6 into threaded holes of no.5. Tighten by hand.

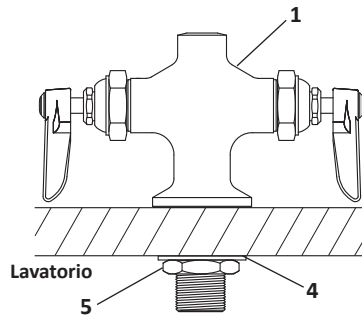


6. Connect supply lines and check for leaks.

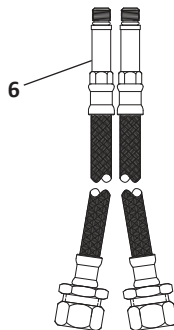
# Instrucciones Generales

## Instalación de la canilla:

1. Cierre el suministro de agua y líneas de drenaje. Perfore un agujero de aproximadamente 3,81 cm de diámetro en el mostrador donde va a instalar el no. 1.
2. Remueva el no. 5 y el no. 4 del no. 1.
3. Coloque el no. 1 entre al agujero en el fregadero, alinee los lados calientes y fríos paralelo a la línea del fregadero.



4. Instale el no. 4 y el no. 5 en el no. 1; cierre el no. 5.
5. Instale el no. 6 entre los agujeros roscados del no. 5. Apriete por mano.

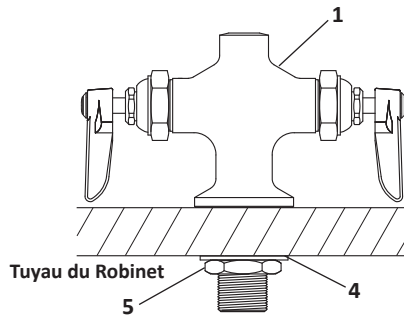


6. Conecte las líneas de suministro y revisa por fugas.

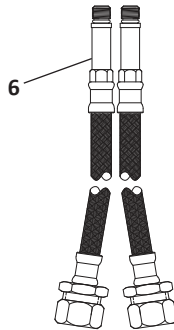
# Instructions Générales

## Installation du Robinet:

1. Fermez l'arrivée d'eau et vidanger les tuyauteries. Percez un trou d'environ 3,81 cm de diamètre dans le comptoir où vous installez le No. 1.
2. Retirez le No.5. et No.4. du No.1.
3. Placez le No.1. dans le trou de l'évier, alignez les cotés chauds et froids parallèles à la ligne de l'évier.



4. Installez le No.4. et No.5. sur No.1., serrez le No.5.
5. Installez le No.6. dans les trous filetés du No. 5. Serrez à la main.

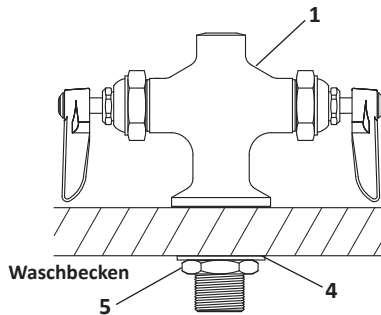


6. Raccordez les conduites d'alimentation et vérifiez qu'il n'y ai aucune fuite.

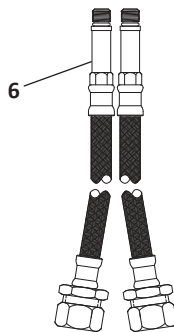
# Allgemeine Anleitungen

## Wasserhahn Installation:

1. Wasserzufuhr ausschalten und Rohre entleeren. An der Stelle in der Arbeitsfläche, wo Nr. 1 installiert werden soll, wird eine Öffnung mit einem Durchmesser von 3,81 cm gebohrt.
2. Nr. 5 und Nr. 4 von Nr. 1 entfernen.
3. Nr. 1 durch die Öffnung im Becken einführen und Heiß- und Kaltwasserleitungen parallel zur Beckenleitung ausrichten.



4. Nr. 4 und Nr. 5 an Nr. 1 installieren. Nr. 5 festziehen.
5. Nr. 6 in den Gewindeöffnungen von Nr. 5 installieren. Von Hand festziehen.



6. Wasserleitungen erneut anschließen und auf undichte Stellen prüfen.

## RELATED T&S BRASS PRODUCT LINE



**B-20K  
Parts Kit**



**B-0220-LN  
Deck Mixing  
Faucet**

---

## T&S BRASS AND BRONZE WORKS, INC.

A firm commitment to application-engineered plumbing products

2 Saddleback Cove, P.O. Box 1088,  
Travelers Rest, SC 29690

Phone: (864) 834-4102

Fax: (864) 834-3518

E-mail: [tsbrass@tsbrass.com](mailto:tsbrass@tsbrass.com)

T & S Brass-Europe  
'De Veenhoeve'

Oude Nieuwveenseweg 84

2441 CW Nieuwveen

The Netherlands



RELIABILITY BUILT IN™