

**For Residential and Commercial Applications**

Job Name		Engineer / Architect	
Job Location		Wholesaler	
Submittal Date		Contractor	

## No. 75 Auto-Vent Automatic Air Valves

**Use:** For use in water and glycol systems to automatically eliminate air from the sealed system.

**Design Features:**

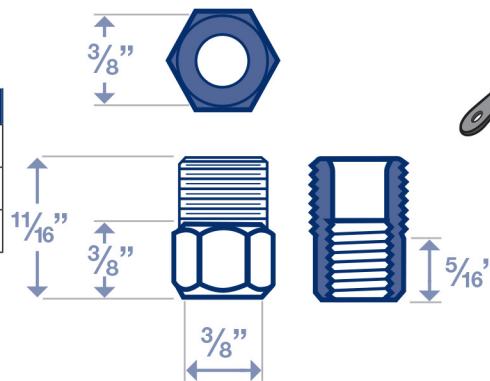
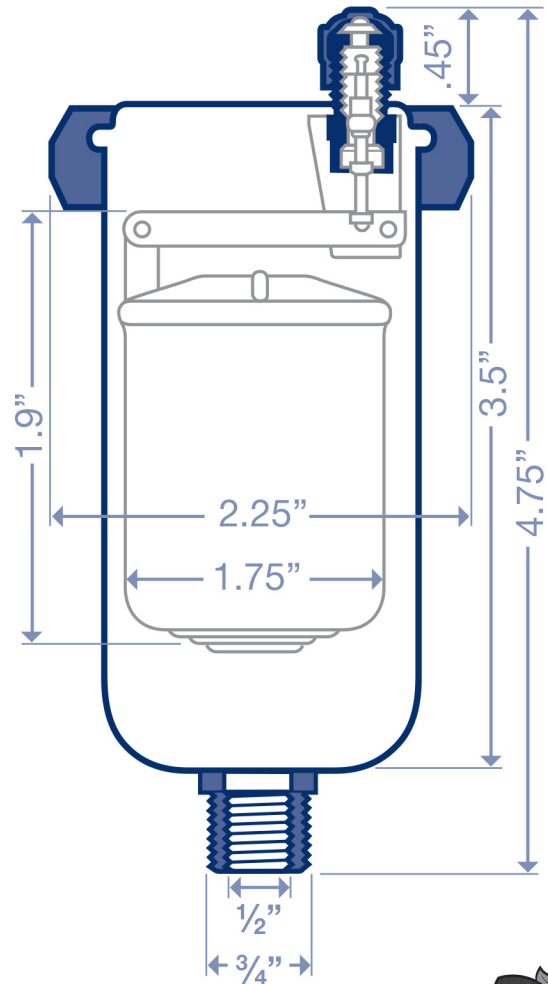
- All non ferrous materials
- Pressure rated and 100% inspection to 150PSI
- Lever, stem and valves all made from Brass
- Used with 7 A connector for safe waste protection
- Operating temperature to 240 degrees
- Made in the USA

**Operating Specifications:**

**Temperature:** Up to 280° F  
**Pressure:** 150 PSI maximum

No. 75 VALVE MATERIAL SPECIFICATIONS	
<b>Body</b>	Copper
<b>Lever</b>	Brass
<b>Stem</b>	Brass
<b>Float</b>	Copper
<b>Seal</b>	PTFE
<b>Valve</b>	Chrome Plated Brass
<b>Cap</b>	Chrome Plated Brass

7AS VALVE MATERIAL SPECIFICATIONS	
<b>Sleeve</b>	Brass
<b>Nut</b>	Brass
<b>Body</b>	Brass



Maid-O'-Mist®

Manufacturing the finest plumbing products since 1932.

www.maidmist.com • 773-685-7300 ©2020 Maid-O'-Mist

This specification and all information contained herein is the confidential and exclusive property of Brasscraft Manufacturing Company and shall not be disclosed to others without the written consent of Brasscraft Mfg. Co. This specification must be returned to Brasscraft Mfg. Co. if requested.