

Specification



U.5550L • U.5550LS

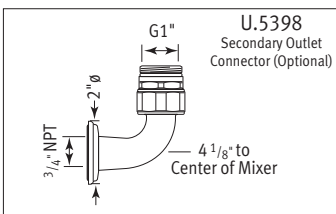
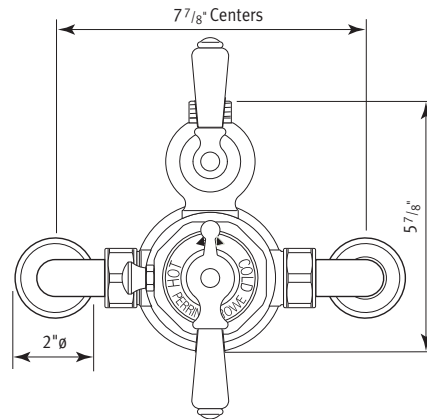
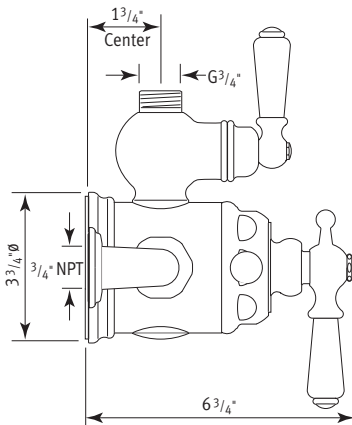
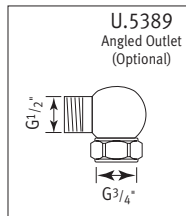
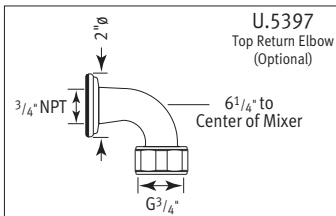
Exposed Dual Control Thermostatic Shower Mixer with Porcelain Lever Handles,
Exposed Dual Control Thermostatic Shower Mixer with Solid Metal Lever Handles.

- Wax capsule thermostatic cartridge with 1 second supply failure response ●
- Separate temperature and flow levers ● 1/4 turn ceramic disc flow control ●
- Adjustable temperature safety override stop (pre-set to 38°C / 100°F) ●
- Inlets fitted with non return valves and strainers ●



Finishes

- Polished Chrome
- Polished Nickel
- Satin Nickel
- Inca Brass
- Polished Chrome/Inca Brass
- Satin Nickel/Inca Brass
- Polished Nickel/Inca Brass



Temp Range:

Min 18°C / 52°F
Max 49°C / 118°F

Temp Stability:

± 1°C / ± 1.8°F

Max Inlet Temp:

82°C / 180°F

Recommended working pressure:

Min 1 bar / 15 psi
Max 5 bar / 75 psi

Approvals:

IAPMO 1016 Type T

Packed Weight:

5.4Kg / 12lbs

Specification

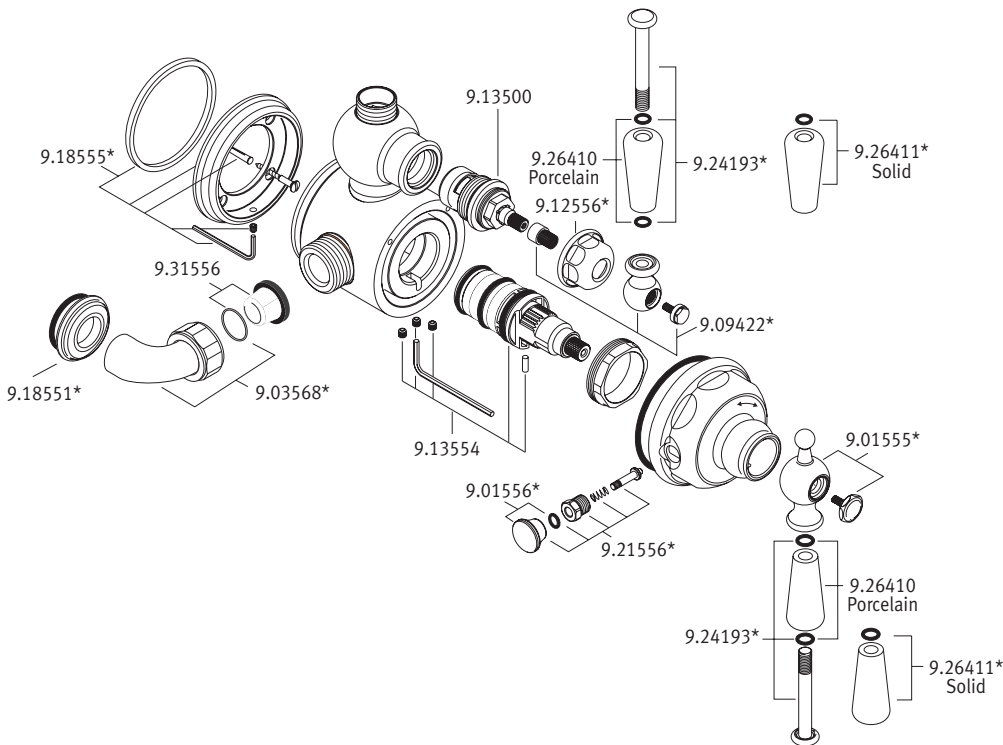


U.5550L • U.5550LS

Exposed Dual Control Thermostatic Shower Mixer with Porcelain Lever Handles,
Exposed Dual Control Thermostatic Shower Mixer with Solid Metal Lever Handles.

- Wax capsule thermostatic cartridge with 1 second supply failure response ●
- Separate temperature and flow levers ● 1/4 turn ceramic disc flow control ●
- Adjustable temperature safety override stop (pre-set to 38°C / 100°F) ●
- Inlets fitted with non return valves and strainers ●

Where * Indicated Specify Color.



Parts Breakdown