

For Residential and Commercial Applications

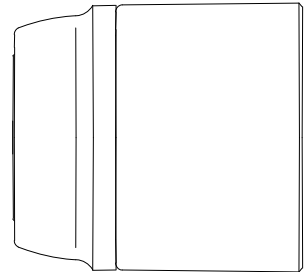
Job Name		Engineer / Architect	
Job Location		Wholesaler	
Submittal Date		Contractor	

NSWRA Series CPVC Insert and Seal

Use: For use in potable water distribution systems to repair CPVC Solvent Weld water stops

Operating Specifications:

Temperature: 40° to 180°F
Pressure: 125 PSI maximum

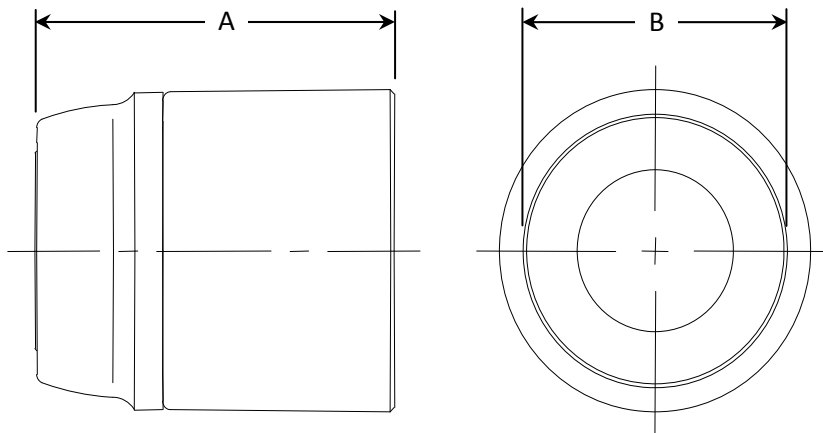


MATERIAL SPECIFICATIONS	
Insert	CPVC 23447-B
Seal	EPDM rubber

PART DIMENSIONS (Inches)		
Model	DIM. A	DIM. B
NSWRA1	.88	.62
NSWRA2	1.15	.88

Part Listing:

- NSWRA1 1/2" Nominal CPVC Insert and Seal
- NSWRA2 3/4" Nominal CPVC Insert and Seal



This specification and all information contained herein is the confidential and exclusive property of BrassCraft Manufacturing, and shall not be disclosed to others without the written consent of BrassCraft. This specification must be returned to BrassCraft if requested.

BrassCraft®