



Two Handle Laundry Faucet



Features:

- Cast brass underbody, heavy chrome plated brass shell
- Metal handles with acrylic hot and cold index buttons
- Compression stems with renewable brass seats
- Working parts can be easily replaced
- 6" or 8" swing spout
- 4" centers for mounting
- 2.2gpm (8.3 L/min) @ 60 psi maximum aerator
- 1/2" NPSM supply connections with brass coupling nuts
- ADA compliant handles operate with less than 5 lbs. force

Standards & Certifications:

- ASME A112.18.1M
- CABO/ANSI A117.1 (ADA)
- IAPMO/cUPC
- MASS code

Catalog Numbers:

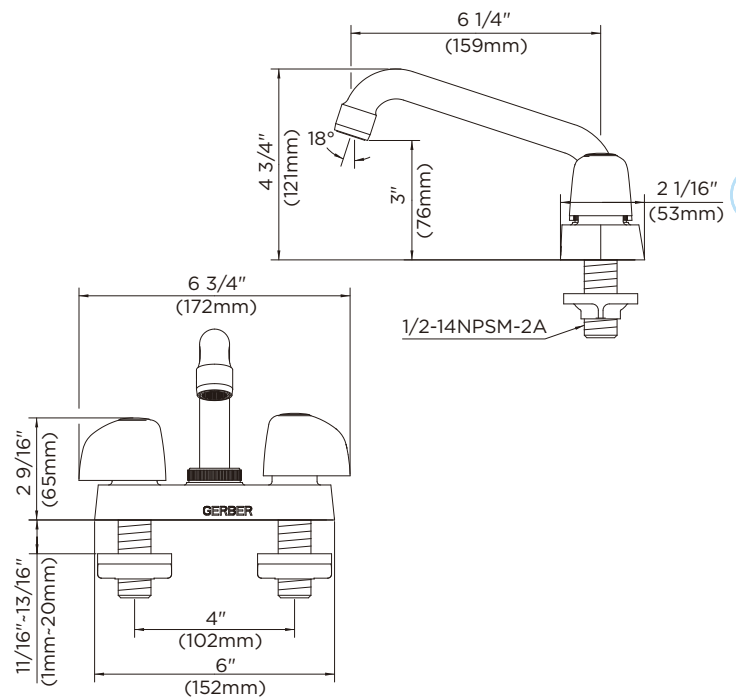
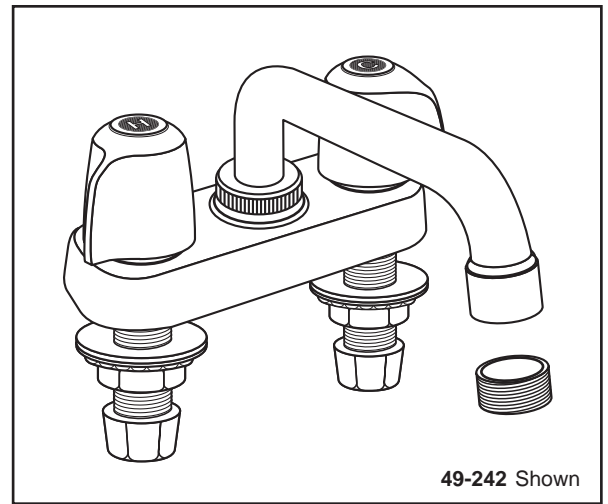
- 49-231** 8" Spt, Aerator/Hose End/IPS, Chrome
- 49-234** 8" Spt, Hose End/Aerator/IPS, Chrome
- 49-241** 6" Spt, Aerator/Hose End/IPS, Chrome
- 49-242** 6" Spt, Aerator/Hose End/IPS, Chrome
- 49-244** 6" Spt, Hose End/Aerator/IPS, Chrome
- 07-49-241** 6" Spt, Aerator/Hose End/IPS, Chrome
- 07-49-244** 6" Spt, Aerator/Hose End/IPS, Chrome
- 07-49-242** 6" Spt, Aerator/Hose End/IPS, Chrome
- 80-49-244** 6" Spt, Aerator/Hose End/IPS, Chrome

Prefixes Available:

80-Washerless cartridge
 For ceramic cartridges, less handles,
 see 59-980 series
 07- Metal Fluted Handles

Suffixes Available

None



Job Name	
Date	
Model Specified	
Quantity	
Customer	
Contractor	
Architect/engineer	