

Plastic Drop Ear Bend Support

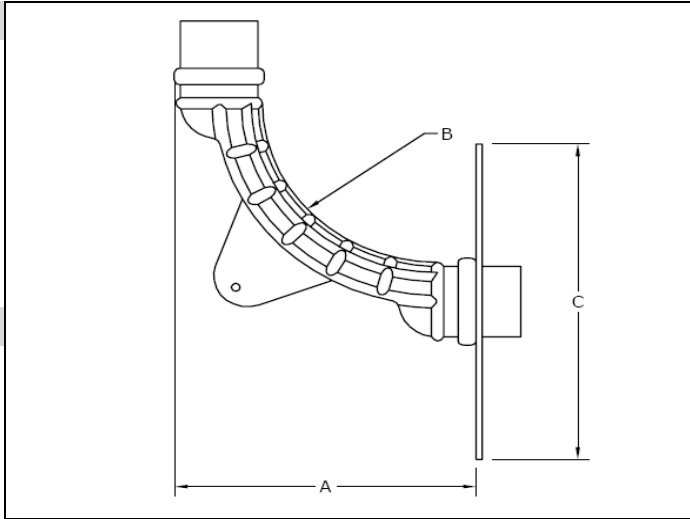
Submittal Information
 Tubing Support
 Revision B: April 13, 2011

Project Information

Job Name:	
Location:	Part No. Ordered:
Engineer:	Date Submitted:
Contractor:	Submitted By:
Manufacturer's Representative:	Approved By:

Technical Data

Material: Glass Reinforced Nylon 30%



Product Information and Application Use

Uponor Plastic Drop Ear Bend Supports are designed to provide a Rigid, 90-degree bend and connection-free stub out from a stud wall or floor for 3/8" or 1/2" Uponor AquaPEX® tubing.

✓ Description	Part Number	A	B	C	Weight
3/8" Plastic Drop Ear Bend Support	F5200375	3.40"	R-1.95"	3.0"	0.06 lbs
1/2" Plastic Drop Ear Bend Support	F5200500	3.40"	R-1.95"	3.0"	0.06 lbs

Installation

Snap the tubing into the bend support at the beginning of the bend. Continue the bend through the support and snap the tubing into the support at the end of the bend as well. Refer to the Uponor Professional Plumbing Installation Handbook or Uponor Radiant Floor Installation Handbook for additional information.

Standards

N/A

Codes

N/A

Listings

N/A

Related Applications

PEX-a Plumbing Systems
 Radiant Floor Heating and Cooling Systems

Contact Information

Uponor, Inc.
 5925 148th Street West
 Apple Valley, MN 55124 USA
 Phone: (800) 321-4739
 Fax: (952) 891-1409
 www.uponor-usa.com

Uponor Ltd.
 2000 Argentia Road, Plaza 1, Suite 200
 Mississauga, ON L5N 1W1 CANADA
 Phone: (888) 994-7726
 Fax: (800) 638-9517
 www.uponor.ca