

PFWSC1040

TWO HANDLE LAVATORY FAUCET



Product Features

- Flow rate: 1.2 GPM (4.54 L/min) at 60 PSI
- Acrylic handle
- Ceramic disc cartridges
- Metal pop-up drain
- Requires 3-hole sink with 4" on-center

Optional Parts

1.0 GPM Aerator	Neoperl 40.2058.000
0.5 GPM Aerator	OBPF530223CP
Thick Deck Extension Kit	OBPF23644EXT
Drain Lift Rod Extension	PF351NA

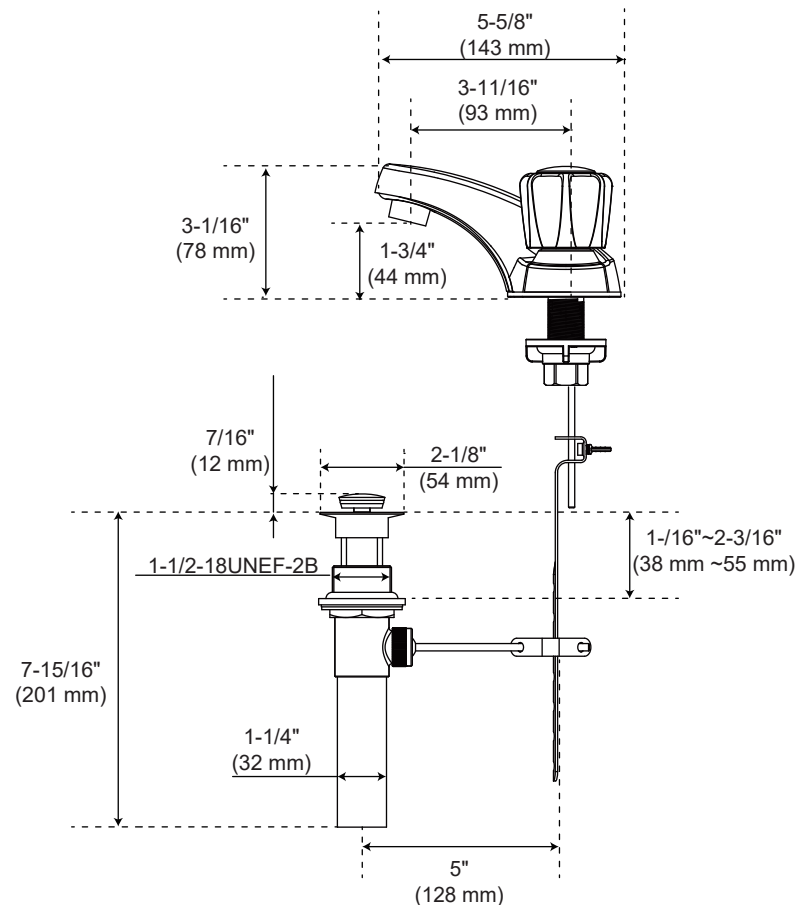
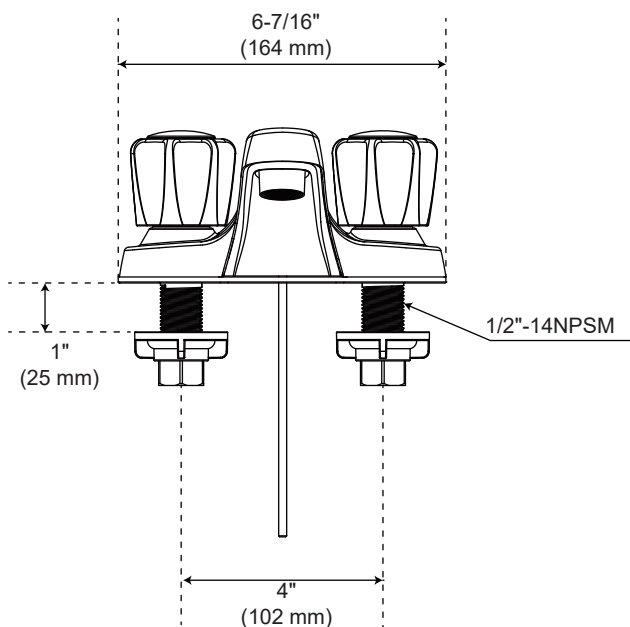


Codes and Certifications



- Certified to ASME A112.18.1 / CSA B125.1
- cUPC/IAPMO listed
- EPA WaterSense certified
- NSF/ANSI/CAN61: Q ≤1

PFWSC1040



For detailed warranty information, visit ferguson.com/proflo-faucet-warranty.