

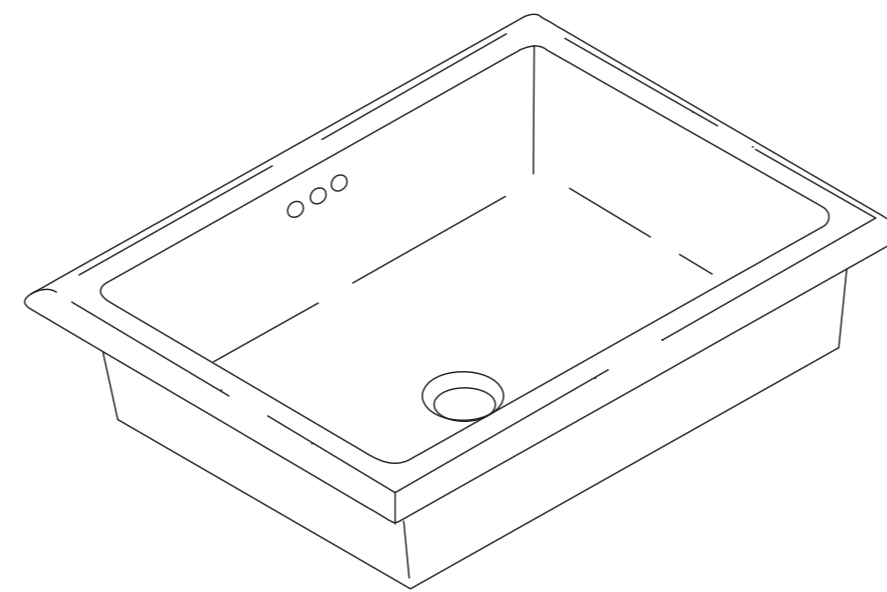
3 1/8" (79mm) Max (ADA) - See Note  
2 1/2" (66mm) Min

CUT ALONG THIS LINE

16-3/8"  
415mm

# Undercounter Lavatory Cut-Out Template

PF1713UWH  
PF1713UBS



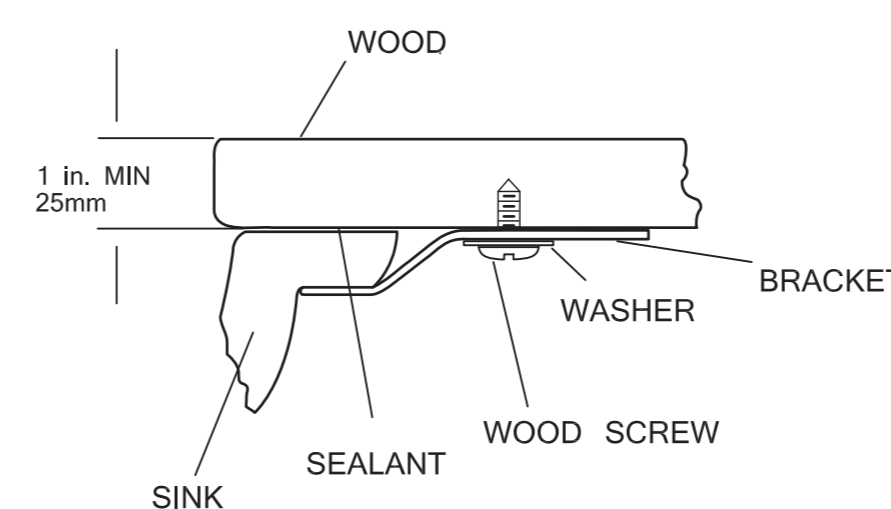
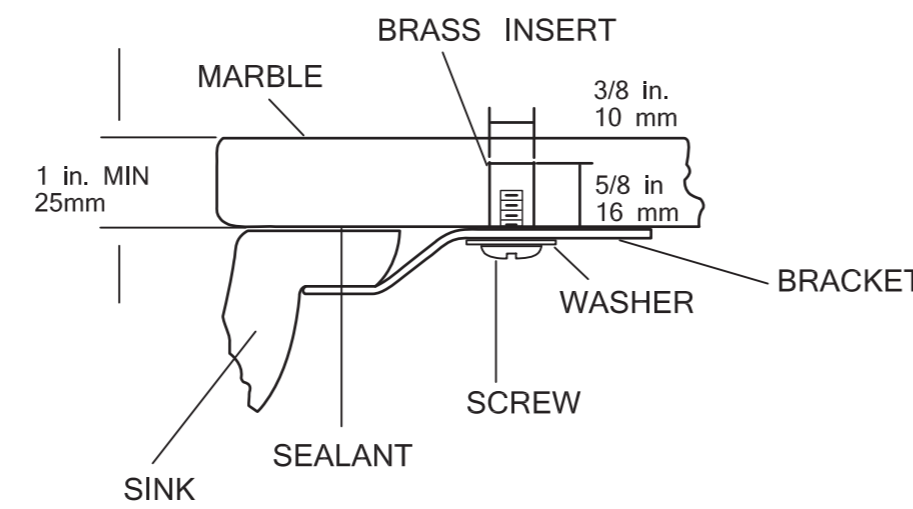
12-13/16"  
325mm

OUTER RIM  
OF SINK

3/8"  
10mm

FOR MARBLE OR SOLID SURFACES

FOR WOOD



INSIDE RIM OF SINK

1"  
25mm

ANCHOR LOCATIONS  
ON UNDERSIDE  
OF COUNTERTOP  
(4 LOCATIONS)