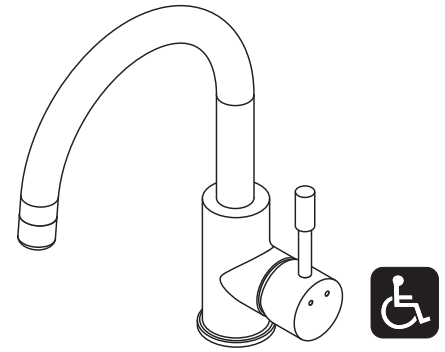





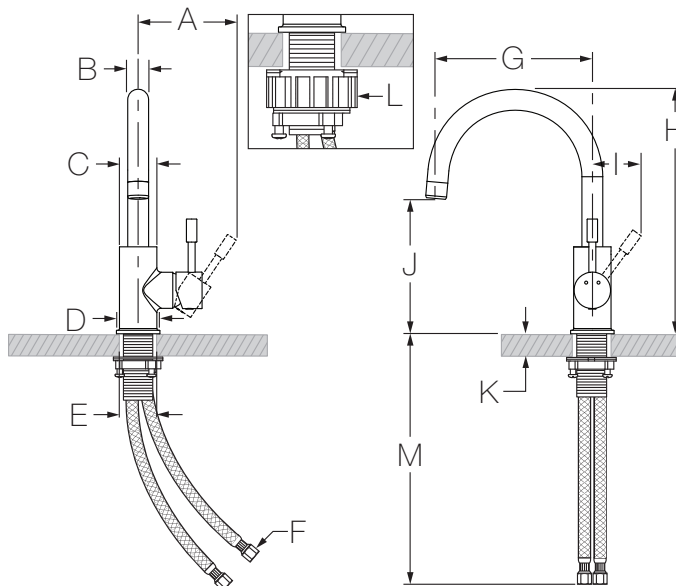
Location:



**SPB-3510-1.5**  
**Single Handle Bar Sink Faucet**  
**Specification Submittal**

<p><b>Model Numbers</b></p>	<p><b>Feature Highlights</b></p>
<p><input type="checkbox"/> <b>SPB-3510-1.5</b> <i>Single Handle Bar Sink Faucet</i></p>	<ul style="list-style-type: none"> <li>• Single hole mount configuration</li> <li>• 3 hole mount configuration for optional 8 inch deck plate</li> <li>• Quarter turn ceramic cartridge</li> <li>• Braided hose water supply connections</li> <li>• Standard swivel spout with option of rigid spout</li> <li>• Standard 1.5 gpm (5.7 L/min) flow rate</li> <li>• Faucet shall be metal construction, plated in standard polished chrome finish</li> </ul>
<p><b>Options/Modifications</b></p> <p><input type="checkbox"/> <b>-0.5</b> <i>0.5 gpm (1.9 L/min) aerator</i></p> <p><input type="checkbox"/> <b>-1.0</b> <i>1.0 gpm (3.8 L/min) aerator</i></p> <p><input type="checkbox"/> <b>-1.2</b> <i>1.2 gpm (4.5 L/min) aerator</i></p> <p><input type="checkbox"/> <b>Delete Suffix 1.5</b> <i>2.2 gpm (8.3 L/min) aerator</i></p> <p><input type="checkbox"/> <b>-DP</b> <i>8 inch deck plate</i></p> <p><input type="checkbox"/> <b>-NA</b> <i>1.5 gpm (5.7 L/min) laminar flow</i></p> <p><input type="checkbox"/> <b>-STN</b> <i>Satin Nickel finish</i></p> <p><b>Note:</b> Append appropriate -suffix to model number.</p>	<p><b>Warranty</b></p> <p><b>Limited Lifetime</b> - to the original end purchaser in consumer/residential installations.  <b>5 Years</b> - for industrial/commercial installations.  Refer to <a href="http://www.symmons.com/warranty">www.symmons.com/warranty</a> for complete warranty information.</p>
<p><b>Compliance</b></p> <p>-ASME A112.18.1/CSA B125.1  -NSF/ANSI 61.9; NSF/ANSI 372</p> 	

**Dimensions**



Measurements	
A	3-13/16", 97 mm
B	Ø 15/16", 24 mm
C	Ø 1-11/16", 43 mm
D	Ø 1-15/16", 49 mm
E	Hole Size Min. Ø 1-3/8", 35 mm Max. Ø 1-1/2", 38 mm
F	3/8" compression
G	7-1/16", 179 mm
H	11-1/16", 281 mm
I	Distance to Backsplash Ref. Min. 3-7/8", 98 mm
J	6-1/8", 156 mm
K	Deck Thickness Ref. Max. 2-3/16", 56 mm
L	Use large mounting nut for thin deck applications
M	22-11/16", 576 mm

**Note:** Dimensions subject to change without notice.