

### SPECIFICATIONS

Nominal ventilation airflow (CFM)	200 CFM
Capacity <sup>(1)</sup> pints/day	95 ppd
Energy factor <sup>(1)</sup>	2.2 L/kW-h
Energy star qualified	No
<b>Airflow @ varying E.S.P. (external static pressure - dry coil)</b>	
0.0" w.c.	265 CFM
0.2" w.c.	230 CFM
0.4" w.c.	200 CFM
Voltage, phase, frequency	120VAC, 1, 60 Hz
Current draw <sup>(1)</sup>	8.0 Amps
Sound level	54 dBA ducted
<b>Dimensions: (cabinet only)<sup>(2)</sup></b>	
	Width: 12½"
	Height: 14½"
	Length: 27½"
Weight	75 lbs.
<b>Inlet air operating conditions during</b>	
-Dehumidification:	50°F-104°F, 40°F dew point min.
-Ventilation:	40°F-140°F, 0%-99% RH

<sup>(1)</sup>Rated capacity and Energy Factor test done and current draw measure in accordance with AHAM DH-1 2008 at 80°F/60%RH inlet air at 0.0 ESP. <sup>(2)</sup>Height does not include adjustable feet or casters. The width excludes the filter doors, and length excludes the duct collars.

### FEATURES

Control	Built-in digital control with display
Control mounting option	Field interchangeable from top to front
Cabinet insulation	1/2" EPS
Air discharge orientation	Top or end air discharge
Inlet/Outlet duct collars	10" round
Back damper at outlet	Included
Air filter	Washable MERV 8
Refrigeration	R-410A
Coil type	Corrosion resistant aluminum
8' Power cord type	Plug type
Drain connection <sup>(3)</sup>	3/4" PVC adapters
Warranty	5 Years

<sup>(3)</sup>Thread adapter and barbed fitting for clear drain tubing included.



### FEATURES

- + Removes moisture from outdoor air before it enters the live space
- + Unit is designed, when properly installed, to achieve ASHRAE Standard 62.2-2010
- + Integral moisture and ventilation control
- + Optional ventilation control via thermostat (see below)
- + High and Low Temperature Limit Lock-outs
- + Simple plug-in installation
- + Installation temperature range up to 140°

### RECOMMENDED CONTROLS

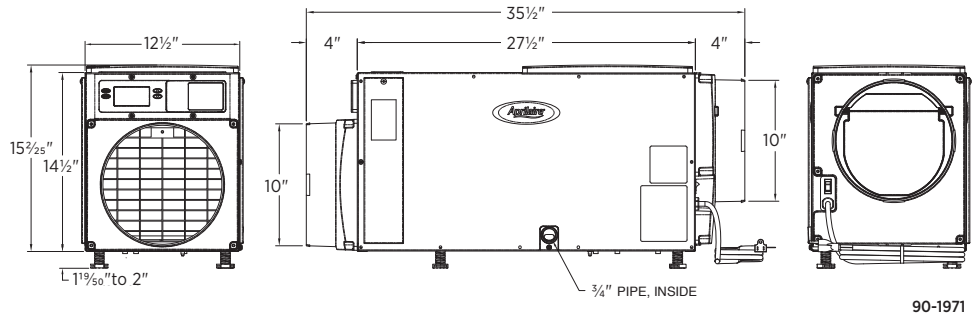
- + Aprilaire Thermostat Models
  - 8620, 8620W    - 8910, 8910W    - 8920W
- + Aprilaire Communicating Thermostat Models
  - 8820                    - 8830                    - 8840

### BENEFITS

- + Helps control RH in the home during periods when the air conditioning system does not run long enough to remove sufficient moisture. If air conditioner can satisfy RH requirements, the Aprilaire unit's compressor shuts off
- + Optimize energy savings by locking out ventilation during hottest/coldest times of the day
- + Improves indoor air quality
- + Installation labor reduced, requires only a power outlet and 24 volt wiring to HVAC system

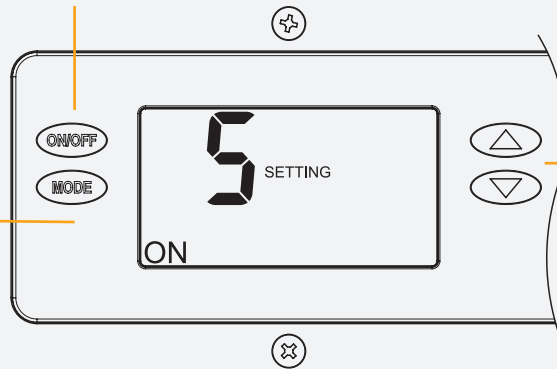
▶ **When properly installed and set, the Aprilaire Model 8192 ventilator with dehumidification will meet the mechanical ventilation requirements of:**

- + Energy Star Certified Homes, Version 3
- + EPA Indoor airPLUS, Version 1
- + 2012 & 2015 International Residential Code (IRC)



**ON/OFF** button used to turn the ventilator on and off

**MODE** button used to access ventilation time setting



**UP/DOWN** buttons used to change humidity or vent time setting

## Ducting the Ventilator

