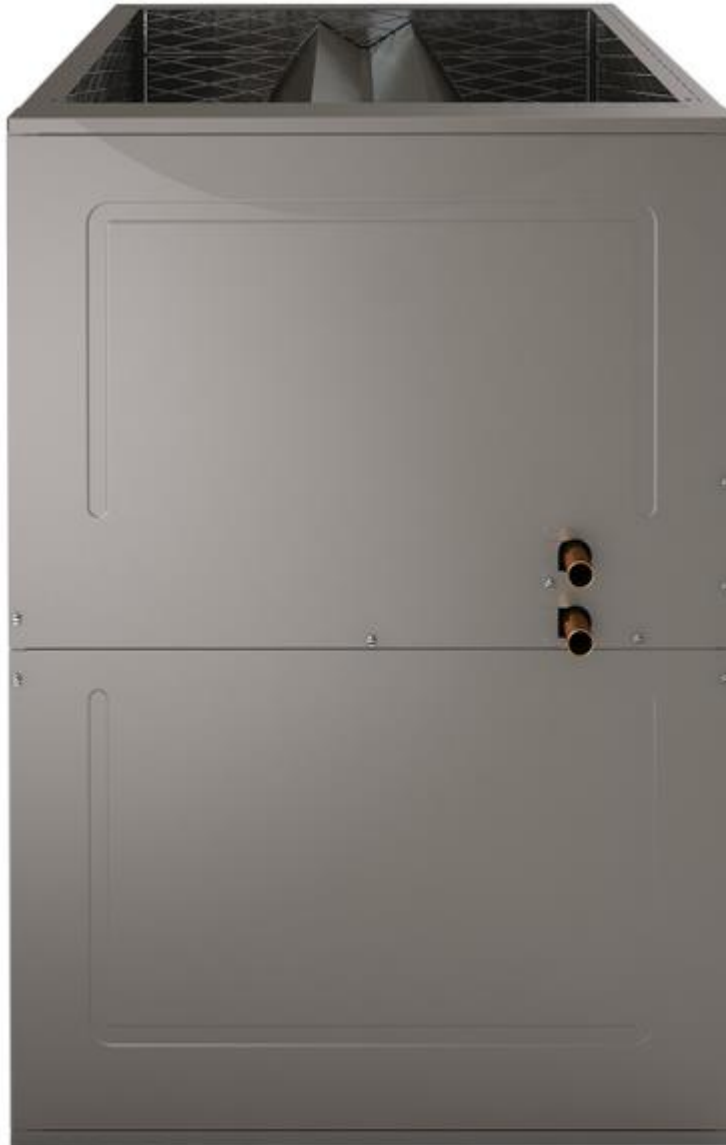




RW1T

Parts List
12-September-2018



*This parts list is current as of the above revision date.
See <http://www.rheempartslists.net/92-42801-RW1T.pdf> for the current revision.*

Air Handlers

Table of Contents

Model Explanation	Page 3
Parts Numbers	
Panels - Miscellaneous	Page 4
Electrical Group	Page 5
Blower Group	Page 6
Coil Parts	Page 7
Drawings/Photographs	
Cabinet Assembly	Page 8
Door Assembly	Page 9
Coil - Pump Assembly	Page 10
Coil Assembly - 415 Option	Page 11
Blower Assembly	Page 12
Notes	Page 13

MODEL NUMBER EXPLANATION

R	W	1	T	-	04	A	24	14	N	A	A	***
1	2	3	4		5	6	7	8	9	10	11	12

- | | |
|---|--|
| <p>1 TRADE BRAND DESIGNATION</p> <p>2 W = HYDRONIC AIR HANDLER</p> <p>3 STAGE OF AIR FLOW
 1 = SINGLE
 2 = Two Stage
 M = Modulating</p> <p>4 MOTOR TYPE
 T = Constant Torque
 V = Variable Speed
 P = PSC</p> <p>5 NOMINAL CAPACITY (BTU/HR)
 04 = 40,000
 06 = 60,000
 08 = 80,000
 10 = 100,000</p> <p>6 MAJOR SERIES
 A = First</p> <p>7 MAXIMUM COOLING AIRFLOW TONNAGE
 24 = Up to 2 Ton
 36 = Up to 3 Ton
 48 = 2.5 to 4 Ton
 60 = 3 to 5 Ton</p> | <p>8 WIDTH (inches)
 14 = 14
 17 = 17.5
 21 = 21
 24 = 24.5</p> <p>9 CONTROLS
 C = Communicating
 N = Non-Communicating</p> <p>10 VOLTAGE
 A = 115/1/60</p> <p>11 MINOR SERIES
 A = First</p> <p>12 OPTION CODE (***)
 Blank = None
 415 = No Pump</p> |
|---|--|

SERIAL NUMBER EXPLANATION

W	0	4	1	0	9	9	9	9	9
1	2		3		4				

- 1** **PLANT CODE**
 W = Nuevo Laredo (West)
- 2** **WEEK OF PRODUCTION**
- 3** **YEAR OF PRODUCTION**
- 4** **PRODUCTION NUMBER**

No.	Notes	MODEL	RW1T	RW1T	RW1T	RW1T
		CAPACITY/MAJOR SERIES	04A	06A	08A	10A
		MAXIMUM AIRFLOW TONNAGE	24	36	48	60
		WIDTH	14	17	21	21
		CONTROLS	N	N	N	N
		VOLTAGE/MINOR SERIES	AA/AA415	AA/AA415	AA/AA415	AA/AA415
PANELS, SHEET METAL, MISCELLANEOUS						
1		Jacket - Granite/Steel Gray	N/A	N/A	N/A	N/A
1a		Top/Back Insulation - Jacket	68-105550-01	68-105550-02	68-105550-03	68-105550-04
1b		Top/Side Insulation - Jacket (2)	68-105474-01	68-105474-01	68-105474-01	68-105474-02
1c		Bottom/Back Insulation - Jacket	68-105475-01	68-105475-02	68-105475-03	68-105475-04
1d		Bottom/Left Side Insulation - Jacket	68-105548-01	68-105548-01	68-105548-01	68-105548-02
1e		Bottom/Right Side Insulation - Jacket	68-105549-01	68-105549-01	68-105549-01	68-105549-02
2		Blower Shelf Assembly	AS-105060-01	AS-105060-02	AS-105060-03	AS-105060-04
3		Coil (Top) Door Assembly - Granite/Steel Gray	AE-104447-01	AE-104447-02	AE-104447-03	AE-104447-04
3a		Insulation - Coil Door	68-104718-01	68-104718-02	68-104718-03	68-104718-04
3b		Badge - Top Door (Ruud)	91-103112-09	91-103112-09	91-103112-09	91-103112-09
4		Blower (Bottom) Door Assembly - Granite/Steel Gray	AE-104447-05	AE-104447-06	AE-104447-07	AE-104447-08
4a		Insulation - Blower Door	68-104718-05	68-104718-06	68-104718-07	68-104718-08
5		Button Plug (3)	45-103596-06	45-103596-06	45-103596-06	45-103596-06
		Shorty Plug (2)	45-24125-01	45-24125-01	45-24125-01	45-24125-01
6		Solid Bottom	AE-105479-01	AE-105479-02	AE-105479-03	AE-105479-04
7		Cover - Junction Box	AE-61476-02	AE-61476-02	AE-61476-02	AE-61476-02
8		Junction Box	AE-61475-02	AE-61475-02	AE-61475-02	AE-61475-02
9		Switch - Push Button	42-22692-09	42-22692-09	42-22692-09	42-22692-09
10		Header Door	AE-105514-01	AE-105514-02	AE-105514-03	AE-105514-04
11		Insulation - Header Door	68-105547-01	68-105547-02	68-105547-03	68-105547-04
12		Plate - Top/Bottom (2)	AE-104397-01	AE-104397-02	AE-104397-03	AE-104397-04
13		Brace - Top/Bottom Interior (2)	AE-104452-01	AE-104452-02	AE-104452-03	AE-104452-04

No.	Notes	MODEL	RW1T	RW1T	RW1T	RW1T
		CAPACITY/MAJOR SERIES	04A	06A	08A	10A
		MAXIMUM AIRFLOW TONNAGE	24	36	48	60
		WIDTH	14	17	21	24
		CONTROLS	N	N	N	N
		VOLTAGE/MINOR SERIES	AA	AA	AA	AA
ELECTRICAL GROUP						
20	Stk	Transformer	46-24124-03	46-24124-03	46-24124-03	46-24124-03
21	Stk	Control Board	47-103255-02	47-103255-02	47-103255-02	47-103255-02
		Thermistor (Supply)	See Coil Group			
		Ambient Sensor (Return)	47-102709-05	47-102709-05	47-102709-05	47-102709-05
22	Stk	Capacitor - Pump	43-100496-41	43-100496-41	43-100496-41	43-100496-41
		Water Pump	See Coil Group			
		Wiring Harness - 4 pin to 2 ring terminals, 1 wire, 1 terminal	45-24371-12	45-24371-12	45-24371-12	45-24371-12
		Wiring Harness - 4 Pin Connector to 3 Terminals	45-24371-56	45-24371-56	45-24371-56	45-24371-56

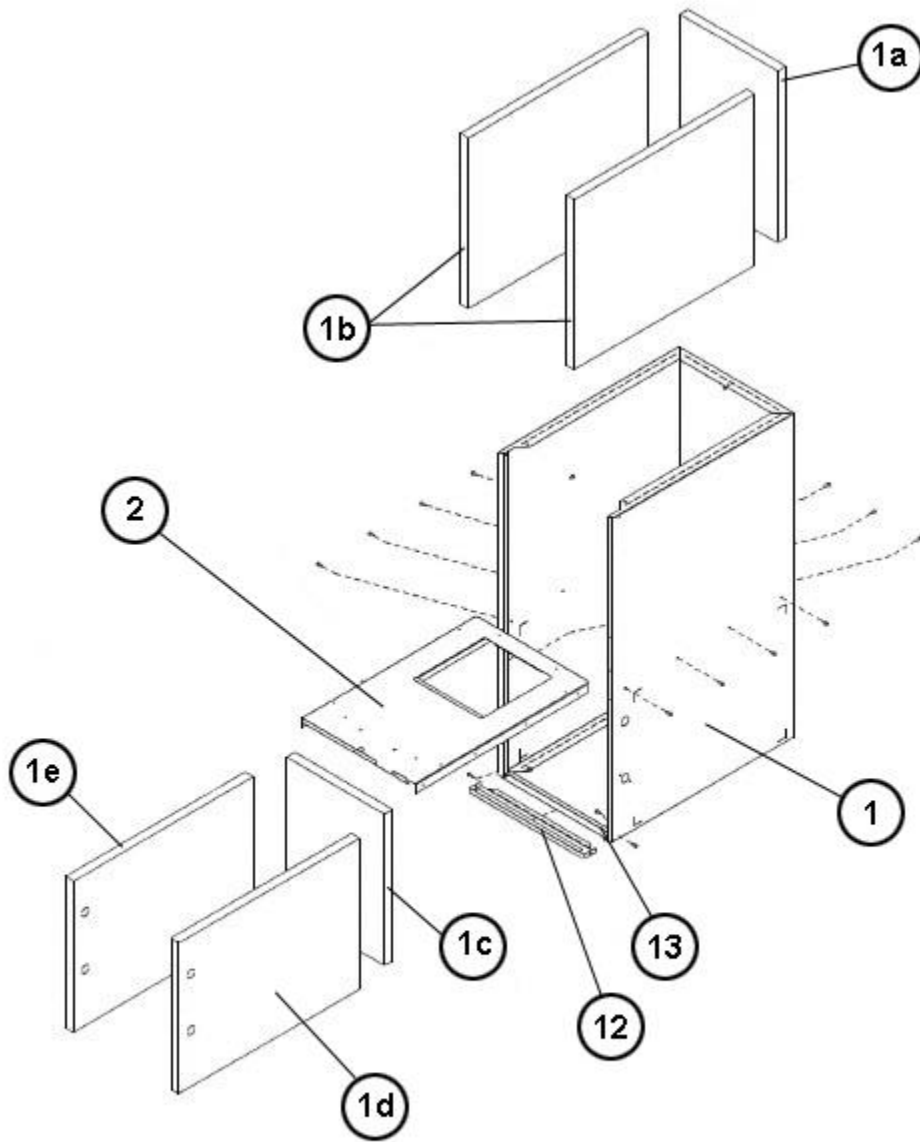
No.	Notes	MODEL	RW1T	RW1T	RW1T	RW1T
		CAPACITY/MAJOR SERIES	04A	06A	08A	10A
		MAXIMUM AIRFLOW TONNAGE	24	36	48	60
		WIDTH	14	17	21	24
		CONTROLS	N	N	N	N
		VOLTAGE/MINOR SERIES	AA415	AA415	AA415	AA415
ELECTRICAL GROUP						
20	Stk	Transformer	46-24124-03	46-24124-03	46-24124-03	46-24124-03
21	Stk	Control Board	47-103255-02	47-103255-02	47-103255-02	47-103255-02
		Wiring Harness - 4 pin to 2 ring terminals, 1 wire, 1 terminal	45-24371-12	45-24371-12	45-24371-12	45-24371-12
		Wiring Harness - 4 Pin Connector to 3 Terminals	45-24371-56	45-24371-56	45-24371-56	45-24371-56

No.	Notes	MODEL CAPACITY/MAJOR SERIES MAXIMUM AIRFLOW TONNAGE WIDTH CONTROLS VOLTAGE/MINOR SERIES	RW1T	RW1T	RW1T	RW1T
			04A 24 14 N AA	06A 36 17 N AA	08A 48 21 N AA	10A 60 24 N AA
BLOWER GROUP						
30	Stk	Blower Assembly (Includes Items Listed Below)	AS-104845-01	AS-104845-02	AS-104845-03	AS-104845-04
30a		Blower Housing (with wheel)	70-104847-01	70-104847-02	70-104847-03	70-104847-04
	Stk	Blower Wheel	PD706267	PD706268	PD706269	PD706270
		Motor Mount Kit: includes grommets, screws, nuts, motor mount, and motor mount brackets	AS-53148-91	AS-53148-91	AS-53148-91	AS-53148-91
31		Motor Mount (Belly Band)	70-19927-04	70-19927-04	70-19927-04	70-19927-04
32		Motor Mount Arm (4)	70-19929-10	70-19929-10	70-19929-10	70-19929-10
33	Stk	Blower Motor	51-105560-01	51-104220-02	51-104221-04	51-104221-05
34		Blower Bracket (2)	AE-105480-01	AE-105480-01	AE-105480-01	AE-105480-01
35		Mounting Bracket	AE-105438-01	AE-105438-01	AE-105438-01	AE-105438-01

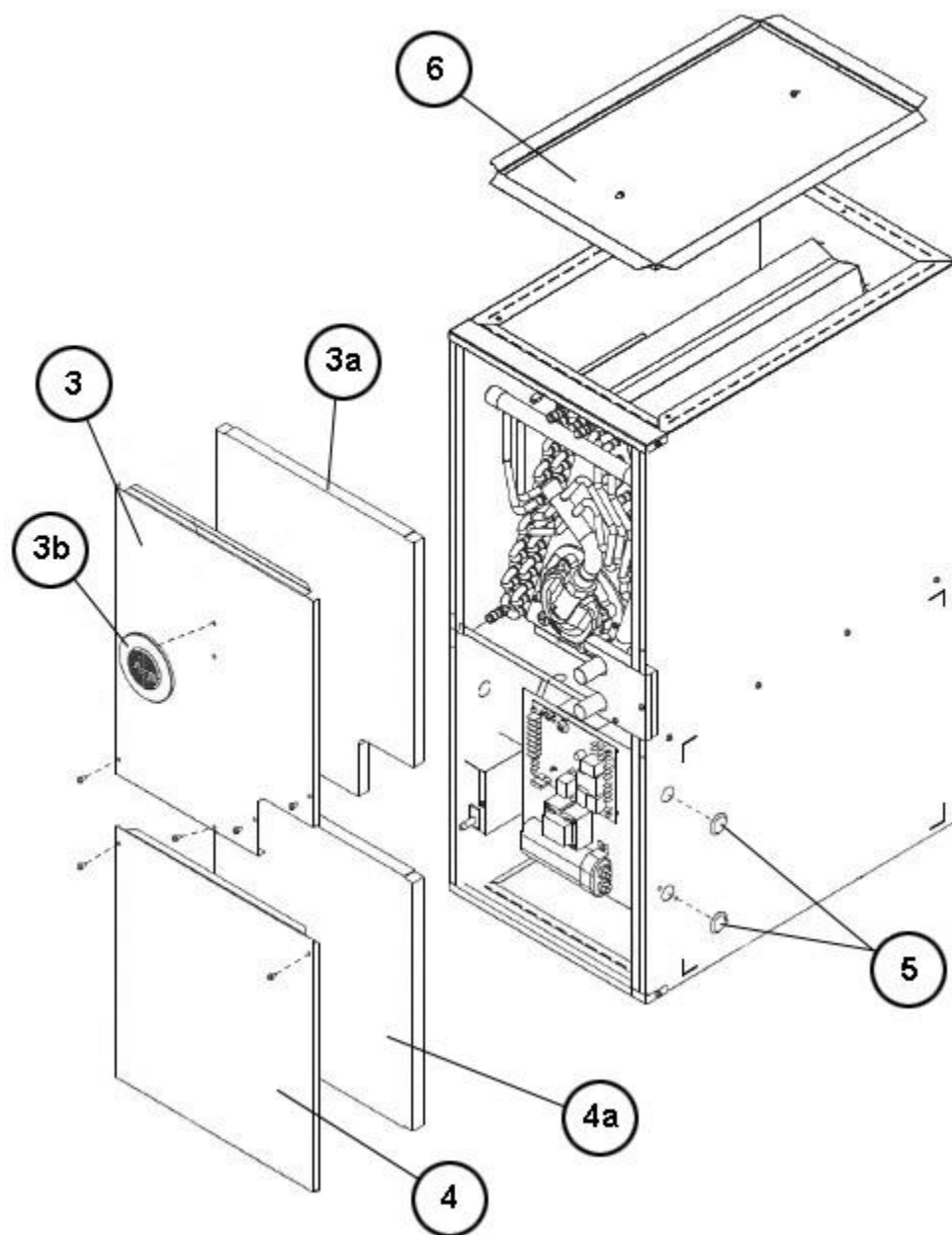
No.	Notes	MODEL CAPACITY/MAJOR SERIES MAXIMUM AIRFLOW TONNAGE WIDTH CONTROLS VOLTAGE/MINOR SERIES	RW1T	RW1T	RW1T	RW1T
			04A 24 14 N AA415	06A 36 17 N AA415	08A 48 21 N AA415	10A 60 24 N AA415
BLOWER GROUP						
30	Stk	Blower Assembly (Includes Items Listed Below)	AS-104845-09	AS-104845-10	AS-104845-11	AS-104845-12
30a		Blower Housing (with wheel)	70-104847-01	70-104847-02	70-104847-03	70-104847-04
	Stk	Blower Wheel	PD706267	PD706268	PD706269	PD706270
		Motor Mount Kit: includes grommets, screws, nuts, motor mount, and motor mount brackets	AS-53148-91	AS-53148-91	AS-53148-91	AS-53148-91
31		Motor Mount (Belly Band)	70-19927-04	70-19927-04	70-19927-04	70-19927-04
32		Motor Mount Arm (4)	70-19929-10	70-19929-10	70-19929-10	70-19929-10
33	Stk	Blower Motor	51-105560-01	51-104220-02	51-104221-04	51-104221-05
34		Blower Bracket (2)	AE-105480-01	AE-105480-01	AE-105480-01	AE-105480-01
35		Mounting Bracket	AE-105438-01	AE-105438-01	AE-105438-01	AE-105438-01

No.	Notes	MODEL CAPACITY/MAJOR SERIES MAXIMUM AIRFLOW TONNAGE WIDTH CONTROLS VOLTAGE/MINOR SERIES	RW1T	RW1T	RW1T	RW1T
			04A	06A	08A	10A
			24	36	48	60
			14	17	21	24
			N	N	N	N
			AA	AA	AA	AA
COIL GROUP						
40	Stk	Coil Assembly (includes pump)	AS-104403-01	AS-104403-02	AS-104403-03	AS-104403-04
41	Stk	Water Pump	38-103340-04	38-103340-04	38-103340-04	38-103340-04
42	Stk	Half Union Adapter Kit (2) - (Nut, Collar, Washer)	82-103351-01	82-103351-01	82-103351-01	82-103351-01
43		Strain Relief (Front Air Stop)	45-103252-03	45-103252-03	45-103252-03	45-103252-03
		Capacitor - Pump	See Electrical Group			
44		Thermistor (Supply)	47-104844-01	47-104844-01	47-104844-01	47-104844-01
45		Bracket - Thermistor	AE-104840-01	AE-104840-01	AE-104840-01	AE-104840-01
46		Air Stop - Top	AE-104421-01	AE-104421-02	AE-104421-03	AE-104421-04
47		Air Stop - Back	AE-104415-05	AE-104415-06	AE-104415-07	AE-104415-08
48		Air Stop - Front	AE-104415-01	AE-104415-02	AE-104415-03	AE-104415-04
49		Bottom Air Stop (2)	AE-104420-01	AE-104420-02	AE-104420-03	AE-104420-04
50		Coil Retainer	AE-104418-01	AE-104418-02	AE-104418-03	AE-104418-04
54a		Access Valve Cap	83-100635-01 (4)	83-100635-01 (4)	83-100635-01 (4)	83-100635-01 (4)
54b		Valve Core - Bulkhead Valve	61-18551-01 (4)	61-18551-01 (4)	61-18551-01 (4)	61-18551-01 (4)
54c		Bulkhead Valve	61-22369-04 (4)	61-22369-04 (4)	61-22369-04 (4)	61-22369-04 (4)

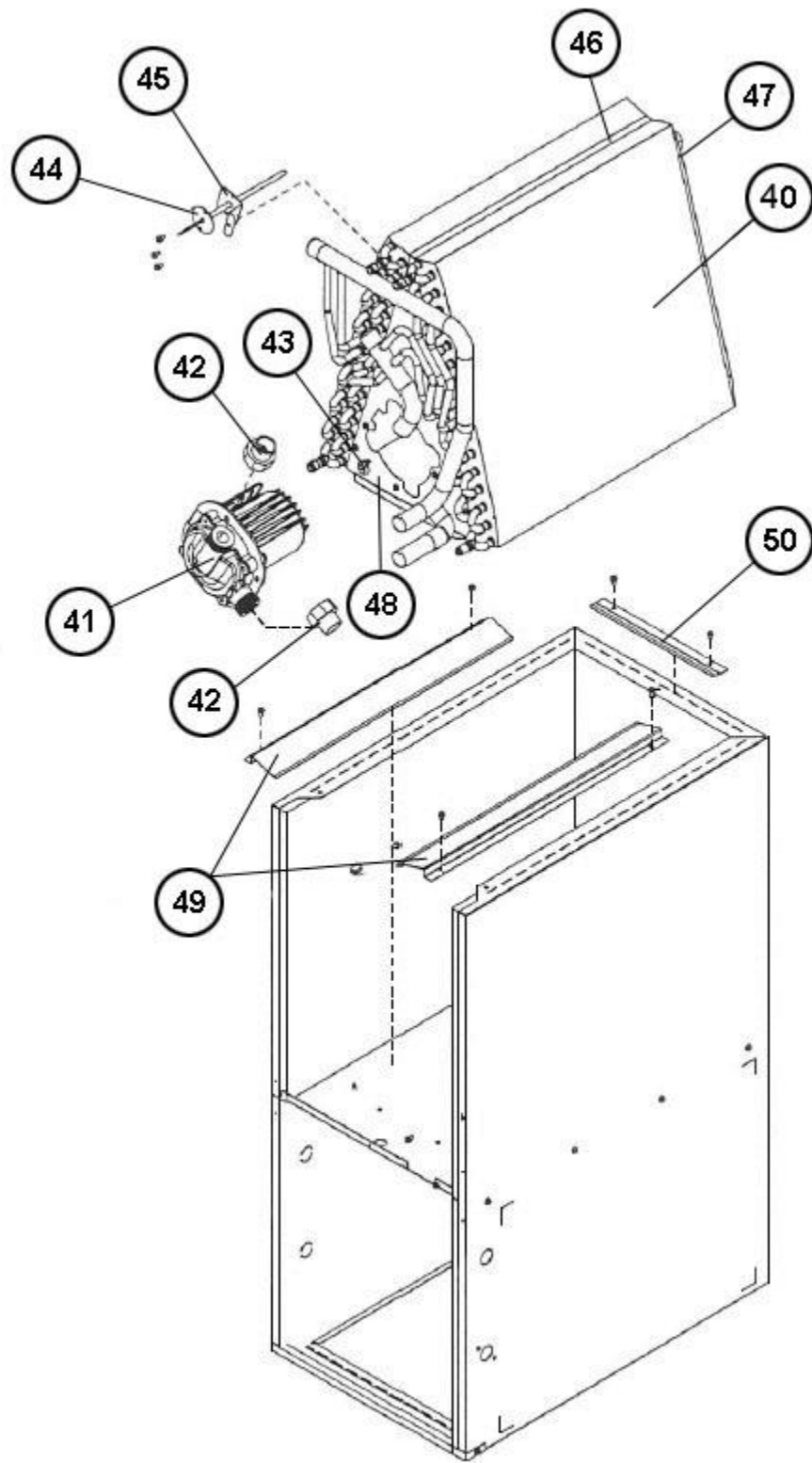
No.	Notes	MODEL CAPACITY/MAJOR SERIES MAXIMUM AIRFLOW TONNAGE WIDTH CONTROLS VOLTAGE/MINOR SERIES	RW1T	RW1T	RW1T	RW1T
			04A	06A	08A	10A
			24	36	48	60
			14	17	21	24
			N	N	N	N
			AA415	AA415	AA415	AA415
COIL GROUP						
40	Stk	Coil Assembly	AS-104403-05	AS-104403-06	AS-104403-07	AS-104403-08
46		Air Stop - Top	AE-104421-01	AE-104421-02	AE-104421-03	AE-104421-04
47		Air Stop - Back	AE-104415-05	AE-104415-06	AE-104415-07	AE-104415-08
48		Air Stop - Front	AE-104415-01	AE-104415-02	AE-104415-03	AE-104415-04
49		Bottom Air Stop (2)	AE-104420-01	AE-104420-02	AE-104420-03	AE-104420-04
50		Coil Retainer	AE-104418-01	AE-104418-02	AE-104418-03	AE-104418-04
51		Nylon Plug	45-22926-03	45-22926-03	45-22926-03	45-22926-03
52		Screw - Cover Plate (4)	63-22153-01	63-22153-01	63-22153-01	63-22153-01
53		Cover Plate	AE-105800-01	AE-105800-01	AE-105800-01	AE-105800-01
54a		Access Valve Cap	83-100635-01 (4)	83-100635-01 (4)	83-100635-01 (4)	83-100635-01 (4)
54b		Valve Core - Bulkhead Valve	61-18551-01 (4)	61-18551-01 (4)	61-18551-01 (4)	61-18551-01 (4)
54c		Bulkhead Valve	61-22369-04 (4)	61-22369-04 (4)	61-22369-04 (4)	61-22369-04 (4)



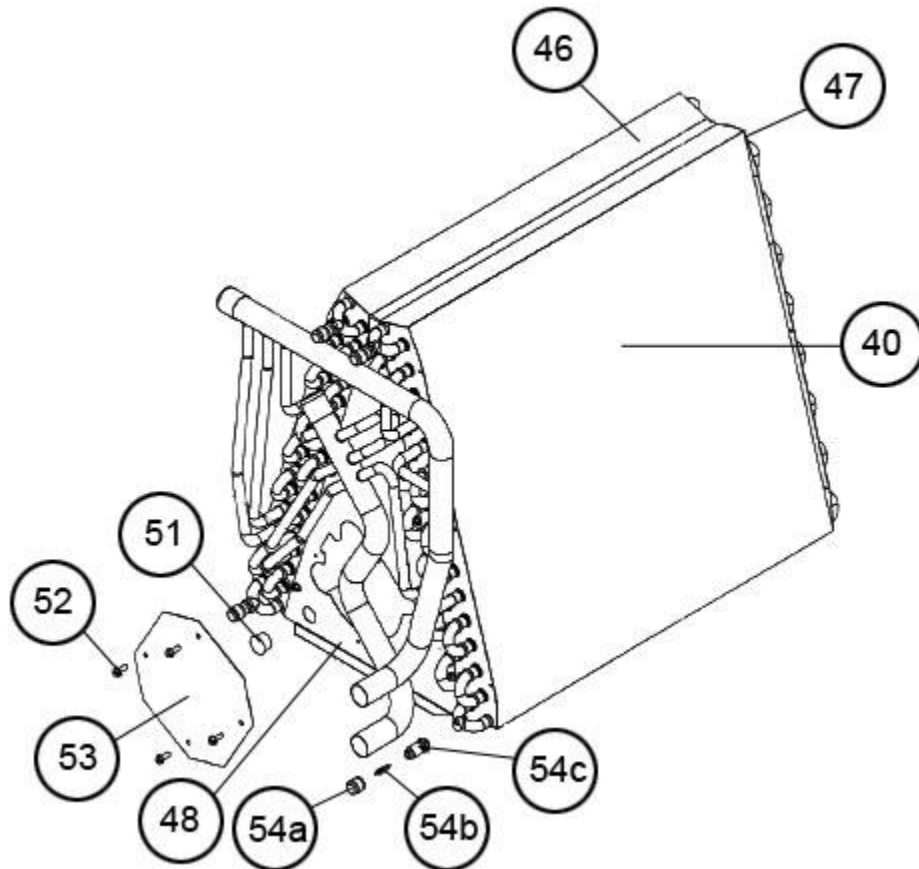
Cabinet Assembly



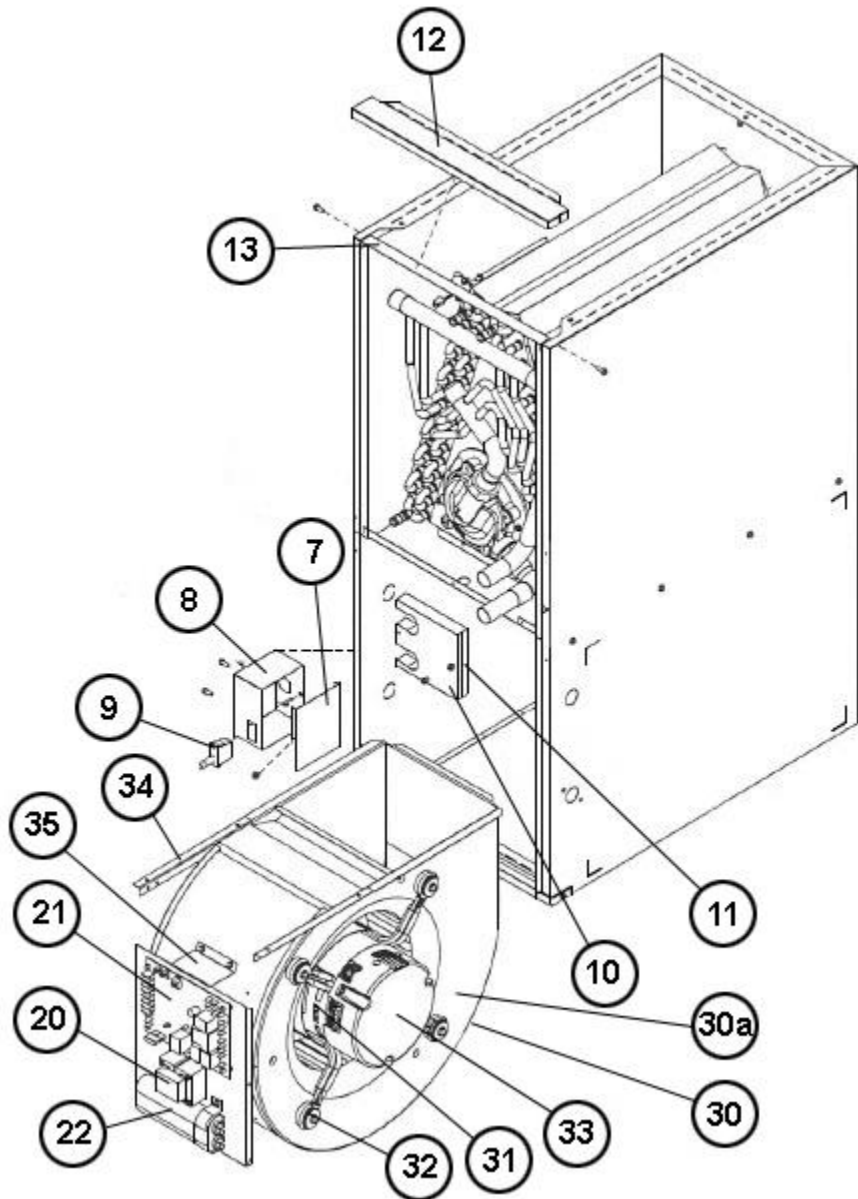
Door Assembly



Coil - Pump Assembly



Coil Assembly - 415 Option



Blower Assembly

NOTES

Stk It is recommended that stock be maintained for this part.
N/A Not Applicable