

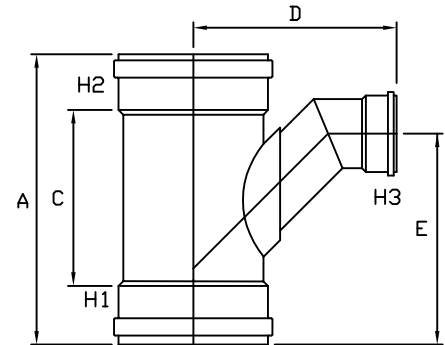
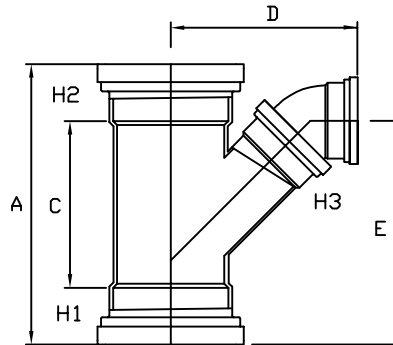
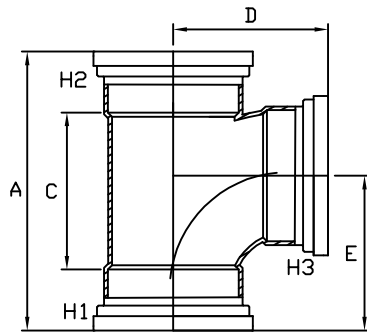


MULTI FITTINGS

LAYING LENGTH

ISSUE DATE: OCT 30/17
SUPERCEDES: MAR 11/05

TEE WYE (GxGxG)



INJECTION MOLDED FITTING (M)

INJECTION MOLDED FITTING (A)

FABRICATED FITTING (F)

	SIZE H1xH2xH3	PART NUMBER	A REF	C REF	D REF	E REF
<>M =	4x4x4	043156	11.125	6.000	6.000	6.750
M =	6x6x4	043158	11.625	5.750	6.500	6.750
M =	6x6x6	043449	14.625	8.750	8.375	9.000
<>M =	8x8x4	043159	12.875	6.000	8.250	7.500
M =	8x8x6	043160	15.000	8.125	8.500	8.500
A =	8x8x8	043450	19.000	12.125	17.000	17.125
<>M =	10x10x4	143693	17.125	9.375	8.875	9.875
M =	10x10x6	143451	17.125	9.375	10.000	9.875
A =	10x10x8	043452	22.750	15.000	17.750	18.750
A =	10x10x10	043014	22.750	15.000	20.750	20.750
<>M =	12x12x4	143453	18.125	9.250	9.750	10.500
M =	12x12x6	143454	18.125	9.250	11.250	10.500
A =	12x12x8	043455	26.750	17.875	18.750	20.625
A =	12x12x10	043694	26.750	17.875	21.375	22.250
A =	12x12x12	043489	26.625	17.875	24.625	24.500
A =	15x15x4	043456	22.250	12.750	15.250	15.250
A =	15x15x6	043457	22.250	12.750	17.625	17.500
A =	15x15x8	043458	22.250	12.750	20.625	19.000
F @	15x15x15	043012	-	-	-	-
F @	18x18x4	043999	40.000	17.500	19.000	22.000
F @	18x18x6	043459	40.000	17.500	22.000	27.500
F @	18x18x8	043460	-	-	-	-
F @	18x18x18	043017	-	-	-	-
F @	24x24x6	043290	48.000	21.500	27.400	30.000

Note: = Refer to Page G4 for Hub Detail, Type A

@ Refer to Page G5 for Hub Detail, Fabricated

<> 4" Deep hub