

# INSTALLATION INSTRUCTIONS

## Outdoor Storage

TDS1-20, TDD1-20, TDT1-20,  
TB1-20, DP1-42 & BC25 models

US CA NZ AU



# ① SAFETY AND WARNINGS

## ⚠ WARNING!



### Cut hazard

Take care - panel edges are sharp.

Failure to use caution could result in injury or cuts.

## ⚠ WARNING!



### Crush hazard

Closing drawers may cause injury to your hands or fingers. Always close or open drawers using their handles. Be sure to keep hands away from drawer edges when opening or closing drawers.

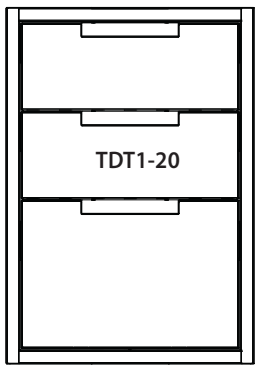
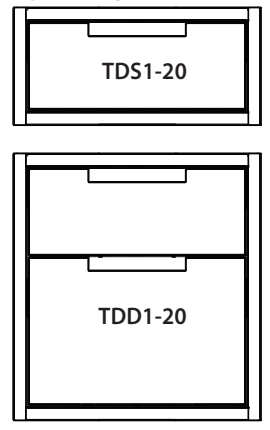
Failure to use caution could result in injury or cuts.

## IMPORTANT SAFETY INSTRUCTIONS!

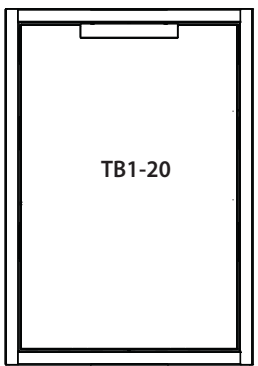
- Do not remove permanently affixed labels, warnings, or plates from the product. This may void the warranty.
- Please make this information available to the person installing the appliance as it could reduce your installation costs.
- Please leave these instructions with the appliance. Inform the customer to retain for future reference and for the local inspectors' use.
- Failure to install the appliance correctly could invalidate any warranty or liability claims.
- Only genuine replacement parts may be used for servicing the appliance. These are available from your nearest Fisher & Paykel Service Center.
- the countertop is square and level and no structural members interfere with space requirements
- Do Not store or use gasoline or other flammable vapors and liquids inside or in the vicinity of this or any other appliance.
- An LP cylinder not connected for use shall not be stored inside or in the vicinity of this unit.

**2 MODEL LINE UP**

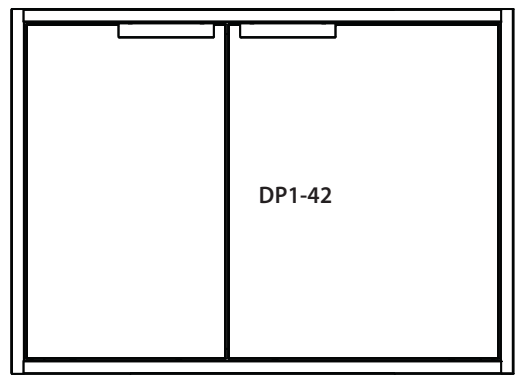
**DRAWERS**



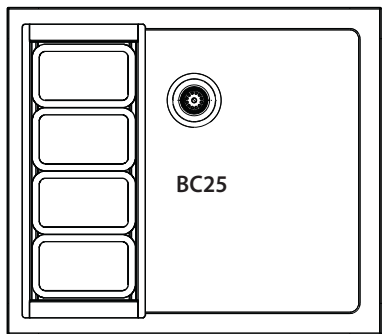
**WASTE BASKET**



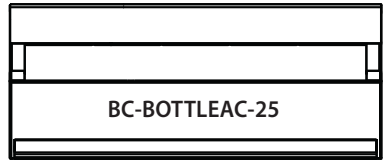
**PANTRY**



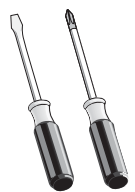
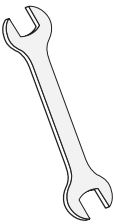

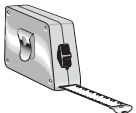

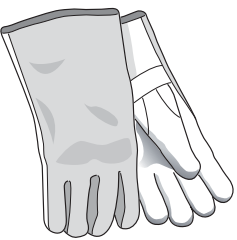
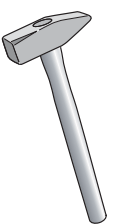
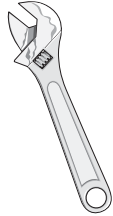
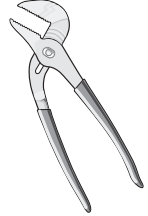
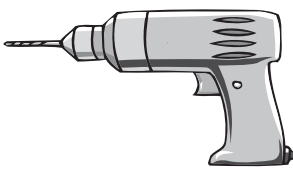
**BEVERAGE CHILLER**



**BOTTLE HOLDER**

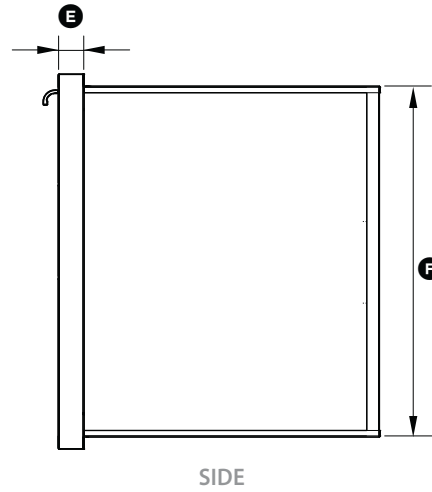
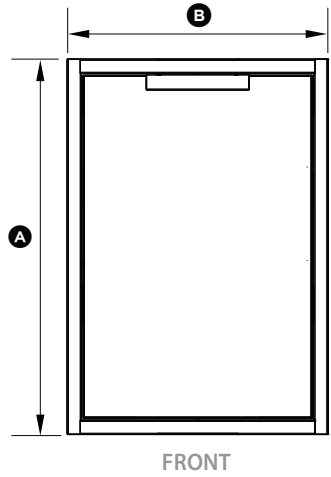
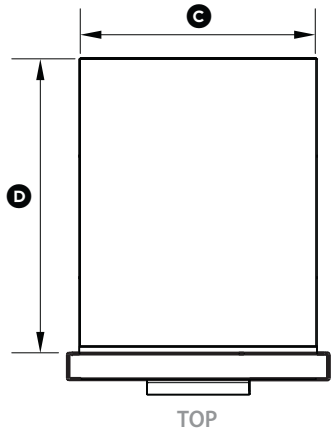


**3 TOOLS REQUIRED (NOT SUPPLIED)**

|   |  |  |  |   |
|---|--|--|--|---|
| <br>Screwdriver                 | <br>2 - Wrench | <br>Pencil             | <br>Tape measure       | <br>Safety Glasses |
| <br>Suitable protective gloves | <br>Hammer    | <br>Adjustable wrench | <br>Adjustable pliers | <br>Drill         |

# ④ PRODUCT DIMENSIONS - DRAWERS, PANTRY & WASTE BASKET

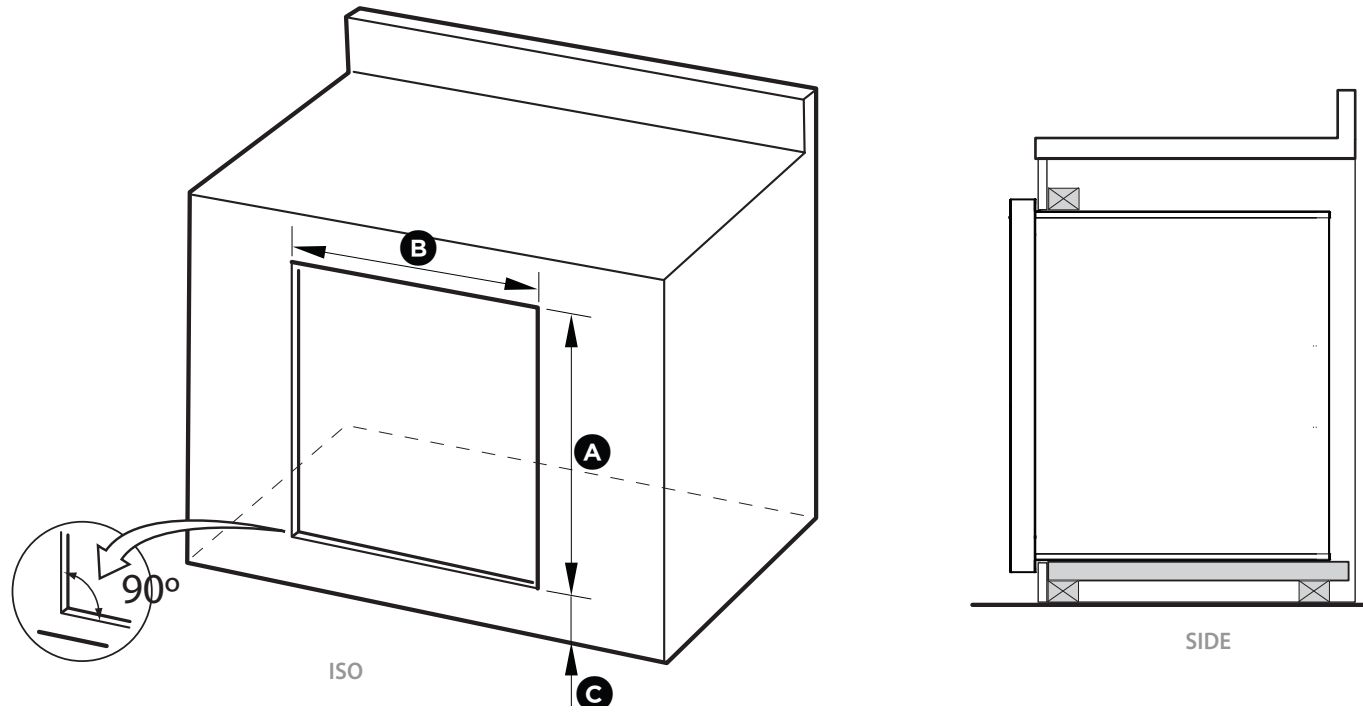
TB1-20 model shown for illustration purposes



Product dimensions inches (mm)

|   | TDS1-20        | TDD1-20        | TD11-20         | TB1-20          | DP1-42         |
|---|----------------|----------------|-----------------|-----------------|----------------|
| A overall height of product               | 9 5/8" (245)   | 21 7/8" (556)  | 29 1/8" (740)   | 29 1/8" (740)   | 30 1/2" (775)  |
| B overall width of product                | 20 5/16" (516) | 20 5/16" (516) | 20 5/16" (516)  | 20 5/16" (516)  | 42" (1066)     |
| C width of chassis                        | 18 1/2" (469)  | 18 1/2" (469)  | 18 1/2" (469)   | 18 1/2" (469)   | 40" (1016)     |
| D depth of chassis                        | 23" (585)      | 23" (585)      | 23" (585)       | 23" (585)       | 23 1/16" (601) |
| E depth of front frame (excluding handle) | 2" (51)        | 2" (51)        | 2" (51)         | 2" (51)         | 2" (51)        |
| F height of chassis                       | 8 5/16" (210)  | 20 1/2" (520)  | 27 13/16" (705) | 27 13/16" (705) | 29" (736)      |

# 5 CABINETY DIMENSIONS (PROUD INSTALLATION) - DRAWERS, PANTRY & WASTE BASKET

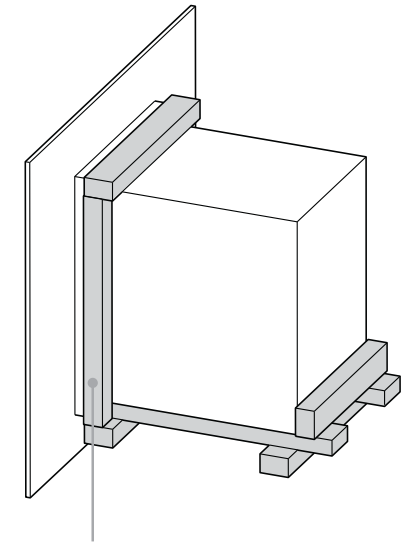
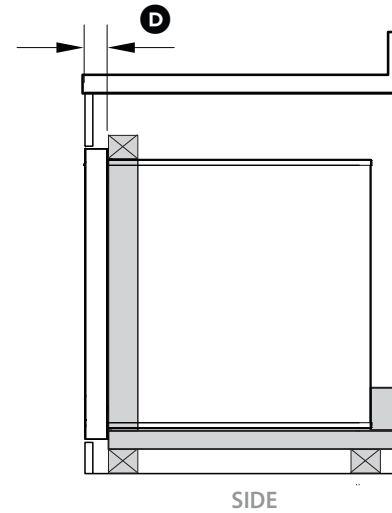
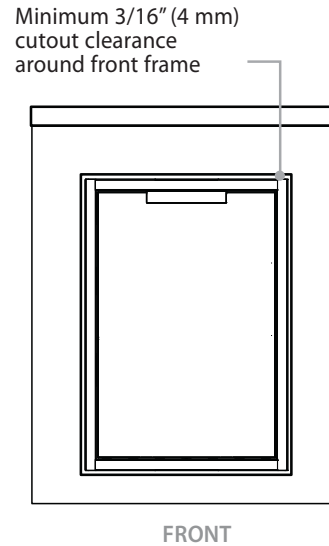
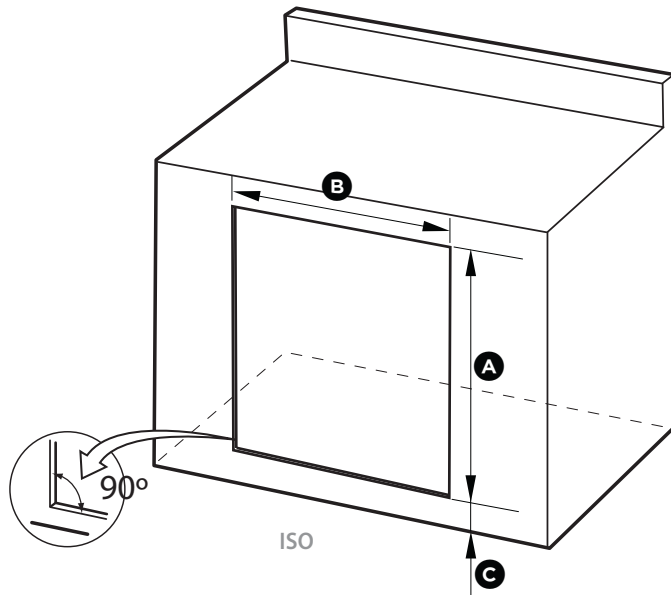


Cabinetry dimensions inches (mm)

|  | TDS1-20           | TDD1-20           | TDT1-20           | TB1-20            | DP1-42            |
|--|-------------------|-------------------|-------------------|-------------------|-------------------|
| A overall height of cutout               | 8 7/16" (215)     | 20 1/16" (525)    | 28" (710)         | 28" (710)         | 29 3/16" (741)    |
| B overall width of cutout                | 18 7/8" (480)     | 18 7/8" (480)     | 18 7/8" (480)     | 18 7/8" (480)     | 40 7/16" (1026)   |
| C height from ground to bottom of cutout | min. 1 3/16" (30) | min. 1 3/16" (30) | min. 1 3/16" (30) | min. 1 3/16" (30) | min. 1 3/16" (30) |

# 5 CABINETRY DIMENSIONS (FLUSH INSTALLATION) - DRAWERS, PANTRY & WASTE BASKET

TB1-20 model shown for illustration purposes



A frame should be constructed 2" (51 mm) setback from the front face of the product to both push the product up against and conceal the cutout clearance around the front frame.

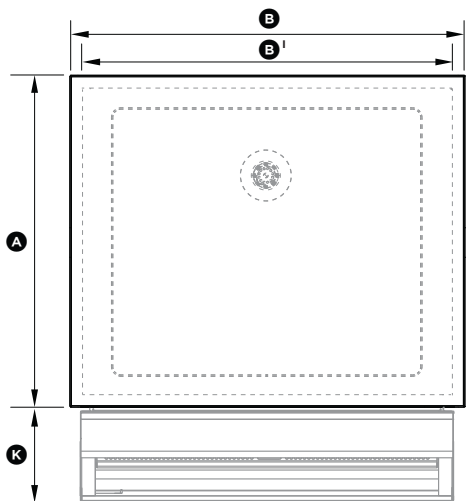
**Important!**

Do not seal the product in with silicone caulk or similiar. Doing so will result in the product being difficult to remove for servicing.

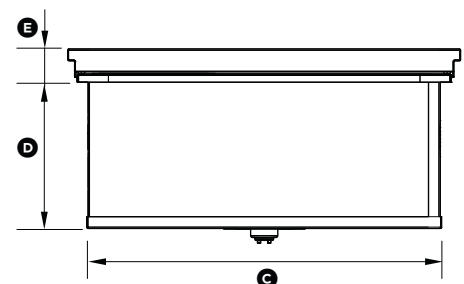
Cabinetry dimensions inches (mm)

|  | TDS1-20           | TDD1-20           | TDT1-20           | TB1-20            | DP1-42            |
|--|-------------------|-------------------|-------------------|-------------------|-------------------|
| A overall height of cutout               | 9 13/16" (249)    | 22 1/16" (560)    | 29 5/16" (745)    | 29 5/16" (745)    | 30 11/16" (779)   |
| B overall width of cutout                | 20 1/2" (521)     | 20 1/2" (521)     | 20 1/2" (521)     | 20 1/2" (521)     | 42 3/16" (1072)   |
| C height from ground to bottom of cutout | min. 1 3/16" (30) | min. 1 3/16" (30) | min. 1 3/16" (30) | min. 1 3/16" (30) | min. 1 3/16" (30) |
| D setback for flush installation         | 2" (51)           | 2" (51)           | 2" (51)           | 2" (51)           | 2" (51)           |

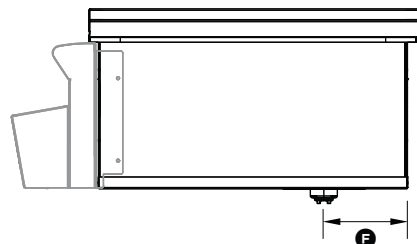
# 6) PRODUCT & CABINETY DIMENSIONS - BEVERAGE CHILLER / BOTTLE HOLDER



TOP

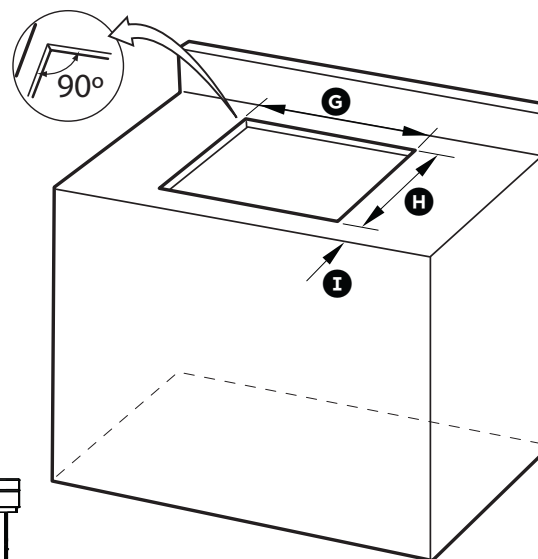


FRONT

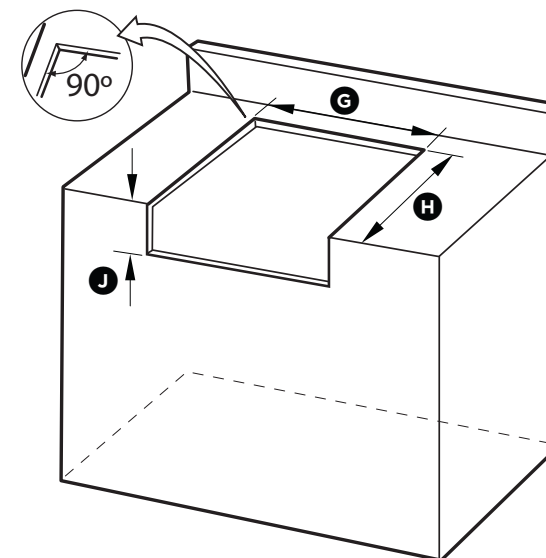


SIDE

WITHOUT BOTTLE HOLDER ACCESSORY



INCLUDING BOTTLE HOLDER ACCESSORY



Make sure the countertop is square and level and no structural members interfere with space requirements.

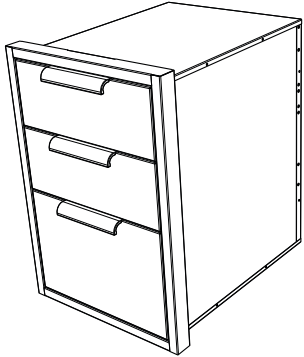
Cabinetry dimensions inches (mm)

BC25

|    |  |                 |
|----|--|-----------------|
| A  | overall depth of product (including lid)                 | 21 15/16" (557) |
| B  | overall width of product (including lid)                 | 26 3/8" (670)   |
| B' | overall width of product (excluding lid)                 | 25 1/16" (636)  |
| C  | width of chassis   | 23 15/16" (608) |
| D  | height of chassis (below countertop)                     | 9 13/16" (249)  |
| E  | height of frame (including lid)                          | 2 1/4" (57)     |
| F  | distance from rear of chassis to centre of drain         | 5 9/16" (142)   |
| G  | overall width of cutout                                  | 24 3/16" (615)  |
| H  | depth of cutout:   |                 |
|    | without bottle holder accessory                          | 21 1/16" (535)  |
|    | including bottle holder accessory                        | 21 11/16" (550) |
| I  | minimum distance from front of countertop to cutout      | 5/8" (15)       |
| J  | height of cutout for bottle holder accessory             | 9 7/8" (250)    |
| K  | depth of bottle holder at widest point to front of frame | 6 5/8" (168)    |

## 7a) DISCARD PACKAGING

Model may vary from illustrations shown



Recycle responsibly

Inspect the product(s) to verify that there is no shipping damage. If any damage is detected, call the shipper and initiate a damage claim. DCS by Fisher & Paykel is not responsible for shipping damage.

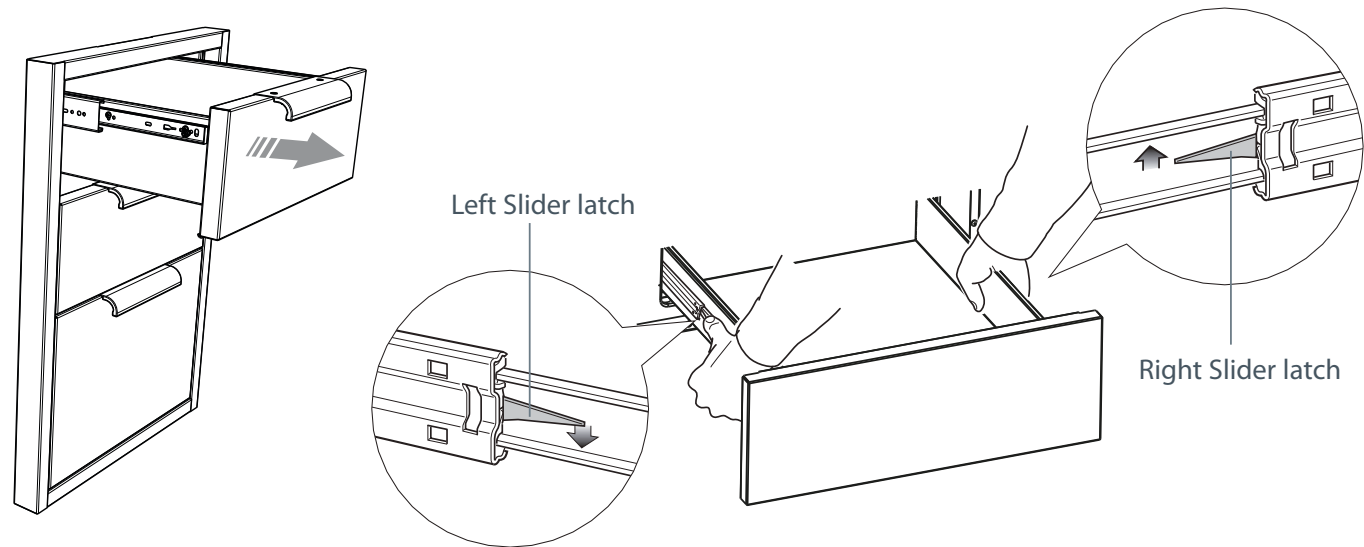
NOTE: Do not discard any packing material until the unit has been inspected. Operate the drawers to be sure they glide smoothly. Examine the fronts to be sure there are no dents or scratches or discoloring.

## 8a) REMOVE ALL DRAWERS TO ACCESS SCREW HOLE LOCATIONS

To remove the drawer(s)

- 1 Remove the drawers by pulling them out until the slider latch is visible.
- 2 Carefully push the latch down on the left side, while lifting up the latch on the right side.
- 3 Pull the drawer out of the frame.

Note: to prevent damage to surfaces, place the drawers on a stable surface on a protective towel or table cloth.

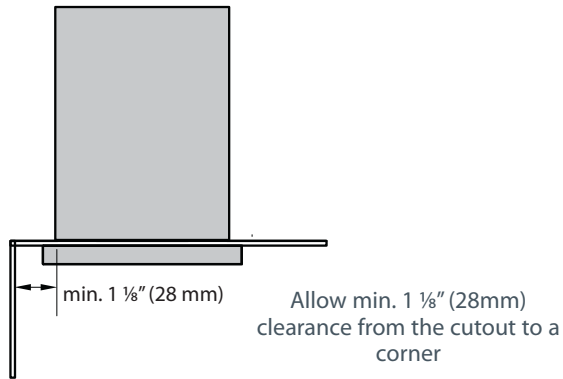




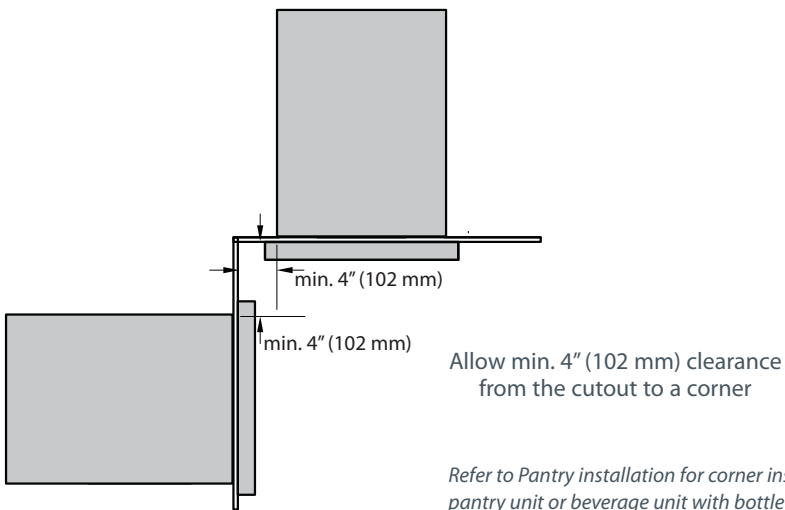
# 9a PREPARE THE CAVITY

- Ensure the cavity is level, square and able to support the weight of the product when full.
  - Any cabinet and/or ground preparation must be completed prior to installation.
  - All support structures must be constructed of materials resistant to moisture damage.
  - Do not use harsh products (acid, solvent, sealers) around this product.
- 1 Depending on your construction, place either a shelf or at least two (min 2" (51 mm) wide) moisture resistant supports in the cutout. Ensure all support boards are flat and level.

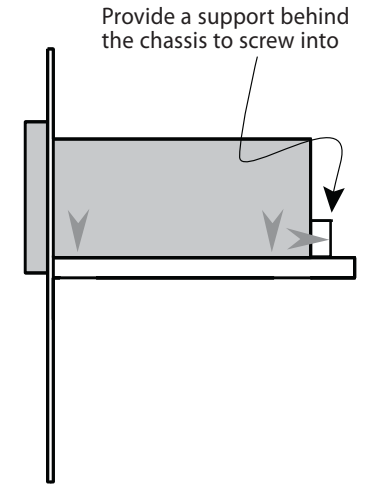
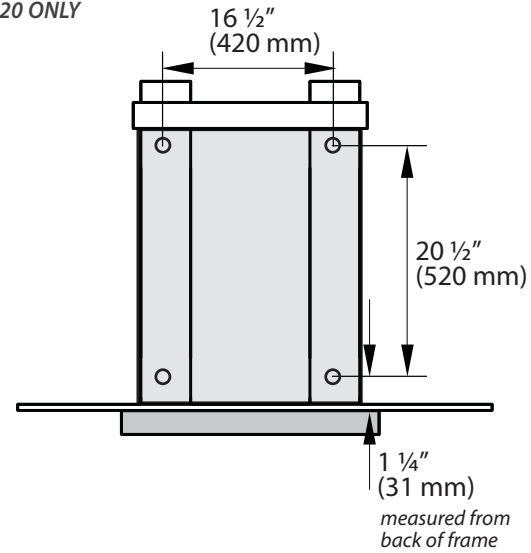
## CORNER INSTALLATION



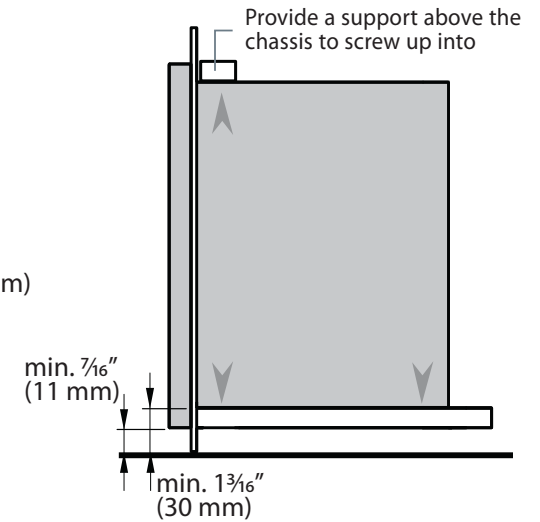
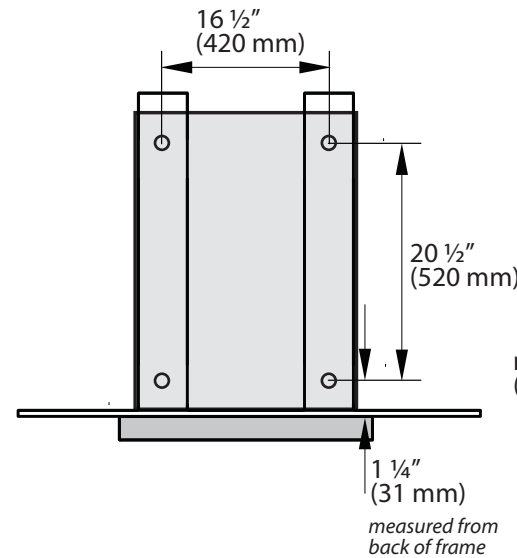
## CORNER INSTALLATION WITH TWO PRODUCTS



## TDS1-20 ONLY



## TDD1-20, TDT1-20 & TB1-20 ONLY



# 10a INSERT PRODUCT INTO CAVITY & SECURE

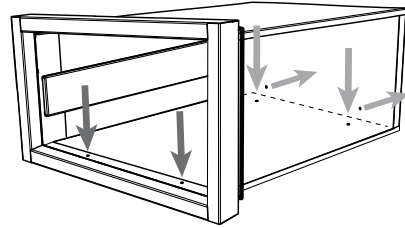
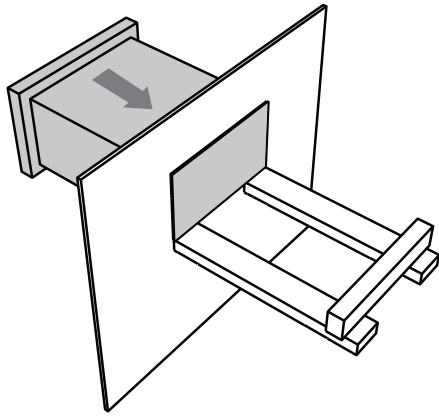
- 1 With the help of an assistant, lift the unit and slide it into the cabinet cutout along the supports. Adjust for level and fit.
- 2 Locate the mounting holes (front and rear of base on each side).

### Single Drawer TDS1-20 only:

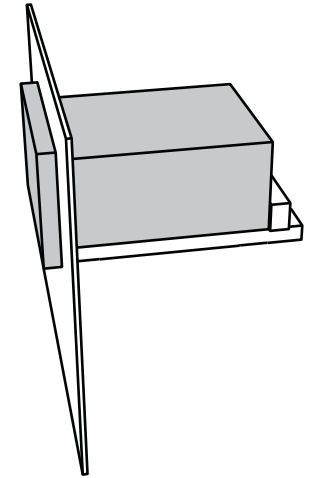
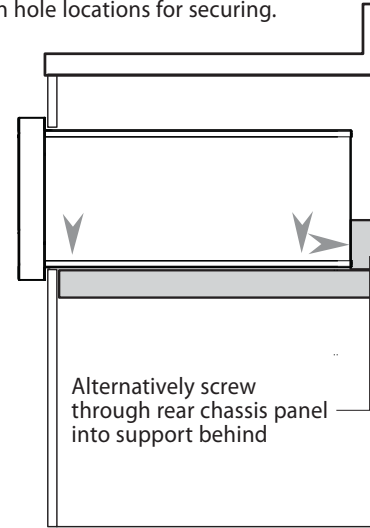
If you find the rear base screw hole locations inaccessible, you may screw through the rear chassis panel into the support behind the unit.

- 3 Secure the unit using screws suitable for the type of cabinetry materials used. We recommend using all the shown hole locations for securing.

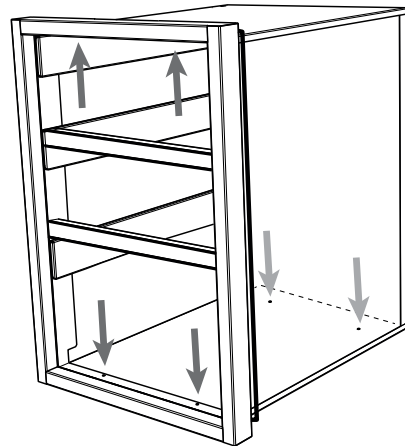
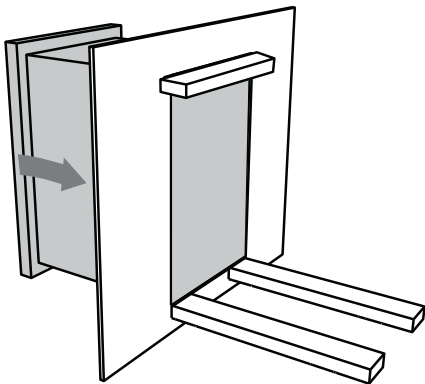
TDS1-20 ONLY



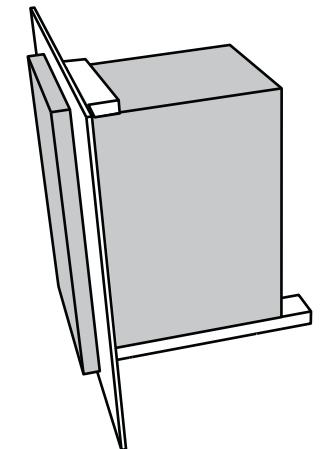
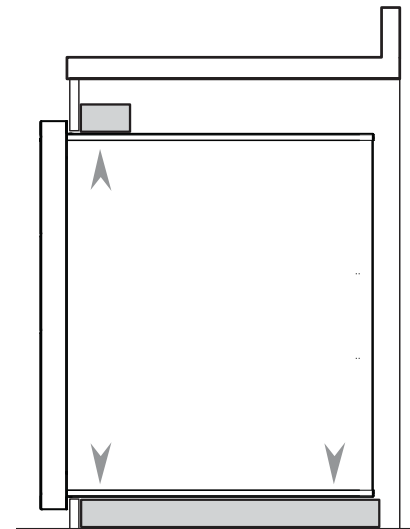
Refer to Step 9a for screw mounting hole positions



TDD1-20, TDT1-20 & TB1-20 ONLY



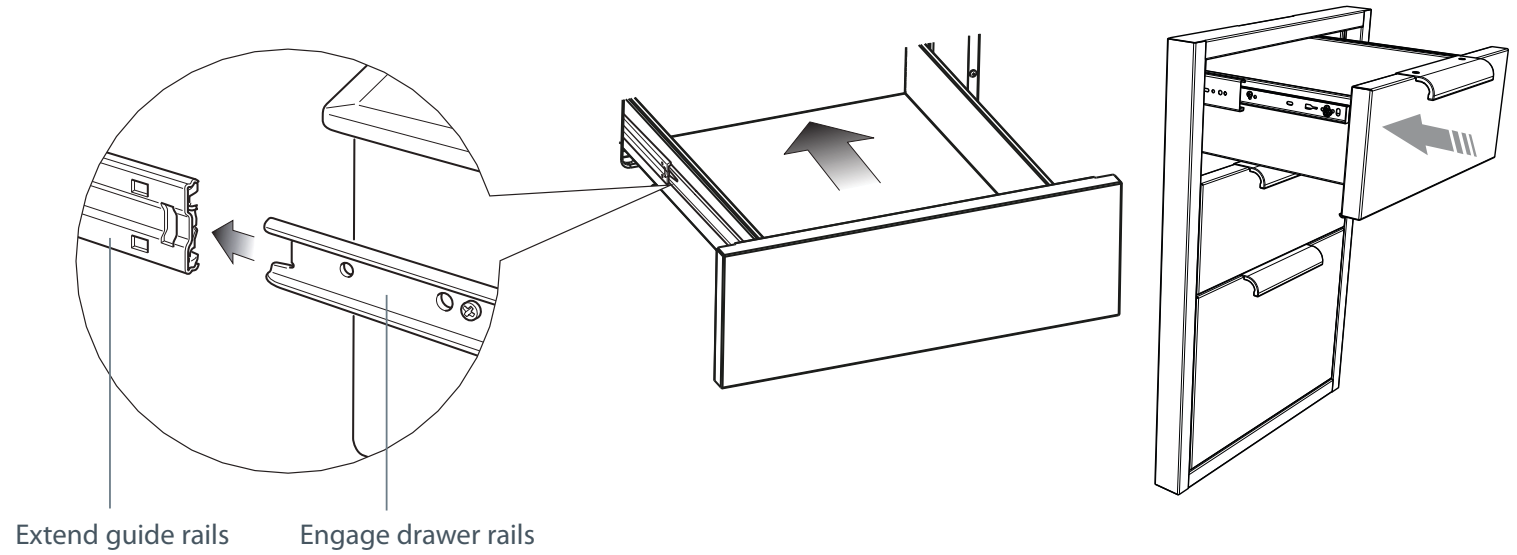
Refer to Step 9a for screw mounting hole positions



## 11a REPLACE ALL DRAWERS

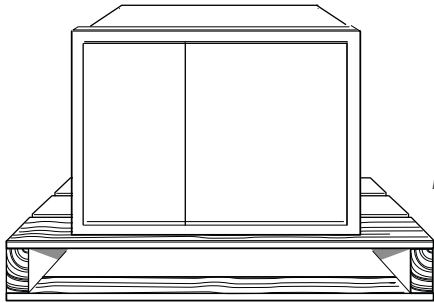
### To replace the drawer(s)

- 1 Extend both guide rails out.
- 2 Engage the drawer rails into the guide rails. Pull the guide rails forward until they 'click' into place.
- 3 Push the drawer all the way in (there will be some resistance) to completely engage the drawer.



## 7b) DISCARD PACKAGING

Model may vary from illustrations shown



Recycle responsibly

Inspect the product(s) to verify that there is no shipping damage. If any damage is detected, call the shipper and initiate a damage claim. DCS by Fisher & Paykel is not responsible for shipping damage.

NOTE: Do not discard any packing material until the unit has been inspected. Operate the drawers and shelves to be sure they glide smoothly. Examine the fronts to be sure there are no dents or scratches or discoloring.

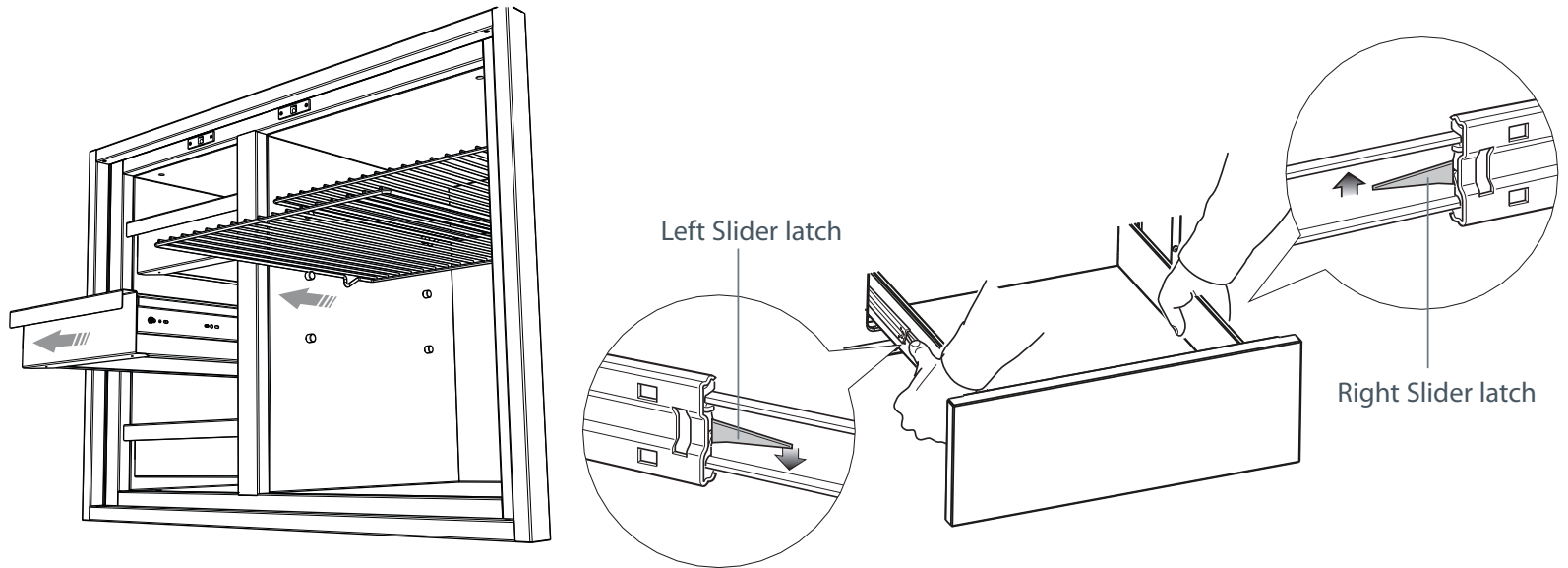
Exercise caution if fully opening the pantry doors. The outer frame could mark the door fronts.

## 8b) REMOVE ALL DRAWERS and SHELVES TO ACCESS SCREW HOLE LOCATIONS

### To remove the drawer(s)

- 1 Remove the drawers by pulling them out until the slider latch is visible.
- 2 Carefully push the latch down on the left side, while lifting up the latch on the right side.
- 3 Pull the drawer out of the frame.

Note: to prevent damage to surfaces, place the drawers on a stable surface on a protective towel or table cloth.

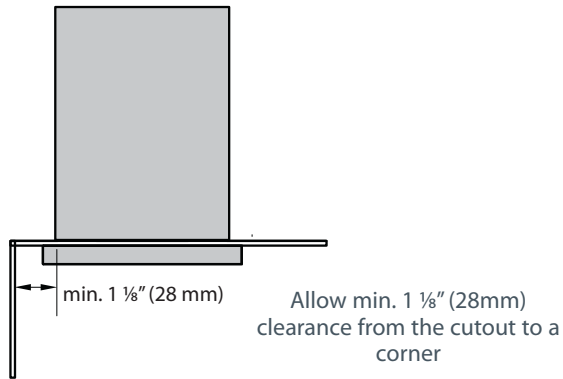


## 9b) PREPARE THE CAVITY

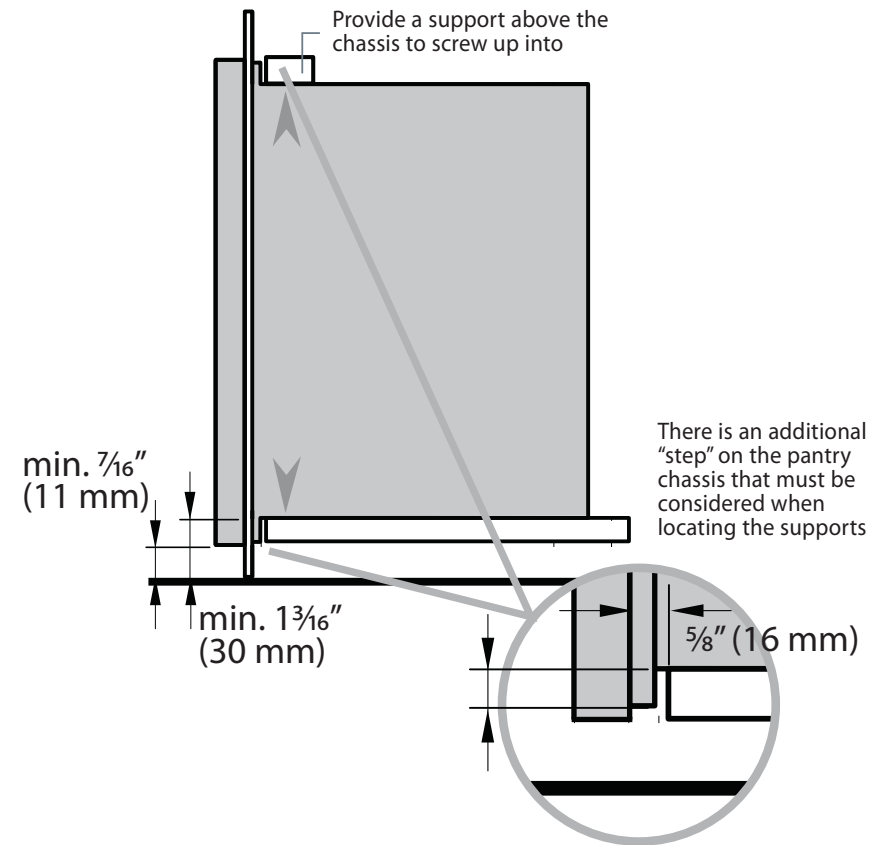
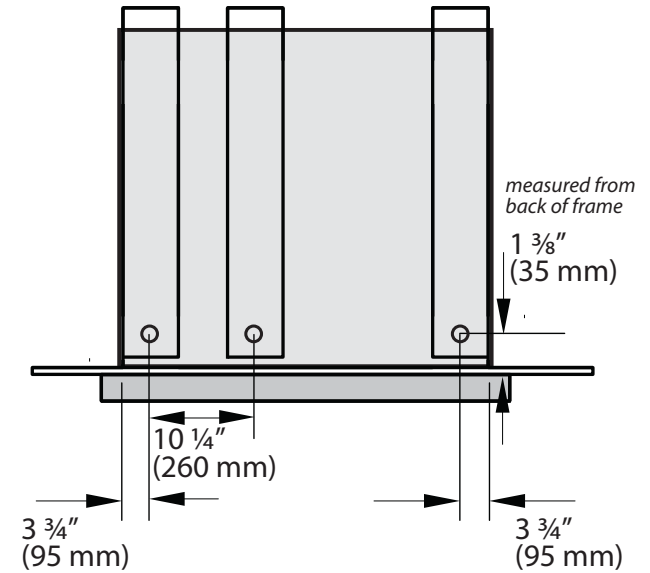
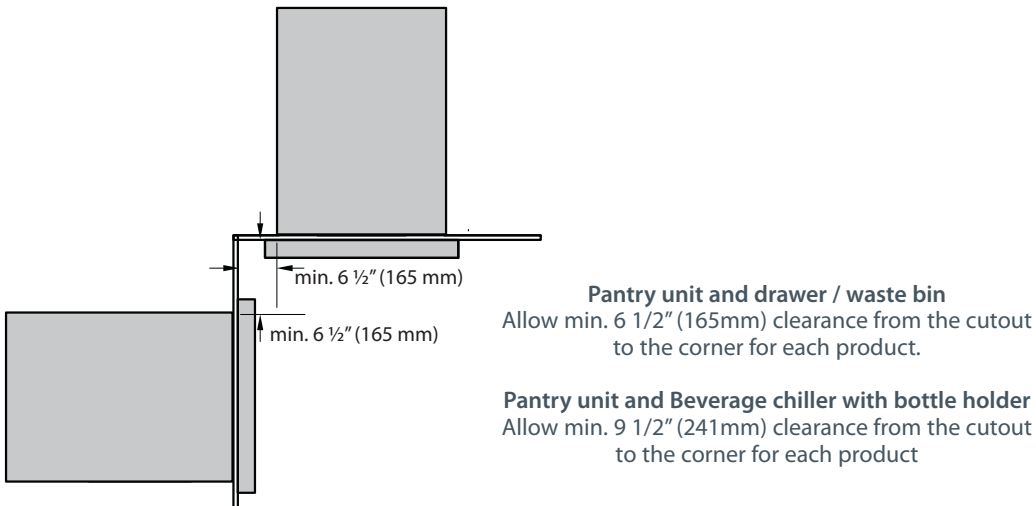
- Ensure the cavity is level, square and able to support the weight of the product when full.
- Any cabinet and/or ground preparation must be completed prior to installation.
- All support structures must be constructed of materials resistant to moisture damage.
- Do not use harsh products (acid, solvent, sealers) around this product.

- 1 Depending on your construction, place either a shelf or at least two (min 2" (51 mm) wide) moisture resistant supports in the cutout, paying special attention to the "step" on the base of the chassis. Ensure all support boards are flat and level.
- 2 Provide a similar support above the chassis to screw up into as shown.

### CORNER INSTALLATIONS

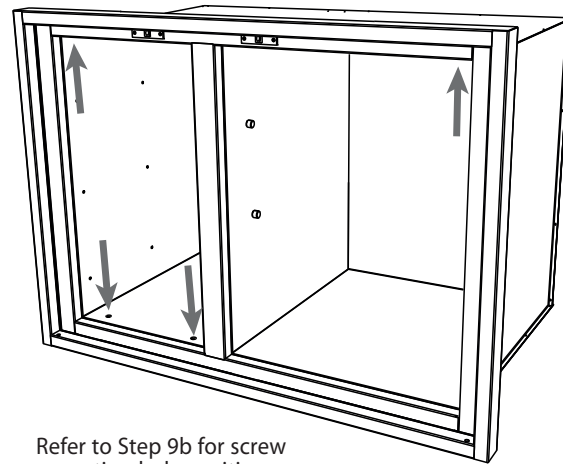
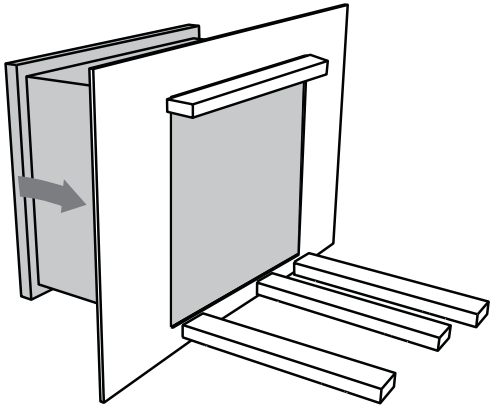


### CORNER INSTALLATIONS WITH TWO PRODUCTS (INCLUDING PANTRY)

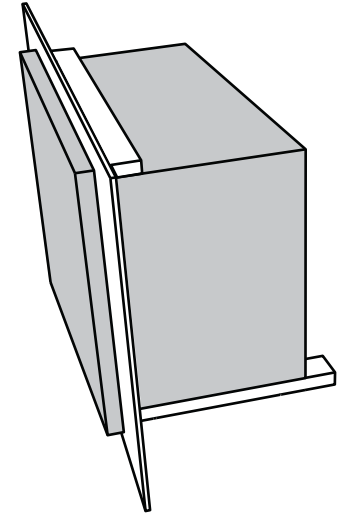
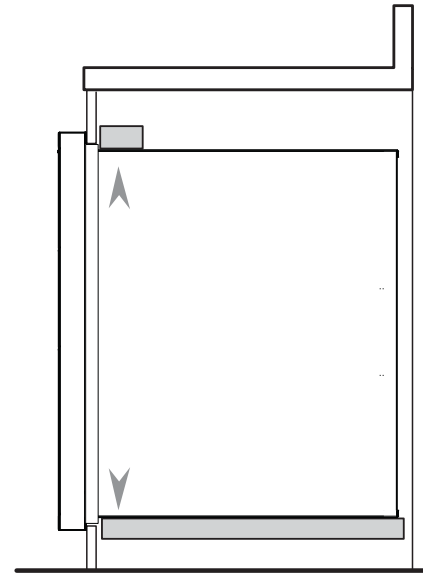


## 10b INSERT PRODUCT INTO CAVITY & SECURE

- 1 With the help of an assistant, lift the unit and slide it into the cabinet cutout along the supports. Adjust for level and fit.
- 2 Locate the mounting holes (front top left and right sides and front base of drawer compartment).
- 3 Remove the transit plugs from the holes you intend to use.
- 4 Secure the unit using countersunk screws suitable for the type of cabinetry materials used.  
We recommend using all the shown hole locations for securing.



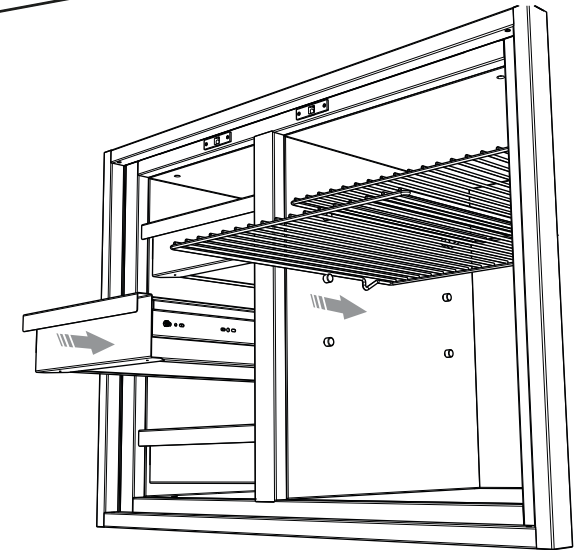
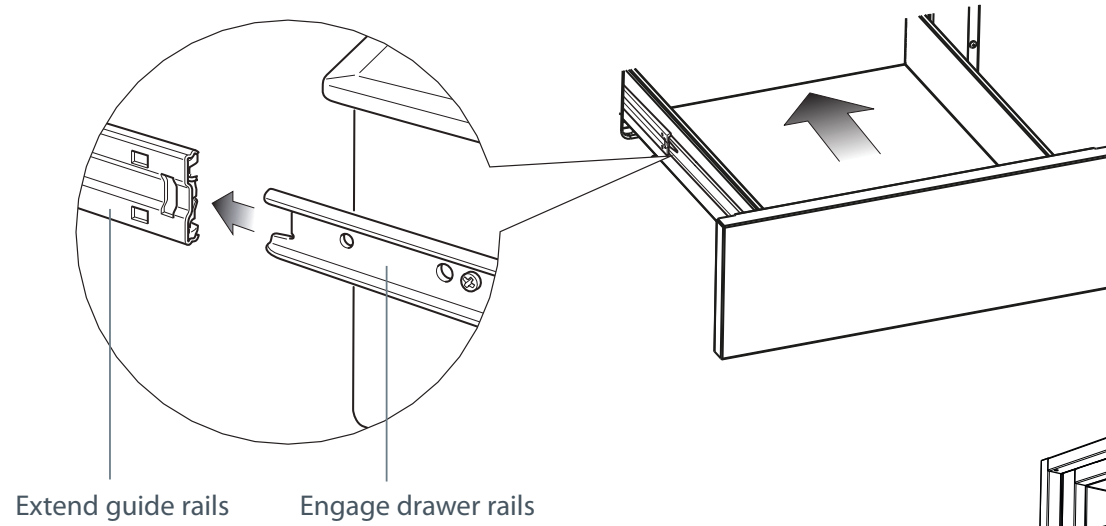
Refer to Step 9b for screw mounting hole positions



## 11b REPLACE ALL DRAWERS & SHELVES

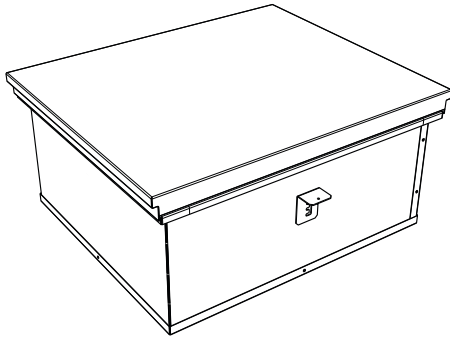
### To replace the drawer(s)

- 1 Extend both guide rails out.
- 2 Engage the drawer rails into the guide rails. Pull the guide rails forward until they 'click' into place.
- 3 Push the drawer all the way in (there will be some resistance) to completely engage the drawer.



## 7c DISCARD PACKAGING

Model may vary from illustrations shown



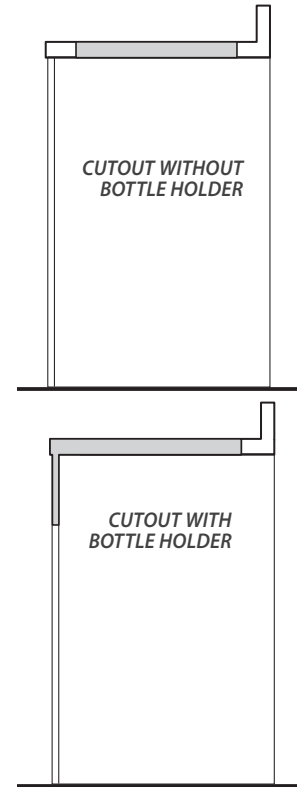
Recycle responsibly

Inspect the product(s) to verify that there is no shipping damage. If any damage is detected, call the shipper and initiate a damage claim. DCS by Fisher & Paykel is not responsible for shipping damage.

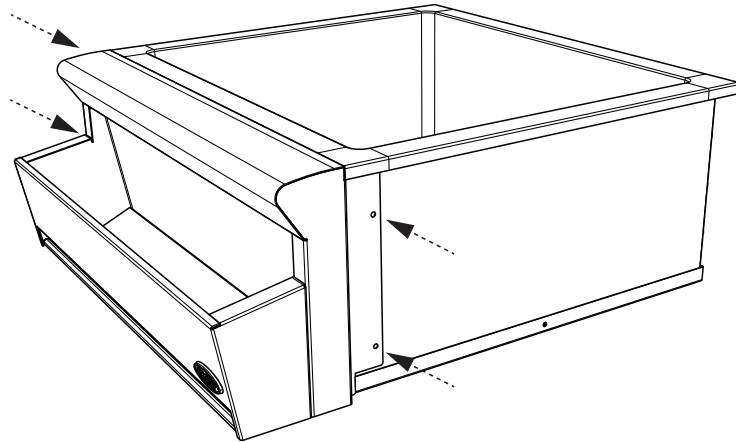
NOTE: Do not discard any packing material until the unit has been inspected. Examine the product to be sure there are no dents or scratches or discoloring.

## 8c PREPARE THE CAVITY

- Ensure the base of the cavity is level, square and able to support the weight of the product when full.
- Any cabinet and/or ground preparation must be completed prior to installation.
- All support structures must be constructed of materials resistant to moisture damage.
- Do not use harsh products (acid, solvent, sealers) around this product.
- For installation with the Bottle holder (purchased separately), the cutout must extend to the front of the cabinetry, allowing space for the bottle holder (as shown).



## 9c OPTIONALLY ATTACH BOTTLE HOLDER (PURCHASED SEPERATELY) TO BEVERAGE CHILLER

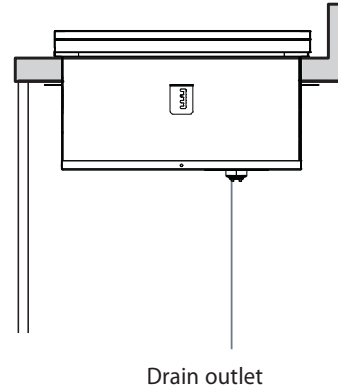
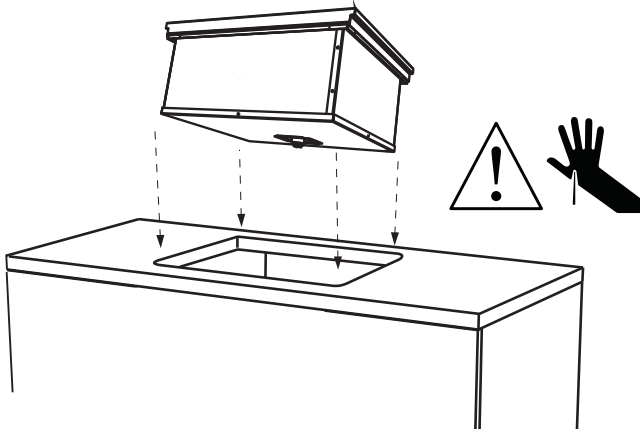


- 1 Fit the bottle holder onto the front of the Beverage chiller.
- 2 Attach the bottle holder to the Beverage chiller with the screws provided.
- 3 Unwrap the drip tray and fit in the bottom of the bottle holder.

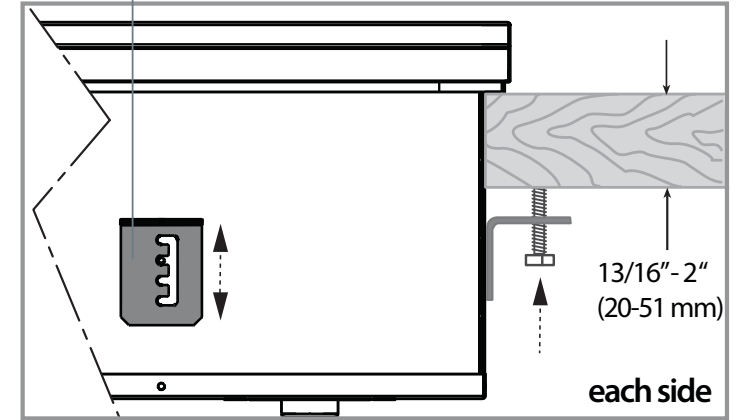


## 10c LOWER PRODUCT INTO CUTOUT, ATTACH MOUNTING BRACKETS & SECURE

- 1 With the help of an assistant lower the chiller into the cutout, ensuring the drain outlet is accessible.
- 2 Locate the mounting holes on each side of the beverage chiller and screw in the provided mounting clamps at the appropriate level for the countertop.
- 3 Secure the beverage chiller into place by tightening the clamping screws against the countertop on two sides.



Each mounting clamp comes with 4 positions. Screw the clamps into the most appropriate position using the screws provided.



## 11c CONNECT TO THE DRAINAGE SYSTEM

It is recommended that the Beverage Chiller be connected to the permanent waste drainage system.

### **Important!**

*Connection to the existing drainage system must be carried out by certified plumber and in accordance with local codes and regulations.*

### Drain Connection

#### USA and Canada

The sink drain connection is 1-1/2" NPS male thread.

#### Australia and New Zealand

A 1-1/2" BSP male thread connection is required.

Attach the supplied 1 1/2" NPS male to 1 1/2" BSP thread adaptor.



**TO BE COMPLETED BY THE INSTALLER**

- Are products secure and level within the enclosure?
- Are all the drawers, doors and shelves fitted correctly and open and shut smoothly?
- Have you demonstrated the basic operation to the customer?
- Are the soft close drawers working correctly?  
*(Note: the pantry doors and drawers are not soft closing).*

**BC25 Beverage Chiller only:**

- Have you installed the clamping brackets?
- Has all the suitable plumbing connections been checked?

Installer's name: .....

Installer's signature: .....

Installation company: .....

Date of installation: .....

**LEAVE THESE INSTRUCTIONS WITH THE CUSTOMER**

**Important!**  
**SAVE THESE INSTRUCTIONS**

*The models shown in this document may not be available in all markets and are subject to change at any time. For current details about model and specification availability in your country, please visit our website listed at the end of this document or contact your local Fisher & Paykel dealer.*







# INSTRUCTIONS D'INSTALLATION

## Solutions de rangement pour l'extérieur

Modèles TDS1-20, TDD1-20, TDT1-20,  
TB1-20, DP1-42 et BC25

US CA NZ AU



## ⚠ MISE EN GARDE!



### Risque de coupure

Attention, les bords du panneau sont tranchants.

Des blessures ou des coupures peuvent survenir si vous ne faites pas preuve de prudence.

## ⚠ MISE EN GARDE!



### Risque d'écrasement

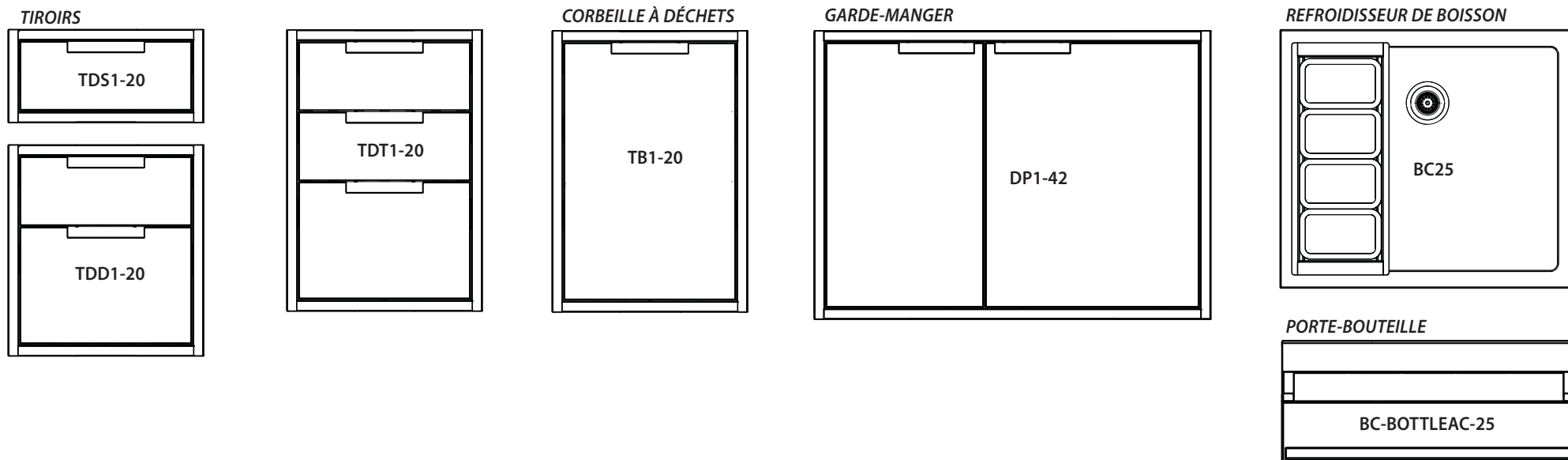
La fermeture des tiroirs pourrait causer des blessures à vos mains ou doigts. Fermez ou ouvrez toujours les tiroirs en utilisant leur poignée. Assurez-vous d'éloigner les mains des rebords de tiroir lors de l'ouverture ou la fermeture des tiroirs.

Des blessures ou des coupures peuvent survenir si vous ne faites pas preuve de prudence.


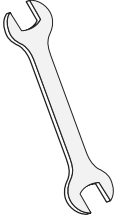

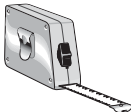

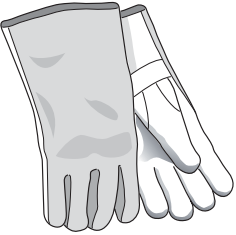



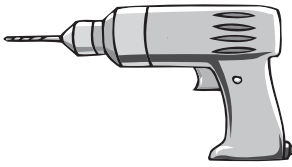
## CONSIGNES DE SÉCURITÉ IMPORTANTES!

- Ne retirez pas les étiquettes, mises en garde ou plaques signalétiques apposées de façon permanente sur le produit. Cela pourrait entraîner l'annulation de la garantie.
- Remettez ces instructions à la personne qui installera l'appareil. Cela pourrait réduire vos coûts d'installation.
- Laissez ces instructions avec l'appareil. Demandez au client de les conserver pour toute référence ultérieure ou vérification des inspecteurs locaux.
- Le fait de ne pas installer l'appareil de façon adéquate pourrait entraîner l'annulation de toute garantie ou réclamation.
- Utilisez uniquement des pièces de remplacement authentiques pour effectuer l'entretien ou les réparations de l'appareil. Vous pouvez vous les procurer auprès d'un Centre de service Fisher & Paykel de votre région.
- le comptoir est au niveau et bien droit, et aucune pièce de charpente ne nuit aux exigences de dégagement.
- Ne rangez et n'utilisez pas de l'essence ou d'autres liquides et vapeurs inflammables à l'intérieur ou à proximité de cet appareil ou de tout autre appareil.
- Ne rangez pas de bouteille de gaz de pétrole liquéfié déconnectée et inutilisée à l'intérieur ou à proximité de cet appareil.

## ② GAMME DE MODÈLES



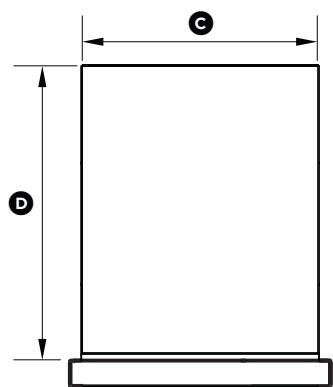
## ③ OUTILS REQUIS (NON FOURNIS)

|   |   |   |   |  |
|---|---|---|---|--|
|   |   |   |   |   |
| Tournevis   | 2 - Clé   | Crayon  | Ruban à mesurer   | Lunettes de sécurité   |
|  |  |  |  |  |
| Gants de protection   | Marteau   | Clé ajustable   | Pincès ajustables   | Perceuse   |

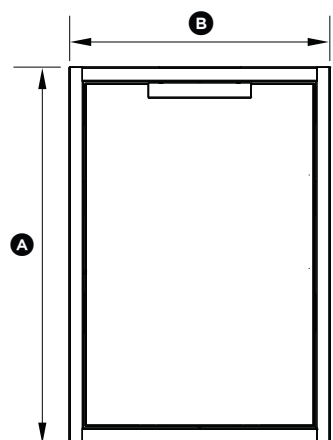


## ④ DIMENSIONS DU PRODUIT - TIROIRS, GARDE-MANGER ET CORBEILLE À DÉCHETS

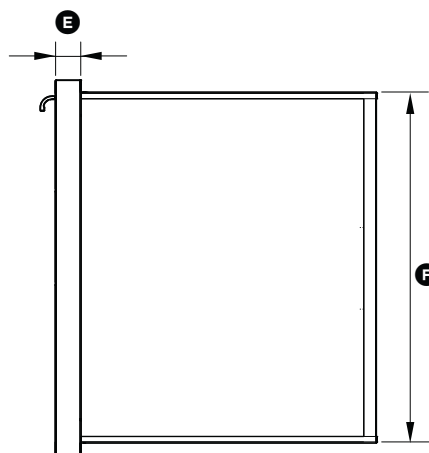
Modèle TB1-20 présenté à titre indicatif



DESSUS



DEVANT

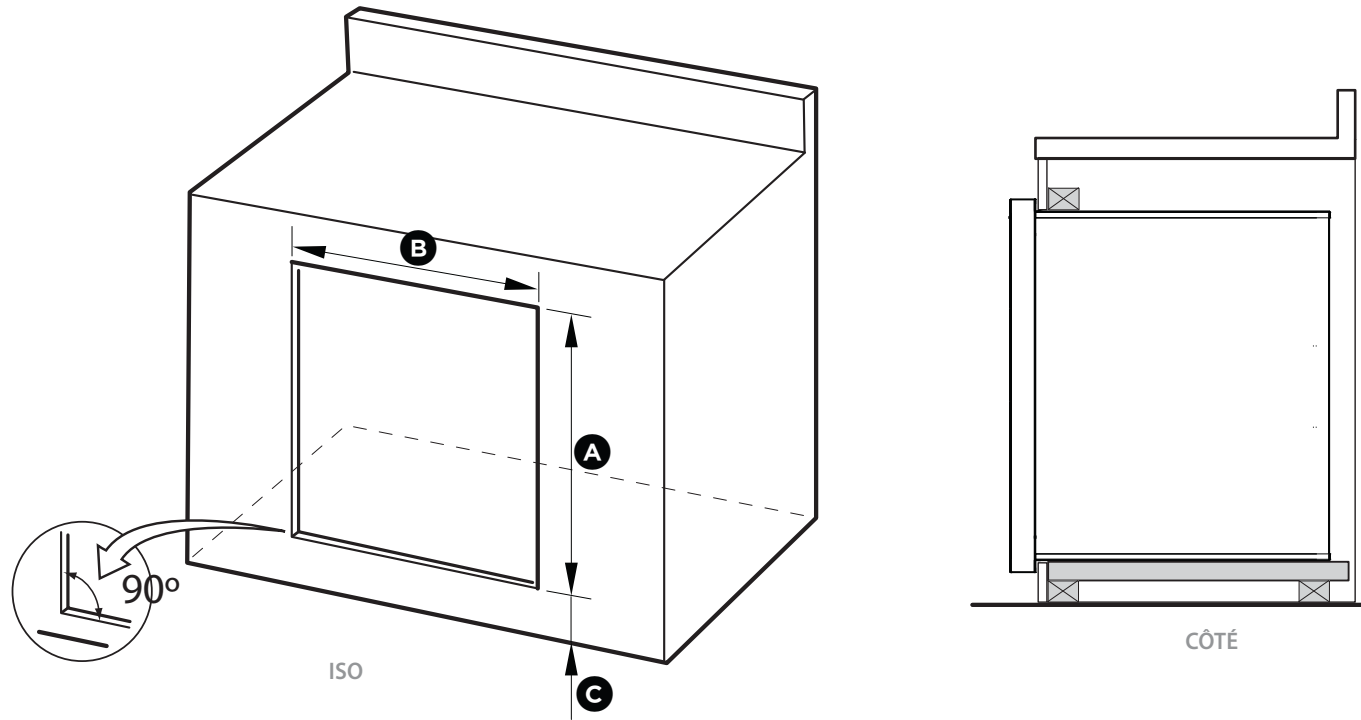


CÔTÉ

Dimensions du produit pouces (mm)

|   | TDS1-20          | TDD1-20          | TD11-20           | TB1-20            | DP1-42            |
|---|------------------|------------------|-------------------|-------------------|-------------------|
| A hauteur hors tout du produit                    | 9 5/8 po (245)   | 21 7/8 po (556)  | 29 1/8 po (740)   | 29 1/8 po (740)   | 30 1/2 po (775)   |
| B largeur hors tout du produit                    | 20 5/16 po (516) | 20 5/16 po (516) | 20 5/16 po (516)  | 20 5/16 po (516)  | 42 po (1066)      |
| C largeur du châssis                              | 18 1/2 po (469)  | 18 1/2 po (469)  | 18 1/2 po (469)   | 18 1/2 po (469)   | 40 po (1016)      |
| D profondeur du châssis                           | 23 po (585)      | 23 po (585)      | 23 po (585)       | 23 po (585)       | 23 11/16 po (601) |
| E profondeur du cadre avant (excluant la poignée) | 2 po (51)        | 2 po (51)        | 2 po (51)         | 2 po (51)         | 2 po (51)         |
| F hauteur du châssis                              | 8 5/16 po (210)  | 20 1/2 po (520)  | 27 13/16 po (705) | 27 13/16 po (705) | 29 po (736)       |

## ⑤ DIMENSIONS DU BÂTI (INSTALLATION SUPERPOSÉE) - TIROIRS, GARDE-MANGER ET CORBEILLE À DÉCHETS<sup>5</sup>

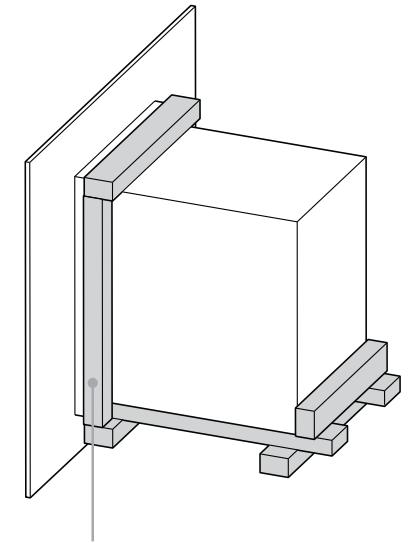
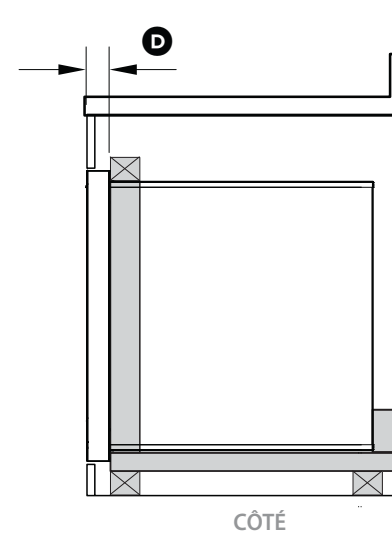
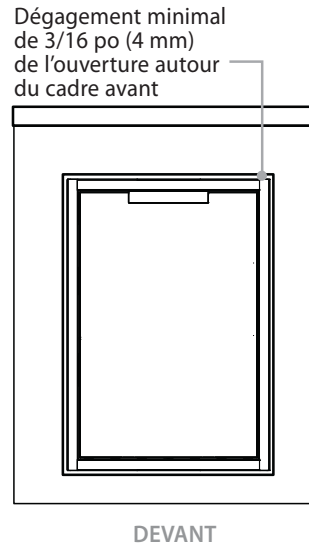
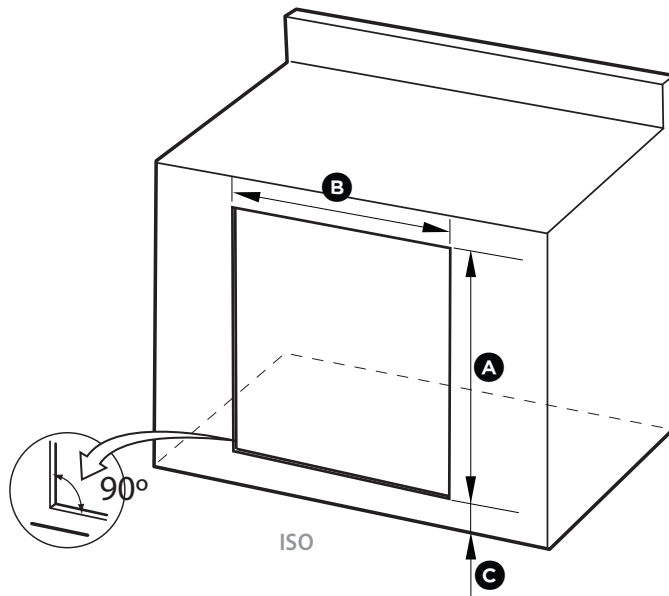


Dimensions du bâti pouces (mm)

|   | TDS1-20                                     | TDD1-20                                     | TDT1-20                                     | TB1-20                                      | DP1-42                                      |
|---|---|---|---|---|---|
| A hauteur hors tout de l'ouverture              | 8 <sup>7</sup> / <sub>16</sub> po (215)     | 20 <sup>11</sup> / <sub>16</sub> po (525)   | 28 po (710)                                 | 28 po (710)                                 | 29 <sup>3</sup> / <sub>16</sub> po (741)    |
| B largeur hors tout de l'ouverture              | 18 <sup>7</sup> / <sub>8</sub> po (480)     | 18 <sup>7</sup> / <sub>8</sub> po (480)     | 18 <sup>7</sup> / <sub>8</sub> po (480)     | 18 <sup>7</sup> / <sub>8</sub> po (480)     | 40 <sup>7</sup> / <sub>16</sub> po (1 026)  |
| C hauteur entre le sol et le bas de l'ouverture | min. 1 <sup>3</sup> / <sub>16</sub> po (30) | min. 1 <sup>3</sup> / <sub>16</sub> po (30) | min. 1 <sup>3</sup> / <sub>16</sub> po (30) | min. 1 <sup>3</sup> / <sub>16</sub> po (30) | min. 1 <sup>3</sup> / <sub>16</sub> po (30) |

# ⑤ DIMENSIONS DU BÂTI (INSTALLATION ENCASTRÉE) - TIROIRS, GARDE-MANGER ET CORBEILLE À DÉCHETS 6

Modèle TB1-20 présenté à titre indicatif



Un cadre doit être construit à 2 po (51 mm) en retrait de la face avant du produit pour permettre de pousser le produit contre le cadre avant et masquer le dégagement de l'ouverture autour de ce dernier.

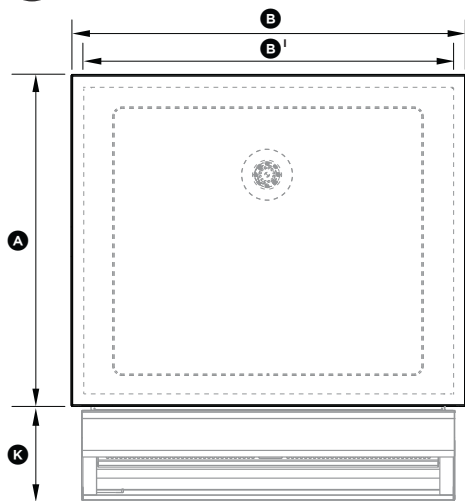
### Important!

Ne scellez pas le produit à l'aide de silicone ou d'un scellant semblable. Sinon, le produit risque d'être difficile à retirer pour l'entretien.

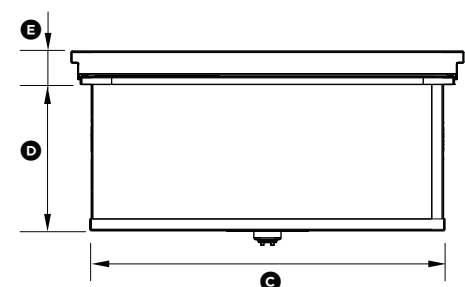
Dimensions du bâti pouces (mm)

|   | TDS1-20             | TDD1-20             | TDT1-20             | TB1-20              | DP1-42              |
|---|---------------------|---------------------|---------------------|---------------------|---------------------|
| A hauteur hors tout de l'ouverture              | 9 13/16 po (249)    | 22 1/16 po (560)    | 29 5/16 po (745)    | 29 5/16 po (745)    | 30 11/16 po (779)   |
| B largeur hors tout de l'ouverture              | 20 1/2 po (521)     | 20 1/2 po (521)     | 20 1/2 po (521)     | 20 1/2 po (521)     | 42 3/16 po (1072)   |
| C hauteur entre le sol et le bas de l'ouverture | min. 1 3/16 po (30) | min. 1 3/16 po (30) | min. 1 3/16 po (30) | min. 1 3/16 po (30) | min. 1 3/16 po (30) |
| D retrait pour installation encastrée           | 2 po (51)           | 2 po (51)           | 2 po (51)           | 2 po (51)           | 2 po (51)           |

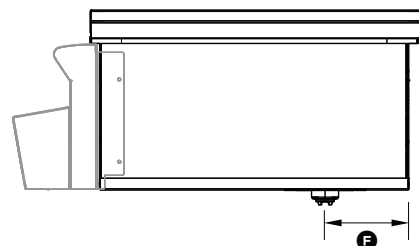
# ⑥ DIMENSIONS DU PRODUIT ET DU BÂTI - REFROIDISSEUR DE BOISSON / PORTE-BOUTEILLE



DESSUS

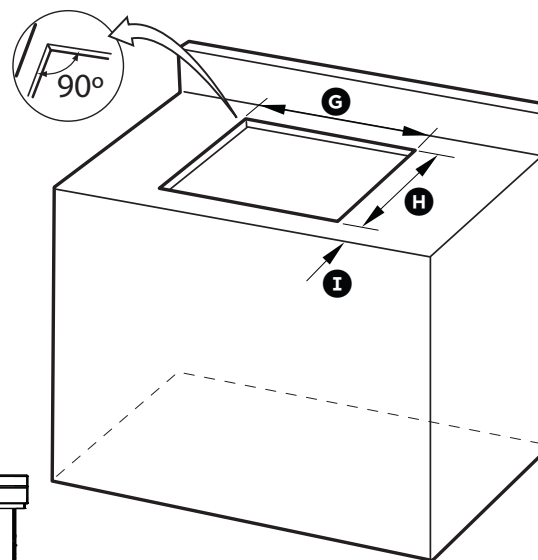


DEVANT

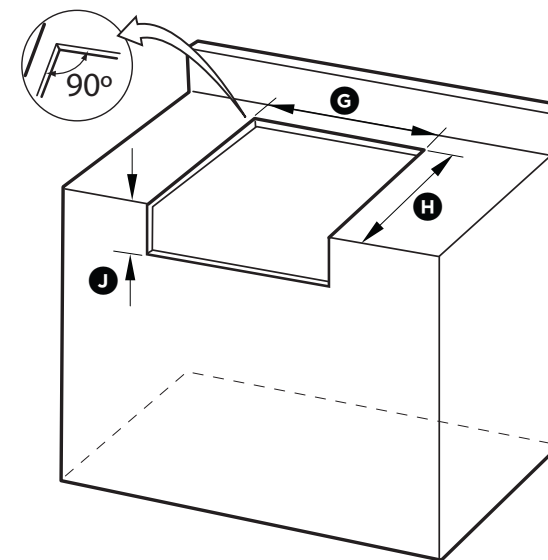


CÔTÉ

SANS PORTE-BOUTEILLE



AVEC PORTE-BOUTEILLE



Assurez-vous que le plan de travail est d'équerre et aucun des éléments structurels interférer avec les besoins en espace.

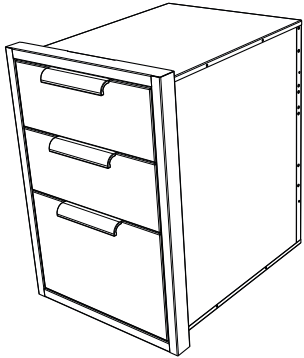
Dimensions du bâti pouces (mm)

BC25

|    |  |                   |
|----|--|-------------------|
| A  | profondeur hors tout du produit (incluant le couvercle)                  | 21 15/16 po (557) |
| B  | largeur hors tout du produit (incluant le couvercle)                     | 26 3/8 po (670)   |
| B' | largeur hors tout du produit (excluant le couvercle)                     | 25 1/16 po (636)  |
| C  | largeur du châssis   | 23 15/16 po (608) |
| D  | hauteur du châssis   | 9 13/16 po (249)  |
| E  | hauteur du cadre (incluant le couvercle)                                 | 2 1/4 po (57)     |
| F  | distance entre l'arrière du châssis et le centre de la sortie de vidange | 5 9/16 po (142)   |
| G  | largeur hors tout de l'ouverture   | 24 3/16 po (615)  |
| H  | profondeur de l'ouverture :  |                   |
|    | sans porte-bouteille   | 21 1/16 po (535)  |
|    | avec porte-bouteille   | 21 11/16 po (550) |
| I  | distance minimale entre le devant du comptoir et l'ouverture             | 5/8 po (15)       |
| J  | hauteur de l'ouverture pour le porte-bouteille                           | 9 7/8 po (250)    |
| K  | profondeur du porte-bouteille au point le plus large à l'avant du cadre  | 6 5/8 po (168)    |

## 7a) METTEZ L'EMBALLAGE AU REBUT

Le modèle peut être différent des illustrations présentées



Inspectez le(s) produit(s) pour vous assurer qu'aucun dommage n'a été causé lors de l'expédition. En cas de dommage, communiquez avec l'expéditeur pour faire une demande d'indemnisation. DCS par Fisher & Paykel n'est pas responsable des dommages causés lors de l'expédition.

REMARQUE : Ne mettez pas au rebut les matériaux d'emballage avant d'avoir terminé l'inspection de l'appareil.

Utilisez les tiroirs afin de vous assurer qu'ils glissent en douceur.

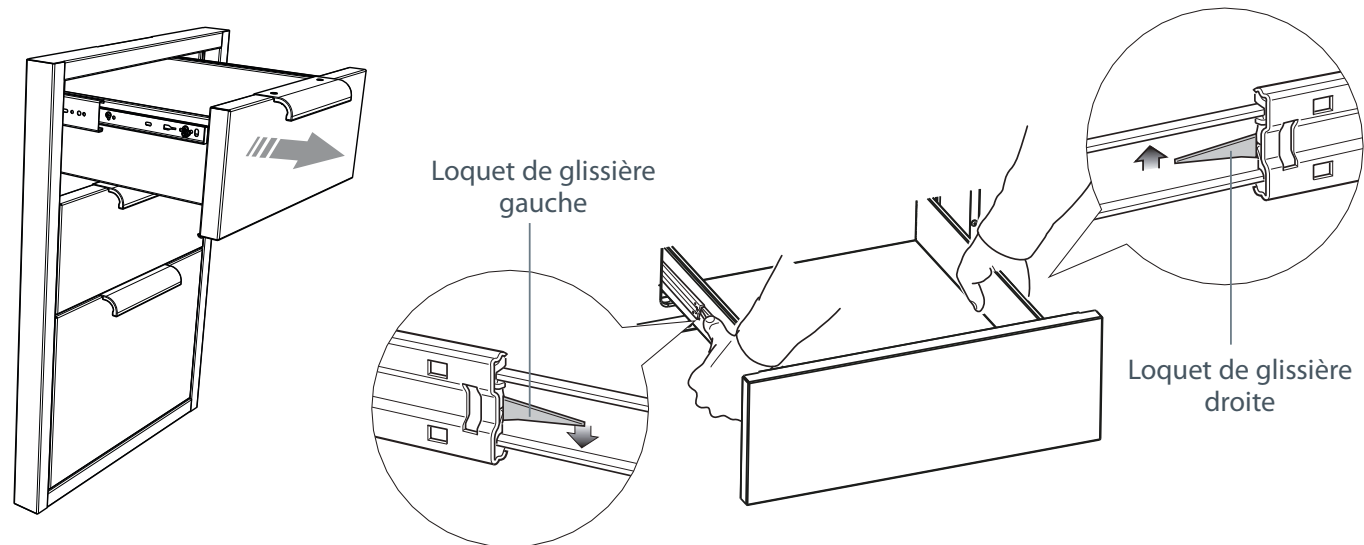
Examinez les pièces à l'avant afin de vous assurer qu'elles ne présentent aucune bosselure, égratignure ou décoloration.

## 8a) RETIREZ TOUS LES TIROIRS POUR ACCÉDER AUX EMPLACEMENTS DES OUVERTURES DE VIS

Pour retirer le(s) tiroir(s)

- 1 Retirez les tiroirs en les tirant vers l'extérieur jusqu'à ce que le loquet de glissière soit visible.
- 2 Enfoncez doucement le loquet sur le côté gauche, tout en soulevant le loquet sur le côté droit.
- 3 Sortez le tiroir du cadre.

Remarque : pour éviter d'endommager les surfaces, placez les tiroirs sur une surface stable recouverte d'une serviette ou d'une nappe protectrice.

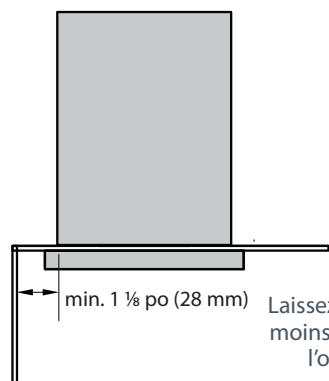


## 9a) PRÉPAREZ LA CAVITÉ

- Assurez-vous que la cavité est de niveau, à angle droit et capable de supporter le poids du produit rempli à pleine capacité.
- Toutes les préparations relatives au bâti et/ou au sol doivent être effectuées avant l'installation.
- Toutes les structures de soutien doivent être construites à l'aide de matériaux résistant à l'humidité.
- N'utilisez pas de produits abrasifs (acide, solvant, scellant) autour de ce produit.

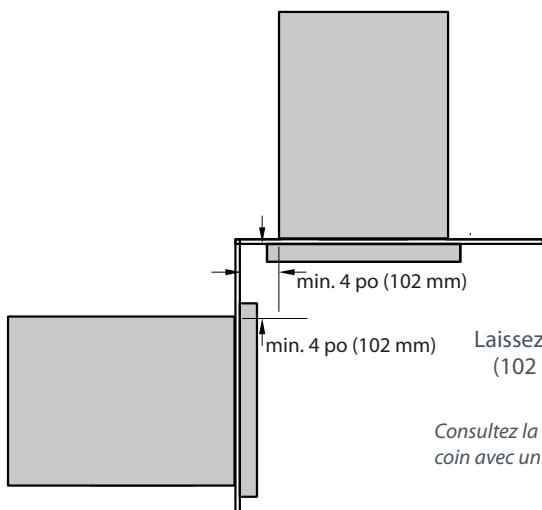
- 1 Selon le type de construction, placez une tablette ou au moins deux supports résistant à l'humidité (min. 2 po (51 mm) de large) dans l'ouverture. Assurez-vous que tous les panneaux de soutien sont plats et de niveau.

### INSTALLATION DANS UN COIN



Laissez un dégagement d'au moins 1 1/8 po (28 mm) entre l'ouverture et le coin

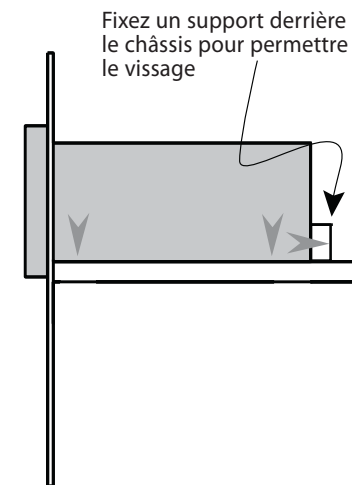
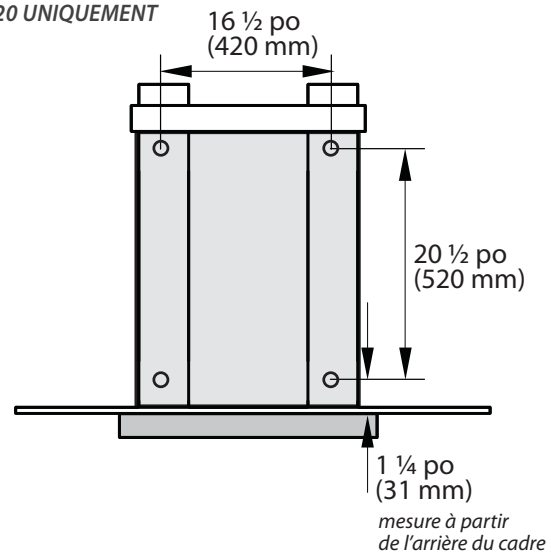
### INSTALLATION DANS UN COIN AVEC DEUX PRODUITS



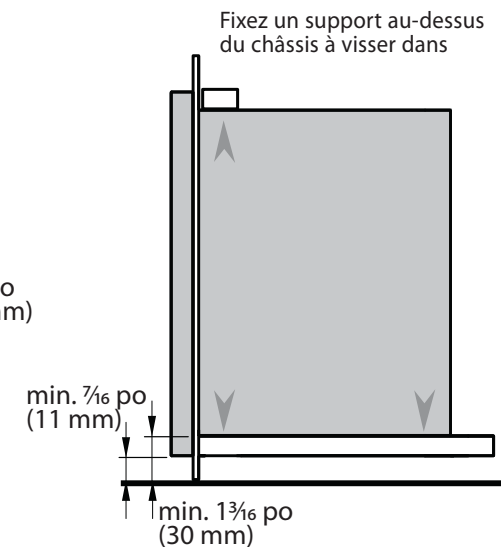
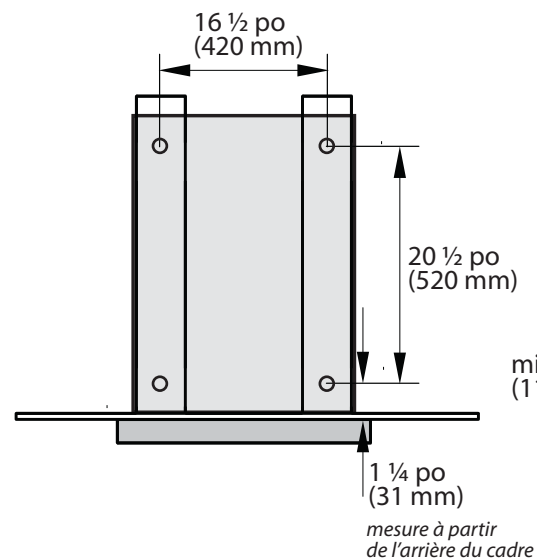
Laissez un dégagement d'au moins 4 po (102 mm) entre l'ouverture et le coin

Consultez la section d'installation du garde-manger pour les installations dans un coin avec un garde-manger ou un refroidisseur à boisson avec porte-bouteille.

### TDS1-20 UNIQUEMENT



### TDD1-20, TDT1-20 et TB1-20



## 10a INSÉREZ LE PRODUIT DANS LA CAVITÉ ET FIXEZ-LE

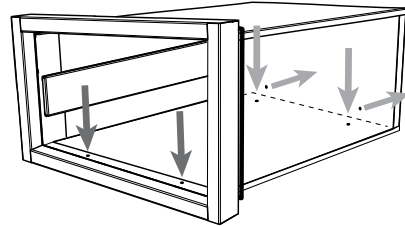
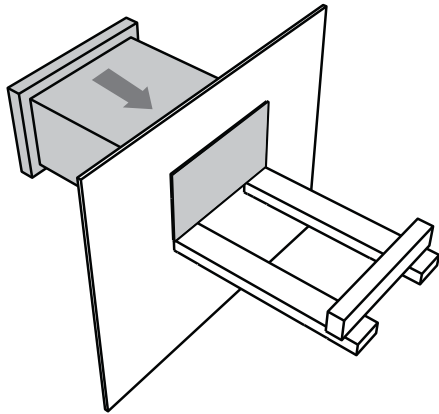
- 1 Avec l'aide d'une personne, soulevez l'appareil et faites-le glisser le long des supports dans l'ouverture du bâti. Ajustez l'appareil de manière à l'installer de niveau, avec un positionnement adéquat.
- 2 Localisez les ouvertures de montage (à l'avant et l'arrière de la base, de chaque côté).

### TDS1-20 à un seul tiroir uniquement :

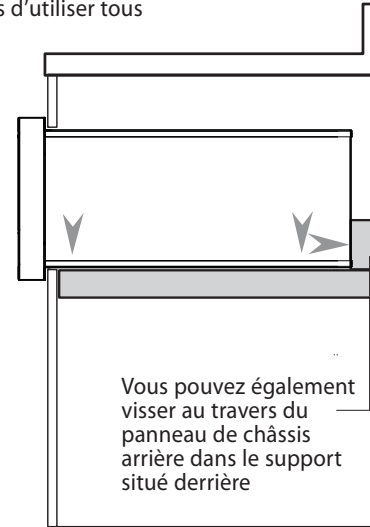
Si vous ne parvenez pas à accéder aux ouvertures de vis à l'arrière de la base, vous pouvez visser au travers du panneau de châssis arrière dans le support situé derrière l'appareil.

- 3 Fixez l'appareil à l'aide de vis adéquates pour le type de matériaux utilisés pour le bâti. Nous vous recommandons d'utiliser tous les emplacements d'ouvertures de vis illustrés pour fixer l'appareil.

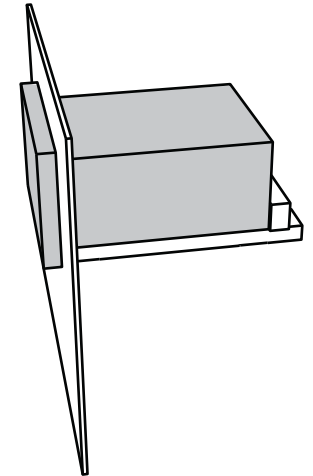
### TDS1-20 UNIQUEMENT



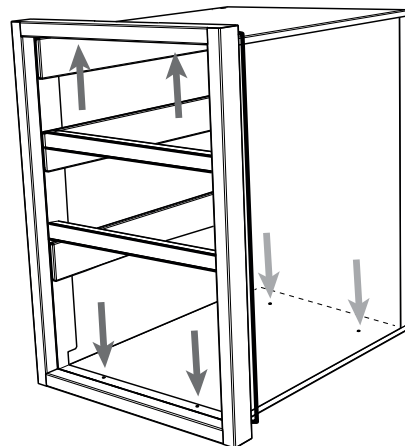
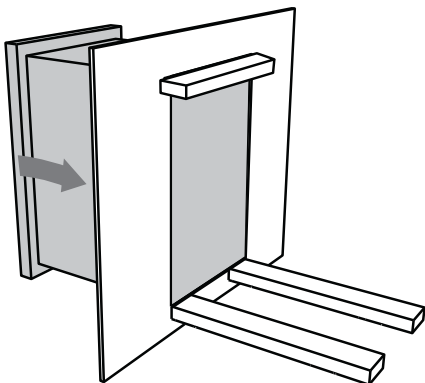
Consultez l'Étape 9a pour localiser les emplacements des ouvertures de vis de montage



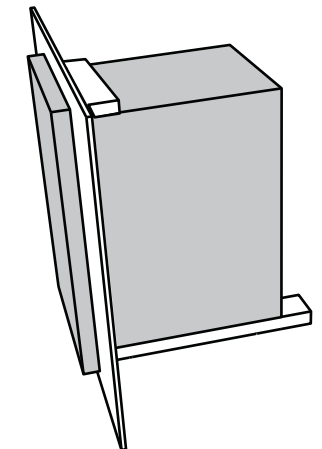
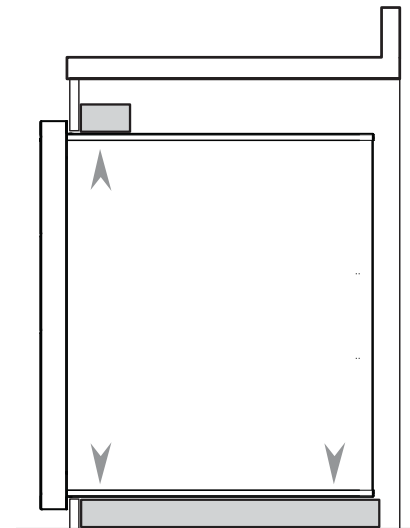
Vous pouvez également visser au travers du panneau de châssis arrière dans le support situé derrière



### TDD1-20, TDT1-20 et TB1-20



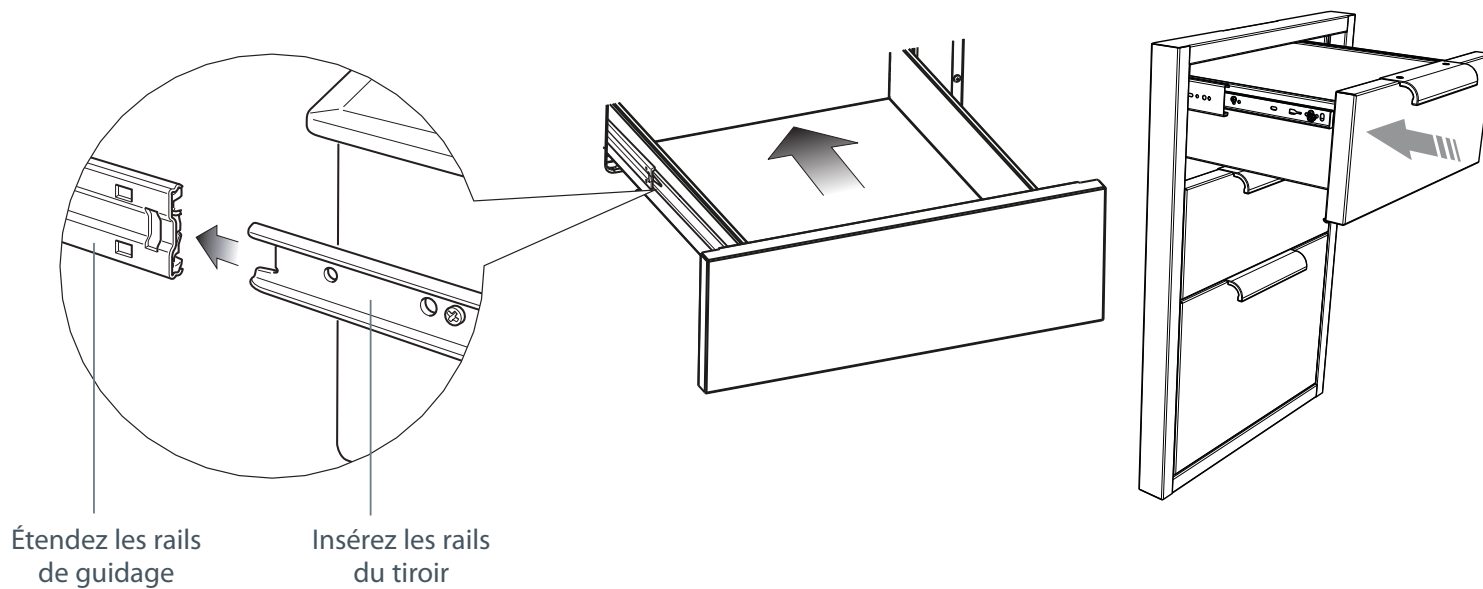
Consultez l'Étape 9a pour localiser les emplacements des ouvertures de vis de montage



## 110 RÉINSÉREZ LES TIROIRS

### Pour réinsérer le(s) tiroir(s)

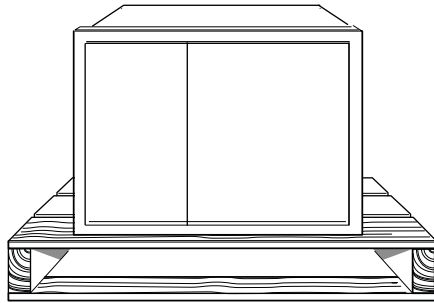
- 1 Étendez les deux rails de guidage vers l'extérieur.
- 2 Insérez les rails du tiroir dans les rails de guidage. Tirez les rails de guidage vers l'avant jusqu'à ce qu'ils s'enclenchent.
- 3 Poussez le tiroir entièrement vers l'intérieur (il y aura une certaine résistance) pour l'insérer complètement.





## 7b) METTEZ L'EMBALLAGE AU REBUT

Le modèle peut être différent des illustrations présentées



Inspectez le(s) produit(s) pour vous assurer qu'aucun dommage n'a été causé lors de l'expédition. En cas de dommage, communiquez avec l'expéditeur pour faire une demande d'indemnisation. DCS par Fisher & Paykel n'est pas responsable des dommages causés lors de l'expédition.

REMARQUE : Ne mettez pas au rebut les matériaux d'emballage avant d'avoir terminé l'inspection de l'appareil.

Utilisez les tiroirs et les tablettes afin de vous assurer qu'ils glissent en douceur. Examinez les pièces à l'avant afin de vous assurer qu'elles ne présentent aucune bosselure, égratignure ou décoloration.

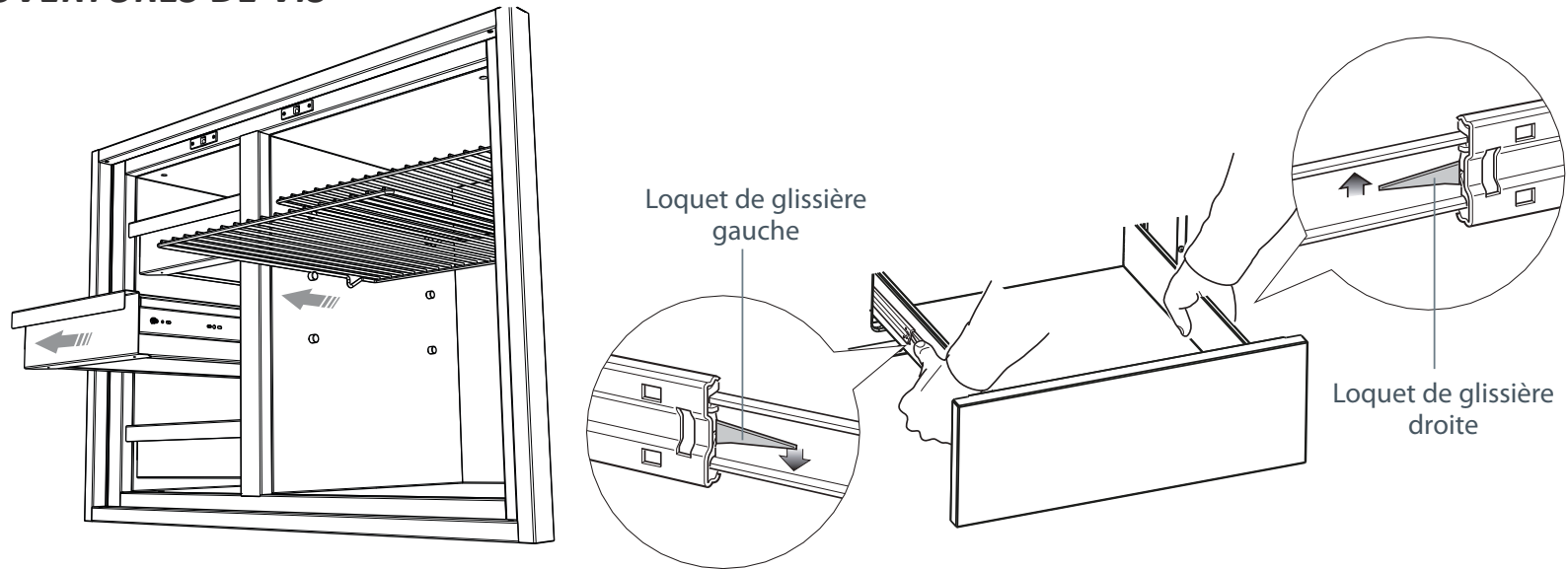
Faites preuve de prudence lors de l'ouverture complète des portes de garde-manger. Le cadre extérieur pourrait marquer le devant des portes.

## 8b) RETIREZ TOUS LES TIROIRS ET TOUTES LES TABLETTES POUR ACCÉDER AUX EMPLACEMENTS DES OUVERTURES DE VIS

Pour retirer le(s) tiroir(s)

- 1 Retirez les tiroirs en les tirant vers l'extérieur jusqu'à ce que le loquet de glissière soit visible.
- 2 Enfoncez doucement le loquet sur le côté gauche, tout en soulevant le loquet sur le côté droit.
- 3 Sortez le tiroir du cadre.

Remarque : pour éviter d'endommager les surfaces, placez les tiroirs sur une surface stable recouverte d'une serviette ou d'une nappe protectrice.

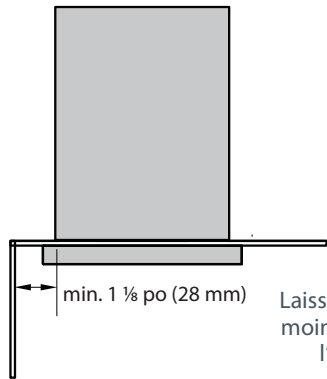


## 9b) PRÉPAREZ LA CAVITÉ

- Assurez-vous que la cavité est de niveau, à angle droit et capable de supporter le poids du produit rempli à pleine capacité.
- Toutes les préparations relatives au bâti et/ou au sol doivent être effectuées avant l'installation.
- Toutes les structures de soutien doivent être construites à l'aide de matériaux résistant à l'humidité.
- N'utilisez pas de produits abrasifs (acide, solvant, scellant) autour de ce produit.

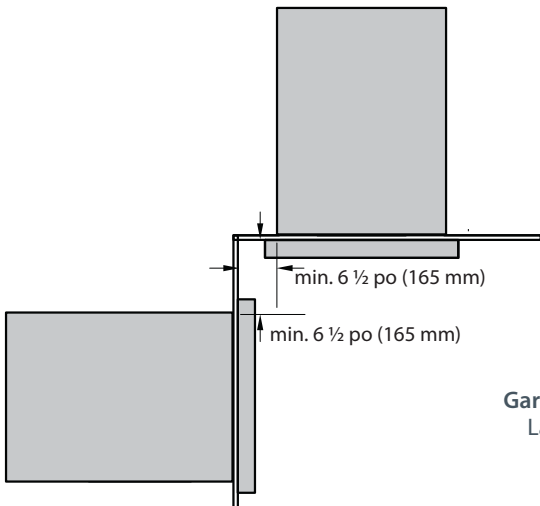
- 1 Selon le type de construction, placez une tablette ou au moins deux supports résistant à l'humidité (min. 2 po (51 mm) de large) dans l'ouverture, en portant une attention particulière à la « dénivellation » sur la base du châssis. Assurez-vous que tous les panneaux de soutien sont plats et de niveau.
- 2 Fixez un support semblable au-dessus du châssis pour permettre le vissage, tel qu'illustré.

### INSTALLATIONS DANS UN COIN



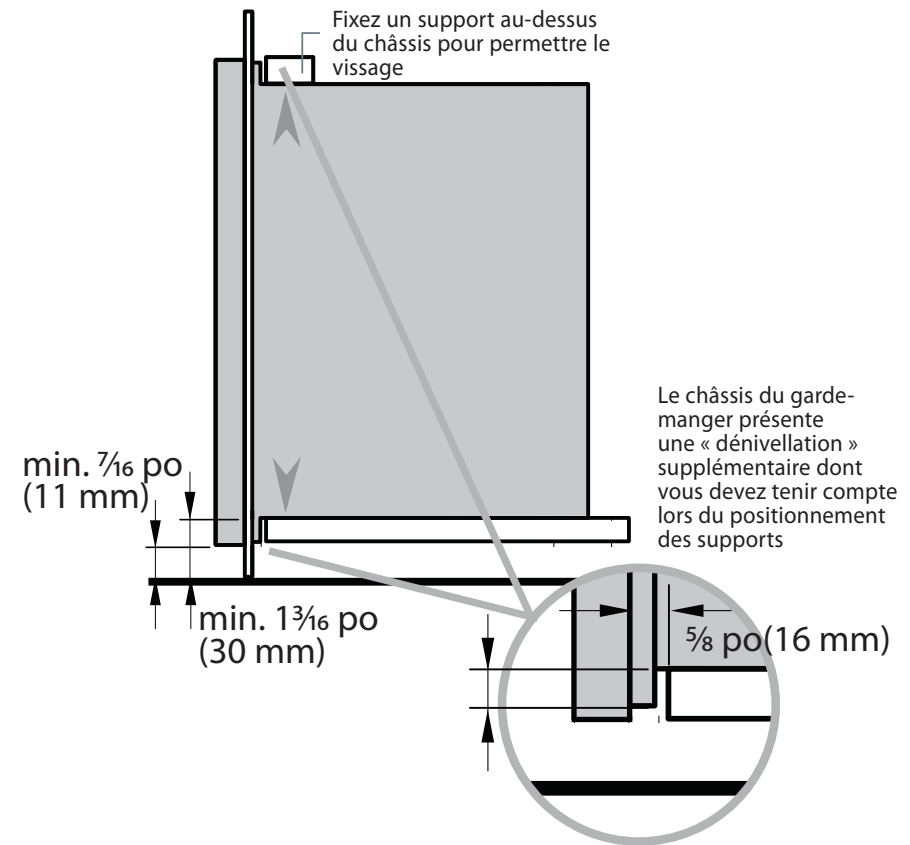
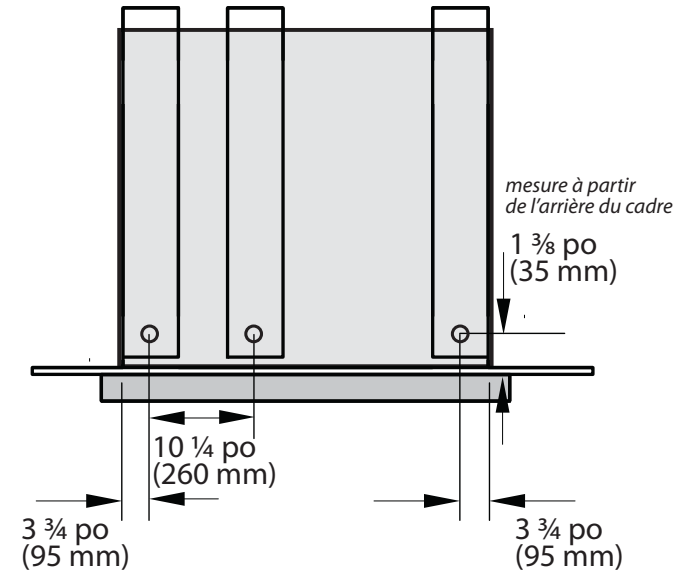
Laissez un dégagement d'au moins 1 1/8 po (28 mm) entre l'ouverture et le coin

### INSTALLATIONS DANS UN COIN AVEC DEUX PRODUITS (INCLUANT LE GARDE-MANGER)



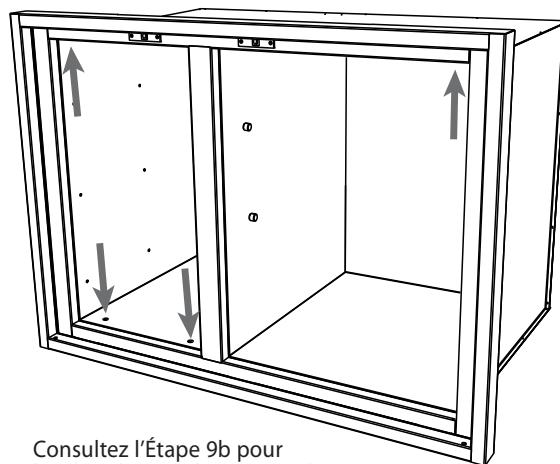
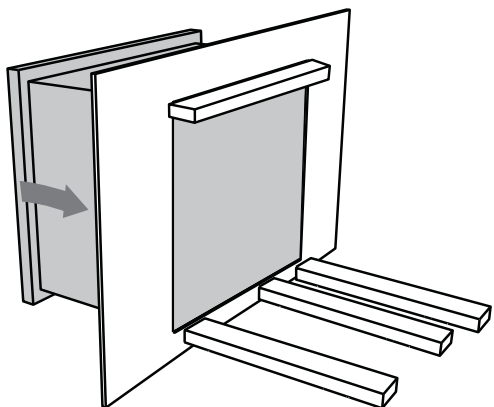
**Garde-manger et tiroir / corbeille à déchets**  
Laissez un dégagement d'au moins 6 1/2 po (165 mm) entre l'ouverture et le coin pour chaque produit.

**Garde-manger et refroidisseur de boisson avec porte-bouteille**  
Laissez un dégagement d'au moins 9 1/2 po (241 mm) entre l'ouverture et le coin pour chaque produit

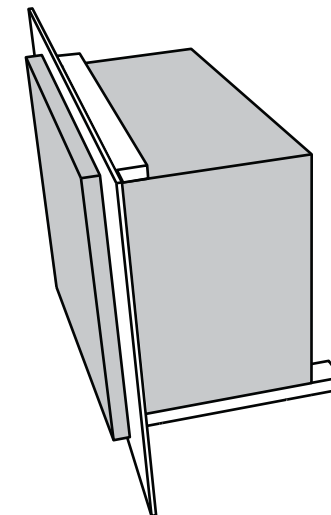
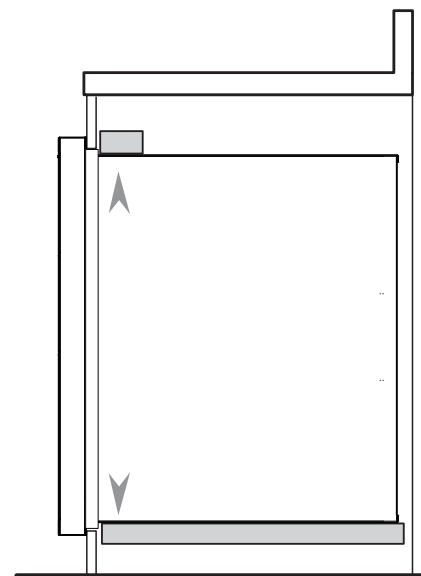


## 10b) INSÉREZ LE PRODUIT DANS LA CAVITÉ ET FIXEZ-LE

- 1 Avec l'aide d'une personne, soulevez l'appareil et faites-le glisser le long des supports dans l'ouverture du bâti. Ajustez l'appareil de manière à l'installer de niveau, avec un positionnement adéquat.
- 2 Localisez les ouvertures de montage (côtés supérieurs gauche et droit à l'avant et base avant du compartiment de tiroir).
- 3 Fixez l'appareil à l'aide de vis adéquates pour le type de matériaux utilisés pour le bâti.  
Nous vous recommandons d'utiliser tous les emplacements d'ouvertures de vis illustrés pour fixer l'appareil.



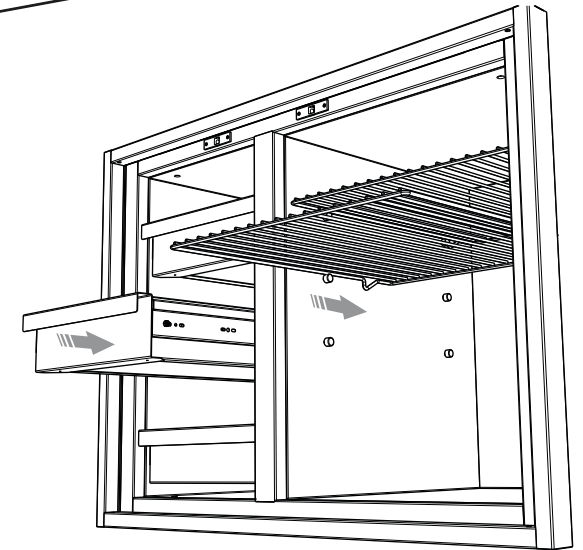
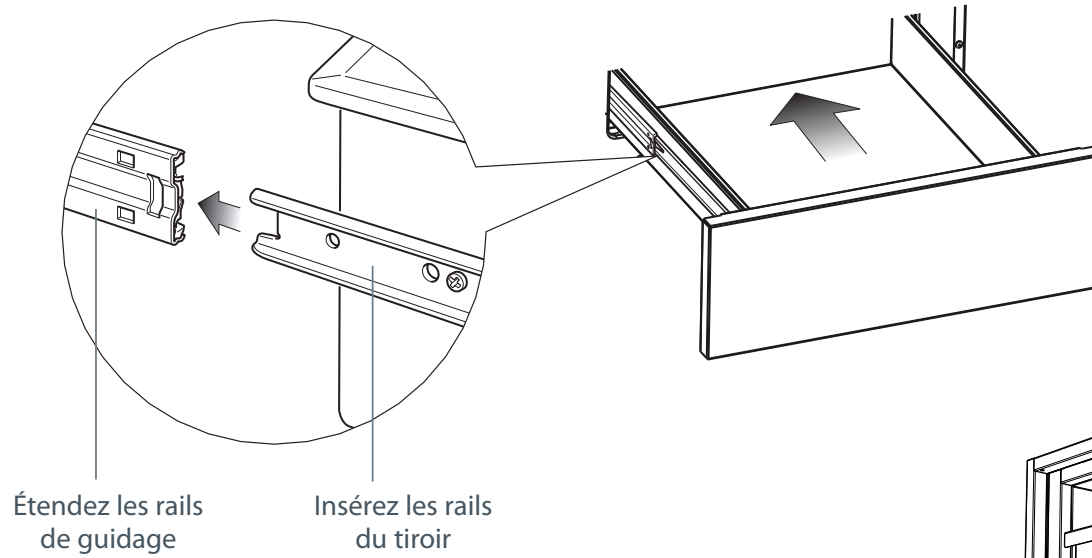
Consultez l'Étape 9b pour localiser les emplacements des ouvertures de vis de montage



## 116 RÉINSÉREZ TOUS LES TIROIRS ET TOUTES LES TABLETTES

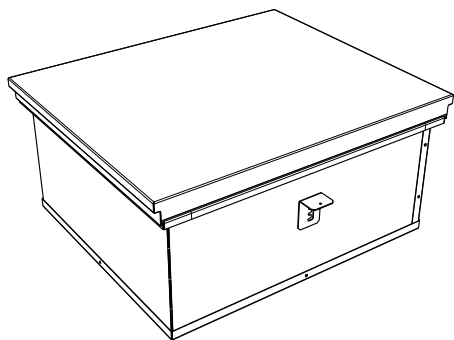
### Pour réinsérer le(s) tiroir(s)

- 1 Étendez les deux rails de guidage vers l'extérieur.
- 2 Insérez les rails du tiroir dans les rails de guidage. Tirez les rails de guidage vers l'avant jusqu'à ce qu'ils s'enclenchent.
- 3 Poussez le tiroir entièrement vers l'intérieur (il y aura une certaine résistance) pour l'insérer complètement.



## 7c METTEZ L'EMBALLAGE AU REBUT

Le modèle peut être différent des illustrations présentées



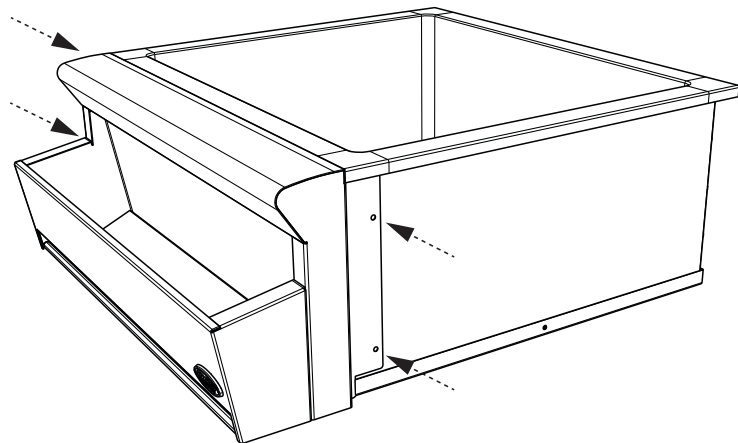
Recyclez de façon responsable

Inspectez le(s) produit(s) pour vous assurer qu'aucun dommage n'a été causé lors de l'expédition. En cas de dommage, communiquez avec l'expéditeur pour faire une demande d'indemnisation. DCS par Fisher & Paykel n'est pas responsable des dommages causés lors de l'expédition.

REMARQUE : Ne mettez pas au rebut les matériaux d'emballage avant d'avoir terminé l'inspection de l'appareil.

Examinez le produit afin de vous assurer qu'il ne présente aucune bosselure, égratignure ou décoloration.

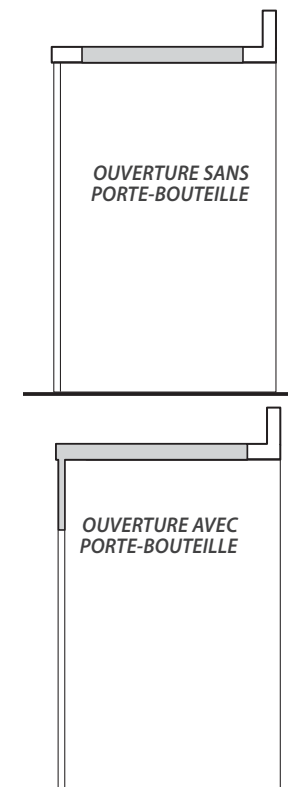
## 9c FIXATION OPTIONNELLE DU PORTE-BOUTEILLE (VENDU SÉPARÉMENT) AU REFROIDISSEUR DE BOISSON



- 1 Monter le porte-bouteille sur le devant de la refroidisseur de boissons.
- 2 Visser le support de bouteille sur le refroidisseur de boissons avec les vis fournies.
- 3 Déballer le bac d'égouttage et de s'adapter à la partie inférieure du support de bouteille.

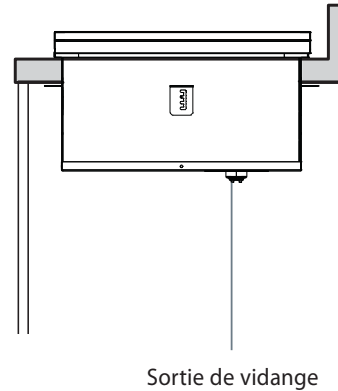
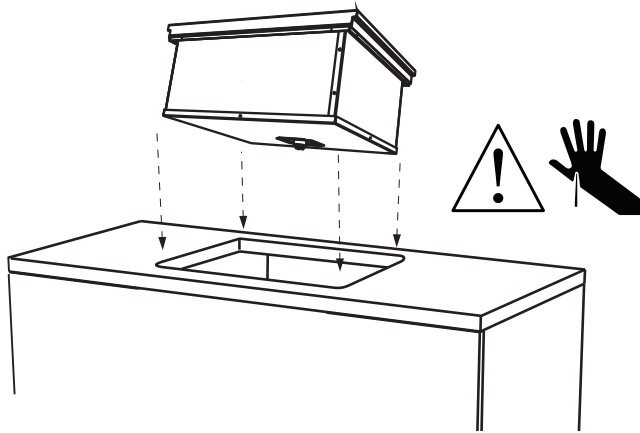
## 8c PRÉPAREZ LA CAVITÉ

- Assurez-vous que la base de la cavité est de niveau, à angle droit et capable de supporter le poids du produit rempli à pleine capacité.
- Toutes les préparations relatives au bâti et/ou au sol doivent être effectuées avant l'installation.
- Toutes les structures de soutien doivent être construites à l'aide de matériaux résistant à l'humidité.
- N'utilisez pas de produits abrasifs (acide, solvant, scellant) autour de ce produit.
- Pour l'installation avec le porte-bouteille (vendu séparément), l'ouverture doit se prolonger à l'avant du bâti afin de laisser de l'espace pour le porte-bouteille (tel qu'illustré).

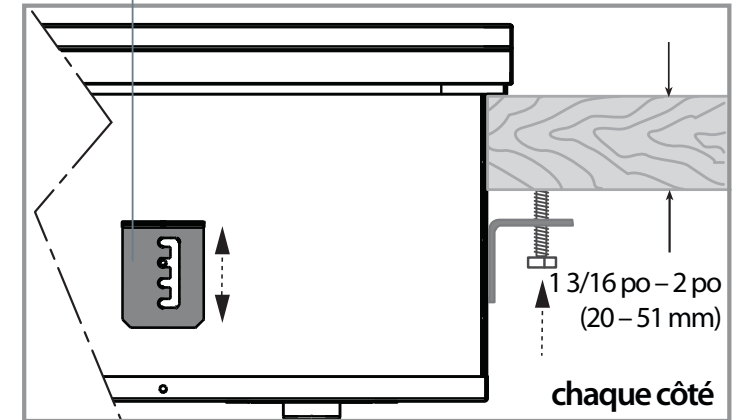


## 10c ABAISSEZ LE PRODUIT DANS L'OUVERTURE ET INSTALLEZ LES SUPPORTS DE MONTAGE POUR LE FIXER

- 1 Avec l'aide d'une personne, abaissez le refroidisseur dans l'ouverture, en vous assurant que la sortie de vidange soit accessible.
- 2 Localisez les ouvertures de montage de chaque côté du refroidisseur de boisson, puis vissez les brides de fixation au niveau approprié pour le comptoir.
- 3 Fixez le refroidisseur de boisson en serrant les vis de serrage contre le comptoir, sur les deux côtés.



Chaque bride de fixation peut être utilisée dans 4 positions. Vissez les brides dans la position qui convient le mieux à l'aide des vis fournies.



## 11c EFFECTUEZ LE RACCORDEMENT AU SYSTÈME D'ÉVACUATION

Le refroidisseur de boisson doit être raccordé au système d'évacuation permanent.

### **Important!**

*Le raccordement au système d'évacuation existant doit être effectué par un plombier certifié, en respectant les codes et règlements locaux.*

### Drain Connection

#### États-Unis et au Canada

Le raccord de vidange est pourvu de filetage NPS mâle de 1 1/2 po.

#### Australie et Nouvelle-Zélande

A 1-1 / 2 "BSP mâle raccord fileté est nécessaire.

Fixez le fourni une 1/2" mâle NPS à 1 1/2 "adaptateur de filetage BSP.



### À ÊTRE REMPLIE PAR L'INSTALLATEUR

- Les produits sont-ils de niveau et solidement fixés dans le bâti?
- Sont tous les tiroirs, portes et étagères équipés correctement et ouvrir et fermer en douceur?
- Avez-vous expliqué le fonctionnement de base au client?
- Les mous tiroirs se ferment travail correctement?  
(Note: les portes de garde-manger et les tiroirs ne sont pas une fermeture en douceur).
- Refroidisseur de boisson BC25 uniquement :**
- Avez-vous installé les supports de retenue?
- Est-ce que tous les raccordements de plomberie adéquats ont été vérifiés?

Nom de l'installateur : .....

Signature de l'installateur : .....

Entreprise d'installation : .....

Date de l'installation : .....

### LAISSEZ CES INSTRUCTIONS AU CLIENT

#### **Important!** **CONSERVEZ CES INSTRUCTIONS**

*Les modèles illustrés dans ce document peuvent ne pas être offerts par tous les détaillants et sont sujets à modifications sans préavis. Pour les plus récentes informations sur la disponibilité des modèles et des caractéristiques dans votre pays, veuillez visiter notre site Web à l'adresse indiquée à la fin de ce document, ou contacter votre détaillant Fisher & Paykel local.*

