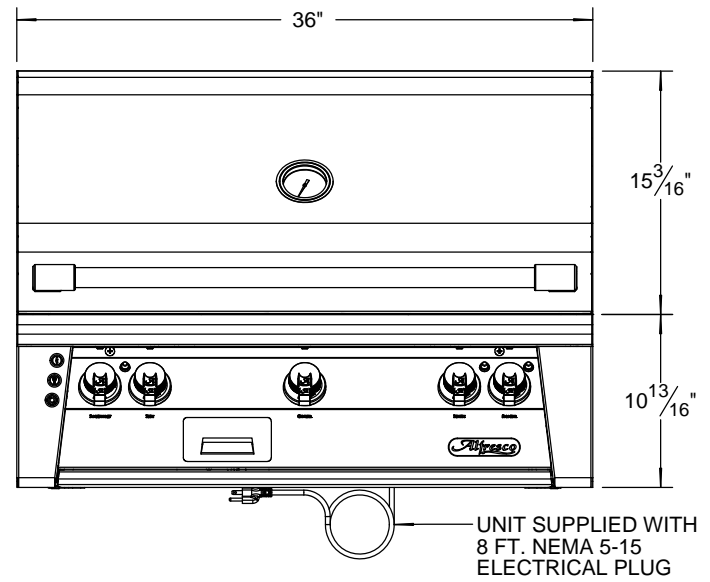
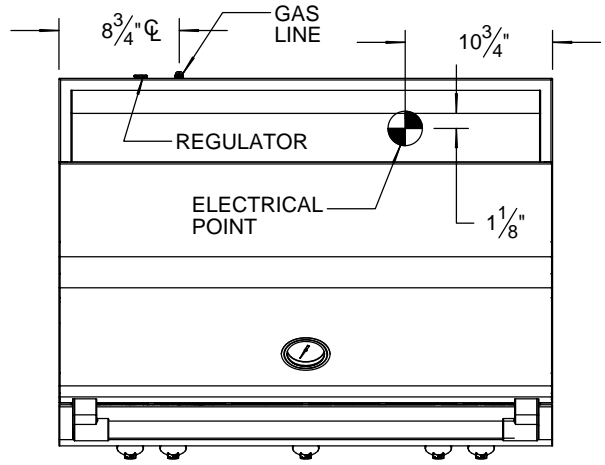
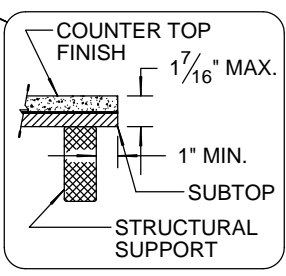
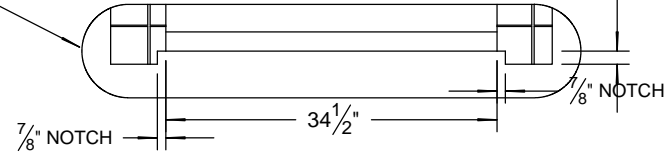
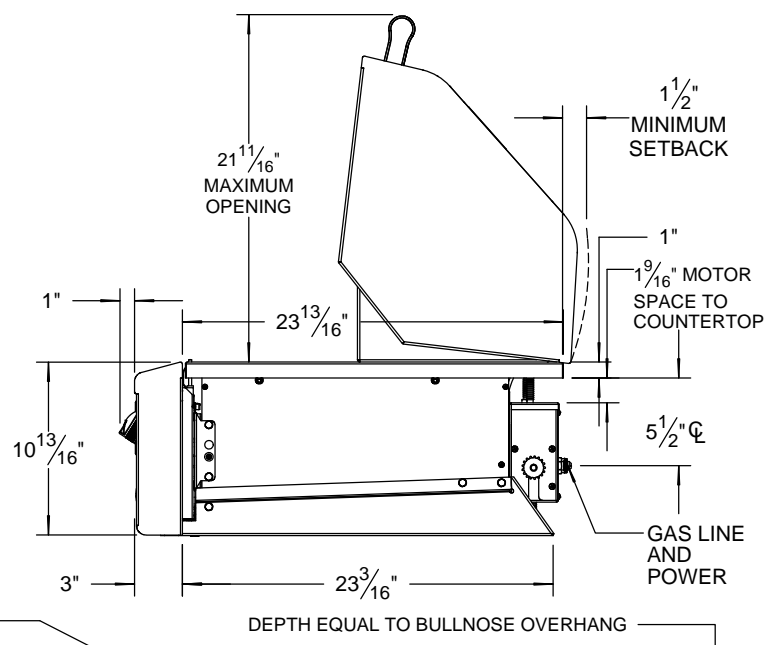
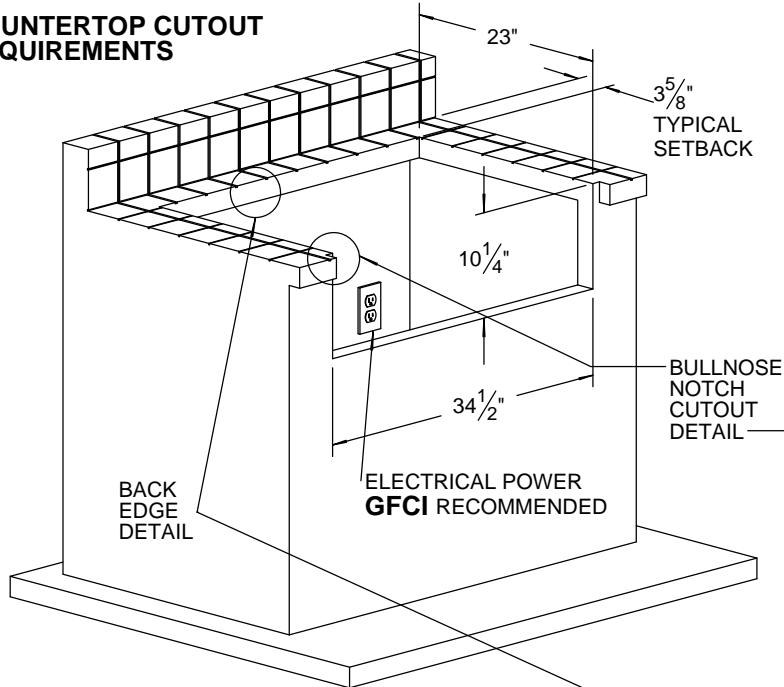


TYPICAL ALXE-36 / 36 SZ INSTALLATION



COUNTERTOP CUTOUT REQUIREMENTS



- NOTE:**
- CUTOUT SHOWN FOR NON - COMBUSTIBLE CONSTRUCTION ONLY. OTHERWISE USE OF AIJ-36 INSULATING JACKET IS REQUIRED.
  - COUNTER MUST HAVE PROPER GAS AND POWER SUPPLIES FOR YOUR ALFRESCO BBQ.

**SPECIFICATIONS:**

BTUH = 108,000  
 FUEL = NG @ 5" W.C. OR LP @ 10" W.C.  
 ELECTRICAL POWER = 115 VAC / 1.44 AMPS / 60 Hz.  
 GAS CONNECTION - 1/2" NPT (NG) OR 3/8" ODF (LP)