

REPAIR PARTS

GSX14 Remote Condensor

GSX140181AA

GSX140241AA

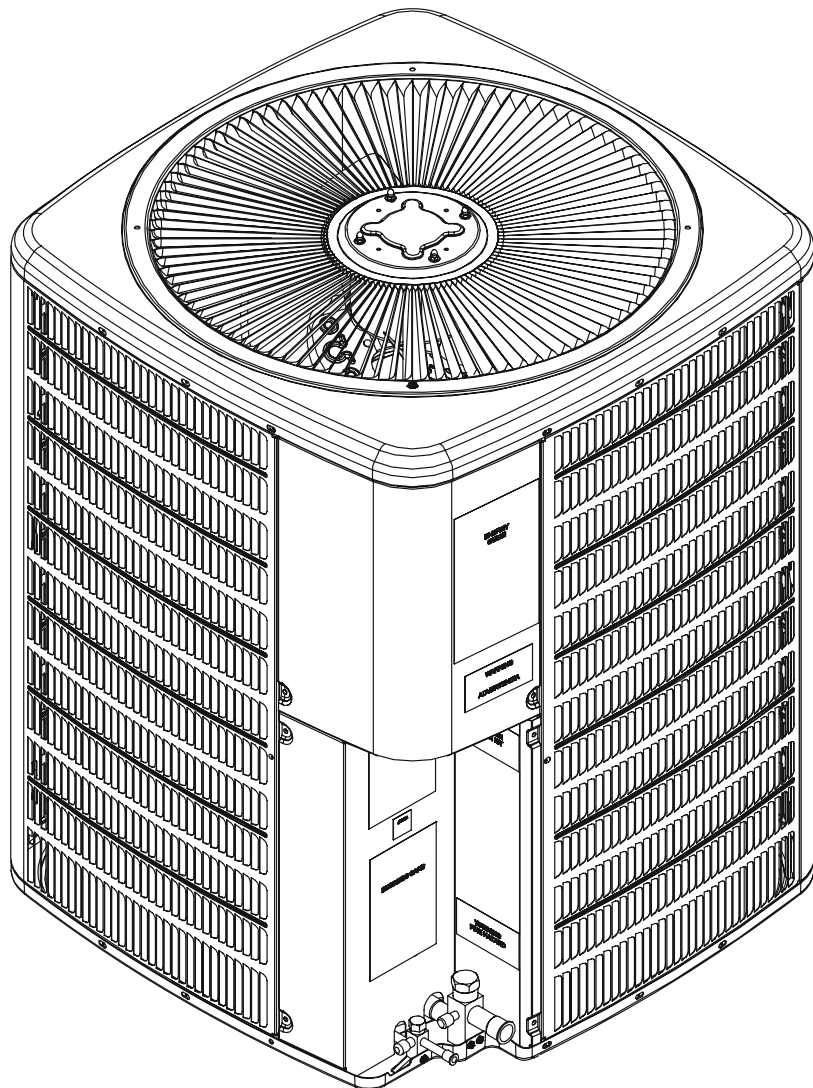
GSX140301AA

GSX140361AA

GSX140421AA

GSX140481AA

GSX140601AA



This manual is to be used by qualified technicians only.

© 2009 Goodman Manufacturing Company, L.P. ♦ 5151 San Felipe, Suite 500 ♦ Houston, TX 77056

Important Information

Index

Functional Parts List	3
Illustration and Parts	4 - 9

Views shown are for parts illustrations only, not servicing procedures.

This system uses R410A refrigerant. If sealed system work is required, use approved equipment and follow service procedures. Refer to Service Manual or Installation Instructions for service procedures.

Text Codes:

AR - As Required

NA - Not Available

NS - Not Shown

00000000 - See Note

QTY - Quantity Example (QTY 3) (If Quantity not shown, Quantity = 1)

M - Model Example (M1) (If M Code not shown, then part is used on all Models)

Expanded Model Nomenclature:

Example M1 - Model#1 M2 - Model#2 M3 - Model#3

Goodman Manufacturing Company, L.P. is not responsible for personal injury or property damage resulting from improper service. Review all service information before beginning repairs.

Warranty service must be performed by an authorized technician, using authorized factory parts. If service is required after the warranty expires, Goodman Manufacturing Company, L.P. also recommends contacting an authorized technician and using authorized factory parts.

Goodman Manufacturing Company, L.P. reserves the right to discontinue, or change at any time, specifications or designs without notice or without incurring obligations.

For assistance within the U.S.A. contact:
Consumer Affairs Department
Goodman Manufacturing Company, L.P.
7401 Security Way
Houston, Texas 77040
877-254-4729-Telephone
713-863-2382-Facsimile

For assistance outside the U.S.A. contact:
International Division
Goodman Manufacturing Company, L.P.
7401 Security Way
Houston, Texas 77040
713-861-2500-Telephone
713-863-2382-Facsimile

Functional Parts

Part

No: Description:

0131M00266	1/8 HP 8 PL PSC MOTOR (M1)
CAP050700440RTS	CAP, 5/70 MFD/440V/DUAL RD (M7)
CAP050300440RSS	CAPACITOR 5/30/370V (M1)
CAP050350440RSS	CAPACITOR 5/35/440V (M2)
CAP050450440RTS	CAPACITOR 5/45/440V (M4, M5, M6)
ZP16K5EPFV830	COMPRESSOR 15500, 208/230/60/1 (M1)
ZP20K5EPFV830	COMPRESSOR 20000, 208/230/60/1 (M2)
ZP24K5EPFV830	COMPRESSOR 24000, 208/230/60/1 (M3)
ZP29K5EPFV830	COMPRESSOR 29000, 208/230/60/1 (M4)
ZP31K5EPFV830	COMPRESSOR 31100, 208/230/60/1 (M5)
ZP39K5EPFV830	COMPRESSOR 39000, 208/230/60/1 (M6)
ZP51K5EPFV830	COMPRESSOR 51000, 208/230/60/1 (M7)
0131M00019PS	COND MOTOR 1/12 HP, 1 SP, 8 PL (M2)
0131M00016PS	COND MOTOR 1/6 HP, 1 SP, 8 PL (M3, M4, M5)
CONT2P025024VS	CONTACTOR 25 AMP, 2P, 24V (M1, M2, M3, M4, M5)
CONT2P030024VS	CONTACTOR 30 AMP, 2P, 24V (M6, M7)
0150M00018S	FAN BLADE 20" (M2)
0150M00012S	FAN BLADE 20" CCW (M1)
0150M00008S	FAN BLADE 22" TNT2203-25 (M3, M5)
10625738S	FAN BLADE 26" ALUM CCW (M6, M7)
0131M00061S	MOTOR, 1/4HP, 1SP, 8PL (M6, M7)
0130M00089	SW-CUTOUT HI PRESS (M7)

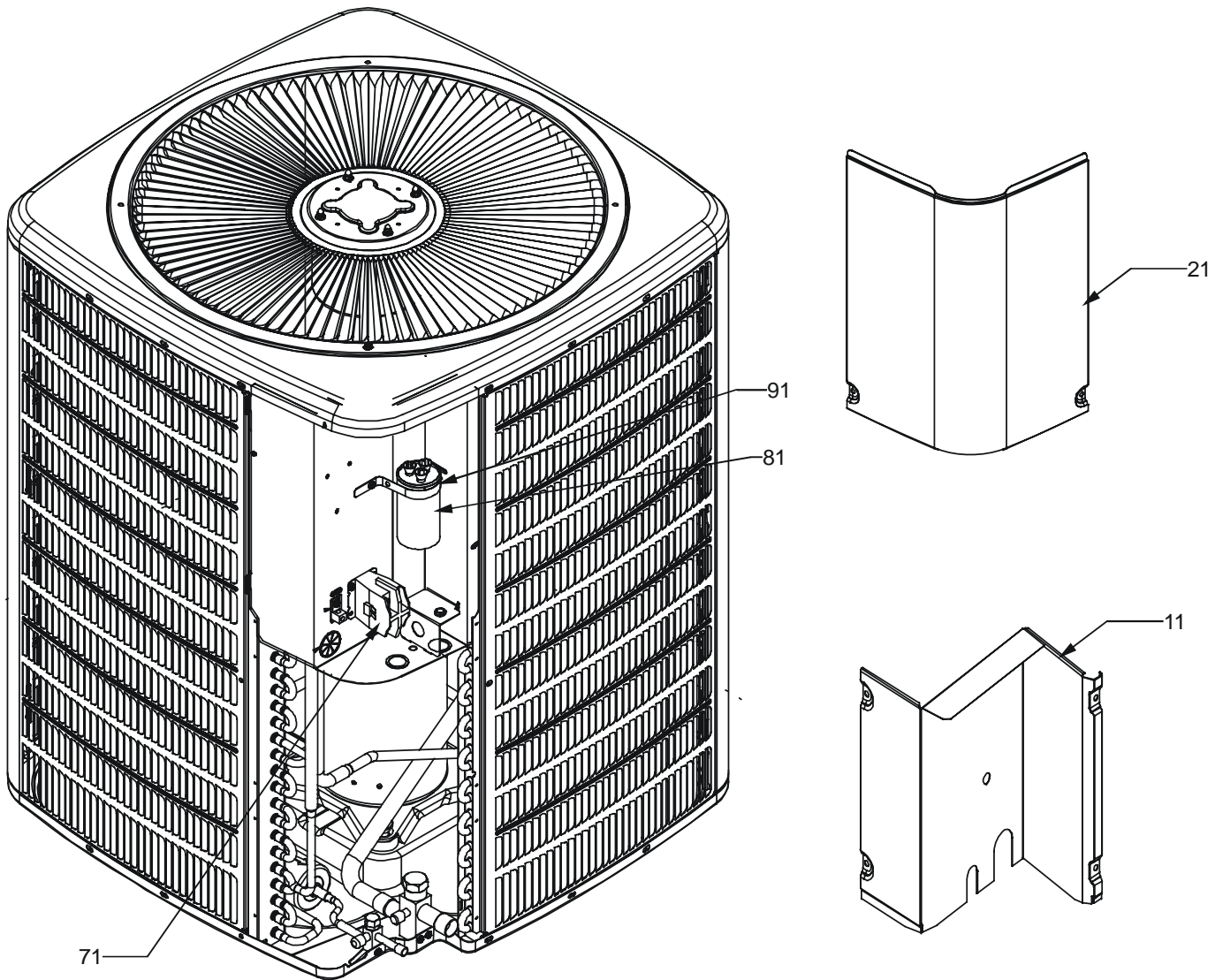
SPECIAL PARTS

0161R00009P NAMEPLATE

Expanded Model Nomenclature

M1 - GSX140181AA
M2 - GSX140241AA
M3 - GSX140301AA
M4 - GSX140361AA
M5 - GSX140421AA
M6 - GSX140481AA
M7 - GSX140601AA

Control Cover / Control Box



Control Cover / Control Box

Ref. Part No:	No:	Description:	Ref. Part No:	No:	Description:
---------------	-----	--------------	---------------	-----	--------------

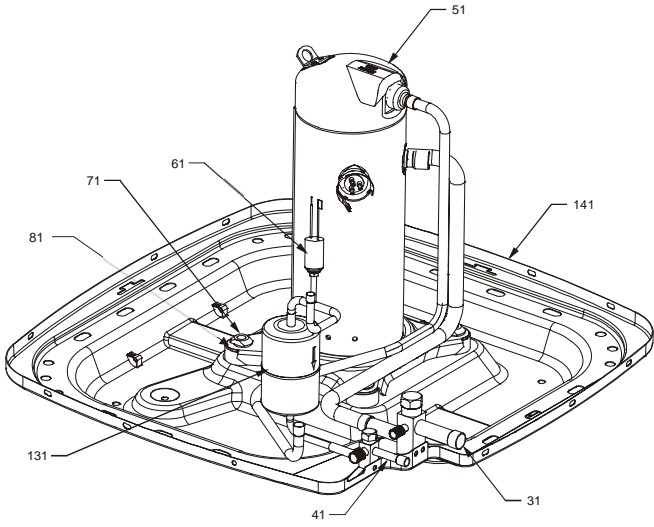
Image 1:

11	0121R00094PDG	LOWER ACCESS PANEL (M1)
11	0121R00096PDG	LOWER ACCESS PANEL (M2, M3, M4)
11	0121R00098PDG	LOWER ACCESS PANEL (M5, M6)
11	4400205PDG	LOWER ACCESS PANEL (M7)
71	CONT2P025024VS	CONTACTOR 25 AMP, 2P, 24V (M1, M2, M3, M4, M5)
71	CONT2P030024VS	CONTACTOR 30 AMP, 2P, 24V (M6, M7)
81	CAP050700440RTS	CAP, 5/70 MFD/440V/DUAL RD (M7)
81	CAP050300440RSS	CAPACITOR 5/30/370V (M1)
81	CAP050350440RSS	CAPACITOR 5/35/440V (M2)
81	CAP050450440RTS	CAPACITOR 5/45/440V (M4, M5, M6)
91	4400065	CAPACITOR STRAP
NS	0161R00009P	NAMEPLATE

Expanded Model Nomenclature

M1 - GSX140181AA
M2 - GSX140241AA
M3 - GSX140301AA
M4 - GSX140361AA
M5 - GSX140421AA
M6 - GSX140481AA
M7 - GSX140601AA

Compressor / Tubing Assembly



Compressor / Tubing Assembly

Ref. Part No: No:	Description:	Ref. Part No: No:	Description:
-------------------	--------------	-------------------	--------------

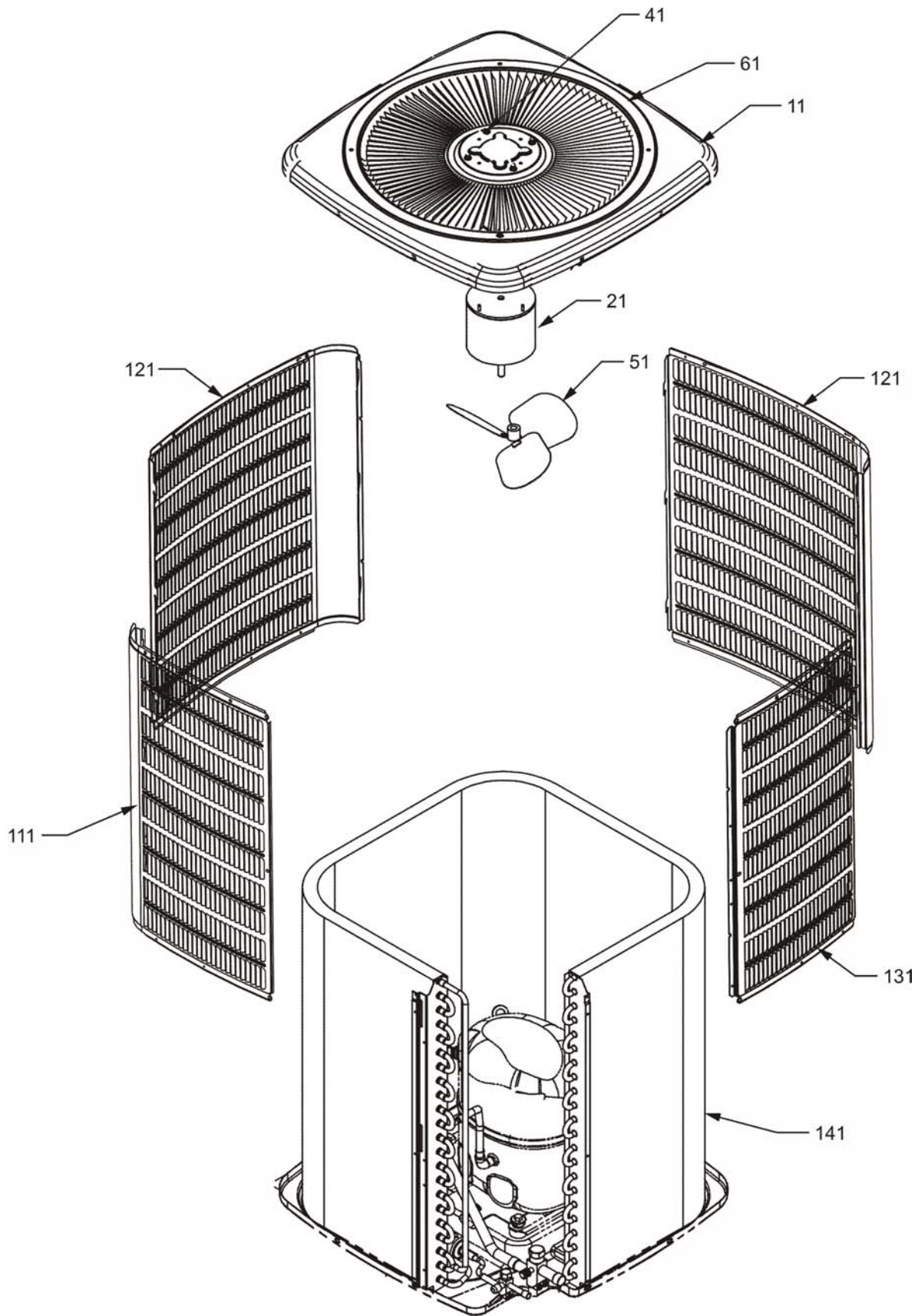
Image 1:

31	0151R00002P	3/4" SERVICE VALVE OPEN LEFT (M1, M2, M3, M4)
31	0151R00003P	7/8" SERVICE VALVE OPEN LEFT (M5, M6, M7)
41	B12825171	3/8" SERVICE VALVE (M1, M2, M3, M4, M5, M6)
51	ZP16K5EPFV830	COMPRESSOR 15500, 208/230/60/1 (M1)
51	ZP20K5EPFV830	COMPRESSOR 20000, 208/230/60/1 (M2)
51	ZP24K5EPFV830	COMPRESSOR 24000, 208/230/60/1 (M3)
51	ZP29K5EPFV830	COMPRESSOR 29000, 208/230/60/1 (M4)
51	ZP31K5EPFV830	COMPRESSOR 31100, 208/230/60/1 (M5)
51	ZP39K5EPFV830	COMPRESSOR 39000, 208/230/60/1 (M6)
51	ZP51K5EPFV830	COMPRESSOR 51000, 208/230/60/1 (M7)
61	0130M00089	SW-CUTOOUT HI PRESS (M7)
71	M0221641	TF SHOULDER SCREW (QTY 4)
81	B1339533	COMPRESSOR GROMMET (QTY 4)
131	0162R00009	FILTER DRIER
141	0121R00005PDG	BASE PAN 26" (M1, M2)
141	0121R00006PDG	BASE PAN 29" (M3, M4, M5)
141	0121R00007PDG	BASE PAN 35" (M6, M7)
NS	0159R00000P	COMPRESSOR SCROLL HARNESS (M1, M2)
NS	0159R00001P	COMPRESSOR SCROLL HARNESS (M3, M4, M5)
NS	0159R00002P	COMPRESSOR SCROLL HARNESS (M6, M7)
NS	B1789852	FLOW CHECK PISTON KIT .052 (M1)
NS	B1789855	FLOW CHECK PISTON KIT .055 (M2)
NS	B1789865	FLOW CHECK PISTON KIT .065 (M3)
NS	B1789868	FLOW CHECK PISTON KIT .068 (M4)
NS	B1789870	FLOW CHECK PISTON KIT .070 (M5)
NS	B1789878	FLOW CHECK PISTON KIT .078 (M6)
NS	B1789888	FLOW CHECK PISTON KIT .088 (M7)

Expanded Model Nomenclature

M1 - GSX140181AA
M2 - GSX140241AA
M3 - GSX140301AA
M4 - GSX140361AA
M5 - GSX140421AA
M6 - GSX140481AA
M7 - GSX140601AA

Cabinet Top / Side Panels



Cabinet Top / Side Panels

Ref. Part No:	No:	Description:	Ref. Part No:	No:	Description:							
<i>Image 1:</i>			<i>Image 1:</i>									
11	0121R00269PDG	PANEL, TOP 35" PNT (M7)	NS	0161R00003P	CONDUIT (M3, M5)							
11	0121R00008PDG	TOP PANEL 26" (M1, M2)	NS	0161R00004P	CONDUIT (M6)							
11	0121R00010PDG	TOP PANEL 29" (M3, M4, M5)	NS	0161R00005P	CONDUIT (M7)							
21	0131M00266	1/8 HP 8 PL PSC MOTOR (M1)	Expanded Model Nomenclature									
21	0131M00019PS	COND MOTOR 1/12 HP, 1 SP, 8 PL (M2)	<table border="1"> <tr><td>M1 - GSX140181AA</td></tr> <tr><td>M2 - GSX140241AA</td></tr> <tr><td>M3 - GSX140301AA</td></tr> <tr><td>M4 - GSX140361AA</td></tr> <tr><td>M5 - GSX140421AA</td></tr> <tr><td>M6 - GSX140481AA</td></tr> <tr><td>M7 - GSX140601AA</td></tr> </table>			M1 - GSX140181AA	M2 - GSX140241AA	M3 - GSX140301AA	M4 - GSX140361AA	M5 - GSX140421AA	M6 - GSX140481AA	M7 - GSX140601AA
M1 - GSX140181AA												
M2 - GSX140241AA												
M3 - GSX140301AA												
M4 - GSX140361AA												
M5 - GSX140421AA												
M6 - GSX140481AA												
M7 - GSX140601AA												
21	0131M00016PS	COND MOTOR 1/6 HP, 1 SP, 8 PL (M3, M4, M5)										
21	0121R00053PDG	CONTROL COVER										
21	0131M00061S	MOTOR, 1/4HP, 1SP, 8PL (M6, M7)										
41	0163M00006P	ACORN NUT 5/16 HEX BLACK (QTY 4)										
51	0150M00018S	FAN BLADE 20" (M2)										
51	0150M00012S	FAN BLADE 20" CCW (M1)										
51	0150M00008S	FAN BLADE 22" TNT2203-25 (M3, M5)										
51	10625738S	FAN BLADE 26" ALUM CCW (M6, M7)										
61	0161L00000	VENTURI RING 22" (M4)										
61	0161R00007P	VENTURI RING 35" (M6)										
111	0121R00043PDGB	LOUVERED SIDE PANEL [LT OF CNTL PNL] (M7)										
111	0121R00102PDGB	LOUVERED SIDE PANEL [LT OF CNTL PNL] (M1)										
111	0121R00125PDGB	LOUVERED SIDE PANEL [LT OF CNTL PNL] (M3, M4)										
111	0121R00127PDGB	LOUVERED SIDE PANEL [LT OF CNTL PNL] (M5)										
111	0121R00171PDGB	LOUVERED SIDE PANEL [LT OF CNTL PNL] (M2)										
111	0121R00228PDGB	LOUVERED SIDE PANEL [LT OF CNTL PNL] (M6)										
121	0121R00047PDGB	LOUVERED SIDE PANEL (M7)										
121	0121R00109PDGB	LOUVERED SIDE PANEL (M1)										
121	0121R00132PDGB	LOUVERED SIDE PANEL (M3, M4)										
121	0121R00134PDGB	LOUVERED SIDE PANEL (M5)										
121	0121R00172PDGB	LOUVERED SIDE PANEL (M2)										
121	0121R00231PDGB	LOUVERED SIDE PANEL (M6)										
131	0121R00139PDG	LOUVERED SIDE PANEL [RT OF CNTL PNL] (M3, M4)										
131	0121R00051PDG	LOUVERED SIDE PANEL [RT OF CNTL PNL] (M7)										
131	0121R00116S	LOUVERED SIDE PANEL [RT OF CNTL PNL] (M1)										
131	0121R00141PDG	LOUVERED SIDE PANEL [RT OF CNTL PNL] (M5)										
131	0121R00173PDG	LOUVERED SIDE PANEL [RT OF CNTL PNL] (M2)										
131	0121R00234PDG	LOUVERED SIDE PANEL [RT OF CNTL PNL] (M6)										
141	0201R00137S	TUBING ASSY, COND COIL (M7)										
141	0201R00230S	TUBING ASSY, COND COIL (M3)										
141	0201R00251S	TUBING ASSY, COND COIL (M2)										
141	0201R00252S	TUBING ASSY, COND COIL (M2)										
141	0201R00271S	TUBING ASSY, COND COIL (M1)										
141	0201R00279S	TUBING ASSY, COND COIL (M4)										
141	0201R00312S	TUBING ASSY, COND COIL (M6)										
141	0201R00316S	TUBING ASSY, COND COIL (M5)										
NS	0161R00001P	CONDUIT (M1, M2)										
NS	0161R00002P	CONDUIT (M4)										