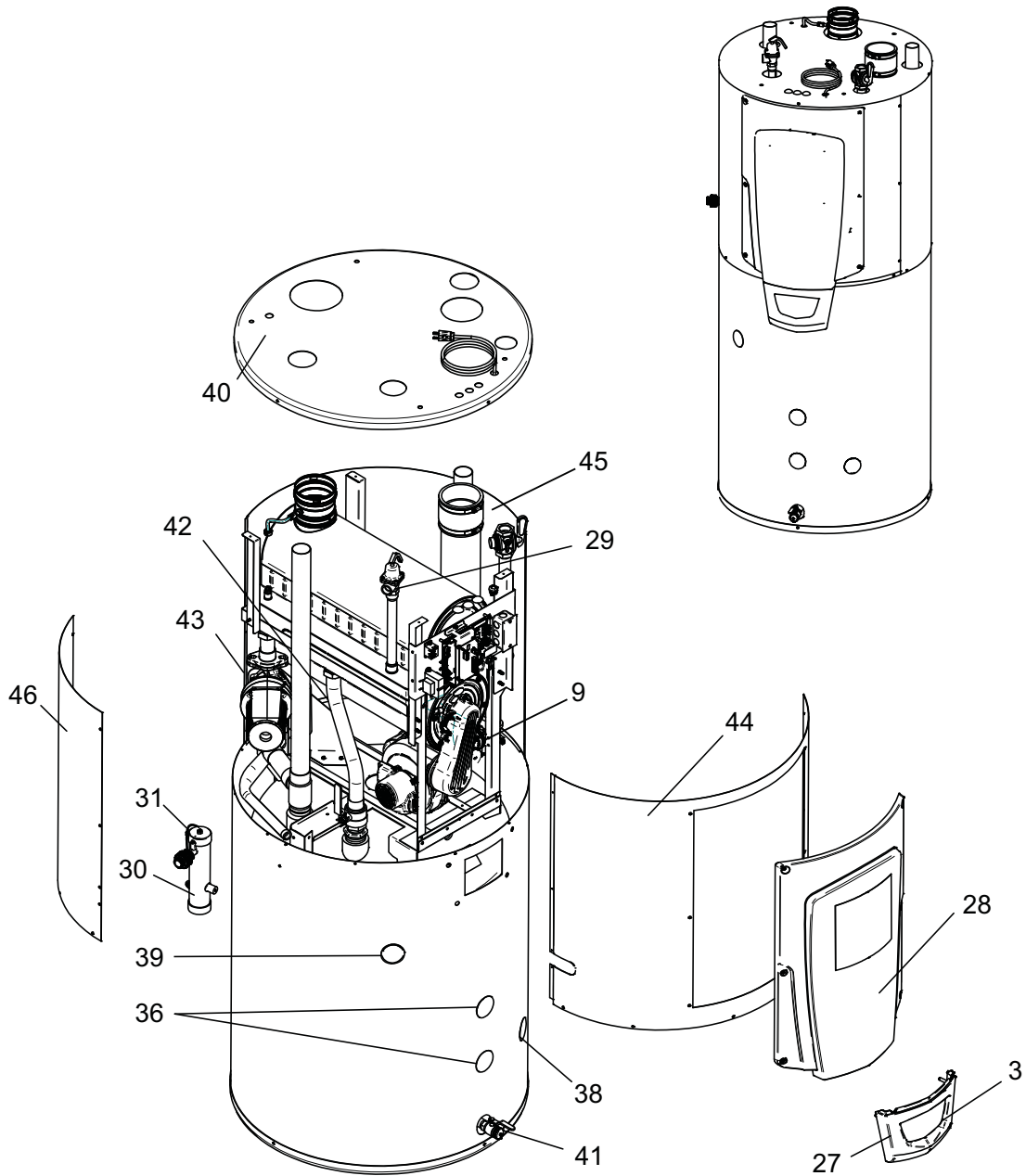




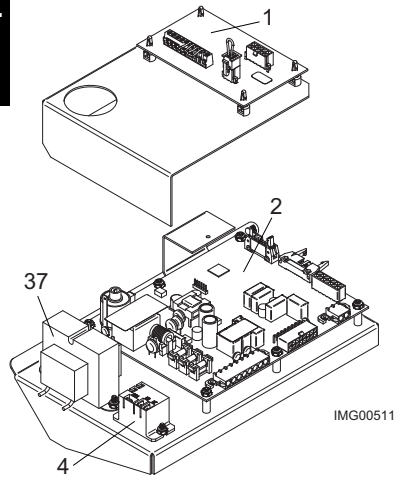
Replacement Parts List

PARTS & SERVICE DEPARTMENT
Nashville, Tennessee
615-889-8900 • Fax: 615-882-2918
parts_team@lochinvar.com
www.Lochinvar.com

SHIELD™ Water Heater SNR126-065, 151-100, 201-100 SNA151-100, 201-100, 286-125, 401-125, 501-125

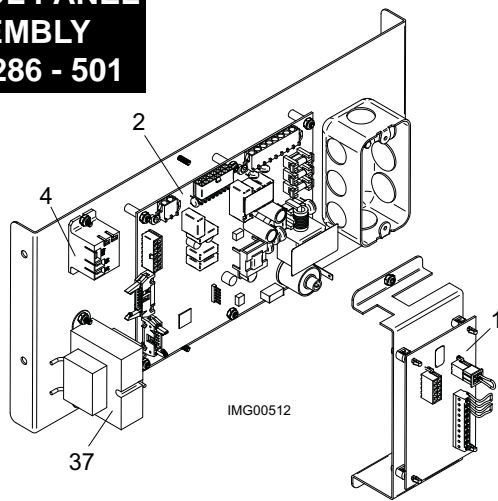


**CONTROL PANEL
ASSEMBLY
SNR/A 126 - 201**



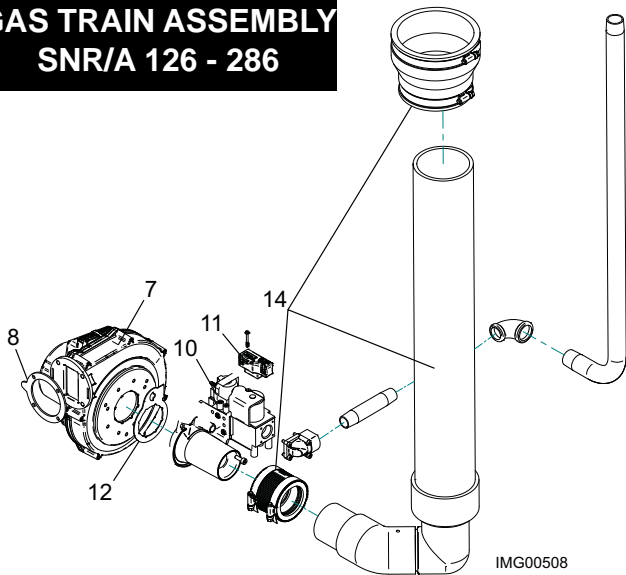
IMG00511

**CONTROL PANEL
ASSEMBLY
SNR/A 286 - 501**



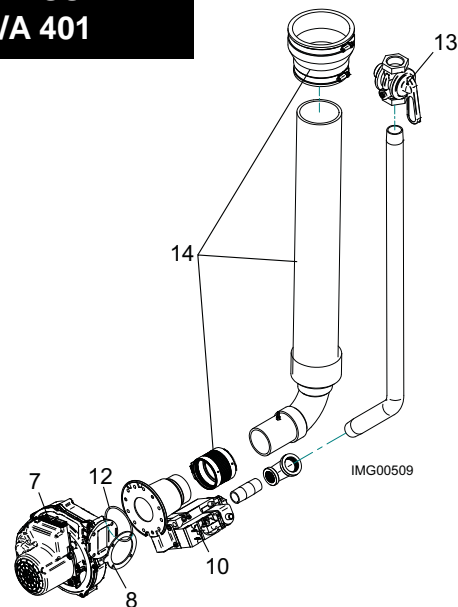
IMG00512

**GAS TRAIN ASSEMBLY
SNR/A 126 - 286**



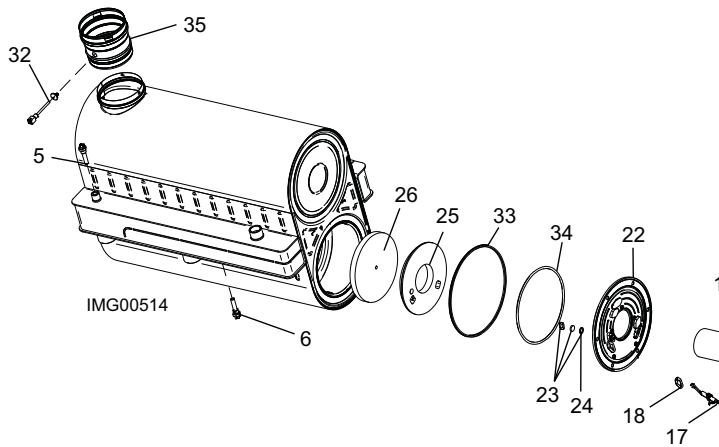
IMG00508

**GAS TRAIN ASSEMBLY
SNR/A 401**



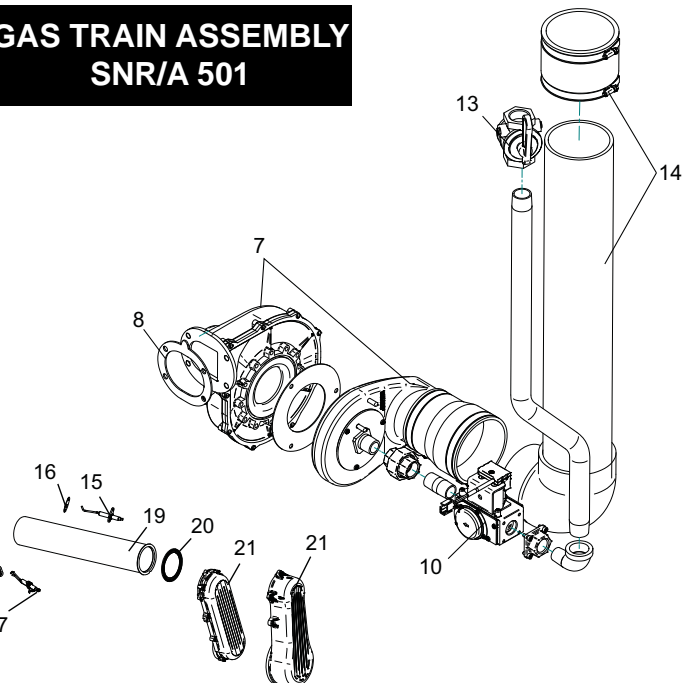
IMG00509

**HEAT EXCHANGER
ASSEMBLY**



IMG00514

**GAS TRAIN ASSEMBLY
SNR/A 501**



ITEM NO.	PART NO.	DESCRIPTION	MODEL
CONTROLS			
1	RLY20117	CONNECTION BOARD	ALL
2	RLY30112	INTEGRATED CONTROL	SNR126, SNR/A151 &201
2	RLY30113	INTEGRATED CONTROL	SNA401
2	RLY30114	INTEGRATED CONTROL	SNA286 & 501
2	RLY30115	HIGH ALTITUDE INTEGRATED CONTROL	SNR126, SNR/A151 &201
2	RLY30116	HIGH ALTITUDE INTEGRATED CONTROL	SNA401
2	RLY30117	HIGH ALTITUDE INTEGRATED CONTROL	SNA286 & 501
3	RLY20120	USER INTERFACE CONTROL	ALL
4	RLY2706	PUMP RELAY	ALL
5	TST20037	WATER TEMP SENSOR, INLET	ALL
6	TST20038	OUTLET SENSOR/ HIGHT LIMIT	ALL
7	FAN3030	FAN ASSEMBLY	SNR126
7	FAN3031	FAN ASSEMBLY	SNR/A151
7	FAN3032	FAN ASSEMBLY	SNR/A201
7	FAN3033	FAN ASSEMBLY	SNA286
7	FAN3035	FAN ASSEMBLY	SNA401
7	FAN30005	FAN ASSEMBLY	SNA501
8	GKT2456	GASKET/ BLOWER	SNR151
8	GKT2436	GASKET/ BLOWER	SNR126, SNR/A201-401
8	GKT2438	GASKET/ BLOWER	SNA501
9	PRS20016	PRESSURE SWITCH	SNR126, SNR/A151
9	PRS20017	PRESSURE SWITCH	SNR/A201
9	PRS20001	PRESSURE SWITCH	SNA286
9	PRS20002	PRESSURE SWITCH	SNA401
9	PRS20022	PRESSURE SWITCH	SNA501
GAS VALVES			
10	VAL30071	GAS VALVE ASSEMBLY	SNR126
10	VAL30072	GAS VALVE ASSEMBLY	SNR/A151
10	VAL30073	GAS VALVE ASSEMBLY	SNR/A201
10	VAL30074	GAS VALVE ASSEMBLY	SNA286
10	VAL30075	GAS VALVE ASSEMBLY	SNA401
10	VAL30076	GAS VALVE ASSEMBLY, NAT	SNA501
10	VAL30077	GAS VALVE ASSEMBLY, LP	SLA501
11	MSC2233	GAS VALVE ON/OFF SWITCH	SNR126, SNR/A151, 201 & SNA286
12	GKT2443	GAS VALVE GASKET	SNR126, SNR/A151 & 201, SNA286
12	GKT2444	GAS VALVE GASKET	SNA401
13	GAC2029	GAS CUT OFF VALVE 1X1	SNA401-501
14	MSC30040	AIR INLET KIT	SNR126 & SNR/A201
14	MSC30041	AIR INLET KIT	SNR/A151
14	MSC30042	AIR INLET KIT	SNA286
14	MSC30043	AIR INLET KIT	SNA401
14	MSC30044	AIR INLET KIT	SNA501
PILOT & BURNER ASSEMBLIES			
15	PLT3022	FLAME SENSOR WITH GASKET	ALL
16	GKT2450	FLAME SENSOR GASKET	ALL
17	PLT3021	IGNITOR WITH GASKET	ALL
18	GKT2449	IGNITOR GASKET	ALL
19	BNR30019	BURNER W/GASKET	SNR126
19	BNR3426	BURNER W/GASKET	SNR/A151
19	BNR3427	BURNER W/GASKET	SNR/A201
19	BNR3428	BURNER W/GASKET	SNA286
19	BNR3429	BURNER W/GASKET	SNA401-501
20	GKT2451	BURNER GASKET	ALL
21	WTR3082	GAS/AIR ARM ASSEMBLY W/ GASKET	SNR126
21	WTR3077	GAS/AIR ARM ASSEMBLY W/ GASKET	SNR/A151
21	WTR3078	GAS/AIR ARM ASSEMBLY W/ GASKET	SNR/A201, SNA286-401
21	WTR3079	GAS/AIR ARM ASSEMBLY W/ GASKET	SNA501
22	WTR30002	HEAT EXCHANGER ACCESS DOOR KIT	ALL
MISCELLANEOUS			
23	MSC3180	SIGHT GLASS WITH GASKET	ALL
24	GKT2453	SIGHT GLASS GASKET	ALL

PLEASE HAVE SERIAL NUMBER AVAILABLE WHEN ORDERING PARTS

ITEM NO.	PART NO.	DESCRIPTION	MODEL
MISCELLANEOUS (CONTINUED)			
25	FIB2291	INSULATION, BURNER PLATE DOOR	ALL
26	FIB2167	INSULATION BAFFLE, DIVIDER PLATE	ALL
27	MSC20007	DISPLAY BEZEL LOWER	ALL
28	MSC20023	DISPLAY BEZEL UPPER	SNR126, SNR/A151 & 201
28	MSC20037	DISPLAY BEZEL UPPER	SNA286-501
29	RLV2017	T & P RELIEF 150#	SNR126
29	RLV1002	T & P RELIEF 150#	SNR/A151 & 201
29	RLV20023	T & P RELIEF 150#	SNA286-501
30	MSC20260	CONDENSATE TRAP	ALL
31	SWT2011	BLOCKED DRAIN SWITCH	ALL
32	TST20007	FLUE TEMP SENSOR KIT	SNR126, SNR/A151 & 201
32	TST30011	FLUE TEMP SENSOR KIT	SNA286-501
33	GKT2455	GASKET DOOR RUBBER	ALL
34	GKT2452	GASKET DOOR ROPE	ALL
35	PVC2048	FLUE COLLAR	SNR126, SNR/A151 & 201
35	JKB2001	FLUE COLLAR	SNA286-501
36	WTR2500	ANODE ROD, MAGNESIUM	ALL
37	TRF20000	TRANSFORMER	ALL
38	TST2032	TANK SENSOR	ALL
-	TST2306	BULB WELL	ALL
39	MSC2455	SEAL, KNOCK OUT	ALL
40	MSC2520	SEAL, KNOCK OUT 2 1/2"	ALL
41	DRV20000	VALVE, DRAIN BRASS	ALL
42	GKT20023	COPPER TUBE GASKET	SNR126, SNR/A151 & 201
42	GKT20051	COPPER TUBE GASKET	SNA286
42	GKT20052	COPPER TUBE GASKET	SNA401-501
-	FUS2000	1.25 AMP	ALL
-	FUS2001	3.15 AMP	ALL
-	FUS2002	5 AMP	ALL
-	WTR20009	MRLWCO WITH TEST	ALL
-	KIT3087	NEUTRALIZER KIT	ALL
-	HLC30000	LIMIT, HEAT EXCHANGER OVER TEMP	SNA286-501
-	WRE20166	HARNESS, UNIT	SNR126, SNR/A151 & 201
-	WRE20184	HARNESS, UNIT	SNA286-501
-	WRE20167	HARNESS, POWER	SNR126, SNR/A151 & 201
-	WRE20183	HARNESS, POWER	SNA286-501
-	WRE20021	CORD, POWER	ALL
-	WRE20188	HARNESS, CONNECTION BOARD	SNR126, SNR/A151 & 201
-	WRE20196	HARNESS, CONNECTION BOARD	SNA286-501
-	WRE2209	HARNESS, ELECTRODE SPARK	ALL
-	WRE2211	HARNESS, ELECTRODE, FLAME SENSOR	ALL
-	WRE2203	CABLE, RIBBON	SNR126, SNR/A151 & 201
-	WRE2229	CABLE, RIBBON	SNA286-501
-	WRE2206	HARNESS, GAS VALVE	SNA401
-	WRE30000	HARNESS, GAS VALVE	SNA501
-	LPK3946	LP CONVERSION KIT	SNR126, SNR/A151
-	LPK3947	LP CONVERSION KIT	SNR/A201
-	LPK3948	LP CONVERSION KIT	SNA286
-	LPK3949	LP CONVERSION KIT	SNA401
PUMPS			
43	PUM20063	PUMP W/ HARDWARE	SNR125, SNR/A151 & 201
43	PUM20064	PUMP W/ HARDWARE	SNA286
43	PUM20051	PUMP W/ HARDWARE	SNA401 & 501
JACKET ASSEMBLY			
44	JKB30092	JACKET, OUTER, TOP, FRONT	SNR126, SNR/A151 & 201
44	JKB30093	JACKET, OUTER, TOP, FRONT	SNA286-501
45	JKB30094	JACKET, OUTER, UPPER, REAR	SNR126, SNR/A151 & 201
45	JKB30095	JACKET, OUTER, UPPER, REAR	SNA286-501
46	JKB30096	JACKET, OUTER, UPPER, SIDE	SNR126, SNR/A151 & 201
46	JKB30097	JACKET, OUTER, UPPER, SIDE	SNA286-501
PLEASE HAVE SERIAL NUMBER AVAILABLE WHEN ORDERING PARTS			