



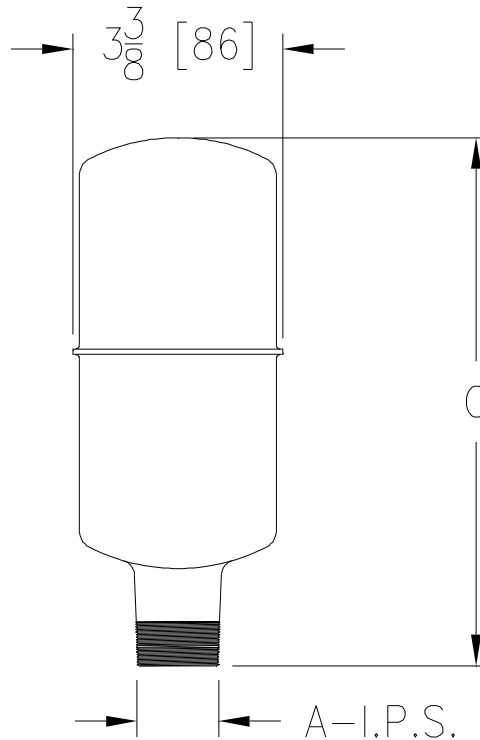
Z1700

SHOKTROL WATER HAMMER ARRESTORS

SPECIFICATION SHEET

TAG _____

Dimensional Data (inches and [mm]) are Subject to Manufacturing Tolerances and Change Without Notice



Size	A Inches [mm]	C Inches [mm]	Approx. Wt. Lbs. [kg]	Fixture Unit Capacity
100	3/4 [19]	3-1/2 [90]	1 [.5]	1-11
200	3/4 [19]	3-1/2 [90]	1-1/2 [.7]	12-32
300	1 [25]	4-1/2 [114]	1-3/4 [.8]	33-60
400	1 [25]	6-5/8 [168]	2-3/4 [1.2]	61-113
500	1 [25]	7-1/2 [191]	3-1/4 [1.5]	114-154
600	1 [25]	8-1/2 [216]	3-3/4 [1.7]	155-330

Pressure and Temperature Requirements:
 Maximum Working Pressure: 125 psi [862 Kpa]
 Maximum Static Pressure: 250 psi [1724 Kpa]
 Operating Temperature Range: 33 °F to 300 °F [1 °C to 149 °C]

ENGINEERING SPECIFICATION: ZURN Z1700

Shoktrol Water Hammer Arrestors are regularly furnished in all stainless steel construction. Pipe threads are accurately machined to assure tight connection. 3/4" [19mm] male I.P.S. inlet is standard for the 100 and 200 size units, while 1" [25mm] male I.P.S. inlet is standard for sizes 300 thru 600.

All sizes of Zurn Z1700 Shoktrol Water Hammer Arrestors comply with the following specifications:

- PDI WH-201
- ANSI A112.26.1M
- ASSE 1010

Where required in piping systems, properly sized water hammer arrestors shall be ZURN Z1700 (specify size) with nesting type bellows contained within a casing having sufficient displacement volume to dissipate the calculated kinetic energy generated, in the piping system. Both casing and bellows constructed of Type 304 stainless steel.

* Regularly furnished unless otherwise specified.