



INSTALLATION INSTRUCTIONS

for 0637-0111 Economizer (CPECOMZR003A00)
063748GS1842EC

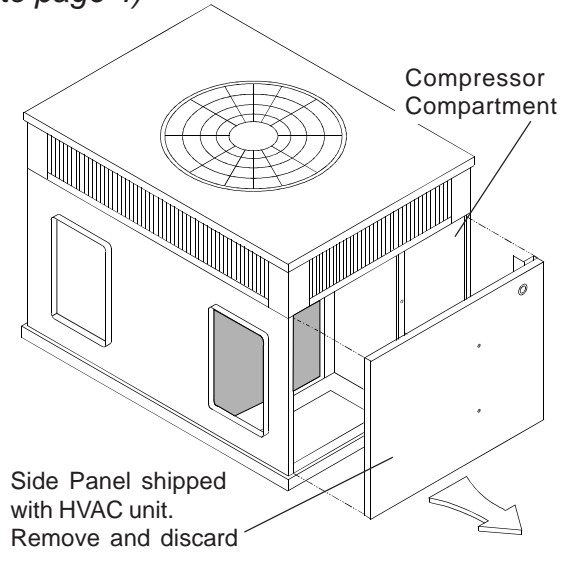
MicroMetl's 0637 economizer is convertible-it will working in either a down discharge or horizontal discharge application. Read these instructions completely and carefully before beginning installation.

For Down Discharge

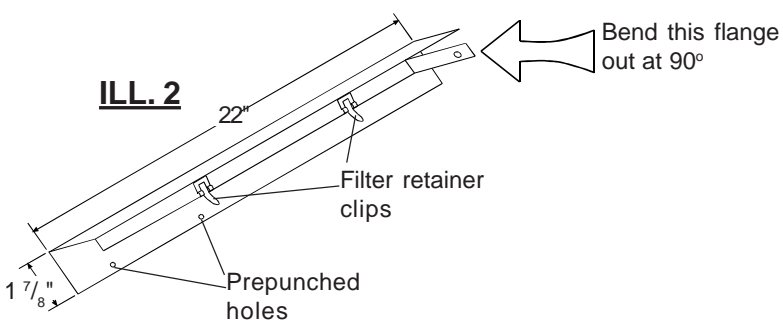
(for Horizontal Application go to page 4)

1. Remove the side panel from the HVAC unit, ILL 1.
Discard panel.
2. The bottom filter rack is built into the economizer while the top rack is installed separately.
3. On the top rack, bend the divider flange at 90° at the notched corners, ILL. 2.
4. Raise the rack to the top of the coil and all the way to the left side of the unit. Line up the prepunched hole in filter rack with the prepunched holes in coil's frame. Install (1) ½" long screw. (ILL. 3 & 4)

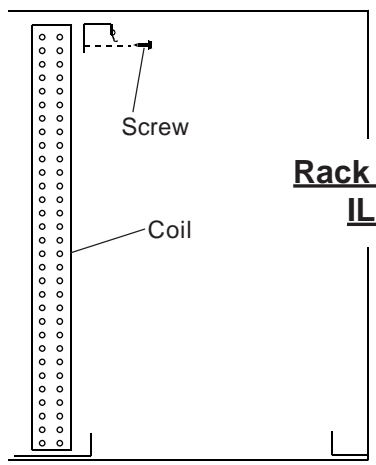
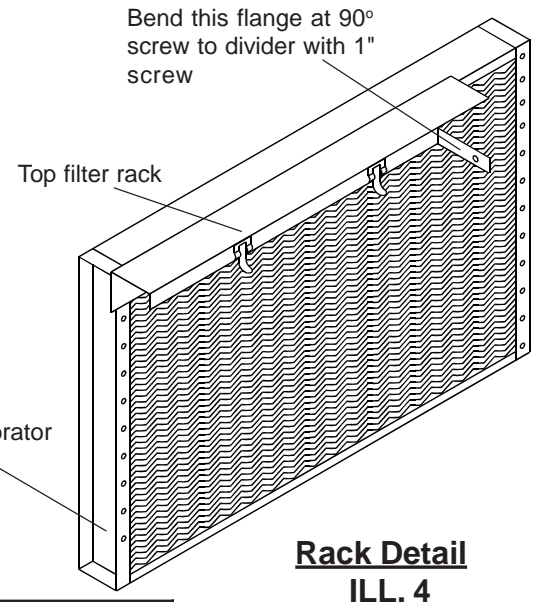
ILL. 1



ILL. 2



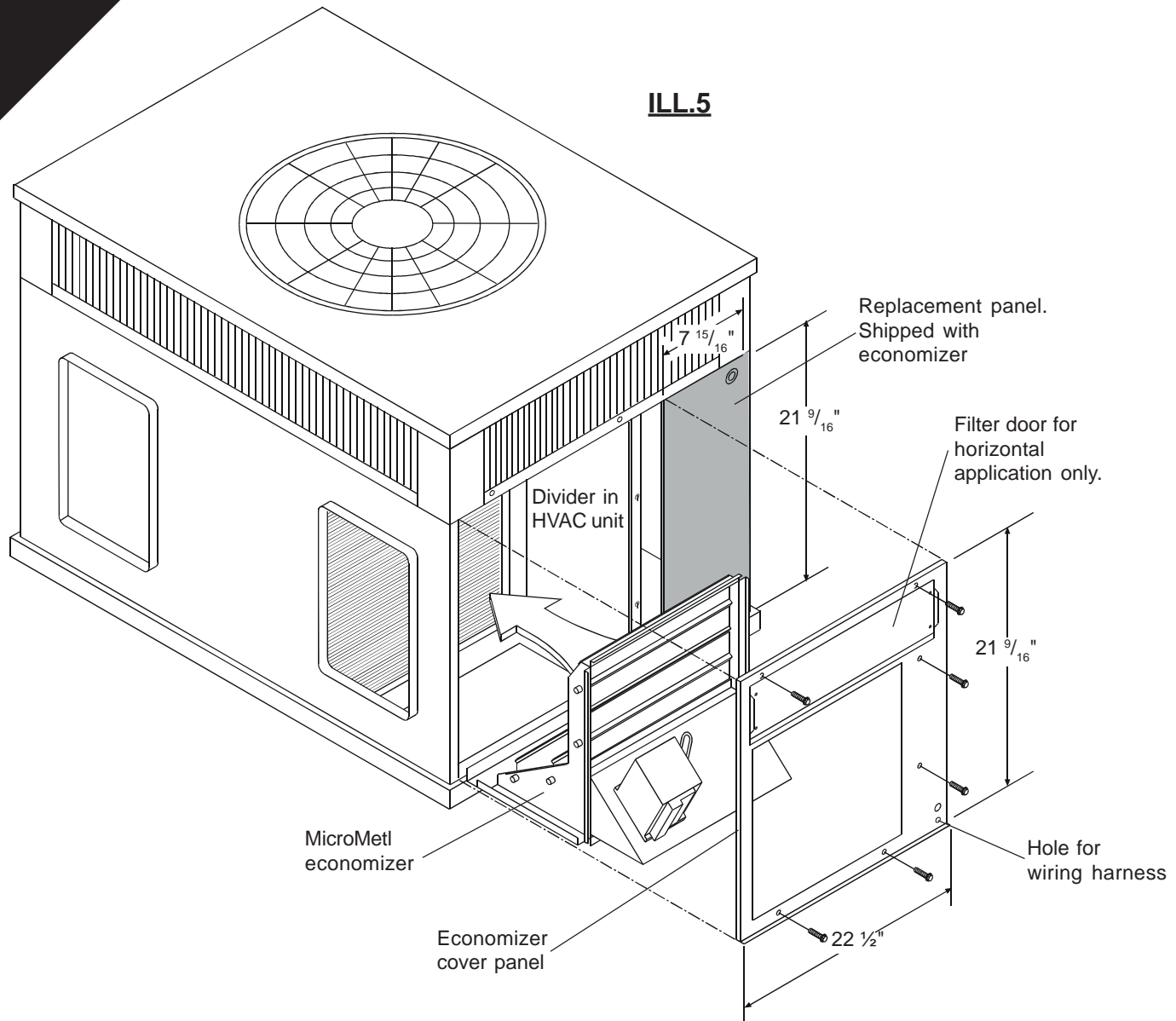
Bend this flange at 90° screw to divider with 1" screw



**Rack Detail
ILL. 3**

**Rack Detail
ILL. 4**

Filter Width	Qty. / Size
1" filter	(2) 12" X 20" X 1"
2" filter	(1) 10" X 20" X 2" (1) 12" X 20" X 2"

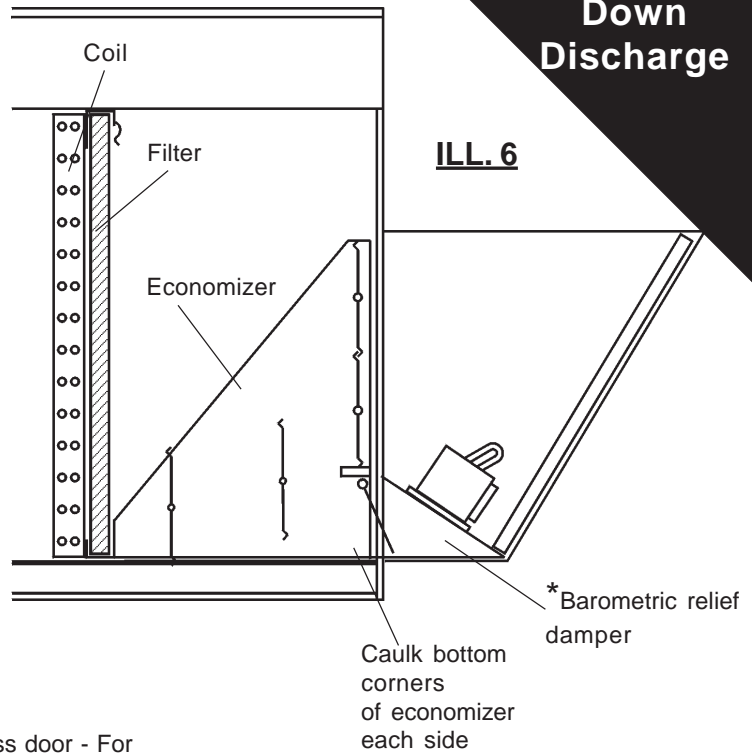


5. Screw through the prepunched hole in the 90° divider flange and into the HVAC unit's divider. Use 1" long screw. Be sure the rack is snug to the top of the unit.
6. Install the **replacement panel** (shipped with the economizer) over the compressor compartment of the HVAC unit. Screw in place through the prepunched holes.
7. Slide the economizer into the return air chamber, ILL. 5. The rear flange on economizer must fit over the flange on the HVAC unit's base, see ILL. 6. Line up the mating hole in the economizer's bottom flange with the hole in HVAC unit's base. Caulk each side of the bottom corners of the economizer.
8. Install the economizer cover panel over the economizer. Slide panel underneath top unit flange. Screw in place to the divider in the HVAC unit, base and top. Also, align the economizer to the cover panel using the provided prepunched holes.
9. Run the economizer wiring harness through the grommet in the economizer cover panel. Follow the enclosed harness routing diagram. (See page 9.)

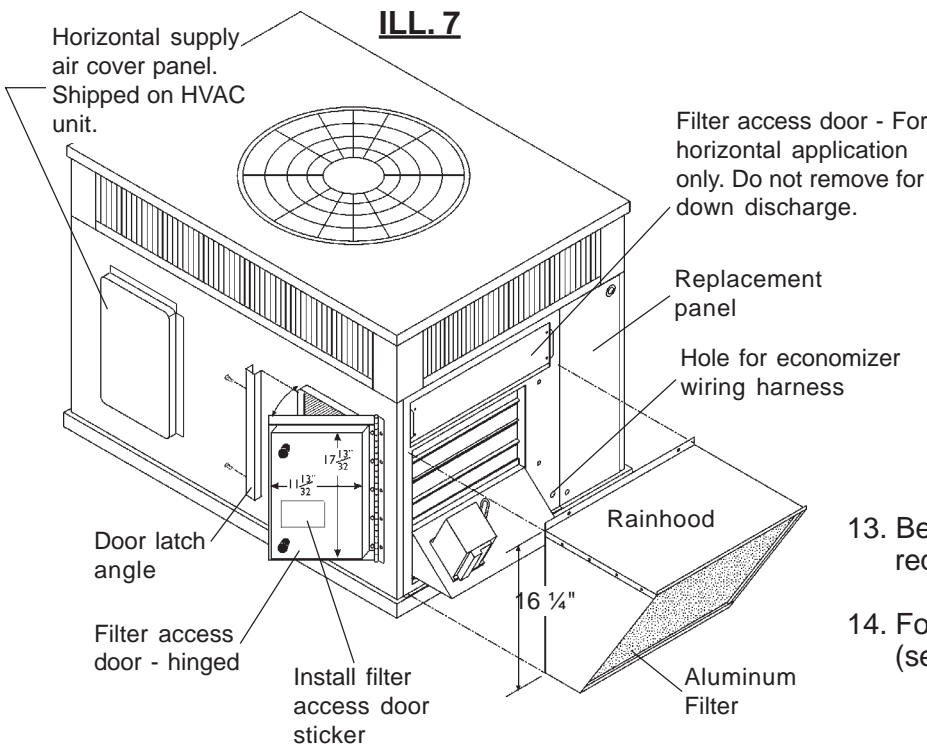
10. Caulk the mating flanges of the rainhood and screw to the economizer panel through prepunched holes. The top flange of hood goes behind the horizontal access door. (After adjusting the minimum position setting on the actuator, install the 21 ³/₁₆" x 17 ¹/₈" aluminum filter in the rain hood.)

11. Remove the cover panel shipped over the horizontal return opening. Locate the filter access panel and gasket mating flanges. Screw the hinge to the HVAC unit over the horizontal return opening. Adjust the closure handles for a tight seal.

12. Install the provided filter access sticker on the hinged door.



ILL. 6

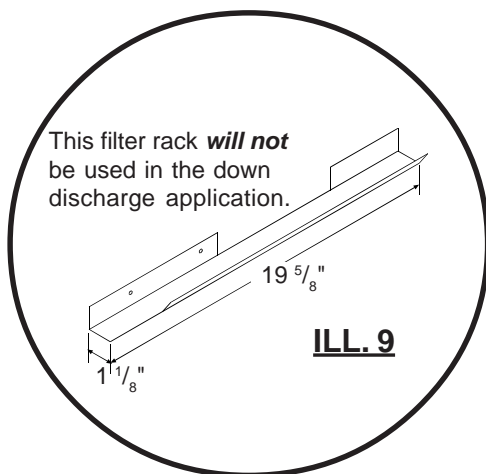


ILL. 7

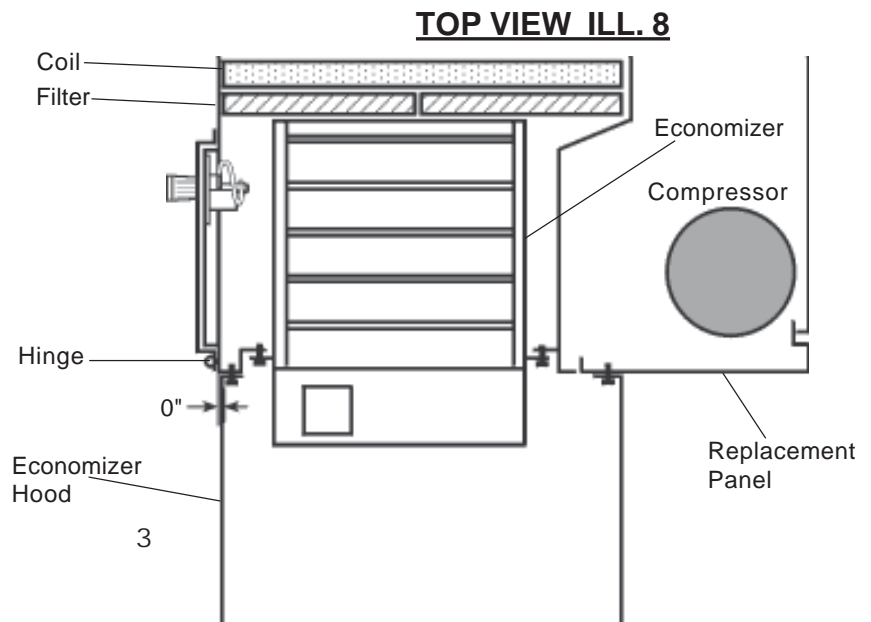
*Barometric damper relieves approximately 25% of total system air. Actual relief will vary depending on job site conditions.

13. Be sure the seams are all water tight. Seal as required.

14. Follow the wiring instructions enclosed. (see page 8)



ILL. 9



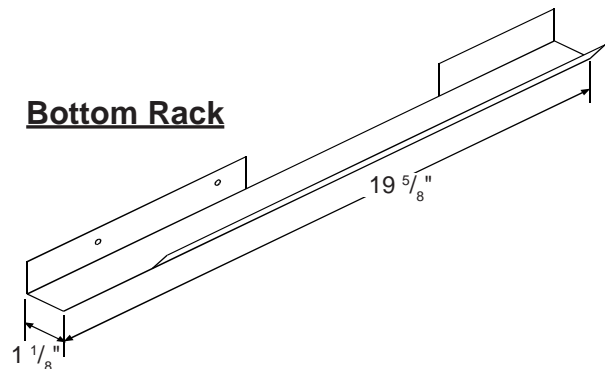
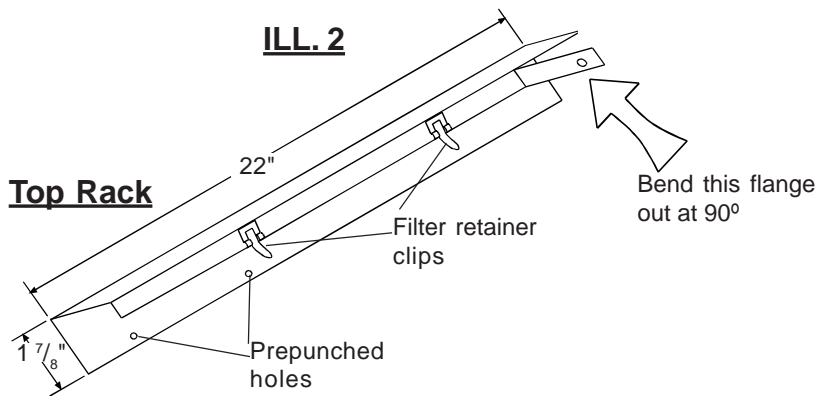
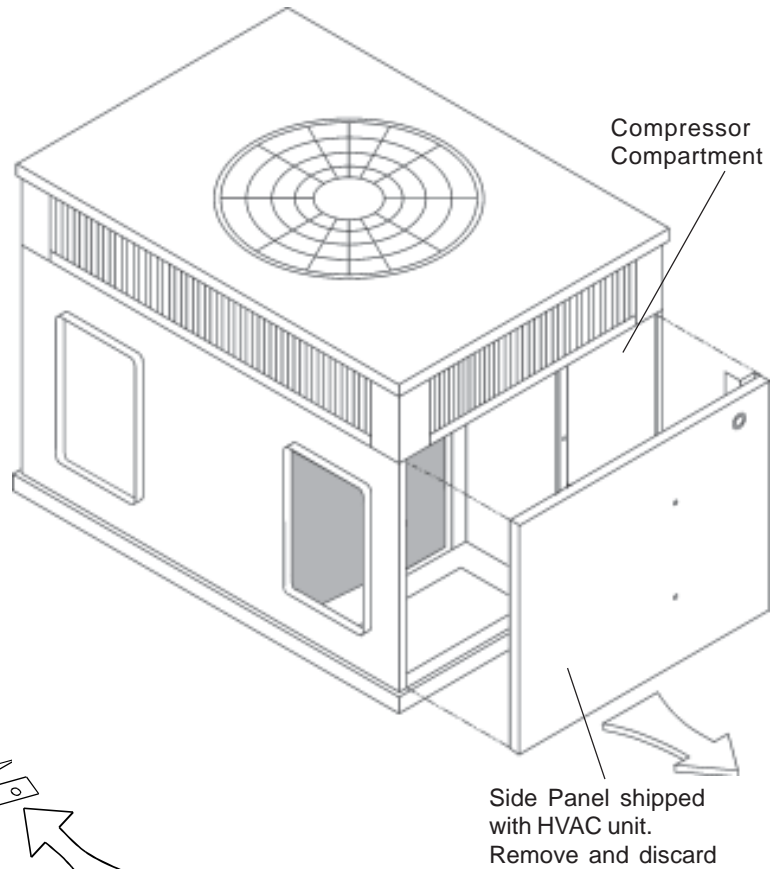
TOP VIEW ILL. 8

For Horizontal Discharge

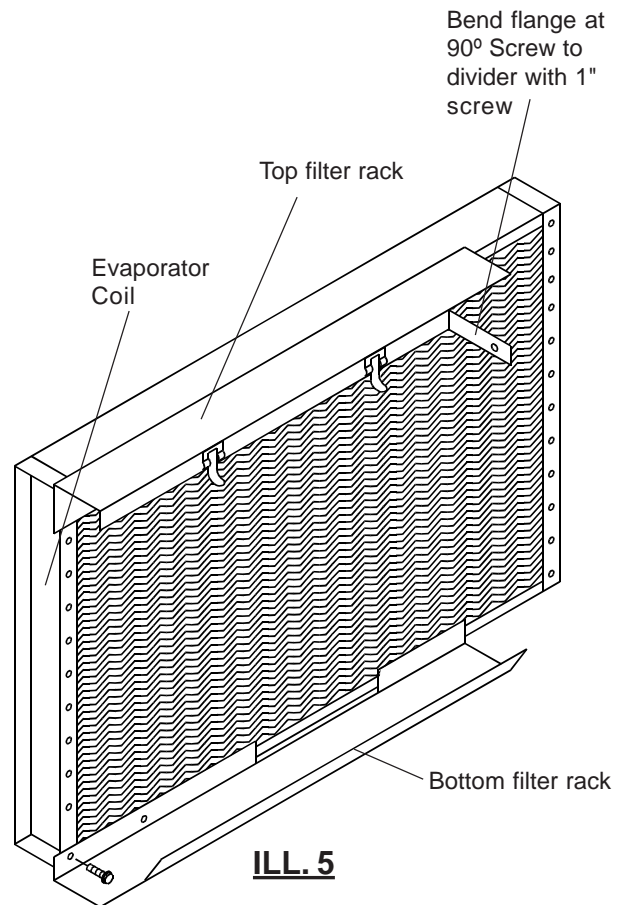
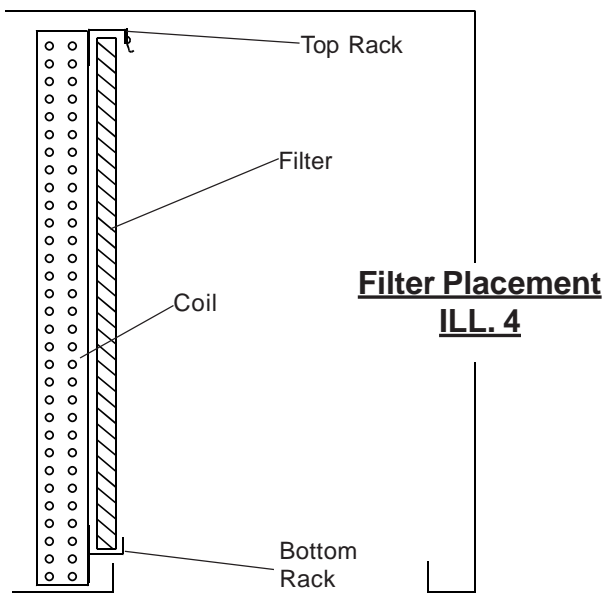
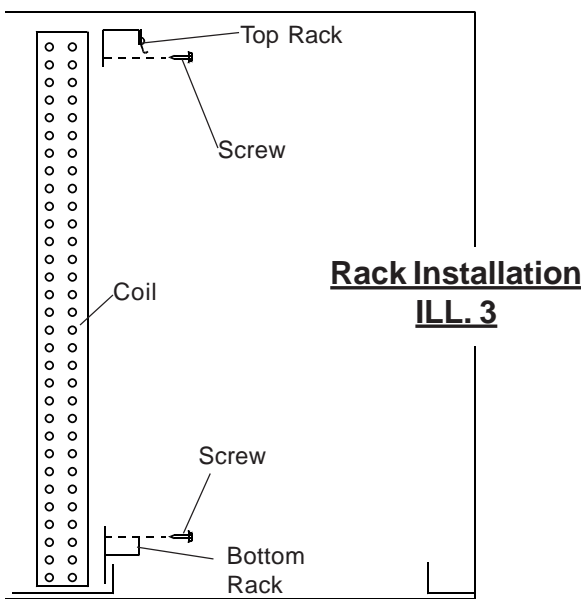
(for Down Discharge Application go to page 1)

1. Remove the side panel from the HVAC unit, ILL. 1. Discard the panel.
2. NOTE:
2" filters can not be used in a horizontal application.
3. Bend the tab on the top rack 90° at the perforations, ILL. 2.

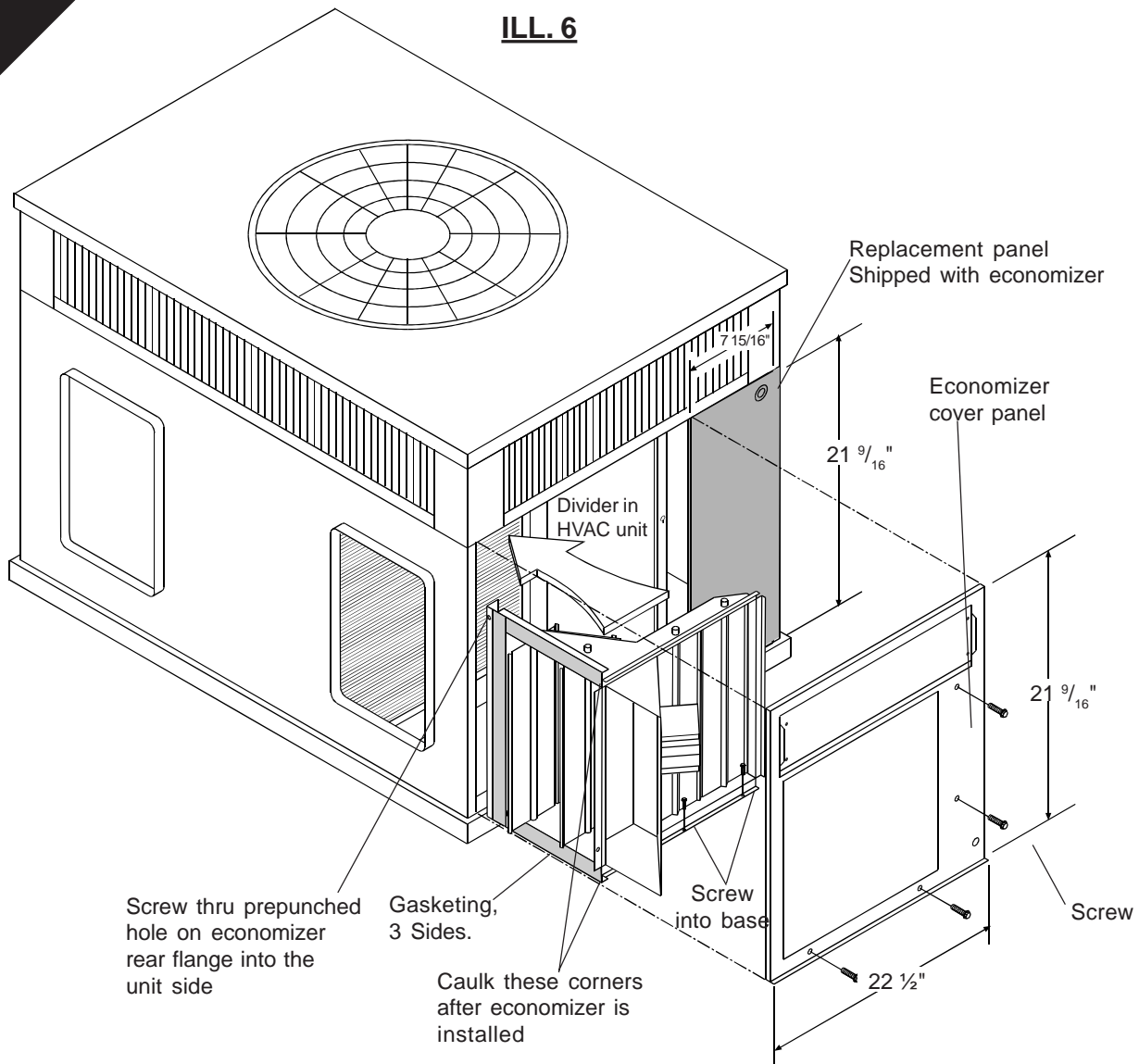
Locate both the top filter rack and the bottom filter rack (used in horizontal applications only).



4. Install the bottom rack. Slide the rack to the far left side (when facing the coil) of the HVAC unit. Set the rack in front of the coil and screw the rack to the coil frame through the prepunched holes. **Maximum screw length - 1/2"**.
5. Install the top rack with the tab bent at 90° at the perforations. Raise the rack to the top of the coil and slide to the far left. Screw the rack to the coil frame through the prepunched holes. **Maximum screw length 1/2"**. Screw through the 90° bent flange and into unit's divider. Use 1" long screw.



ILL. 6

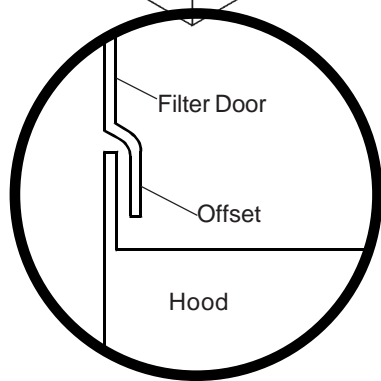
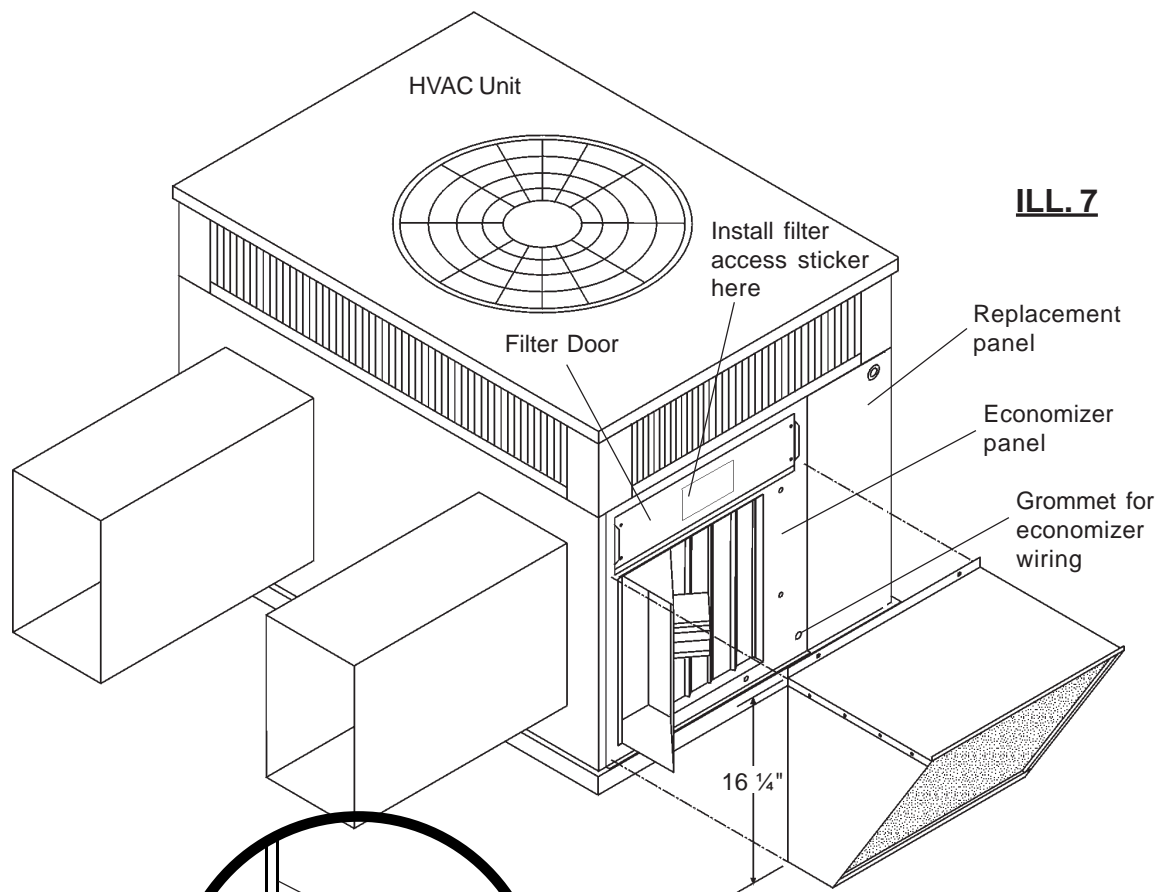


6. Install the replacement panel over the compressor compartment. Screw in place through the prepunched holes.
7. Install the 5/8" gasketing on the bottom flanges of the economizer, ILL. 6.
8. Turn the economizer on its side as shown, ILL. 6. Slide the economizer into the cabinet and as far to the left as possible. The economizer will set against the left side of the HVAC unit. Caulk as required.
9. Screw through the bottom flange and through the economizer rear flange into the unit side.
10. Install the economizer cover panel over the opening and economizer. Panel slides underneath top flange of unit.

NOTE:

The relief damper must be sealed shut for the horizontal discharge application.

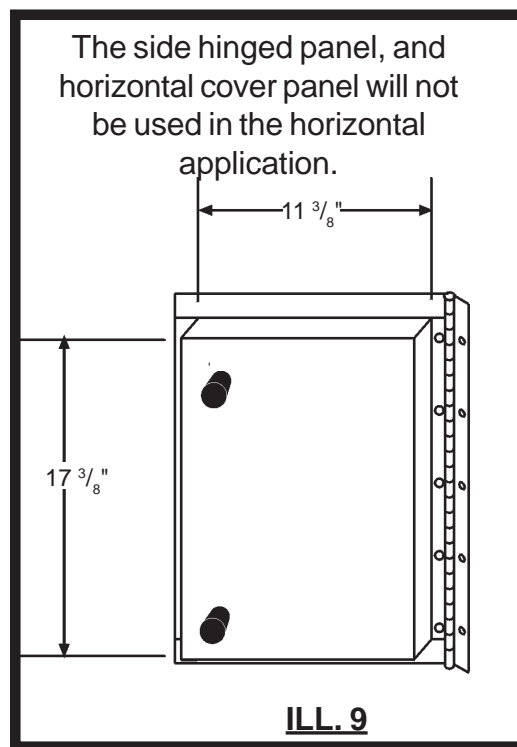
ILL. 7



ILL. 8

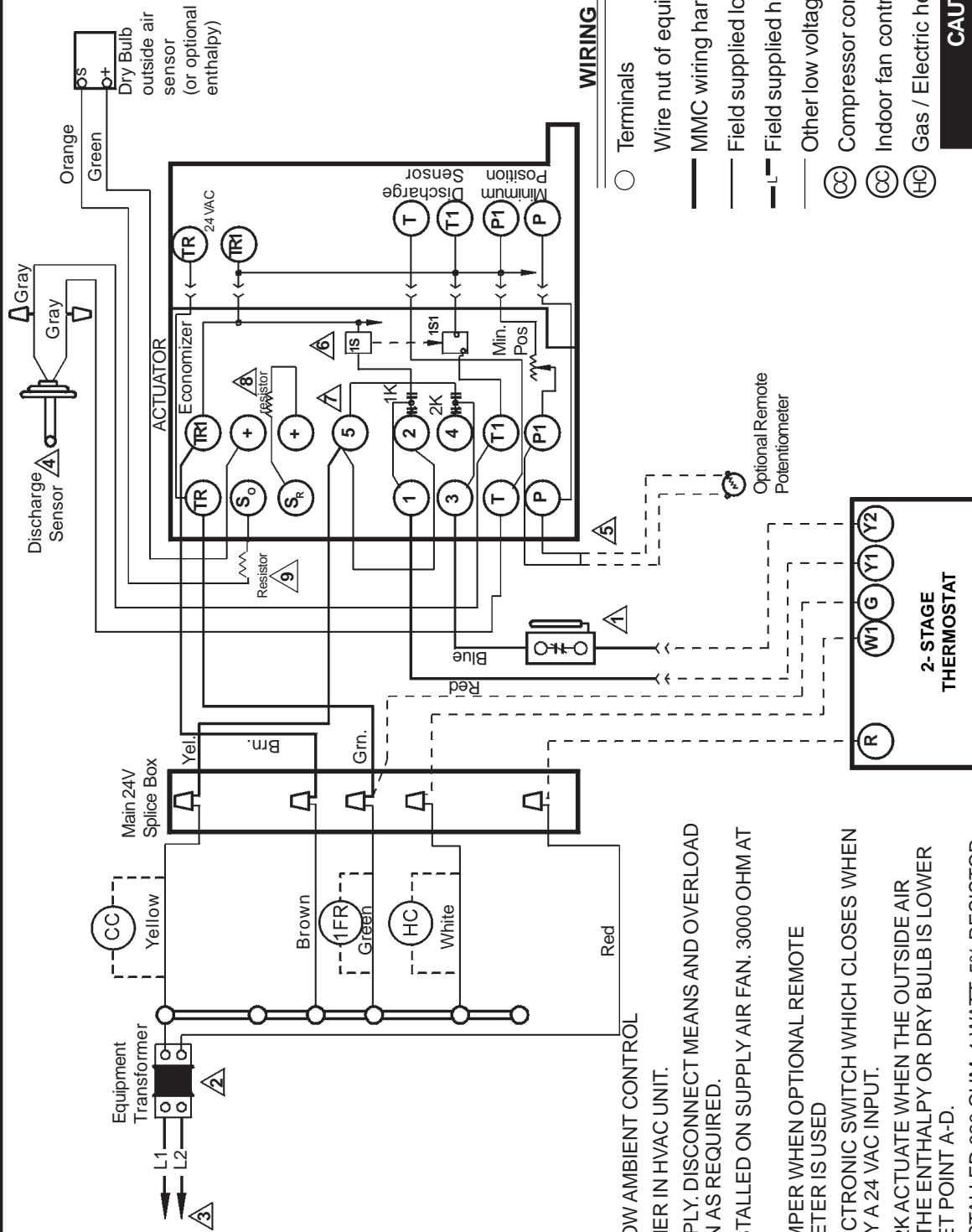
11. Route the economizer wiring harness through the grommet in the economizer panel. Follow the harness routing diagram. (see page 9)
12. Caulk the mating flanges on the rainhood and screw to the economizer panel through the prepunched holes. Top flange of the hood slips behind the filter door offset, ILL. 8. An extended socket will be required for the left side of the hood. After adjusting the minimum position setting on the actuator, install the aluminum filter in the rainhood. Install the provided filter access sticker on the horizontal filter door.

13. Follow the wiring instructions, see page 8.



ILL. 9

Wiring Diagram for 0637 Series Economizers (not Heat Pump) - CPECOMZR003A00 & CPECOMZR004A00



NOTES:

- 1 OPTIONAL LOW AMBIENT CONTROL TRANSFORMER IN HVAC UNIT.
- 2 POWER SUPPLY. DISCONNECT MEANS AND OVERLOAD PROTECTION AS REQUIRED.
- 3 MUST BE INSTALLED ON SUPPLY AIR FAN. 3000 OHM AT 25 C, 77 F
- 4 REMOVE JUMPER WHEN OPTIONAL REMOTE POTENTIOMETER IS USED
- 5 1S IS AN ELECTRONIC SWITCH WHICH CLOSES WHEN RELAY 1K & 2K ACTUATE WHEN THE OUTSIDE AIR SENSED BY THE ENTHALPY OR DRY BULB IS LOWER THAN THE SET POINT A-D.
- 6 FACTORY INSTALLED 620 OHM; 1 WATT, 5% RESISTOR SHOULD BE REMOVED ONLY IF A SENSOR IS ADDED TO SR AND + FOR DIFFERENTIAL CHANGE-OVER.
- 7 RESISTOR ONLY REQUIRED FOR FIXED DRY BULB.

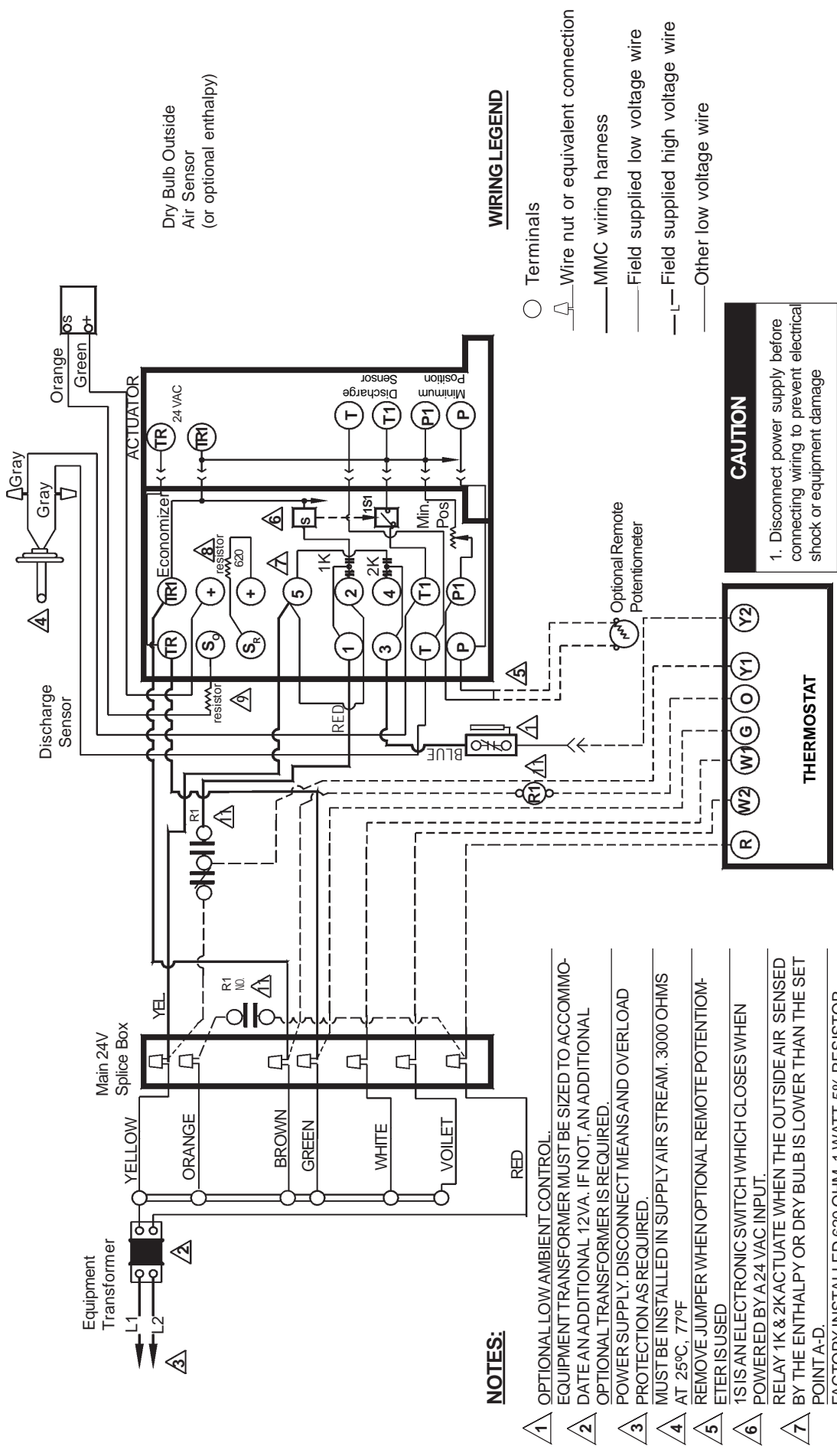
WIRING LEGEND

- Terminals
- Wire nut of equivalent connection
- MMC wiring harness
- Field supplied low voltage wire
- L — Field supplied high voltage wire
- Other low voltage wire
- Ⓞ Compressor control
- Ⓞ Indoor fan control
- Ⓞ Gas / Electric heat control

CAUTION

1. Disconnect power supply before connecting wiring to prevent electrical shock or equipment damage

Wiring Diagram For 0637 Series Economizers with Heat Pump

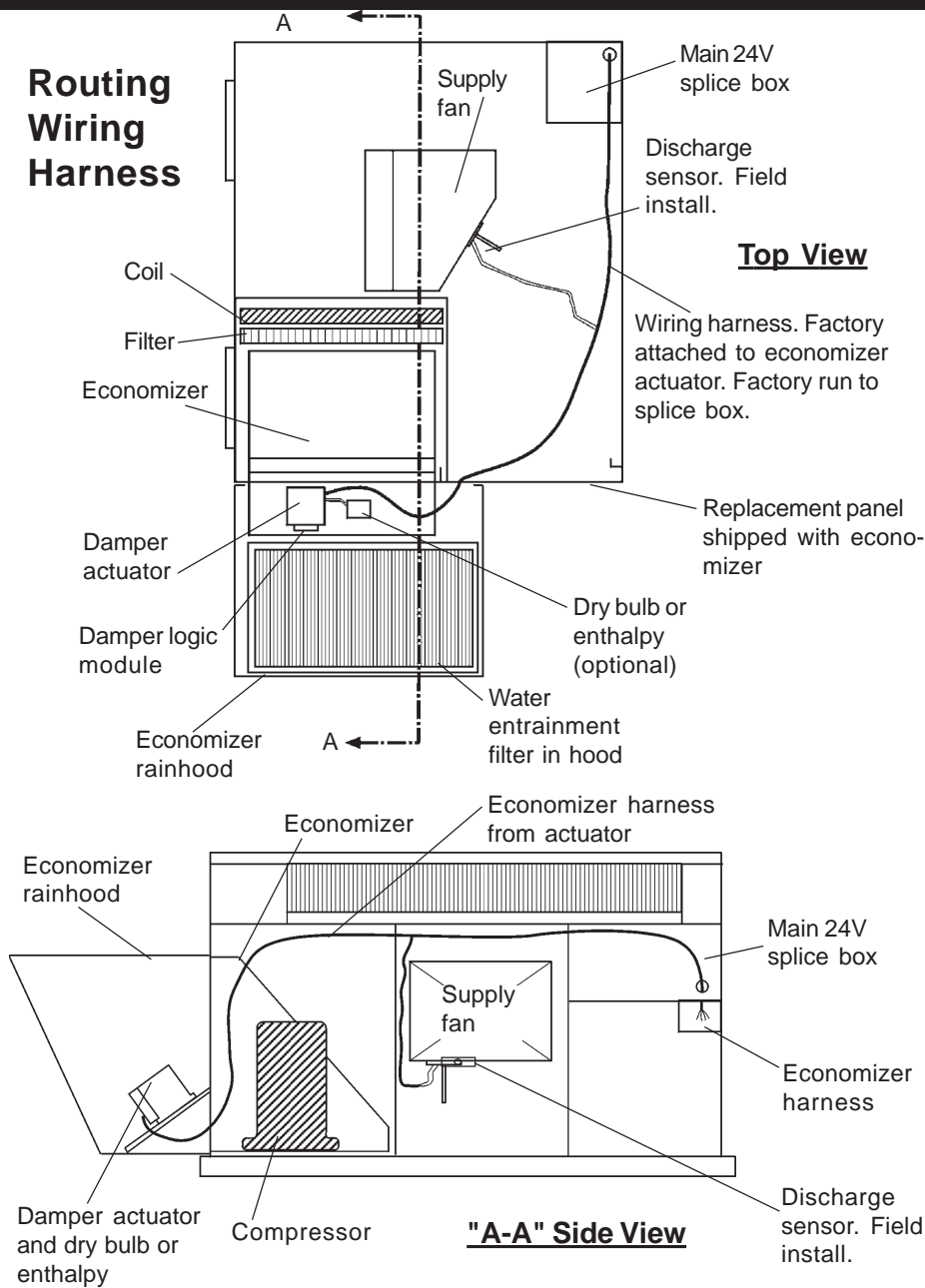


NOTES:

1. OPTIONAL LOW AMBIENT CONTROL. EQUIPMENT TRANSFORMER MUST BE SIZED TO ACCOMMODATE AN ADDITIONAL 12VA. IF NOT, AN ADDITIONAL OPTIONAL TRANSFORMER IS REQUIRED.
2. POWER SUPPLY. DISCONNECT MEANS AND OVERLOAD PROTECTION AS REQUIRED.
3. MUST BE INSTALLED IN SUPPLY AIR STREAM. 3000 OHMS AT 25°C, 77°F
4. REMOVE JUMPER WHEN OPTIONAL REMOTE POTENTIOMETER IS USED
5. 1S IS AN ELECTRONIC SWITCH WHICH CLOSSES WHEN POWERED BY A 24 VAC INPUT.
6. RELAY 1K & 2K ACTUATE WHEN THE OUTSIDE AIR SENSED BY THE ENTHALPY OR DRY BULB IS LOWER THAN THE SET POINT A-D.
7. FACTORY INSTALLED 620 OHM, 1 WATT, 5% RESISTOR SHOULD BE REMOVED ONLY IF AN ENTHALPY OR ADJUSTABLE DRY BULB SENSOR IS ADDED TO SR AND + FOR DIFFERENTIAL.
8. RESISTOR ONLY REQUIRED FOR FIXED DRY BULB.
9. R1- RELAY IS FIELD SUPPLIED AND FIELD INSTALLED MOUNT RELAY IN CONTROL BOX. ABOVE INDOOR FAN RELAY.
- 11.

ECONOMIZER CONTROLS INSTALLATION

Routing Wiring Harness



ACCESSORY SLIDE-IN ECONOMIZER CONTROL INSTALLATION.

1. Unpackage economizer.
2. Install accessory in unit per installation instructions provided.
3. Remove parts bag and instructions from inside of accessory.
4. Install the discharge sensor in the supply fan section. The sensor must protrude into the supply air stream.
5. Uncoil the wiring harness. Connect the two gray wires of the harness to the discharge sensor leads using the two wire nuts provided.
6. Route the remainder of the wire harness through the unit to the main 24V splice box.
7. Mount thermostat downstairs per the manufacturer's instructions. Run proper wire from the thermostat to the unit control panel.
8. Review the MicroMetl wiring diagram from this booklet. Connect unit, wire from the thermostat and harness from the economizer, together to match the diagram.
9. Follow start-up instructions below.
10. Adjust change over setpoint on logic module.
11. Adjust minimum position set point on logic module.

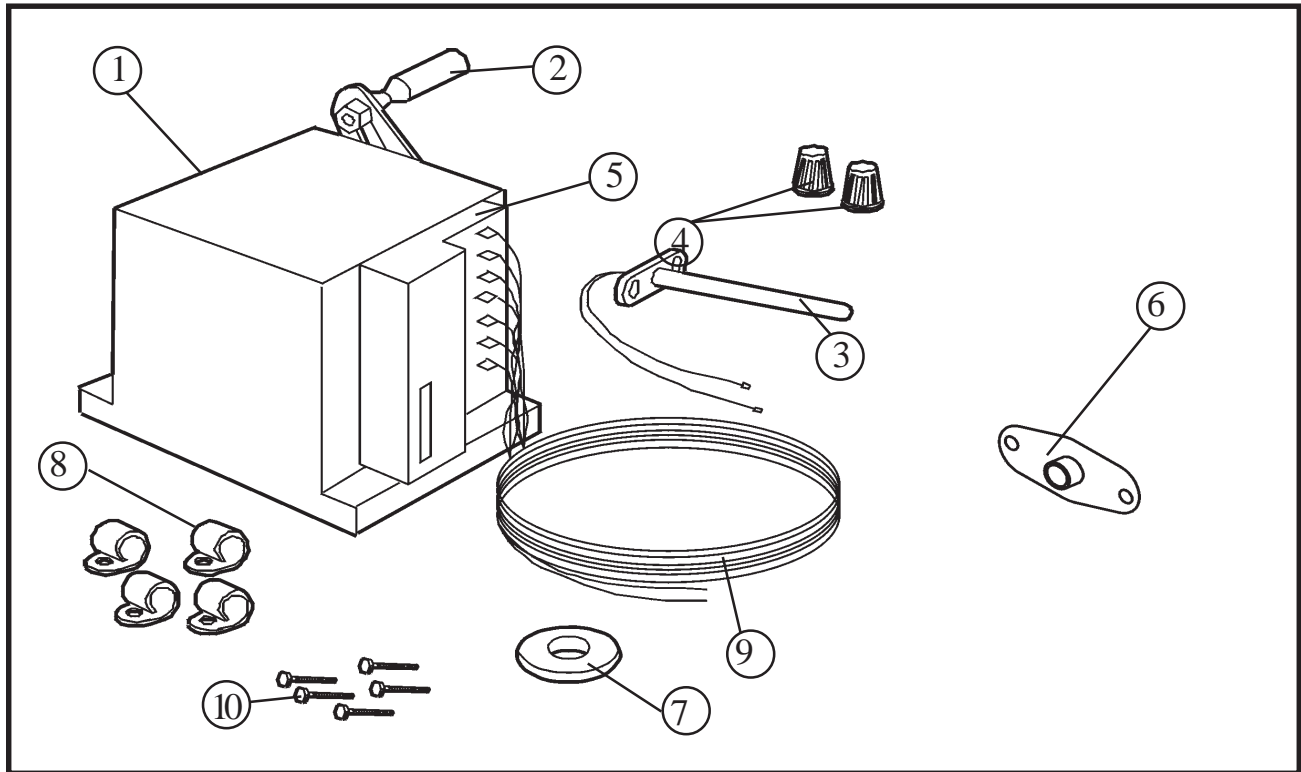
START-UP INSTRUCTIONS

1. After unit is wired begin start-up procedures.
2. Set thermostat functions to OFF. Set comfort levels to minimum cool and minimum heat.
3. Turn unit power on following manufacturer's start up instructions.
4. Turn thermostat fan function to ON. Unit indoor blower should start and damper motor will drive to minimum vent position. Minimum vent position should be adjusted on the economizer logic for the proper percentage of outdoor air.
5. Switch the thermostat function from OFF to HEAT or AUTO. Bring the comfort setpoint for heat up to engage first stage heating. Follow manufacturer's procedures to check heating cycle. Bring the comfort setpoint for heat up to engage second stage heating if available. Check this heating cycle also.
6. Under no circumstance should the economizer operate in a heating mode except for minimum vent position.
7. Change the thermostat function from HEAT to COOL or leave in AUTO. Drop the comfort setpoint down to engage first stage call for cooling. The first stage cooling call travels to the economizer. If the outdoor air is above the A through D setpoint, (see chart on next page), the first stage mechanical cooling is brought on. As the comfort setpoint is reduced more there will be a second call for cooling which will bring on second stage mechanical cooling if available.
8. In the cooling mode if the outdoor air is below the setpoint, the first stage call for cooling will open the economizer. As the comfort setpoint is reduced more there will be a second call for cooling. This call will bring on the first stage mechanical cooling to back up the economizer.
9. Once all stages have been cycled, and all adjustments made return thermostat to its proper operating mode, replace all doors, panels and hoods.
10. Leave a copy of these instructions with the customer.

System Description

These instructions are for fully modulating electronically controlled economizers utilizing solid state logic throughout. A standard single or

(recommended) two stage thermostat is all that is needed to complete the control and economizer system for the HVAC equipment.



Component Description

1. Damper actuator ... 9901-0083 provides 24v modulating control of economizer dampers, 25 in. lb. of torque. (Honeywell M7415A-1006)
2. Ball joint for linkage connection.
3. Discharge sensor ... 9901-0001 provides a signal (3000 Ohms at 25°C or 77°F) to the actuator during free cooling or economizer mode. The signal opens the economizer damper until the discharge temperature drops below 55°. At this time the signal causes the motor to modulate the damper and mix outside air with return air to maintain a 50° F. to 56° F. discharge temperature.
4. Wire nuts to connect discharge sensor to the harness.
5. Economizer logic ... 9901-0017 accepts input from discharge sensor and outside air sensor. Analyzes input to control actuator modulation and economizer switching. Logic also houses minimum position adjustment and enthalpy or adjustable dry bulb adjustment. When used with optional differential sensors in the return air, the logic is capable of selecting the most economical air available for cooling. (Honeywell W7459A-1001)
6. Dry bulb...9901-0183 senses temperature of outside air and provides signal to the economizer logic. Opens outside air at 60°, closes outside air at 70° (enthalpy optional).
7. 5/8" grommet fits 5/8" hole that wires may pass through to keep from chaffing.
8. Wire clamps to secure wires to base, dividers, etc..
9. Wire harness color coded and pre-wired to actuator and economizer logic... 9962-0087.
10. 1/2" hex head screws to secure wire clamps.

MICROMETL INTEGRATED ECONOMIZERS

The purpose of an economizer is to use outdoor air for cooling, whenever possible, to reduce compressor operation.

The economizer system initially responds to a signal from the cooling thermostat and functions as a true first stage for cooling, while providing maximum fuel economy. The economizer is automatically locked out during the heating mode and holds the outdoor air damper at the minimum position settings.

During the occupied period, on a call for cooling, when outdoor air temperature or enthalpy (optional) conditions are low, the economizer actuator will proportion to maintain between 50° F and 56° F at thermistor discharge sensor.

If the mixed or discharge temperature is above 56° F, actuator will open to admit additional outdoor air until the temperature returns to the 50° to 56° F range. If the mixed or discharge air temperature is below 50° F, the actuator will proportion closed, shutting the outdoor air damper until the temperature returns to the 50° to 56° F range. During the occupied period, the actuator will not close past the minimum position.

If the fully open actuator cannot satisfy the space demand, mechanical cooling is sequenced on. During the unoccupied period, the actuator will override minimum position setting and drive fully closed. On a loss of power, the actuator will spring return fully closed.

When in heating operation, or when outdoor air temperature or enthalpy (optional) conditions are high, economizer operation is locked out, and actuator is held at minimum position.

The staging relay is used when the first stage compressors must provide mechanical cooling when assisting the economizer.

The staging relay can be omitted when the second stage compressors can be used to assist the economizer with mechanical cooling.

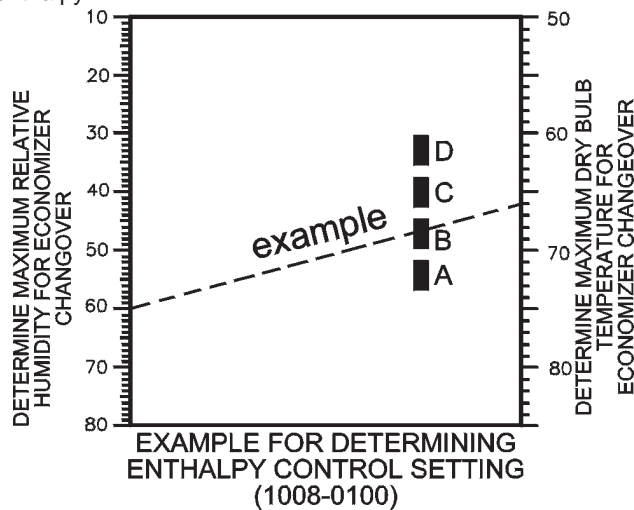
Minimum Position Adjustment

The minimum position potentiometer keeps the outdoor air damper from closing completely during system operation to provide ventilation.

1. Make sure the factory installed jumper is in place across terminals P and P1.
2. If remote control of dampers is desired, connect the remote potentiometer to P and P₁ and turn it fully clockwise before adjusting the minimum position.
3. Connect 24V AC to system and adjust the potentiometer on the face of the logic module with a screwdriver for desired minimum position.

Enthalpy Changeover Setpoint (optional)

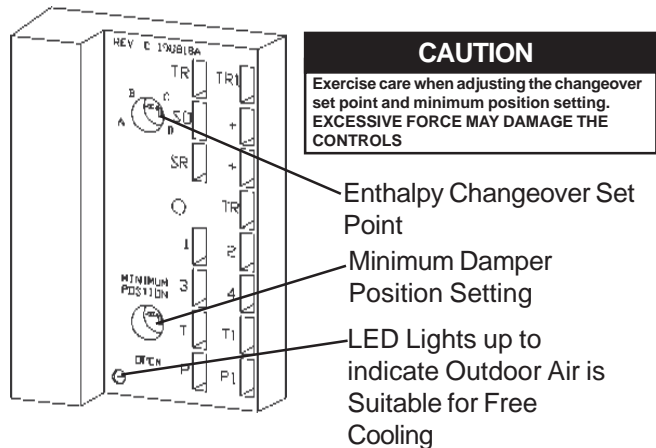
Single enthalpy: The enthalpy changeover setpoints is set to return the outdoor air damper to minimum position when the enthalpy rises above its set point. The enthalpy setpoint scale markings, located on W7459 are A,B,C,D as shown below. The factory-installed 620-ohm jumper must be in place across terminals + and S_R unless using differential enthalpy.



Differential Changeover Setting (optional)

Differential enthalpy control (optional) utilizes two enthalpy sensors connected to one W7459 Economizer Control. The enthalpy setpoint scale markings, located on the W7459, are A,B,C,D. Turn the setpoint potentiometer fully clockwise past the D setting. The economizer will select the air with lower enthalpy for cooling; i.e., if outdoor air has lower enthalpy than return air, then the outdoor air damper will be opened to bring in outdoor air for free cooling. The differential enthalpy connects to S_R and + on the W7959 logic.

Note: The C7650A adjustable dry bulb can also be used for differential change over. Only the temperature of the outdoor air and return air will be compared and the best selected for free cooling.



W7459 Logic Module

MicroMetl
Call Toll-Free: 1-800-662-4822
Fax: 1-317-543-5986

MicroMetl West
Call Toll-Free: 1-800-884-4662
Fax: 1-775-356-9184

MMC 3035 N. Shadeland Ave., Suite 300 Indianapolis, IN 46226 **MMC West** 202 South 18th St. Sparks, NV 89431

Manufacturer reserves the right to discontinue, or change at any time, specifications, designs and prices without notice and without incurring obligations. Form No. IIK 582A-18-17 / 48/50-106SI Catalog no. 534-80264 Copyright MicroMetl Corporation 2005. All rights reserved.