



RA14

Parts List
30-November-2018



*This parts list is current as of the above revision date.
See <http://www.rheempartslists.net/92-42801-RA14.pdf> for the current revision.*

Condensing Units

Table of Contents

Model Explanation	Page 3
Parts Numbers	
Panels (1)	Page 4
Panels (2)	Page 5
Panels (3)	Page 6
Panels (4)	Page 7
Electrical-Fan Group (1)	Page 8
Electrical-Fan Group (2)	Page 9
Electrical-Fan Group (3)	Page 10
Coil Parts (1)	Page 11
Coil Parts (2)	Page 12
Coil Parts (3)	Page 13
Compressor Group (1)	Page 14
Compressor Group (2)	Page 15
Compressor Group (3)	Page 16
Accessories (1)	Page 17
Accessories (2)	Page 18
Drawings/Photographs	
Exploded View	Page 19
Control Box (1)	Page 20
Control Box (2)	Page 20
Valve Mounting, Compressor	Page 21
Notes	Page 22

MODEL NUMBER EXPLANATION

R	A	1	4	1	8	A	J	1	N	A
1	2	3	4	5	6	7	8	9	0	1

- | | |
|-----------------------------------------------------------------------------------------------------------------------------------------------------------------------------------------------------------------------------------------------------------------------------------------------|---------------------------------------------------------------------------------------------------------------------------------------------------------------------------------------------------------------------------------------------------------------------------------------------------------------------------------------------------------------------------------------------------------------------------------------------------------|
| <p>(1) Brand</p> <p>(2) Product Category
A = Air Conditioner</p> <p>(3) Seer
14 = 14 SEER</p> <p>(4) COOLING CAPACITY (BTU/HR)
018 = 18,000
024 = 24,000
030 = 30,000
036 = 36,000
042 = 42,000
048 = 48,000
060 = 60,000</p> | <p>(5) MAJOR SERIES
A = First Design Series
B = Second Design Series
C = Third Design Series
W = Southwest Regional</p> <p>(6) VOLTAGE
J = 208-230/1/60
C = 208-230/3/60
D = 460/3/60
Y = 575/3/60</p> <p>(7) TYPE
1 = Single Stage</p> <p>(8) CONTROLS
N = Non-Communicating</p> <p>(9) MINOR SERIES
A = First Design Series
B = Second Design Series (LPC/HPC)</p> |
|-----------------------------------------------------------------------------------------------------------------------------------------------------------------------------------------------------------------------------------------------------------------------------------------------|---------------------------------------------------------------------------------------------------------------------------------------------------------------------------------------------------------------------------------------------------------------------------------------------------------------------------------------------------------------------------------------------------------------------------------------------------------|

SERIAL NUMBER EXPLANATION

W	0	8	1	3	9	9	9	9
(1)	(2)	(3)	(4)					

- (1) **PLANT CODE**
W = West Nuevo Laredo
- (2) **WEEK OF PRODUCTION**
- (3) **YEAR OF PRODUCTION**
- (4) **PRODUCTION NUMBER**

Note: For Compressor Identification Number, see Compressor Code on Rating Plate

No.	Notes	MODEL COOLING CAPACITY VARIATION	RA14 18 AJ1NA/B	RA14 24 AJ1NA/B	RA14 30 AJ1NA/B	RA14 36 AC1NB	RA14 36 AJ1NA/B	RA14 42 AC1NB	
SHEET METAL PARTS, MISCELLANEOUS									
1		Front Panel	AE-104456-07	AE-104456-07	AE-104456-01	AE-104456-03	AE-104456-03	AE-104456-05	
2		Left Panel (Badge Panel)	AE-104456-09	AE-104456-09	AE-104456-12	AE-104456-21	AE-104456-21	AE-104456-34	
3		Back Panel	AE-104456-08	AE-104456-08	AE-104456-02	AE-104456-04	AE-104456-04	AE-104456-63	
4		Right Panel	AE-104456-10	AE-104456-07	AE-104456-01	AE-104456-03	AE-104456-03	AE-104456-05	
5		Base Pan	68-104457-01	68-104457-01	68-104457-01	68-104457-02	68-104457-02	68-104457-03	
6		Control Box - Before W1017	AE-104461-01	AE-104461-01	AE-104461-01	AE-104461-01	AE-104461-01	AE-104461-01	
6		Control Box - On or After W1017	AE-104461-05	AE-104461-05	AE-104461-05	AE-104461-05	AE-104461-05	AE-104461-05	
7		Control Box Cover	AS-104462-01H	AS-104462-01H	AS-104462-01H	AS-104462-01H	AS-104462-01H	AS-104462-01H	
8		Control Box Bracket	AS-104460-01H	AS-104460-01H	AS-104460-02H	AS-104460-02H	AS-104460-02H	AS-104460-02H	
9		Service Door	AS-104525-01H	AS-104525-01H	AS-104525-01H	AS-104525-01H	AS-104525-01H	AS-104525-01H	
10		Center Post (2)	AS-104459-01H	AS-104459-01H	AS-104459-03H	AS-104459-03H	AS-104459-03H	AS-104459-03H	
12		Corner Post - Solid	AS-104469-08H (1)	N/A	N/A	N/A	N/A	N/A	
12		Corner Post - Louvered	AS-104469-01H (2)	AS-104469-01H (3)	AS-104469-02H (3)	AS-104469-02H (3)	AS-104469-02H (3)	AS-104469-02H (3)	
13		Top Panel	AS-104458-01H	AS-104458-01H	AS-104458-01H	AS-104458-02H	AS-104458-02H	AS-104458-03H	
14		Venturi	68-104464-02	68-104464-02	68-104464-02	68-104464-04	68-104464-04	68-104464-05	
15		Grille	95-104620-01	95-104620-01	95-104620-01	95-104620-02	95-104620-02	95-104620-03	
		Center Cap - Blank (for Grille)	91-101123-00	91-101123-00	91-101123-00	91-101123-00	91-101123-00	91-101123-00	
		Service Valve - Suction	See Coil Group						
		Service Valve - Liquid	See Coil Group						
		Touch-up Paint - Granite/Steel Gray (Aerosol)	PD523018	PD523018	PD523018	PD523018	PD523018	PD523018	
		Touch-up Paint - Granite/Steel Gray (Paint Pens)	PD523019	PD523019	PD523019	PD523019	PD523019	PD523019	

No.	Notes	MODEL COOLING CAPACITY VARIATION	RA14 42 AJ1NA/B	RA14 48 AC1NB	RA14 48 AJ1NA/B	RA14 60 AC1NB	RA14 60 AJ1NA/B	
SHEET METAL PARTS, MISCELLANEOUS								
1		Front Panel	AE-104456-05	AE-104456-35	AE-104456-35	AE-104456-38	AE-104456-38	
2		Left Panel (Badge Panel)	AE-104456-34	AE-104456-37	AE-104456-37	AE-104456-40	AE-104456-40	
3		Back Panel	AE-104456-63	AE-104456-36	AE-104456-36	AE-104456-39	AE-104456-39	
4		Right Panel	AE-104456-05	AE-104456-35	AE-104456-35	AE-104456-38	AE-104456-38	
5		Base Pan	68-104457-03	68-104457-03	68-104457-03	68-104457-03	68-104457-03	
6		Control Box - Before W1017	AE-104461-01	AE-104461-01	AE-104461-01	AE-104461-01	AE-104461-01	
6		Control Box - On or After W1017	AE-104461-05	AE-104461-05	AE-104461-05	AE-104461-05	AE-104461-05	
7		Control Box Cover	AS-104462-01H	AS-104462-01H	AS-104462-01H	AS-104462-01H	AS-104462-01H	
8		Control Box Bracket	AS-104460-02H	AS-104460-03H	AS-104460-03H	AS-104460-04H	AS-104460-04H	
9		Service Door	AS-104525-01H	AS-104525-01H	AS-104525-01H	AS-104525-01H	AS-104525-01H	
10		Center Post (2)	AS-104459-03H	AS-104459-05H	AS-104459-05H	AS-104459-07H	AS-104459-07H	
12		Corner Post - Solid	N/A	N/A	N/A	N/A	N/A	
12		Corner Post - Louvered	AS-104469-02H (3)	AS-104469-03H (3)	AS-104469-03H (3)	AS-104469-04H (3)	AS-104469-04H (3)	
13		Top Panel	AS-104458-03H	AS-104458-03H	AS-104458-03H	AS-104458-03H	AS-104458-03H	
14		Venturi	68-104464-05	68-104464-05	68-104464-05	68-104464-05	68-104464-05	
15		Grille	95-104620-03	95-104620-03	95-104620-03	95-104620-03	95-104620-03	
		Center Cap - Blank (for Grille)	91-101123-00	91-101123-00	91-101123-00	91-101123-00	91-101123-00	
		Service Valve - Suction	See Coil Group					
		Service Valve - Liquid	See Coil Group					
		Touch-up Paint - Granite/Steel Gray (Aerosol)	PD523018	PD523018	PD523018	PD523018	PD523018	
		Touch-up Paint - Granite/Steel Gray (Paint Pens)	PD523019	PD523019	PD523019	PD523019	PD523019	

No.	Notes	MODEL COOLING CAPACITY VARIATION	RA14 36 AD1NB	RA14 42 AD1NB			RA14 48 AD1NB	RA14 60 AD1NB
SHEET METAL PARTS, MISCELLANEOUS								
1		Front Panel	AE-104456-03	AE-104456-05			AE-104456-35	AE-104456-38
2		Left Panel (Badge Panel)	AE-104456-21	AE-104456-34			AE-104456-37	AE-104456-40
3		Back Panel	AE-104456-04	AE-104456-63			AE-104456-36	AE-104456-39
4		Right Panel	AE-104456-03	AE-104456-05			AE-104456-35	AE-104456-38
5		Base Pan	68-104457-02	68-104457-03			68-104457-03	68-104457-03
6		Control Box - Before W1017	AE-104461-01	AE-104461-01			AE-104461-01	AE-104461-01
6		Control Box - On or After W1017	AE-104461-05	AE-104461-05			AE-104461-05	AE-104461-05
7		Control Box Cover	AS-104462-01H	AS-104462-01H			AS-104462-01H	AS-104462-01H
8		Control Box Bracket	AS-104460-02H	AS-104460-02H			AS-104460-03H	AS-104460-04H
9		Service Door	AS-104525-01H	AS-104525-01H			AS-104525-01H	AS-104525-01H
10		Center Post (2)	AS-104459-03H	AS-104459-03H			AS-104459-05H	AS-104459-07H
12		Corner Post - Louvered (3)	AS-104469-02H (3)	AS-104469-02H (3)			AS-104469-03H (3)	AS-104469-04H (3)
13		Top Panel	AS-104458-02H	AS-104458-03H			AS-104458-03H	AS-104458-03H
14		Venturi	68-104464-04	68-104464-05			68-104464-05	68-104464-05
15		Grille	95-104620-02	95-104620-03			95-104620-03	95-104620-03
		Center Cap - Blank (for Grille)	91-101123-00	91-101123-00			91-101123-00	91-101123-00
		Service Valve - Suction	See Coil Group					
		Service Valve - Liquid	See Coil Group					
		Touch-up Paint - Granite/Steel Gray (Aerosol)	PD523018	PD523018			PD523018	PD523018
		Touch-up Paint - Granite/Steel Gray (Paint Pens)	PD523019	PD523019			PD523019	PD523019

No.	Notes	MODEL COOLING CAPACITY VARIATION	RA14 42 BC1NB	RA14 42 BJ1NA	RA14 42 BJ1NB	RA14 60 BC1NB	RA14 60 BJ1NA	RA14 60 BJ1NB
SHEET METAL PARTS, MISCELLANEOUS								
1		Front Panel	AE-104456-22	AE-104456-22	AE-104456-22	AE-104456-49	AE-104456-49	AE-104456-49
2		Left Panel (Badge Panel)	AE-104456-24	AE-104456-24	AE-104456-24	AE-104456-58	AE-104456-58	AE-104456-58
3		Back Panel	AE-104456-23	AE-104456-23	AE-104456-23	AE-104456-50	AE-104456-50	AE-104456-50
4		Right Panel	AE-104456-22	AE-104456-22	AE-104456-22	AE-104456-49	AE-104456-49	AE-104456-49
5		Base Pan	68-104457-02	68-104457-02	68-104457-02	68-104457-03	68-104457-03	68-104457-03
6		Control Box - Before W1017	AE-104461-01	AE-104461-01	AE-104461-01	N/A	N/A	N/A
6		Control Box - On or After W1017	AE-104461-05	AE-104461-05	AE-104461-05	AE-104461-05	AE-104461-05	AE-104461-05
7		Control Box Cover	AS-104462-01H	AS-104462-01H	AS-104462-01H	AS-104462-01H	AS-104462-01H	AS-104462-01H
8		Control Box Bracket	AS-104460-03H	AS-104460-03H	AS-104460-03H	AS-104460-11H	AS-104460-11H	AS-104460-11H
9		Service Door	AS-104525-01H	AS-104525-01H	AS-104525-01H	AS-104525-01H	AS-104525-01H	AS-104525-01H
10		Center Post (2)	AS-104459-05H	AS-104459-05H	AS-104459-05H	AS-104459-13H	AS-104459-13H	AS-104459-13H
12		Corner Post - Solid	N/A	N/A	N/A	N/A	N/A	N/A
12		Corner Post - Louvered (3)	AS-104469-03H	AS-104469-03H	AS-104469-03H	AS-104469-07H	AS-104469-07H	AS-104469-07H
13		Top Panel	AS-104458-02H	AS-104458-02H	AS-104458-02H	AS-104458-03H	AS-104458-03H	AS-104458-03H
14		Venturi	68-104464-04	68-104464-04	68-104464-04	68-104464-07	68-104464-07	68-104464-07
15		Grille	95-104620-02	95-104620-02	95-104620-02	95-104620-03	95-104620-03	95-104620-03
		Center Cap - Blank (for Grille)	91-105471-01	91-105471-01	91-105471-01	91-105471-01	91-105471-01	91-105471-01
		Service Valve - Suction	See Coil Group					
		Service Valve - Liquid	See Coil Group					
		Touch-up Paint - Granite/Steel Gray (Aerosol)	PD523018	PD523018	PD523018	PD523018	PD523018	PD523018
		Touch-up Paint - Granite/Steel Gray (Paint Pens)	PD523019	PD523019	PD523019	PD523019	PD523019	PD523019

No.	Notes	MODEL COOLING CAPACITY VARIATION	RA14 42 CC1NB	RA14 42 CJ1NA	RA14 42 CJ1NB			
SHEET METAL PARTS, MISCELLANEOUS								
1		Front Panel	AE-104456-25	AE-104456-25	AE-104456-25			
2		Left Panel (Badge Panel)	AE-104456-41	AE-104456-41	AE-104456-41			
3		Back Panel	AE-104456-26	AE-104456-26	AE-104456-26			
4		Right Panel	AE-104456-25	AE-104456-25	AE-104456-25			
5		Base Pan	68-104457-02	68-104457-02	68-104457-02			
6		Control Box	AE-104461-05	AE-104461-05	AE-104461-05			
7		Control Box Cover	AS-104462-01H	AS-104462-01H	AS-104462-01H			
8		Control Box Bracket	AS-104460-04H	AS-104460-04H	AS-104460-04H			
9		Service Door	AS-104525-01H	AS-104525-01H	AS-104525-01H			
10		Center Post (2)	AS-104459-07H	AS-104459-07H	AS-104459-07H			
12		Corner Post - Louvered (3)	AS-104469-04H	AS-104469-04H	AS-104469-04H			
13		Top Panel	AS-104458-02H	AS-104458-02H	AS-104458-02H			
14		Venturi	68-104464-04	68-104464-04	68-104464-04			
15		Grille	95-104620-02	95-104620-02	95-104620-02			
		Center Cap - Blank (for Grille)	91-105471-01	91-105471-01	91-105471-01			
		Service Valve - Suction	See Coil Group					
		Service Valve - Liquid	See Coil Group					
		Touch-up Paint - Granite/Steel Gray (Aerosol)	PD523018	PD523018	PD523018			
		Touch-up Paint - Granite/Steel Gray (Paint Pens)	PD523019	PD523019	PD523019			

No.	Notes	MODEL COOLING CAPACITY VARIATION	RA14 18 WJ1NA/B	RA14 24 WJ1NA/B	RA14 30 WJ1NA/B	RA14 36 WC1NB	RA14 36 WJ1NA/B	RA14 42 WC1NB
SHEET METAL PARTS, MISCELLANEOUS								
1		Front Panel	AE-104456-01	AE-104456-07	AE-104456-15	AE-104456-22	AE-104456-22	AE-104456-25
2		Left Panel (Badge Panel)	AE-104456-12	AE-104456-09	AE-104456-17	AE-104456-24	AE-104456-24	AE-104456-41
3		Back Panel	AE-104456-02	AE-104456-08	AE-104456-16	AE-104456-23	AE-104456-23	AE-104456-26
4		Right Panel	AE-104456-13	AE-104456-07	AE-104456-15	AE-104456-22	AE-104456-22	AE-104456-25
5		Base Pan	68-104457-01	68-104457-01	68-104457-01	68-104457-02	68-104457-02	68-104457-02
6		Control Box - Before W1017	AE-104461-01	AE-104461-01	AE-104461-01	AE-104461-01	AE-104461-01	AE-104461-01
6		Control Box - On or After W1017	AE-104461-05	AE-104461-05	AE-104461-05	AE-104461-05	AE-104461-05	AE-104461-05
7		Control Box Cover	AS-104462-01H	AS-104462-01H	AS-104462-01H	AS-104462-01H	AS-104462-01H	AS-104462-01H
8		Control Box Bracket	AS-104460-02H	AS-104460-01H	AS-104460-03H	AS-104460-03H	AS-104460-03H	AS-104460-04H
9		Service Door	AS-104525-01H	AS-104525-01H	AS-104525-01H	AS-104525-01H	AS-104525-01H	AS-104525-01H
10		Center Post (2)	AS-104459-03H	AS-104459-01H	AS-104459-05H	AS-104459-05H	AS-104459-05H	AS-104459-07H
12		Corner Post - Solid	AS-104469-09H (2)	N/A	N/A	N/A	N/A	N/A
12		Corner Post - Louvered	AS-104469-02H (1)	AS-104469-01H (3)	AS-104469-03H (3)	AS-104469-03H (3)	AS-104469-03H (3)	AS-104469-04H (3)
13		Top Panel	AS-104458-01H	AS-104458-01H	AS-104458-01H	AS-104458-02H	AS-104458-02H	AS-104458-02H
14		Venturi	68-104464-02	68-104464-02	68-104464-02	68-104464-04	68-104464-04	68-104464-04
15		Grille	95-104620-01	95-104620-01	95-104620-01	95-104620-02	95-104620-02	95-104620-02
		Center Cap - Blank (for Grille)	91-105471-01	91-105471-01	91-105471-01	91-105471-01	91-105471-01	91-105471-01
		Service Valve - Suction	See Coil Group					
		Service Valve - Liquid	See Coil Group					
		Touch-up Paint - Granite/Steel Gray (Aerosol)	PD523018	PD523018	PD523018	PD523018	PD523018	PD523018
		Touch-up Paint - Granite/Steel Gray (Paint Pens)	PD523019	PD523019	PD523019	PD523019	PD523019	PD523019

No.	Notes	MODEL COOLING CAPACITY VARIATION	RA14 42 WJ1NA/B					
SHEET METAL PARTS, MISCELLANEOUS								
1		Front Panel	AE-104456-25					
2		Left Panel (Badge Panel)	AE-104456-41					
3		Back Panel	AE-104456-26					
4		Right Panel	AE-104456-25					
5		Base Pan	68-104457-02					
6		Control Box - Before W1017	AE-104461-01					
6		Control Box - On or After W1017	AE-104461-05					
7		Control Box Cover	AS-104462-01H					
8		Control Box Bracket	AS-104460-04H					
9		Service Door	AS-104525-01H					
10		Center Post (2)	AS-104459-07H					
12		Corner Post - Solid	N/A					
12		Corner Post - Louvered	AS-104469-04H (3)					
13		Top Panel	AS-104458-02H					
14		Venturi	68-104464-04					
15		Grille	95-104620-02					
		Center Cap - Blank (for Grille)	91-105471-01					
		Service Valve - Suction	See Coil Group					
		Service Valve - Liquid	See Coil Group					
		Touch-up Paint - Granite/Steel Gray (Aerosol)	PD523018					
		Touch-up Paint - Granite/Steel Gray (Paint Pens)	PD523019					

No.	Notes	MODEL COOLING CAPACITY VARIATION	RA14 18 AJ1NA/B	RA14 24 AJ1NA/B	RA14 30 AJ1NA/B	RA14 36 AC1NB	RA14 36 AJ1NA/B	RA14 42 AC1NB
ELECTRICAL/FAN GROUP								
20	Stk	Fan Motor (before W1017)	51-101774-21	51-101774-23	51-101774-22	51-101774-02	51-101774-02	51-102008-07
20	Stk	Fan Motor (on or after W1017)	51-101774-21	51-101774-23	51-101774-22	51-101774-52	51-101774-52	51-101774-52
21	Stk	Fan Blade	70-101323-24	70-101323-37	70-101323-25	70-102011-12	70-102011-12	70-101323-27
22	Stk	Contacto	42-102664-05	42-102664-05	42-102664-05	42-102664-14	42-102664-05	42-102664-14
23		Capacitor	See Compressor Group					
23a		Capacitor Strap	AE-104562-01	AE-104562-01	AE-104562-01	AE-104562-01	AE-104562-01	AE-104562-01
25		Crankcase Heater	See Compressor Group					
26		Grounding Lug	45-19000-01	45-19000-01	45-19000-01	45-19000-01	45-19000-01	45-19000-01
		Low Ambient Control	See Accessories Group					
27	Stk	Low Pressure Control (Design Series 'B')	47-103670-08	47-103670-08	47-103670-08	47-103670-08	47-103670-08	47-103670-08
27a		Valve Body - Low Pressure Control	61-18542-01	61-18542-01	61-18542-01	61-18542-01	61-18542-01	61-18542-01
28	Stk	High Pressure Control (Design Series 'B')	47-102290-01	47-102290-01	47-102290-01	47-102290-01	47-102290-01	47-102290-01

No.	Notes	MODEL COOLING CAPACITY VARIATION	RA14 42 AJ1NA/B	RA14 48 AC1NB	RA14 48 AJ1NA/B	RA14 60 AC1NB	RA14 60 AJ1NA/B	
ELECTRICAL/FAN GROUP								
20	Stk	Fan Motor (before W1017)	51-102008-07	51-102008-07	51-102008-07	51-101774-12	51-101774-12	
20	Stk	Fan Motor (on or after W1017)	51-102008-34	51-101774-51	51-101774-51	51-101774-12	51-101774-12	
21	Stk	Fan Blade	70-101323-27	70-101323-27	70-101323-27	70-101323-28	70-101323-28	
22	Stk	Contacto	42-102664-05	42-102664-14	42-102664-10	42-102664-14	42-102664-10	
23		Capacitor	See Compressor Group					
23a		Capacitor Strap	AE-104562-01	AE-104562-01	AE-104562-01	AE-104562-01	AE-104562-01	
25		Crankcase Heater	See Accessories Group					
26		Grounding Lug	45-19000-01	45-19000-01	45-19000-01	45-19000-01	45-19000-01	
		Low Ambient Control	See Accessories Group					
27	Stk	Low Pressure Control (Design Series 'B')	47-103670-08	47-103670-08	47-103670-08	47-103670-08	47-103670-08	
27a		Valve Body - Low Pressure Control	61-18542-01	61-18542-01	61-18542-01	61-18542-01	61-18542-01	
28	Stk	High Pressure Control (Design Series 'B')	47-102290-01	47-102290-01	47-102290-01	47-102290-01	47-102290-01	

No.	Notes	MODEL COOLING CAPACITY VARIATION	RA14 36 AD1NB	RA14 42 AD1NB	RA14 48 AD1NB	RA14 60 AD1NB		
ELECTRICAL/FAN GROUP								
20	Stk	Fan Motor (Three-phase) - See Note 1	51-102008-24	N/A	51-102008-28	N/A		
20	Stk	Fan Motor (Single-phase) - See Note 1	51-101774-06	51-101774-38	51-101774-38	51-101774-34		
21	Stk	Fan Blade (Three-phase Motor) - See Note 1	70-102011-12	N/A	70-101323-27	N/A		
21	Stk	Fan Blade (Single-phase Motor) - See Note 1	70-102011-09	70-101323-27	70-101323-27	70-101323-28		
22	Stk	Contacto	42-102664-14	42-102664-14	42-102664-10	42-102664-14		
23		Capacitor - Fan (Single-phase Motor) - See Note 1	43-101666-65	43-101666-65	43-101666-65	43-101666-65		
23a		Capacitor Strap	AE-104562-01	AE-104562-01	AE-104562-01	AE-104562-01		
25		Crankcase Heater	See Accessories Group					
26		Grounding Lug	45-19000-01	45-19000-01	45-19000-01	45-19000-01		
		Low Ambient Control	See Accessories Group					
27	Stk	Low Pressure Control (Design Series 'B')	47-103670-08	47-103670-08	47-103670-08	47-103670-08		
27a		Valve Body - Low Pressure Control	61-18542-01	61-18542-01	61-18542-01	61-18542-01		
28	Stk	High Pressure Control (Design Series 'B')	47-102290-01	47-102290-01	47-102290-01	47-102290-01		

No.	Notes	MODEL COOLING CAPACITY VARIATION	RA14	RA14	RA14	RA14	RA14	RA14
			42 BC1NB	42 BJ1NA	42 BJ1NB	60 BC1NB	60 BJ1NA	60 BJ1NB
ELECTRICAL/FAN GROUP								
20	Stk	Fan Motor	51-104691-04	51-104691-04	51-104691-04	51-106394-03	51-106394-03	51-106394-03
21	Stk	Fan Blade	70-102011-09	70-102011-09	70-102011-09	70-101323-29	70-101323-29	70-101323-29
22	Stk	Contactora	42-102664-14	42-102664-05	42-102664-05	42-102664-14	42-102664-10	42-102664-10
23		Capacitor	See Compressor Group					
23a		Capacitor Strap	AE-104562-01	AE-104562-01	AE-104562-01	N/A	AE-104562-01	AE-104562-01
25		Crankcase Heater	See Accessories Group					
26		Grounding Lug	45-19000-01	45-19000-01	45-19000-01	45-19000-01	45-19000-01	45-19000-01
		Low Ambient Control	See Accessories Group					
27	Stk	Low Pressure Control (Design Series 'B')	47-103670-08	N/A	47-103670-08	47-103670-08	N/A	47-103670-08
27a		Valve Body - Low Pressure Control	61-18542-01	61-18542-01	61-18542-01	61-18542-01	61-18542-01	61-18542-01
28	Stk	High Pressure Control (Design Series 'B')	47-102290-01	N/A	47-102290-01	47-102290-01	N/A	47-102290-01

No.	Notes	MODEL COOLING CAPACITY VARIATION	RA14	RA14	RA14			
			42 CC1NB	42 CJ1NA	42 CJ1NB			
ELECTRICAL/FAN GROUP								
20	Stk	Fan Motor	51-101774-51	51-101774-51	51-101774-51			
21	Stk	Fan Blade	70-101323-30	70-101323-30	70-101323-30			
22	Stk	Contactora	42-102664-14	42-102664-05	42-102664-05			
23		Capacitor	See Compressor Group					
23a		Capacitor Strap	AE-104562-01	AE-104562-01	AE-104562-01			
25		Crankcase Heater	See Accessories Group					
26		Grounding Lug	45-19000-01	45-19000-01	45-19000-01			
		Low Ambient Control	See Accessories Group					
27	Stk	Low Pressure Control (Design Series 'B')	47-103670-08	N/A	47-103670-08			
27a		Valve Body - Low Pressure Control	61-18542-01	61-18542-01	61-18542-01			
28	Stk	High Pressure Control (Design Series 'B')	47-102290-01	N/A	47-102290-01			

No.	Notes	MODEL COOLING CAPACITY VARIATION	RA14 18 WJ1NA/B	RA14 24 WJ1NA/B	RA14 30 WJ1NA/B	RA14 36 WC1NB	RA14 36 WJ1NA/B	RA14 42 WC1NB
ELECTRICAL/FAN GROUP								
20	Stk	Fan Motor (before W1017)	51-101774-21	51-101774-23	51-102008-17	51-102008-20	51-102008-20	51-102008-25
20	Stk	Fan Motor (on or after W1017)	51-101774-21	51-101774-23	51-102008-17	51-101774-52	51-101774-52	51-101774-51
21	Stk	Fan Blade	70-101323-24	70-101323-37	70-101323-25	70-102011-12	70-102011-12	70-101323-30
22	Stk	Contactora	42-102664-05	42-102664-05	42-102664-05	42-102664-14	42-102664-05	42-102664-14
23		Capacitor	See Compressor Group					
23a		Capacitor Strap	AE-104562-01	AE-104562-01	AE-104562-01	AE-104562-01	AE-104562-01	AE-104562-01
25		Crankcase Heater	See Compressor Group					
26		Grounding Lug	45-19000-01	45-19000-01	45-19000-01	45-19000-01	45-19000-01	45-19000-01
		Low Ambient Control	See Accessories Group					
27	Stk	Low Pressure Control (Design Series 'B')	47-103670-08	47-103670-08	47-103670-08	47-103670-08	47-103670-08	47-103670-08
27a		Valve Body - Low Pressure Control	61-18542-01	61-18542-01	61-18542-01	61-18542-01	61-18542-01	61-18542-01
28	Stk	High Pressure Control (Design Series 'B')	47-102290-01	47-102290-01	47-102290-01	47-102290-01	47-102290-01	47-102290-01

No.	Notes	MODEL COOLING CAPACITY VARIATION	RA14 42 WJ1NA/B					
ELECTRICAL/FAN GROUP								
20	Stk	Fan Motor (before W1017)	51-102008-25					
20	Stk	Fan Motor (on or after W1017)	51-101774-51					
21	Stk	Fan Blade	70-101323-30					
22	Stk	Contactora	42-102664-05					
23		Capacitor	See Compressor Group					
23a		Capacitor Strap	AE-104562-01					
25		Crankcase Heater	See Compressor Group					
26		Grounding Lug	45-19000-01					
		Low Ambient Control	See Accessories Group					
27	Stk	Low Pressure Control (Design Series 'B')	47-103670-08					
27a		Valve Body - Low Pressure Control	61-18542-01					
28	Stk	High Pressure Control (Design Series 'B')	47-102290-01					

No.	Notes	MODEL COOLING CAPACITY VARIATION	RA14 18 AJ1NA/B	RA14 24 AJ1NA/B	RA14 30 AJ1NA/B	RA14 36 AC1NB	RA14 36 AJ1NA/B	RA14 42 AC1NB	
COIL GROUP									
30	Stk	Condenser Coil	AS-104738-03	AS-104750-03	AS-104889-03	AS-104916-03	AS-104916-03	AS-104917-03	
31		Service Valve - Suction	61-104914-03	61-104914-03	61-104914-03	61-104914-03	61-104914-03	61-104914-04	
32		Service Valve - Liquid	61-104914-01	61-104914-01	61-104914-01	61-104914-01	61-104914-01	61-104914-01	
33a		Valve Core	61-18551-01	61-18551-01	61-18551-01	61-18551-01	61-18551-01	61-18551-01	
33b		Valve Cap	83-100635-01	83-100635-01	83-100635-01	83-100635-01	83-100635-01	83-100635-01	
27	Stk	Low Pressure Control	See Electrical Group						
28	Stk	High Pressure Control	See Electrical Group						
	Stk	Filter Drier	83-22755-12	83-22755-12	83-22755-12	83-22755-12	83-22755-12	83-22755-12	

No.	Notes	MODEL COOLING CAPACITY VARIATION	RA14 42 AJ1NA/B	RA14 48 AC1NB	RA14 48 AJ1NA/B	RA14 60 AC1NB	RA14 60 AJ1NA/B		
COIL GROUP									
30	Stk	Condenser Coil	AS-104917-03	AS-104918-03	AS-104918-03	AS-104919-03	AS-104919-03		
31		Service Valve - Suction	61-104914-04	61-104914-04	61-104914-04	61-104914-04	61-104914-04		
32		Service Valve - Liquid	61-104914-01	61-104914-01	61-104914-01	61-104914-01	61-104914-01		
33a		Valve Core	61-18551-01	61-18551-01	61-18551-01	61-18551-01	61-18551-01		
33b		Valve Cap	83-100635-01	83-100635-01	83-100635-01	83-100635-01	83-100635-01		
27	Stk	Low Pressure Control	See Electrical Group						
28	Stk	High Pressure Control	See Electrical Group						
	Stk	Filter Drier	83-22755-12	83-22755-12	83-22755-12	83-22755-12	83-22755-12		

No.	Notes	MODEL COOLING CAPACITY VARIATION	RA14 36 AD1NB	RA14 42 AD1NB	RA14 48 AD1NB	RA14 60 AD1NB			
COIL GROUP									
30	Stk	Condenser Coil	AS-104916-03	AS-104917-03	AS-104918-03	AS-104919-03			
31		Service Valve - Suction	61-104914-03	61-104914-04	61-104914-04	61-104914-04			
32		Service Valve - Liquid	61-104914-05	61-104914-05	61-104914-05	61-104914-05			
33a		Valve Core	61-18551-01	61-18551-01	61-18551-01	61-18551-01			
33b		Valve Cap	83-100635-01	83-100635-01	83-100635-01	83-100635-01			
27	Stk	Low Pressure Control	See Electrical Group						
28	Stk	High Pressure Control	See Electrical Group						
	Stk	Filter Drier	83-22755-06	83-22755-06	83-22755-06	83-22755-06			

No.	Notes	MODEL COOLING CAPACITY VARIATION	RA14 42 BC1NB	RA14 42 BJ1NA	RA14 42 BJ1NB	RA14 60 BC1NB	RA14 60 BJ1NA	RA14 60 BJ1NB
COIL GROUP								
30	Stk	Condenser Coil	AS-105512-03	AS-105512-03	AS-105512-03	AS-105373-03	AS-105373-03	AS-105373-03
31		Service Valve - Suction	61-105049-04	61-105049-04	61-105049-04	61-104914-04	61-104914-04	61-104914-04
32		Service Valve - Liquid	61-104914-05	61-104914-05	61-104914-05	61-104914-05	61-104914-05	61-104914-05
33a		Valve Core	61-18551-01	61-18551-01	61-18551-01	61-18551-01	61-18551-01	61-18551-01
33b		Valve Cap	83-100635-01	83-100635-01	83-100635-01	83-100635-01	83-100635-01	83-100635-01
27	Stk	Low Pressure Control	See Electrical Group					
28	Stk	High Pressure Control	See Electrical Group					
	Stk	Filter Drier	83-22755-06	83-22755-06	83-22755-06	83-22755-06	83-22755-06	83-22755-06

No.	Notes	MODEL COOLING CAPACITY VARIATION	RA14 42 CC1NB	RA14 42 CJ1NA	RA14 42 CJ1NB			
COIL GROUP								
30	Stk	Condenser Coil	AS-105634-03	AS-105634-03	AS-105634-03			
31		Service Valve - Suction	61-104914-04	61-104914-04	61-104914-04			
32		Service Valve - Liquid	61-104914-05	61-104914-05	61-104914-05			
33a		Valve Core	61-18551-01	61-18551-01	61-18551-01			
33b		Valve Cap	83-100635-01	83-100635-01	83-100635-01			
27	Stk	Low Pressure Control	See Electrical Group					
28	Stk	High Pressure Control	See Electrical Group					
	Stk	Filter Drier	83-22755-06	83-22755-06	83-22755-06			

No.	Notes	MODEL COOLING CAPACITY VARIATION	RA14 18 WJ1NA/B	RA14 24 WJ1NA/B	RA14 30 WJ1NA/B	RA14 36 WC1NB	RA14 36 WJ1NA/B	RA14 42 WC1NB
COIL GROUP								
30	Stk	Condenser Coil	AS-105684-03	AS-105679-03	AS-105654-03	AS-105512-03	AS-105512-03	AS-105634-03
31		Service Valve - Suction	61-104914-03	61-104914-03	61-104914-03	61-104914-03	61-104914-03	61-104914-04
32		Service Valve - Liquid	61-104914-05	61-104914-05	61-104914-05	61-104914-05	61-104914-05	61-104914-05
33a		Valve Core	61-18551-01	61-18551-01	61-18551-01	61-18551-01	61-18551-01	61-18551-01
33b		Valve Cap	83-100635-01	83-100635-01	83-100635-01	83-100635-01	83-100635-01	83-100635-01
27	Stk	Low Pressure Control	See Electrical Group					
28	Stk	High Pressure Control	See Electrical Group					
	Stk	Filter Drier	83-22755-06	83-22755-06	83-22755-06	83-22755-06	83-22755-06	83-22755-06

No.	Notes	MODEL COOLING CAPACITY VARIATION	RA14 42 WJ1NA/B					
COIL GROUP								
30	Stk	Condenser Coil	AS-105634-03					
31		Service Valve - Suction	61-104914-04					
32		Service Valve - Liquid	61-104914-05					
33a		Valve Core	61-18551-01					
33b		Valve Cap	83-100635-01					
27	Stk	Low Pressure Control	See Electrical Group					
28	Stk	High Pressure Control	See Electrical Group					
	Stk	Filter Drier	83-22755-06					

No.	Notes	MODEL COOLING CAPACITY VARIATION	RA14 18 AJ1NA/B	RA14 24 AJ1NA/B	RA14 30 AJ1NA/B	RA14 36 AC1NB	RA14 36 AJ1NA/B	RA14 42 AC1NB
COMPRESSOR GROUP								
		Compressor ID:	9086	8918	8919	9022	8920	9023
40	Stk	Compressor	55-102045-122S	55-102045-97S	55-102045-31S	55-102045-90S	55-102045-66S	55-102045-19S
		Compressor Grommet (4)	56-18518-04	56-18518-04	56-18518-04	56-18518-04	56-18518-04	56-18518-06
		Compressor Bolt (4)	63-20072-07	63-20072-07	63-20072-07	63-20072-07	63-20072-07	63-20072-07
23	Stk	Capacitor - Compressor/Fan	43-101665-60	43-101665-06	43-101665-10	N/A	43-101665-13	N/A
23	Stk	Capacitor - Fan	N/A	N/A	N/A	43-101666-65	N/A	43-101666-62
	Stk	Compressor Wiring Harness (Molded Plug)	45-100834-80	45-100834-80	45-100834-80	45-100834-80	45-100834-80	45-100834-80
25		Crankcase Heater	See Accessories					
		Filter Drier	See Coil Group					
		Compressor ID:	8910					
40	Stk	Compressor	55-102045-96S					
		Compressor Grommet (4)	56-18518-04					
		Compressor Bolt (4)	63-20072-07					
23	Stk	Capacitor - Compressor/Fan	43-101665-60					
23	Stk	Capacitor - Fan	N/A					
	Stk	Compressor Wiring Harness (Molded Plug)	45-100834-80					
25		Crankcase Heater	See Accessories					
		Filter Drier	See Coil Group					

No.	Notes	MODEL COOLING CAPACITY VARIATION	RA14 42 AJ1NA/B	RA14 48 AC1NB	RA14 48 AJ1NA/B	RA14 60 AC1NB	RA14 60 AJ1NA/B
COMPRESSOR GROUP							
		Compressor ID:	8921	9024	8922	9025	8923
40	Stk	Compressor	55-102045-15S	55-102045-08S	55-102045-06S	55-102045-130S	55-102045-101S
		Compressor Grommet (4)	56-18518-06	56-18518-06	56-18518-06	56-18518-06	56-18518-06
		Compressor Bolt (4)	63-20072-07	63-20072-07	63-20072-07	63-20072-07	63-20072-07
23	Stk	Capacitor - Compressor/Fan	43-101665-42	N/A	43-101665-42	N/A	43-101665-59
23		Capacitor - Fan	N/A	43-101666-62	N/A	43-101666-62	N/A
	Stk	Compressor Wiring Harness (Molded Plug)	45-100834-80	45-100834-80	45-100834-80	45-100834-80	45-100834-80
25		Crankcase Heater	See Accessories			44-101884-13	44-101884-13
		Filter Drier	See Coil Group				

No.	Notes	MODEL COOLING CAPACITY VARIATION	RA14 36 AD1NB	RA14 42 AD1NB	RA14 48 AD1NB	RA14 60 AD1NB
COMPRESSOR GROUP						
		Compressor ID:	9026	9027	9028	9029
40	Stk	Compressor	55-102045-91S	55-102045-18S	55-102045-07S	55-102045-131S
		Compressor Grommet (4)	56-18518-04	56-18518-06	56-18518-06	56-18518-06
		Compressor Bolt (4)	63-20072-07	63-20072-07	63-20072-07	63-20072-07
23	Stk	Capacitor - Fan	See Electrical Group			44-101884-06
	Stk	Compressor Wiring Harness (Molded Plug)	45-100834-80	45-100834-80	45-100834-80	45-100834-80
25		Crankcase Heater	See Accessories			44-101884-06
		Filter Drier	See Coil Group			

No.	Notes	MODEL COOLING CAPACITY VARIATION	RA14 42 BC1NB	RA14 42 BJ1NA	RA14 42 BJ1NB	RA14 60 BC1NB	RA14 60 BJ1NA	RA14 60 BJ1NB
COMPRESSOR GROUP								
		Compressor ID:	9124	9123	9123	9533	9532	9532
40	Stk	Compressor	55-102045-19S	55-102045-15S	55-102045-15S	55-102045-130S	55-102045-101S	55-102045-101S
		Compressor Grommet (4)	56-18518-06	56-18518-06	56-18518-06	56-18518-06	56-18518-06	56-18518-06
		Compressor Bolt (4)	63-20072-07	63-20072-07	63-20072-07	63-20072-07	63-20072-07	63-20072-07
23	Stk	Capacitor - Compressor/Fan		43-101665-13	43-101665-13	N/A	43-101666-69	43-101666-69
23	Stk	Capacitor - Fan	43-101666-65	N/A	N/A	N/A	N/A	N/A
	Stk	Compressor Wiring Harness (Molded Plug)	45-100834-80	45-100834-80	45-100834-80	45-100834-80	45-100834-80	45-100834-80
25		Crankcase Heater	See Accessories			44-103663-13	44-103663-13	44-103663-13
		Filter Drier	See Coil Group					

No.	Notes	MODEL COOLING CAPACITY VARIATION	RA14 42 CC1NB	RA14 42 CJ1NA	RA14 42 CJ1NB			
COMPRESSOR GROUP								
		Compressor ID:	9531	9530	9530			
40	Stk	Compressor	55-102045-145S	55-102045-144S	55-102045-144S			
		Compressor Grommet (4)	56-18518-06	56-18518-06	56-18518-06			
		Compressor Bolt (4)	63-20072-07	63-20072-07	63-20072-07			
23	Stk	Capacitor - Compressor/Fan	43-101666-60	43-101665-42	43-101665-42			
23	Stk	Capacitor - Fan	N/A	N/A	N/A			
	Stk	Compressor Wiring Harness (Molded Plug)	45-100834-80	45-100834-80	45-100834-80			
25		Crankcase Heater	See Accessories					
		Filter Drier	See Coil Group					

No.	Notes	MODEL COOLING CAPACITY VARIATION	RA14 18 WJ1NA/B	RA14 24 WJ1NA/B	RA14 30 WJ1NA/B	RA14 36 WC1NB	RA14 36 WJ1NA/B	RA14 42 WC1NB
COMPRESSOR GROUP								
		Compressor ID:	9111	9110	9108	9091	9090	9103
40	Stk	Compressor	55-102045-96	55-102045-148S	55-102045-143S	55-102045-138S	55-102045-103S	55-102045-145S
		Compressor Grommet (4)	56-18518-04	56-18518-04	56-18518-04	56-18518-04	56-18518-04	56-18518-06
		Compressor Bolt (4)	63-20072-07	63-20072-07	63-20072-07	63-20072-07	63-20072-07	63-20072-07
23	Stk	Capacitor - Compressor/Fan	43-101665-60	43-101665-06	43-101665-10	N/A	43-101665-13	N/A
23	Stk	Capacitor - Fan	N/A	N/A	N/A	43-101666-58	N/A	43-101666-60
	Stk	Compressor Wiring Harness (Molded Plug)	45-100834-80	45-100834-80	45-100834-80	45-100834-80	45-100834-80	45-100834-80
25		Crankcase Heater	See Accessories					
		Filter Drier	See Coil Group					

No.	Notes	MODEL COOLING CAPACITY VARIATION	RA14 42 WJ1NA/B					
COMPRESSOR GROUP								
		Compressor ID:	9102					
40	Stk	Compressor	55-102045-144S					
		Compressor Grommet (4)	56-18518-06					
		Compressor Bolt (4)	63-20072-07					
23	Stk	Capacitor - Compressor/Fan	43-101665-42					
23		Capacitor - Fan	N/A					
	Stk	Compressor Wiring Harness (Molded Plug)	45-100834-80					
25		Crankcase Heater	See Accessories					
		Filter Drier	See Coil Group					

No.	Notes	MODEL COOLING CAPACITY VARIATION	RA14 18 AJ1NA/B	RA14 24 AJ1NA/B	RA14 30 AJ1NA/B	RA14 36 AC1NB	RA14 36 AJ1NA/B	RA14 42 AC1NB
ACCESSORIES								
		Low Ambient Control	RXAD-A08	RXAD-A08	RXAD-A08	RXAD-A08	RXAD-A08	RXAD-A08
		Compressor Crankcase Heater	44-17402-44	44-17402-44	44-17402-44	44-17402-44	44-17402-44	44-17402-45
		Compressor Sound Cover	68-23427-26	68-23427-26	68-23427-26	68-23427-26	68-23427-26	68-23427-25
		Compressor Time Delay	RXMD-B01	RXMD-B01	RXMD-B01	RXMD-B01	RXMD-B01	RXMD-B01
		Low Pressure Control	RXAC-A07	RXAC-A07	RXAC-A07	RXAC-A07	RXAC-A07	RXAC-A07
		High Pressure Control	RXAB-A07	RXAB-A07	RXAB-A07	RXAB-A07	RXAB-A07	RXAB-A07
		Compressor Hard Start Kit	SK-A1	SK-A1	SK-A1	N/A	SK-A1	N/A

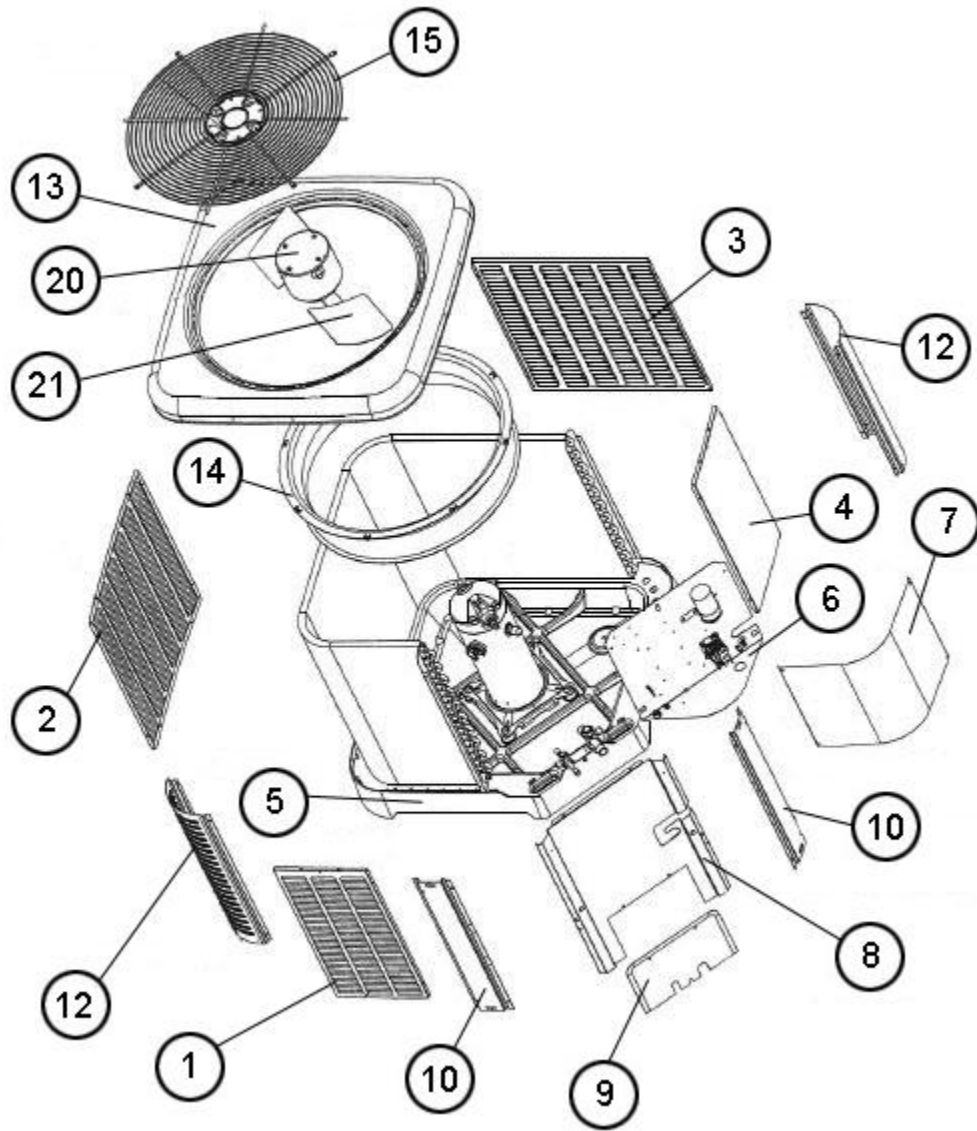
No.	Notes	MODEL COOLING CAPACITY VARIATION	RA14 42 AJ1NA/B	RA14 48 AC1NB	RA14 48 AJ1NA/B	RA14 60 AC1NB	RA14 60 AJ1NA/B	RA14 36 AD1NB
ACCESSORIES								
		Low Ambient Control	RXAD-A08	RXAD-A08	RXAD-A08	RXAD-A08	RXAD-A08	RXAD-A08
		Compressor Crankcase Heater	44-17402-45	44-17402-45	44-17402-45	Factory Standard - See Compressor Group		442040
		Compressor Sound Cover	68-23427-25	68-23427-25	68-23427-25	68-23427-25	68-23427-25	68-23427-25
		Compressor Time Delay	RXMD-B01	RXMD-B01	RXMD-B01	RXMD-B01	RXMD-B01	RXMD-B01
		Low Pressure Control	RXAC-A07	RXAC-A07	RXAC-A07	RXAC-A07	RXAC-A07	RXAC-A07
		High Pressure Control	RXAB-A07	RXAB-A07	RXAB-A07	RXAB-A07	RXAB-A07	RXAB-A07
		Compressor Hard Start Kit	SK-A1	SK-A1	SK-A1	SK-A1	SK-A1	SK-A1

No.	Notes	MODEL COOLING CAPACITY VARIATION	RA14 42 AD1NB	RA14 48 AD1NB	RA14 60 AD1NB	RA14 42 BC1NB	RA14 42 BJ1NA	RA14 42 BJ1NB
ACCESSORIES								
		Low Ambient Control	RXAD-A08	RXAD-A08	RXAD-A08	RXAD-A08	RXAD-A08	RXAD-A08
		Compressor Crankcase Heater	44-17402-46	44-17402-46	Factory Standard - See Compressor Group	44-17402-45	44-17402-45	44-17402-45
		Compressor Sound Cover	68-23427-25	68-23427-25	68-23427-25	68-23427-25	68-23427-25	68-23427-25
		Compressor Time Delay	RXMD-B01	RXMD-B01	RXMD-B01	RXMD-B01	RXMD-B01	RXMD-B01
		Low Pressure Control	RXAC-A07	RXAC-A07	RXAC-A07	RXAC-A07	RXAC-A07	RXAC-A07
		High Pressure Control	RXAB-A07	RXAB-A07	RXAB-A07	RXAB-A07	RXAB-A07	RXAB-A07
		Compressor Hard Start Kit	SK-A1	SK-A1	SK-A1	SK-A1	SK-A1	SK-A1

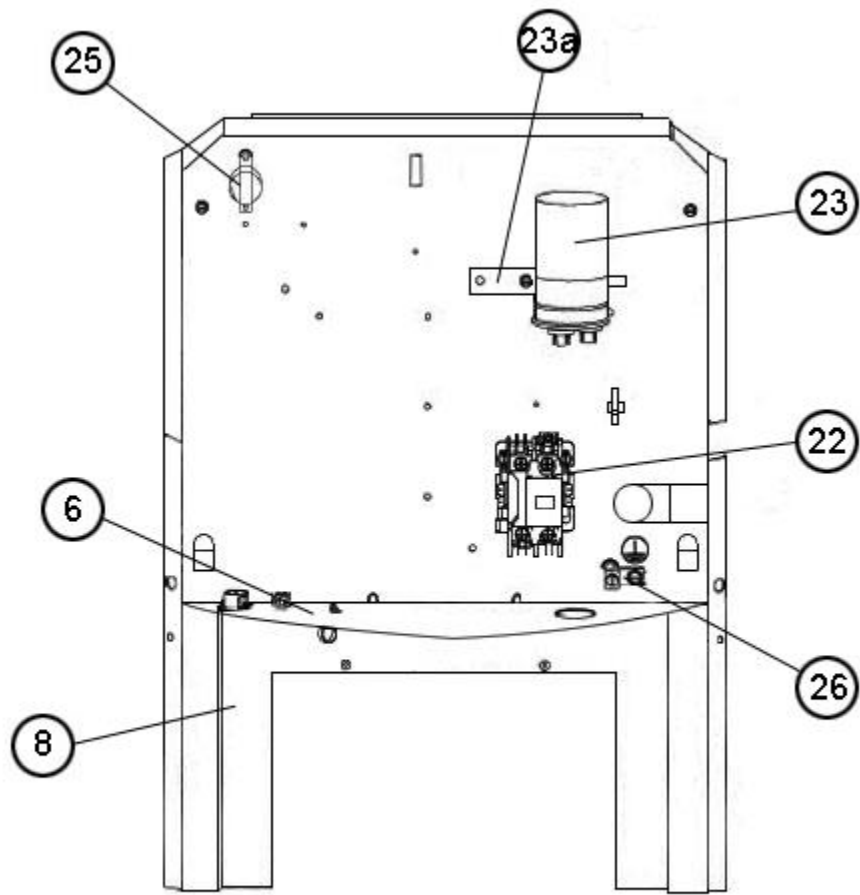
No.	Notes	MODEL COOLING CAPACITY VARIATION	RA14 60 BC1NB	RA14 60 BJ1NA	RA14 60 BJ1NB	RA14 42 CC1NB	RA14 42 CJ1NA	RA14 42 CJ1NB
ACCESSORIES								
		Low Ambient Control	RXAD-A08	RXAD-A08	RXAD-A08	RXAD-A08	RXAD-A08	RXAD-A08
		Compressor Crankcase Heater	Factory Standard - See Compressor Group			44-17402-45	44-17402-45	44-17402-45
		Compressor Sound Cover	68-23427-25	68-23427-25	68-23427-25	68-23427-25	68-23427-25	68-23427-25
		Compressor Time Delay	RXMD-B01	RXMD-B01	RXMD-B01	RXMD-B01	RXMD-B01	RXMD-B01
		Low Pressure Control	RXAC-A07	RXAC-A07	RXAC-A07	RXAC-A07	RXAC-A07	RXAC-A07
		High Pressure Control	RXAB-A07	RXAB-A07	RXAB-A07	RXAB-A07	RXAB-A07	RXAB-A07
		Compressor Hard Start Kit	SK-A1	SK-A1	SK-A1	SK-A1	SK-A1	SK-A1

No.	Notes	MODEL COOLING CAPACITY VARIATION	RA14 18 WJ1NA/B	RA14 24 WJ1NA/B	RA14 30 WJ1NA/B	RA14 36 WC1NB	RA14 36 WJ1NA/B	RA14 42 WC1NB
ACCESSORIES								
		Low Ambient Control	RXAD-A08	RXAD-A08	RXAD-A08	RXAD-A08	RXAD-A08	RXAD-A08
		Compressor Crankcase Heater	44-17402-44	44-17402-44	44-17402-44	44-17402-44	44-17402-44	44-17402-45
		Compressor Sound Cover	68-23427-26	68-23427-26	68-23427-26	68-23427-26	68-23427-26	68-23427-25
		Compressor Time Delay	RXMD-B01	RXMD-B01	RXMD-B01	RXMD-B01	RXMD-B01	RXMD-B01
		Low Pressure Control	RXAC-A07	RXAC-A07	RXAC-A07	RXAC-A07	RXAC-A07	RXAC-A07
		High Pressure Control	RXAB-A07	RXAB-A07	RXAB-A07	RXAB-A07	RXAB-A07	RXAB-A07
		Compressor Hard Start Kit	SK-A1	SK-A1	SK-A1	N/A	SK-A1	N/A

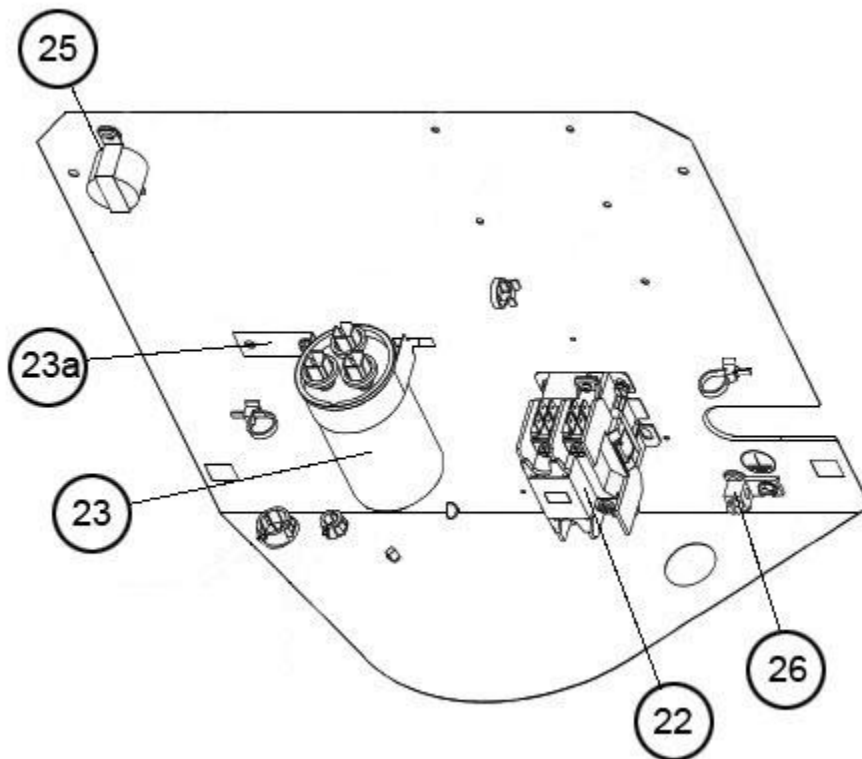
No.	Notes	MODEL COOLING CAPACITY VARIATION	RA14 42 WJ1NA/B					
ACCESSORIES								
		Low Ambient Control	RXAD-A08					
		Compressor Crankcase Heater	44-17402-45					
		Compressor Sound Cover	68-23427-25					
		Compressor Time Delay	RXMD-B01					
		Low Pressure Control	RXAC-A07					
		High Pressure Control	RXAB-A07					
		Compressor Hard Start Kit	SK-A1					



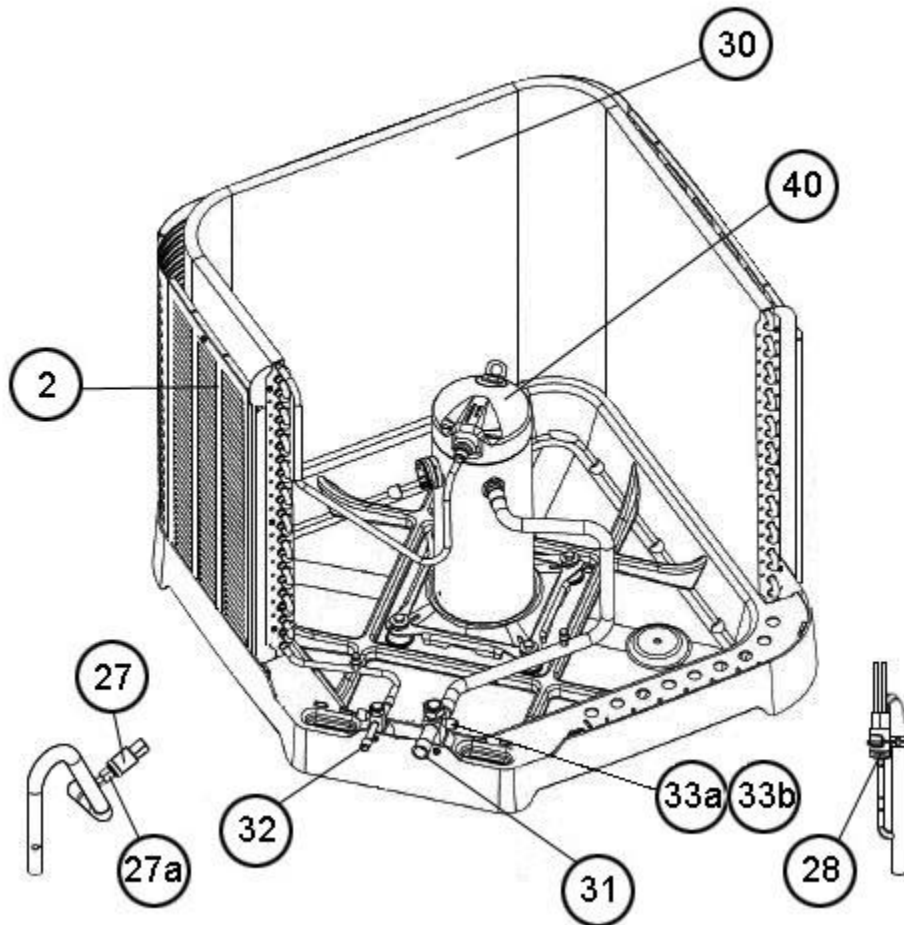
Exploded View



Control Box (1)



Control Box (2)



Valve Mounting, Compressor

NOTES

Stk It is recommended that stock be maintained for this part.

N/A Not Applicable

- 1 Production has utilized both Three-phase and Single-phase fan motors on some units. For these, it is necessary to verify motor type before ordering.