



The new degree of comfort.™

Rheem Classic® Series Air Conditioners



RA14**W Series

Efficiencies up to 16 SEER/13 EER

Nominal Sizes 1½ to 3½ Ton [5.28 to 12.3 kW]

Cooling Capacities 17.3 to 60.5 kBTU

[5.7 to 17.7 kW]



"Proper sizing and installation of equipment is critical to achieve optimal performance. Split system air conditioners and heat pumps must be matched with appropriate coil components to meet Energy Star. Ask your Contractor for details or visit www.energystar.gov."

- The RA14**W 1½ to 3½ ton family meets minimum South-west regional standard requirements
- New composite base pan – dampens sound, captures louver panels, eliminates corrosion and reduces number of fasteners needed
- Powder coat paint system – for a long lasting professional finish
- Scroll compressor – uses 70% fewer moving parts for higher efficiency and increased reliability
- Modern cabinet aesthetics – increased curb appeal with visually appealing design
- Curved louver panels – provide ultimate coil protection, enhance cabinet strength, and increased cabinet rigidity
- Optimized fan orifice – optimizes airflow and reduces unit sound
- Rust resistant screws – confirmed through 1500-hour salt spray testing
- PlusOne™ **Expanded Valve Space** – 3"-4"-5" service valve space – provides a minimum working area of 27-square inches for easier access
- PlusOne™ **Triple Service Access** – 15" wide, industry leading corner service access – makes repairs easier and faster. The two fastener removable corner allows optimal access to internal unit components. Individual louver panels come out once fastener is removed, for faster coil cleaning and easier cabinet reassembly
- Diagnostic service window with two-fastener opening – provides access to the high and low pressure.
- External gauge port access – allows easy connection of "low-loss" gauge ports
- Single-row condenser coil – makes unit lighter and allows thorough coil cleaning to maintain "out of the box" performance
- 35% fewer cabinet fasteners and fastener-free base – allow for faster access to internal components and hassle-free panel removal
- Service trays – hold fasteners or caps during service calls
- QR code – provides technical information on demand for faster service calls
- Fan motor harness with extra long wires allows unit top to be removed without disconnecting fan wire.



TABLE OF CONTENTS

Standard Feature	3
Available SKUs	3
Features & Benefits	4-5
Model Number Identification	6-7
General Data/Electrical Data	8
Accessories	9
Weighted Sound Power	9
Thermostats	9
Unit Dimensions	10
Clearances	11
Wiring Diagrams	12
Application Guidelines	12
Refrigerant Line Size Information	13-14
Performance Data	15-34
Guide Specifications	35
Limited Warranty	36



Air

Standard Feature/Available SKUs
RA14**W Series

Standard Feature Table

Feature	STANDARD FEATURES				
	18W	24W	30W	36W	42W
R-410a Refrigerant	√	√	√	√	√
Maximum SEER	16	16	16	16	16
Maximum EER	13	13	13	13	13
Scroll Compressor	√	√	√	√	√
Field Installed Filter Drier	√	√	√	√	√
Front Seating Service Valves	√	√	√	√	√
Internal Pressure Relief Valve	√	√	√	√	√
Internal Thermal Overload	√	√	√	√	√
Long Line capability	√	√	√	√	√
Low Ambient capability with Kit	√	√	√	√	√
3-4-5 Expanded Valve Space	√	√	√	√	√
Composite Basepan	√	√	√	√	√
2 Screw Control Box Access	√	√	√	√	√
15" Access to Internal Components	√	√	√	√	√
Quick release louver panel design	√	√	√	√	√
No fasteners to remove along bottom	√	√	√	√	√
Optimized Venturi Airflow	√	√	√	√	√
Single row condenser coil	√	√	√	√	√
Powder coated paint	√	√	√	√	√
Rust resistant screws	√	√	√	√	√
QR code	√	√	√	√	√
External gauge ports	√	√	√	√	√
Service trays	√	√	√	√	√

√ = Standard

Available SKUs

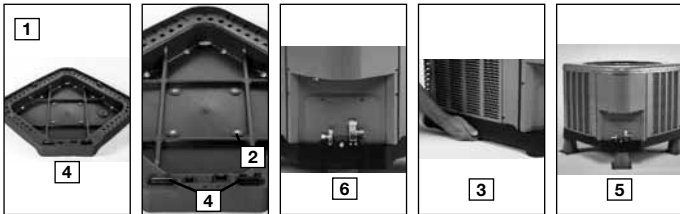
Available Models	Description
RA1418WJ1NA	Classic® Series 1 1/2 ton 14 SEER Single-Stage Air Conditioner-208/230/1/60
RA1424WJ1NA	Classic® Series 2 ton 14 SEER Single-Stage Air Conditioner-208/230/1/60
RA1430WJ1NA	Classic® Series 2 1/2 ton 14 SEER Single-Stage Air Conditioner-208/230/1/60
RA1436WJ1NA	Classic® Series 3 ton 14 SEER Single-Stage Air Conditioner-208/230/1/60
RA1442WJ1NA	Classic® Series 3 1/2 ton 14 SEER Single-Stage Air Conditioner-208/230/1/60
RA1418WJ1NB	Classic® Series 1 1/2 ton 14 SEER Single-Stage Air Conditioner w/ High/Low Pressure-208/230/1/60
RA1424WJ1NB	Classic® Series 2 ton 14 SEER Single-Stage Air Conditioner w/ High/Low Pressure-208/230/1/60
RA1430WJ1NB	Classic® Series 2 1/2 ton 14 SEER Single-Stage Air Conditioner w/ High/Low Pressure-208/230/1/60
RA1436WJ1NB	Classic® Series 3 ton 14 SEER Single-Stage Air Conditioner w/ High/Low Pressure-208/230/1/60
RA1442WJ1NB	Classic® Series 3 1/2 ton 14 SEER Single-Stage Air Conditioner w/ High/Low Pressure-208/230/1/60
RA1436WC1NB	Classic® Series 3 ton 14 SEER Single-Stage Air Conditioner w/ High/Low Pressure-208/230/3/60
RA1442WC1NB	Classic® Series 3 1/2 ton 14 SEER Single-Stage Air Conditioner w/ High/Low Pressure-208/230/3/60



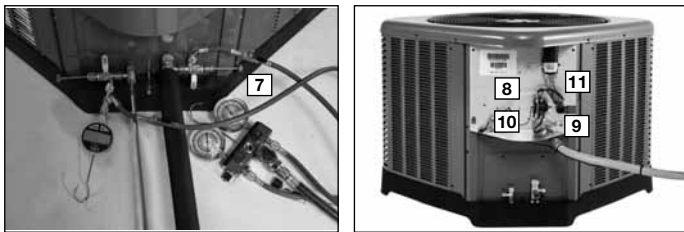
Introduction to RA14**W Air Conditioner

The RA14**W is our 14 SEER air conditioner and is part of the Rheem air conditioner product line that extends from 13 to 20 SEER. The RA14**W meets the Southwest regional efficiency requirements of 14 SEER and 12.2 EER. This highly featured and reliable air conditioner is designed for years of reliable, efficient operation when matched with Rheem indoor aluminum evaporator coils and furnaces or air handler units with aluminum evaporators.

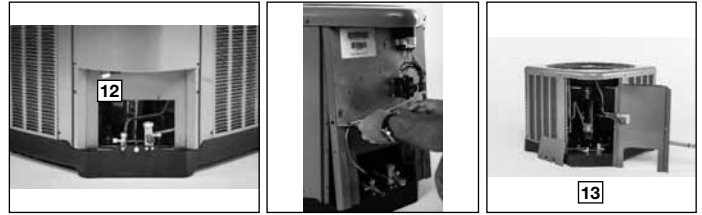
Our unique composite base (1) reduces sound emission, eliminates rattles, significantly reduces fasteners, eliminates corrosion and has integrated brass compressor attachment inserts (2). Furthermore it has incorporated into the design, water management features, means for hand placement (3) for unit maneuvering, screw trays (4) and inserts for lifting off unit pad. (5)



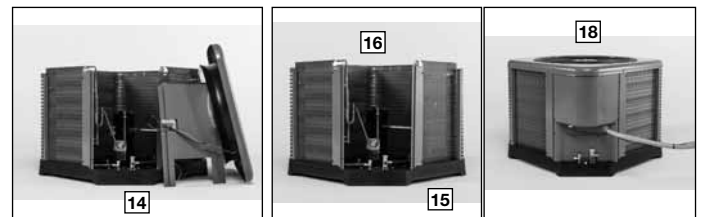
Service Valves (6) are rigidly mounted in the composite base with 3" between suction and discharge valves, 4" clearance below service valves and a minimum of 5" above the service valves, creating industry leading installation ease. The minimum 27 square-inches around the service valves allows ample room to remove service valve schrader prior to brazing, plenty of clearance for easy brazing of the suction and discharge lines to service valve outlets, easy access and hookup of low loss refrigerant gauges (7), and access to the service valve caps for opening. For applications with long-line lengths up to 250 feet total equivalent length, up to 200 feet condenser above evaporator, or up to 80 feet evaporator above condenser, the long-line instructions in the installation manual should be followed.



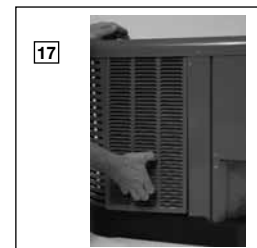
Controls are accessed from the corner of the unit by removing only two fasteners from the control access cover, revealing the industry's largest 15" wide and 14" tall control area (8). With all this room in the control area the high voltage electrical whip (9) can easily be inserted through the right size opening in the bottom of the control area. Routing it leads directly to contractor lugs for connection. The low voltage control wires (10) are easily connected to units low voltage wiring. If contactor or capacitor (11) needs to be replaced there is more than adequate space to make the repair. Furthermore, if high pressure and low pressure model was not purchased but is desired to be installed in the field, the service window (12) can be removed by removing two screws, to access the high and low side schrader fittings for easy field installation. The entire corner can be removed providing ultimate access to install the high and low pressure switch. (13)



If in the rare event, greater access is needed to internal components, such as the compressor, the entire corner of the unit can be removed along with the top cover assembly to have unprecedented access to interior of the unit (14). Extra wire length is incorporated into each outdoor fan and compressor so top cover and control panel can be positioned next to the unit. With minimal effort the plug can be removed from the compressor and the outdoor fan wires can be removed from the capacitor to allow even more uncluttered access to the interior of the unit (15). Outdoor coil heights range from as short as 22" to 32", aiding access to the compressor. Disassembly to this degree and complete reassembly only takes a first time service technician less than 10 minutes. (15)



All units utilize strong formed louver panels which provide industry leading coil protection. Louver removal for coil cleaning is accomplished by removing one screw and lifting the panel out of the composite base pan. (17) All RA14**W units utilize single row coils (18) making cleaning easy and complete, restoring the performance of the air conditioner back to out of the box performance levels year after year.



The outdoor fan motor has sleeve bearings and is inherently protected. The motor is totally enclosed for maximum protection from weather, dust and corrosion. Access to the outdoor fan is made by removing four fasteners from the fan grille. The outdoor fan can be removed from the fan grille by removing 4 fasteners in the rare case outdoor fan motor fails.

Each cabinet has optimized composite (19) fan orifice assuring efficient and quiet airflow.



The entire cabinet has powder post paint (20) achieving 1000 hour salt spray rating, allowing the cabinet to retain its aesthetics throughout its life.



Scroll compressors with standard internal pressure relief and internal thermal overload are used on all capacities assuring longevity of high efficient and quiet operation for the life of the product.

Each unit is shipped with filter drier for field installation and will trap any moisture or dirt that could contaminate the refrigerant system.



All cabinets have industry leading structural strength due to the composite base pan (21), interlocking corner post (22), formed curved louver panels (23) and drawn top cover (24) making it the most durable cabinet on the market today.

Each RA14**W capacity has undergone rigorous psychometric testing to assure performance ratings of capacity, SEER and EER per AHRI Standard 210/240 rating conditions. Also each unit bears the UL mark and each unit is certified to UL 1995 safety standards.



Each unit has undergone specific strain and modal testing to assure tubing (25) is outside the units natural frequency and that the suction and discharge lines connected to the compressor withstand any starting, steady state operation or shut down forces imposed by the compressor.

All units have been sound tested in sound chamber to AHRI 270 rating conditions, and A-weighted Sound Power Level tables produced, assuring units have acceptable noise qualities (see page 9). Each unit has been ran in cooling operation at 95°F and 82°F and sound ratings for the RA14**W range from as low as 73 dBA to 75 dBA.

All units have been ship tested to assure units meet stringent “over the road” shipping conditions.

As manufactured all units in the RA14**W family have cooling capability to 55 °F. Addition of low ambient control will allow the unit to operate down to 0°F. Factory testing is performed on each unit. All component parts meet well defined specification and continually go through receiving inspections. Each component installed on a unit is scanned, assuring correct component utilization for a given unit capacity and voltage. All condenser coils are leak tested with pressurization test to 550#’s and once installed and assembled, each units’ complete refrigerant system is helium leak tested. All units are fully charged from the factory for up to 15 feet of piping. All units are factory run tested. The RA14**W has a 10-year conditional compressor and parts warranty (registration required).

Optional Accessories

(Refer to accessory chart for model #)

Compressor Crankcase Heater

Protects against refrigerant migration that can occur during low ambient operation

Compressor Sound Cover

- Reinforced vinyl compressor cover containing a 1½ inch thick batt of fiberglass insulation
- Open edges are sealed with a one-inch wide hook and loop fastening tape

Compressor Hard Start Kit

- Single-phase units are equipped with a PSC compressor motor, this type of motor normally does not need a potential relay and start capacitor
- Kit may be required to increase the compressor starting torque, in conditions such as low voltage

Low Ambient Kit

- Air conditioners operate satisfactorily in the cooling mode down to 55°F outdoor air temperature without any additional controls
- This Kit can be added in the field enabling unit to operate properly down to 0° in the cooling mode
- Crankcase heater and freezestat should be installed on compressors equipped with a low ambient kit

3"/6"/12"

- Gray high density polyethylene feet are available to raise unit off of mounting surface away from moisture

Low Pressure

- Can be added in field enabling the unit to shut off compressor on loss of charge

NOTE: Unit can be purchased with high and low pressure installed at factory. (Refer to SKU list)

High Pressure

- Can be added in field enabling unit to shut off compressor if unit loses outdoor fan operation.

NOTE: Unit can be purchased with high and low pressure installed at factory. (Refer to SKU list)

Decorative Top

- Can be installed on fan grille



Air Conditioners

R	A	14	24	W	J	1	N	A	*
Brand	Product Category	SEER	Capacity BTU/HR	Major Series*	Voltage	Type	Controls	Minor Series**	Option Code
Rheem	A - Air Conditioners	13 - 13 SEER 14 - 14 SEER 16 - 16 SEER 17 - 17 SEER 20 - 20 SEER	18 - 18,000 [5.28 kW] 24 - 24,000 [7.03 kW] 30 - 30,000 [8.79 kW] 36 - 36,000 [10.55 kW] 42 - 42,000 [12.31 kW]	W - Southwest regional standard unit	J - 1ph, 208-230/60 C - 3ph, 208-230/60	1 - Single-stage 2 - Two-stage V - Inverter	C - Communicating N - Non-Communicating	A - 1st Design	N/A

Heat Pumps (For Reference)

R	P	14	24	A	J	1	N	A	*
Brand	Product Category	SEER	Capacity BTU/HR	Major Series*	Voltage	Type	Controls	Minor Series**	Option Code
Rheem	P - Heat Pump	13 - 13 SEER 14 - 14 SEER 16 - 16 SEER 17 - 17 SEER 20 - 20 SEER	18 - 18,000 [5.28 kW] 24 - 24,000 [7.03 kW] 30 - 30,000 [8.79 kW] 36 - 36,000 [10.55 kW] 42 - 42,000 [12.31 kW] 48 - 48,000 [14.07 kW] 60 - 60,000 [17.58 kW]	A - 1st Design	J - 1ph, 208-230/60 C - 3ph, 208-230/60 D - 3ph, 460/60	1 - Single-stage 2 - Two-stage V - Inverter P - Piston	C - Communicating N - Non-Communicating	A - 1st Design	N/A

Furnace Coils (For Reference)

R	C	F	17	S	T	A	M	C	A	*
Brand	Product Category	Type	Width	Efficiency	Metering Device	Major Series*	Orientation	Casing	Minor Series**	Option Code
Rheem	C - Evap Coil	F - Furn Coil H - Air-Handler Coil	14 - 14" 17 - 17.5" 21 - 21" 24 - 24.5"	S - Standard Eff. M - Mid Eff. H - High Eff.	T-TXV E-EEV P-Piston	A - 1st Design	M - Multipoise V - Vertical only/ convertible H - Ded. Horizontal only	C - Cased U - Uncased	A - 1st Design	N/A

[] Designates Metric Conversions



90%+ AFUE Gas Furnaces (For Reference)

<u>R</u>	<u>96</u>	<u>V</u>	<u>A</u>	<u>70</u>	<u>2</u>	<u>3</u>	<u>17</u>	<u>M</u>	<u>S</u>	<u>A</u>
Brand	Series	Motor	Major Rev	Input BTU/HR	Stages	Air Flow	Cabinet Width	Configuration	Nox	Minor Rev
Rheem	90 - 90 AFUE	V - Variable speed	A - 1st Design	040 - 42,000 [12.31 kW]	1 - Single-stage	3 - up to 3 ton	14 - 14"	M - Multi	X - Low Nox	A - 1st Design
	92 - 92 AFUE	T - Constant Torque (X-13)		060 - 56,000 [16.41 kW]	2 - Two-stage	5 - 3 1/2 up to 5 ton	17 - 17.5"		S - Standard	
	95 - 95 AFUE			070 - 70,000 [20.51 kW]	M - Modulating		21 - 21"			
	96 - 96 AFUE			085 - 84,000 [24.62 kW]			24 - 24.5"			
	97 - 97 AFUE	P - PSC		100 - 98,000 [28.72 kW]						
				115 - 112,000 [32.82 kW]						

80% AFUE Gas Furnaces (For Reference)

<u>R</u>	<u>80</u>	<u>2</u>	<u>V</u>	<u>075</u>	<u>3</u>	<u>17</u>	<u>M</u>	<u>S</u>	<u>A</u>	
Brand	Series	Stages	Motor	Major Rev	Input BTU/HR	Air Flow	Cabinet Width	Configuration	Nox	Minor Rev
Rheem	80 - 80+ AFUE	1 - Single-stage	V - Variable speed	A - 1st Design	050 - 50,000 [15 kW]	3 - up to 3 ton	14 - 14"	M - Multi	X - Low Nox	A - 1st Design
		2 - Two-stage	T - Constant Torque (X-13)		075 - 75,000 [22 kW]	4 - 2 1/2 to 4 ton	17 - 17.5"	D - Down	S - Standard	
			P - PSC premium		100 - 100,000 [29 kW]	5 - 3 1/2 up to 5 ton	21 - 21"	Z - Down & zero clearance		
			S - PSC standard		125 - 125,000 [37 kW]		24 - 24.5"	down flow		
					150 - 150,000 [44 kW]					

Air Handlers (For Reference)

<u>R</u>	<u>H</u>	<u>1</u>	<u>I</u>	<u>36</u>	<u>17</u>	<u>S</u>	<u>T</u>	<u>A</u>	<u>N</u>	<u>A</u>	<u>A</u>	<u>*</u>
Brand	Product Category	Stages of Airflow	Motor Type	Capacity BTU/HR	Width	Coil Size	Metering Device	Major Series*	Controls	Voltage	Minor Series**	Factory Heat Option Code
Rheem	H - Air Handler	1 - Single-Stage	V - Variable Speed	24 - 24,000 [7.03 kW]	14 - 14"	S - Standard Eff.	T - TEV	A - 1st Design	C - Communicating	A - 1ph, 115/60	A - 1st Design	00 - no *TBD
		2 - Two-Stage	T - Constant Torque	36 - 36,000 [10.55 kW]	17 - 17.5"	M - Mid Eff.	E - EEV	N - Non-comm	N - Non-comm	J - 1ph, 208-240/60	A - 1st Design	factory heat with option code
		M - Modulating	P - PSC	48 - 48,000 [14.07 kW]	21 - 21"	H - High Eff.	P - Piston		D - 3ph, 480/60	D - 3ph, 480/60		
				60 - 60,000 [17.58 kW]	24 - 24.5"							

[] Designates Metric Conversions



Air

Physical Data					
PHYSICAL DATA					
Model No.	RA1418W	RA1424W	RA1430W	RA1436W	RA1442W
Nominal Tonnage	1.5	2.0	2.5	3.0	3.5
Valve Connections					
Liquid Line O.D. – in.	3/8	3/8	3/8	3/8	3/8
Suction Line O.D. – in.	3/4	3/4	3/4	3/4	7/8
Refrigerant (R410A) furnished oz.¹	78.4	80	104	103.2	133.6
Compressor Type	Scroll				
Outdoor Coil					
Net face area – Outer Coil	9.9	11.1	14.2	17.3	19.8
Net face area – Inner Coil	—	—	—	—	—
Tube diameter – in.	0.375	0.375	0.375	0.375	0.375
Number of rows	1	1	1	1	1
Fins per inch	22	22	22	22	22
Outdoor Fan					
Diameter – in.	20	20	20	24	24
Number of blades	2	2	2	3	3
Motor hp	1/10	1/8	1/8	1/6	1/5
CFM	2320	2295	2595	3395	4105
RPM	1090	1121	1090	831	833
watts	139	138	151	177	236
Shipping weight – lbs.	152	148	167	187	207
Operating weight – lbs.	145	141	160	180	200
Electrical Data					
Line Voltage Data (Volts-Phase-Hz)	208/230-1-60	208/230-1-60	208/230-1-60	208/230-1-60	208/230-1-60
Maximum overcurrent protection (amps)²	20	25	25	35	35
Minimum circuit ampacity³	13	15	17	21	23
Compressor					
Rated load amps	9.7	10.9	12.8	15.4	16.7
Locked rotor amps	46	62.9	67.8	83.9	109
Condenser Fan Motor					
Full load amps	0.6	0.8	0.8	0.8	1.2
Locked rotor amps	1.1	1.5	1.4	1.5	2
Line Voltage Data (Volts-Phase-Hz)	—	—	—	208/230-3-60	208/230-3-60
Maximum overcurrent protection (amps)²	—	—	—	20	25
Minimum circuit ampacity³	—	—	—	14	16
Compressor					
Rated load amps	—	—	—	10.4	11.2
Locked rotor amps	—	—	—	73	84
Condenser Fan Motor					
Full load amps	—	—	—	0.8	1.2
Locked rotor amps	—	—	—	1.5	3

¹Refrigerant charge sufficient for 15 ft. length of refrigerant lines. For longer line set requirements see the installation instructions for information about set length and additional refrigerant charge required.

²HACR type circuit breaker of fuse.

³Refer to National Electrical Code manual to determine wire, fuse and disconnect size requirements.



Accessories

Model No.		RA1418W	RA1424W	RA1430W	RA1436W	RA1442W
Compressor crankcase heater*		44-17402-44	44-17402-44	44-17402-44	44-17402-44	44-17402-45
Low ambient control		RXAD-A08	RXAD-A08	RXAD-A08	RXAD-A08	RXAD-A08
Compressor sound cover		68-23427-26	68-23427-26	68-23427-26	68-23427-26	68-23427-25
Compressor hard start kit		SK-A1	SK-A1	SK-A1	SK-A1	SK-A1
Compressor time delay		RXMD-B01	RXMD-B01	RXMD-B01	RXMD-B01	RXMD-B01
Low pressure control		RXAC-A07	RXAC-A07	RXAC-A07	RXAC-A07	RXAC-A07
High pressure control		RXAB-A07	RXAB-A07	RXAB-A07	RXAB-A07	RXAB-A07
Liquid Line Solenoid (24 VAC, 50/60 Hz)	Solenoid Valve	200RD2T3TVLC	200RD2T3TVLC	200RD2T3TVLC	200RD2T3TVLC	200RD2T3TVLC
	Solenoid Coil	61-AMG24V	61-AMG24V	61-AMG24V	61-AMG24V	61-AMG24V
Liquid Line Solenoid (120/240 VAC, 50/60 Hz)	Solenoid Valve	200RD2T3TVLC	200RD2T3TVLC	200RD2T3TVLC	200RD2T3TVLC	200RD2T3TVLC
	Solenoid Coil	61-AMG120/240V	61-AMG120/240V	61-AMG120/240V	61-AMG120/240V	61-AMG120/240V
Classic Top Cap w/Label		91-101123-21	91-101123-21	91-101123-21	91-101123-21	91-101123-21

*Crankcase Heater recommended with Low Ambient Kit.

Weighted Sound Power Level (dBA)

A-WEIGHTED SOUND POWER LEVEL (dBA)								
Unit Size - Voltage, Series	Standard Rating (dBA)	TYPICAL OCTAVE BAND SPECTRUM (dBA without tone adjustment)						
		125	250	500	1000	2000	4000	8000
RA1418W	74	47.4	58	61.6	65	61.6	59	52
RA1424W	75	50	59.5	63.2	64.4	61.4	56.8	52.6
RA1430W	74	46.6	54.4	62.1	66.1	62.4	55.7	51.1
RA1436W	75	51.6	58.7	63.1	66.1	62.3	59	55.7
RA1442W	73	51.5	54.7	63.5	63.3	59.4	54.9	48.4

NOTE: Tested in accordance with AHRI Standard 270-08 (not listed in AHRI)

Thermostats



200-Series *
Programmable



300-Series *
Deluxe
Programmable

400-Series *
Special Applications/
Programmable



500-Series *
Communicating/
Programmable

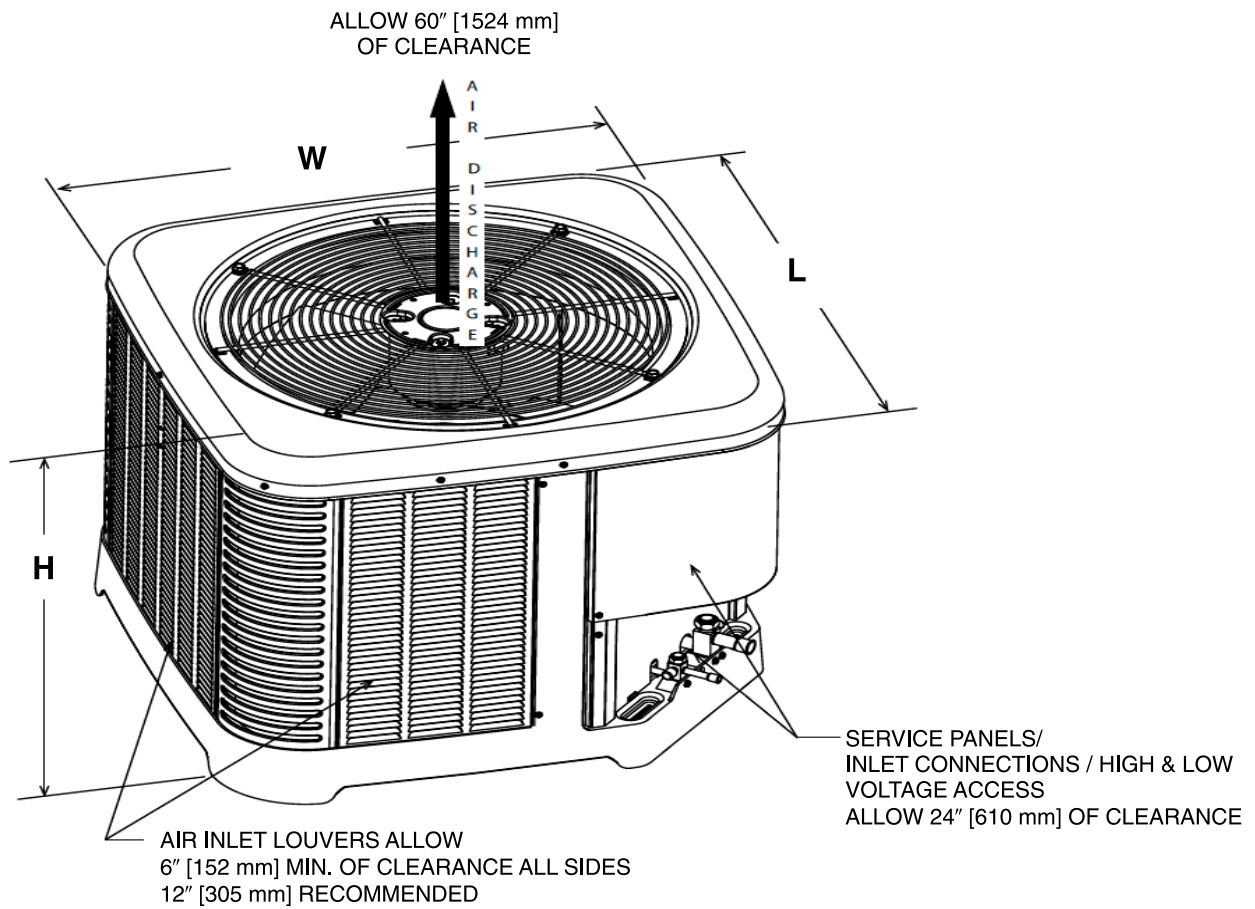
Brand	Descriptor (3 Characters)	Series (3 Characters)	System (2 Characters)	Type (2 Characters)
RHC	TST	213	UN	MS
RHC=Rheem	TST=Thermostat	200=Programmable 300=Deluxe Programmable 400=Special Applications/ Programmable 500=Communicating/ Programmable	GE=Gas/Electric UN=Universal (AC/HP/GE) MD=Modulating Furnace DF=Dual Fuel CM=Communicating	SS=Single-Stage MS=Multi-Stage

* Photos are representative. Actual models may vary.

For detailed thermostat match-up information,
see specification sheet form number T11-001.

Unit Dimensions

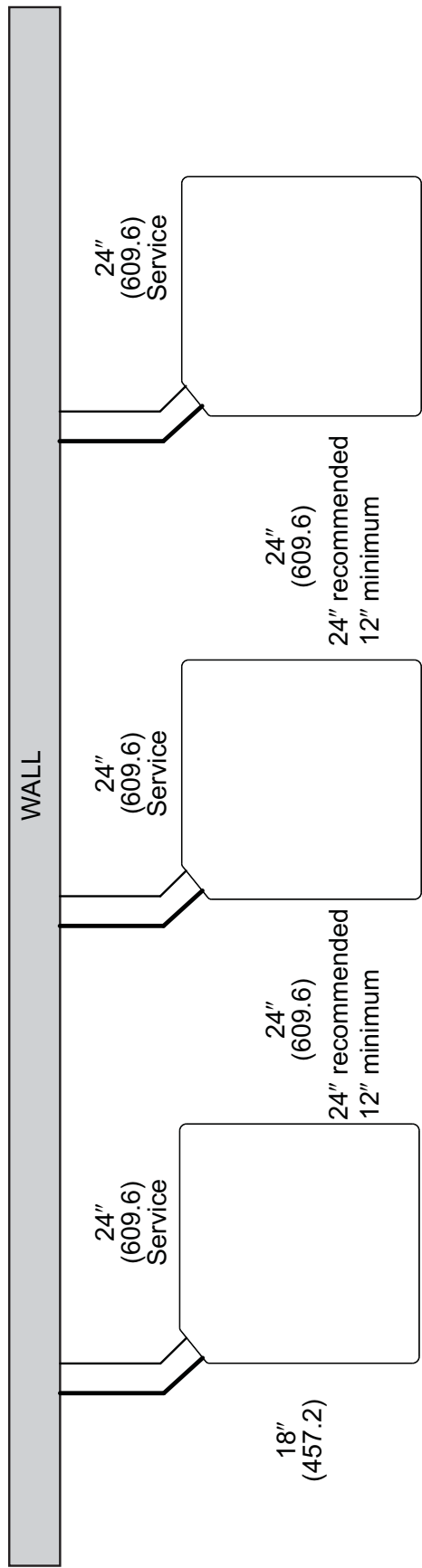
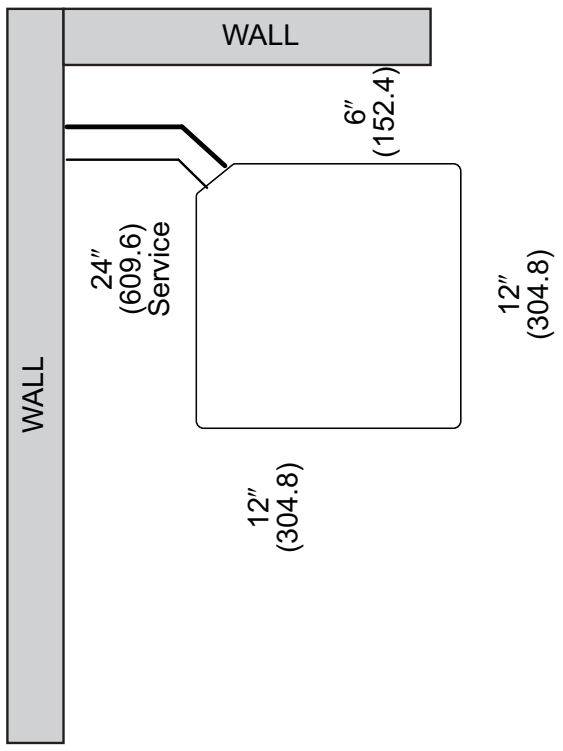
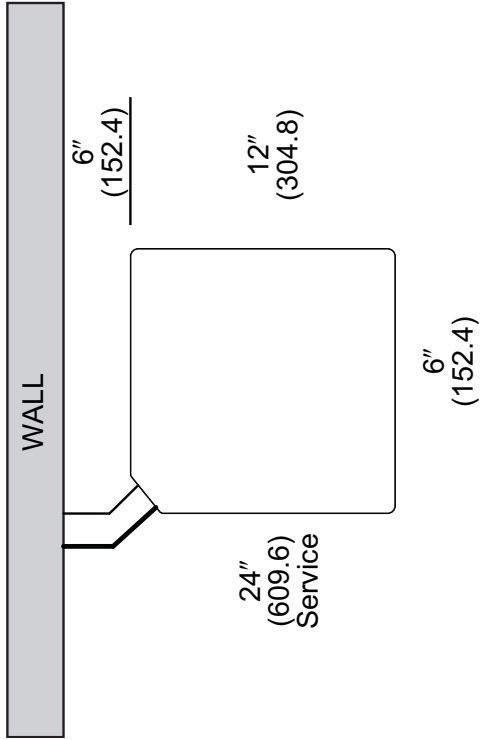
MODEL NO.	OPERATING						SHIPPING					
	H (Height)		L (Length)		W (Width)		H (Height)		L (Length)		W (Width)	
	INCHES	mm	INCHES	mm	INCHES	mm	INCHES	mm	INCHES	mm	INCHES	mm
RA1418W	27	685	29.75	755	29.75	755	28.5	723	33	838	32.75	831
RA1424W	25	635	29.75	755	29.75	755	27.9	708	33.25	844	33.36	847
RA1430W	31	787	29.75	755	29.75	755	34.19	868	33.25	844	33.36	847
RA1436W	31	787	33.75	857	33.75	857	33.32	846	37.64	956	37.56	954
RA1442W	35	889	33.75	857	33.75	857	37	939	37	939	37	939



[] Designates Metric Conversions

ST-A1226-02-00

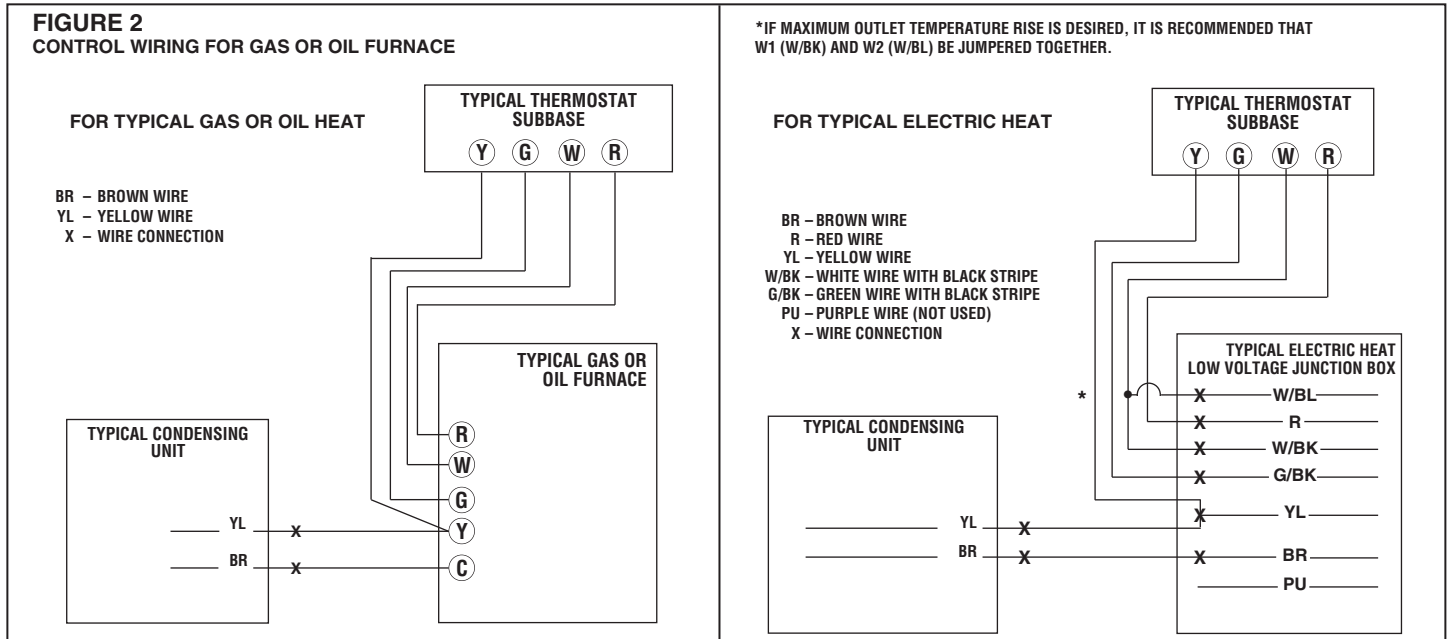
CLEARANCES



NOTE: NUMBERS IN () = mm

IMPORTANT: When installing multiple units in an alcove, roof well or partially enclosed area, ensure there is adequate ventilation to prevent re-circulation of discharge air.

Control Wiring



Application Guidelines

1. Intended for outdoor installation with free air inlet and outlet. Outdoor fan external static pressure available is less than 0.01 -in. wc.
2. Minimum outdoor operation air temperature for cooling mode without low-ambient operation accessory is 55°F (12.8°C).
3. Maximum outdoor operating air temperature is 125°F (51.7°C).
4. For reliable operation, unit should be level in all horizontal planes.
5. Use only copper wire for electric connections at unit. Aluminum and clad aluminum are not acceptable for the type of connector provided.
6. Do not apply capillary tube indoor coils to these units.
7. Factory – supplied filter drier must be installed.



Air

Refrigerant Line Size Information

R-410A System Capacity Model	Liquid Line Size Connection Size (Inch I.D.) [mm]	Liquid Line Size (Inch O.D.) [mm]	Liquid Line Selection Chart																
			Elevation (Above or Below) Indoor Coil																
			Total Equivalent Length - Feet [m]																
Maximum Vertical Separation - Feet [m]																			
18	3/8" [9.53]	1/4 [6.35]	25 [7.62]	50 [15.24]	65 [19.81]	50 [15.24]	35 [10.67]	20 [6.1]	N/R	N/R	N/R	N/R	N/R	N/R	N/R	N/R	N/R	N/R	
		5/16 [7.94]	25 [7.62]	50 [15.24]	75 [22.86]	90 [27.43]	85 [25.91]	80 [24.38]	75 [22.86]	70 [21.34]	65 [19.81]	60 [18.29]	55 [16.76]	50 [15.24]	45 [13.72]	40 [12.19]	35 [10.67]	30 [9.14]	
		3/8 [9.53]	25 [7.62]	50 [15.24]	75 [22.86]	100 [30.48]	100 [30.48]	100 [30.48]	100 [30.48]	100 [30.48]	95 [28.96]	90 [27.43]	85 [25.91]	80 [24.38]	75 [22.86]	70 [21.34]	65 [19.81]	60 [18.29]	
		7/16 [11.12]	25 [7.62]	50 [15.24]	75 [22.86]	100 [30.48]	105 [32]	105 [32]	105 [32]	105 [32]	105 [32]	105 [32]	105 [32]	105 [32]	105 [32]	105 [32]	105 [32]	105 [32]	105 [32]
		1/2 [12.71]	25 [7.62]	50 [15.24]	75 [22.86]	100 [30.48]	105 [32]	105 [32]	105 [32]	105 [32]	105 [32]	105 [32]	105 [32]	105 [32]	105 [32]	105 [32]	105 [32]	105 [32]	105 [32]
		N/R	25 [7.62]	50 [15.24]	30 [9.14]	N/R	N/R	N/R	N/R	N/R	N/R	N/R	N/R	N/R	N/R	N/R	N/R	N/R	N/R
24	3/8" [9.53]	5/16 [7.94]	25 [7.62]	50 [15.24]	75 [22.86]	80 [24.38]	75 [22.86]	70 [21.34]	60 [18.29]	55 [16.76]	50 [15.24]	40 [12.19]	35 [10.67]	30 [9.14]	25 [7.62]	20 [6.1]	15 [4.57]	10 [3.05]	
		3/8 [9.53]	25 [7.62]	50 [15.24]	75 [22.86]	100 [30.48]	100 [30.48]	100 [30.48]	100 [30.48]	100 [30.48]	100 [30.48]	100 [30.48]	100 [30.48]	100 [30.48]	100 [30.48]	100 [30.48]	100 [30.48]	100 [30.48]	
		7/16 [11.12]	25 [7.62]	50 [15.24]	75 [22.86]	100 [30.48]	100 [30.48]	100 [30.48]	100 [30.48]	100 [30.48]	100 [30.48]	100 [30.48]	100 [30.48]	100 [30.48]	100 [30.48]	100 [30.48]	100 [30.48]	100 [30.48]	
		1/2 [12.71]	25 [7.62]	50 [15.24]	75 [22.86]	100 [30.48]	105 [32]	105 [32]	105 [32]	105 [32]	105 [32]	105 [32]	105 [32]	105 [32]	105 [32]	105 [32]	105 [32]	105 [32]	105 [32]
		N/R	25 [7.62]	50 [15.24]	75 [22.86]	100 [30.48]	105 [32]	105 [32]	105 [32]	105 [32]	105 [32]	105 [32]	105 [32]	105 [32]	105 [32]	105 [32]	105 [32]	105 [32]	105 [32]
		N/R	25 [7.62]	50 [15.24]	75 [22.86]	100 [30.48]	105 [32]	105 [32]	105 [32]	105 [32]	105 [32]	105 [32]	105 [32]	105 [32]	105 [32]	105 [32]	105 [32]	105 [32]	105 [32]
30	3/8" [9.53]	1/4 [6.35]	25 [7.62]	50 [15.24]	75 [22.86]	85 [25.91]	90 [27.43]	85 [25.91]	80 [24.38]	75 [22.86]	70 [21.34]	65 [19.81]	60 [18.29]	55 [16.76]	50 [15.24]	45 [13.72]	40 [12.19]	35 [10.67]	
		5/16 [7.94]	25 [7.62]	50 [15.24]	75 [22.86]	100 [30.48]	100 [30.48]	100 [30.48]	100 [30.48]	100 [30.48]	100 [30.48]	100 [30.48]	100 [30.48]	100 [30.48]	100 [30.48]	100 [30.48]	100 [30.48]	100 [30.48]	
		3/8 [9.53]	25 [7.62]	50 [15.24]	75 [22.86]	100 [30.48]	100 [30.48]	100 [30.48]	100 [30.48]	100 [30.48]	100 [30.48]	100 [30.48]	100 [30.48]	100 [30.48]	100 [30.48]	100 [30.48]	100 [30.48]	100 [30.48]	
		7/16 [11.12]	25 [7.62]	50 [15.24]	75 [22.86]	100 [30.48]	100 [30.48]	100 [30.48]	100 [30.48]	100 [30.48]	100 [30.48]	100 [30.48]	100 [30.48]	100 [30.48]	100 [30.48]	100 [30.48]	100 [30.48]	100 [30.48]	
		1/2 [12.71]	25 [7.62]	50 [15.24]	75 [22.86]	100 [30.48]	105 [32]	105 [32]	105 [32]	105 [32]	105 [32]	105 [32]	105 [32]	105 [32]	105 [32]	105 [32]	105 [32]	105 [32]	
		N/R	25 [7.62]	50 [15.24]	75 [22.86]	100 [30.48]	105 [32]	105 [32]	105 [32]	105 [32]	105 [32]	105 [32]	105 [32]	105 [32]	105 [32]	105 [32]	105 [32]	105 [32]	105 [32]
36	3/8" [9.53]	1/4 [6.35]	25 [7.62]	50 [15.24]	75 [22.86]	85 [25.91]	90 [27.43]	85 [25.91]	80 [24.38]	75 [22.86]	70 [21.34]	65 [19.81]	60 [18.29]	55 [16.76]	50 [15.24]	45 [13.72]	40 [12.19]	35 [10.67]	
		5/16 [7.94]	25 [7.62]	50 [15.24]	75 [22.86]	100 [30.48]	100 [30.48]	100 [30.48]	100 [30.48]	100 [30.48]	100 [30.48]	100 [30.48]	100 [30.48]	100 [30.48]	100 [30.48]	100 [30.48]	100 [30.48]	100 [30.48]	
		3/8 [9.53]	25 [7.62]	50 [15.24]	75 [22.86]	100 [30.48]	100 [30.48]	100 [30.48]	100 [30.48]	100 [30.48]	100 [30.48]	100 [30.48]	100 [30.48]	100 [30.48]	100 [30.48]	100 [30.48]	100 [30.48]	100 [30.48]	
		7/16 [11.12]	25 [7.62]	50 [15.24]	75 [22.86]	100 [30.48]	100 [30.48]	100 [30.48]	100 [30.48]	100 [30.48]	100 [30.48]	100 [30.48]	100 [30.48]	100 [30.48]	100 [30.48]	100 [30.48]	100 [30.48]	100 [30.48]	
		1/2 [12.71]	25 [7.62]	50 [15.24]	75 [22.86]	100 [30.48]	105 [32]	105 [32]	105 [32]	105 [32]	105 [32]	105 [32]	105 [32]	105 [32]	105 [32]	105 [32]	105 [32]	105 [32]	
		N/R	25 [7.62]	50 [15.24]	75 [22.86]	100 [30.48]	105 [32]	105 [32]	105 [32]	105 [32]	105 [32]	105 [32]	105 [32]	105 [32]	105 [32]	105 [32]	105 [32]	105 [32]	105 [32]
42	3/8" [9.53]	1/4 [6.35]	15 [4.57]	N/R	N/R	N/R	N/R	N/R	N/R	N/R	N/R	N/R	N/R	N/R	N/R	N/R	N/R	N/R	
		5/16 [7.94]	25 [7.62]	50 [15.24]	75 [22.86]	85 [25.91]	90 [27.43]	85 [25.91]	80 [24.38]	75 [22.86]	70 [21.34]	65 [19.81]	60 [18.29]	55 [16.76]	50 [15.24]	45 [13.72]	40 [12.19]	35 [10.67]	
		3/8 [9.53]	25 [7.62]	50 [15.24]	75 [22.86]	100 [30.48]	100 [30.48]	100 [30.48]	100 [30.48]	100 [30.48]	100 [30.48]	100 [30.48]	100 [30.48]	100 [30.48]	100 [30.48]	100 [30.48]	100 [30.48]	100 [30.48]	
		7/16 [11.12]	25 [7.62]	50 [15.24]	75 [22.86]	100 [30.48]	100 [30.48]	100 [30.48]	100 [30.48]	100 [30.48]	100 [30.48]	100 [30.48]	100 [30.48]	100 [30.48]	100 [30.48]	100 [30.48]	100 [30.48]	100 [30.48]	
		1/2 [12.71]	25 [7.62]	50 [15.24]	75 [22.86]	100 [30.48]	105 [32]	105 [32]	105 [32]	105 [32]	105 [32]	105 [32]	105 [32]	105 [32]	105 [32]	105 [32]	105 [32]	105 [32]	
		N/R	25 [7.62]	50 [15.24]	75 [22.86]	100 [30.48]	105 [32]	105 [32]	105 [32]	105 [32]	105 [32]	105 [32]	105 [32]	105 [32]	105 [32]	105 [32]	105 [32]	105 [32]	

NOTES:

N/R = Application not recommended.

Grey = This application is acceptable, but the long line guidelines must be followed. Reference Long Line Set section in the I&O

[] Designates Metric Conversions



Air

Refrigerant Line Size Information (con't.)

R-410A System Capacity Model	Liquid Line Size Connection Size (Inch I.D.) [mm]	Vapor Line Size (Inch O.D.) [mm]	Suction Line Selection Chart														
			Outdoor unit Above or Below Indoor Coil Total Equivalent Length - Feet [m]														
			25 [7.62]	50 [15.24]	75 [22.86]	100 [30.48]	125 [45.72]	150 [45.72]	175 [53.34]	200 [60.96]	225 [68.58]	250 [76.20]	275 [83.82]	300 [91.44]			
18	3/8" [9.53]	5/8 [15.88]	1.00	0.99	0.99	0.98	0.98	0.98	0.97	0.97	0.97	0.96	0.96	0.96	0.96	0.95	
		3/4 [19.05]	1.00	1.00	1.00	1.00	1.00	1.00	0.99	0.99	0.99	0.99	0.99	0.99	0.99	0.99	
		7/8 [22.23]	N/R	N/R	N/R	N/R	N/R	N/R	N/R	N/R	N/R	N/R	N/R	N/R	N/R	N/R	N/R
		1 [25.4]	N/R	N/R	N/R	N/R	N/R	N/R	N/R	N/R	N/R	N/R	N/R	N/R	N/R	N/R	N/R
		1-1/8 [28.58]	N/R	N/R	N/R	N/R	N/R	N/R	N/R	N/R	N/R	N/R	N/R	N/R	N/R	N/R	N/R
24	3/8" [9.53]	5/8 [15.88]	0.99	1.00	0.99	0.98	0.97	0.97	0.97	0.96	0.95	0.94	0.94	0.93	0.93	0.94	
		3/4 [19.05]	1.00	1.01	1.01	1.01	1.01	1.01	1.00	1.00	0.99	0.99	0.99	0.99	0.99	0.99	
		7/8 [22.23]	1.00	1.00	1.01	1.00	1.02	1.01	1.01	1.01	1.01	1.01	1.01	1.01	1.01	1.01	
		1 [25.4]	N/R	N/R	N/R	N/R	N/R	N/R	N/R	N/R	N/R	N/R	N/R	N/R	N/R	N/R	
		1-1/8 [28.58]	N/R	N/R	N/R	N/R	N/R	N/R	N/R	N/R	N/R	N/R	N/R	N/R	N/R	N/R	
30	3/8" [9.53]	5/8 [15.88]	1.00	0.98	0.97	0.97	0.95	0.95	0.94	0.94	0.93	0.93	0.92	0.92	0.92	0.91	
		3/4 [19.05]	1.00	1.00	0.99	0.99	0.99	0.98	0.98	0.98	0.98	0.97	0.97	0.97	0.96		
		7/8 [22.23]	1.01	1.00	1.00	1.00	1.00	0.99	0.99	0.99	0.99	0.99	1.00	1.00	1.00		
		1 [25.4]	1.01	1.00	1.00	1.00	1.00	1.00	1.00	1.00	1.00	1.00	1.01	1.01	1.01		
		1-1/8 [28.58]	N/R	N/R	N/R	N/R	N/R	N/R	N/R	N/R	N/R	N/R	N/R	N/R	N/R		
36	3/8" [9.53]	5/8 [15.88]	0.99	0.98	0.97	0.96	0.95	0.95	0.93	0.93	0.91	0.90	0.90	0.89	0.88		
		3/4 [19.05]	1.00	1.00	0.99	0.99	0.98	0.98	0.99	0.99	0.97	0.97	0.96	0.96			
		7/8 [22.23]	1.01	1.01	1.00	1.00	1.00	0.99	0.99	0.99	0.99	0.99	0.99	0.99			
		1 [25.4]	1.01	1.01	1.01	1.00	1.00	1.00	1.01	1.01	1.00	1.00	1.00	1.00			
		1-1/8 [28.58]	N/R	N/R	N/R	N/R	N/R	N/R	N/R	N/R	N/R	N/R	N/R	N/R			
42	3/8" [9.53]	5/8 [15.88]	1.00	0.97	0.95	0.93	0.92	0.91	0.91	0.89	0.89	0.87	0.85	0.85	0.84		
		3/4 [19.05]	1.00	1.00	0.99	0.99	0.97	0.97	0.95	0.95	0.95	0.95	0.94	0.93			
		7/8 [22.23]	1.00	1.00	1.01	1.00	1.00	0.99	0.99	0.99	0.99	0.99	0.98	0.98			
		1 [25.4]	1.01	1.00	0.99	1.00	1.00	1.00	1.01	1.01	1.00	1.01	1.00	0.99			
		1-1/8 [28.58]	1.01	1.01	1.00	0.99	0.99	0.99	0.99	1.00	1.00	1.00	1.00	1.00			

[] Designates Metric Conversions

NOTES:
N/R = Application not recommended.
All calculations assume a 3/8" liquid line

Performance Data @ AHRI Standard Conditions – Cooling

High Sales Volume Tested Combination (HSVTC)								
Outdoor Unit	Indoor Coil	Total Capacity BTU/H [kW]	Net Sensible BTU/H [kW]	Net Latent BTU/H [kW]	SEER	EER	Indoor CFM [L/s]	AHRI#
RA1418WJ1	RCF2417STA+RXMD-C04	18000 [5.3]	13700 [4.0]	4300 [1.3]	14.00	12.20	600 [283.2]	8638040
RA1424WJ1	RCF2417STA+RXMD-C04	23800 [7.0]	18100 [5.3]	5700 [1.7]	14.00	12.20	800 [377.6]	8638132
RA1430WJ1	RCF3617STA+RXMD-C04	28400 [8.3]	20800 [6.1]	7600 [2.2]	14.00	12.20	950 [448.4]	8638201
RA1436WJ1	RCF3617STA+RXMD-C04	35800 [10.5]	25500 [7.5]	10300 [3.0]	14.00	12.20	1100 [519.1]	8638510
RA1442WJ1	RCF4821STA+RXMD-C04	40500 [11.9]	29900 [8.8]	10600 [3.1]	14.00	12.20	1350 [637.1]	8638853

Coil Only Ratings								
Outdoor Unit	Indoor Coil	Total Capacity BTU/H [kW]	Net Sensible BTU/H [kW]	Net Latent BTU/H [kW]	SEER	EER	Indoor CFM [L/s]	AHRI#
RA1418WJ1	RCF2414STA+RXMD-C04	18000 [5.3]	13700 [4.0]	4300 [1.3]	14.50	12.20	600 [283.2]	8637995
	RCF2417HTA+RXMD-C04	18000 [5.3]	12700 [3.7]	5300 [1.6]	14.00	12.20	600 [283.2]	8638010
	RCF2417MTA+RXMD-C04	18000 [5.3]	12700 [3.7]	5300 [1.6]	14.00	12.20	600 [283.2]	8638025
	RCF2421HTA+RXMD-C04	18000 [5.3]	12700 [3.7]	5300 [1.6]	14.00	12.20	600 [283.2]	8638056
	RCF2421MTA+RXMD-C04	18000 [5.3]	12700 [3.7]	5300 [1.6]	14.00	12.20	600 [283.2]	8638072
RA1424WJ1	RCF2414STA+RXMD-C04	24000 [7.0]	17400 [5.1]	6600 [1.9]	14.00	12.20	800 [377.6]	8638075
	RCF2417HTA+RXMD-C04	24000 [7.0]	17800 [5.2]	6200 [1.8]	14.50	12.20	800 [377.6]	8638094
	RCF2417MTA+RXMD-C04	24000 [7.0]	17800 [5.2]	6200 [1.8]	14.50	12.20	800 [377.6]	8638113
	RCF2421HTA+RXMD-C04	24000 [7.0]	17800 [5.2]	6200 [1.8]	14.50	12.20	800 [377.6]	8638156
	RCF2421MTA+RXMD-C04	24000 [7.0]	17800 [5.2]	6200 [1.8]	14.50	12.20	800 [377.6]	8638180
RA1430WJ1	RCF3621HTA+RXMD-C04	30000 [8.8]	22000 [6.4]	8000 [2.3]	14.50	12.20	1000 [471.9]	8638218
	RCF3621MTA+RXMD-C04	30000 [8.8]	20800 [6.1]	9200 [2.7]	14.50	12.20	1000 [471.9]	8638251
	RCF3621STA+RXMD-C04	28400 [8.3]	20800 [6.1]	7600 [2.2]	14.00	12.20	950 [448.4]	8638284
	RCF3624HTA+RXMD-C04	30000 [8.8]	22000 [6.4]	8000 [2.3]	14.50	12.20	1000 [471.9]	8638305
	RCF3624MTA+RXMD-C04	30000 [8.8]	20800 [6.1]	9200 [2.7]	14.50	12.20	1000 [471.9]	8638329
RA1436WJ1	RCF3621HTA+RXMD-C04	36000 [10.6]	25600 [7.5]	10400 [3.0]	14.50	12.20	1200 [566.3]	8638529
	RCF3621MTA+RXMD-C04	36000 [10.6]	25600 [7.5]	10400 [3.0]	14.50	12.20	1150 [542.7]	8638563
	RCF3621STA+RXMD-C04	35800 [10.5]	25500 [7.5]	10300 [3.0]	14.50	12.20	1100 [519.1]	8638597
	RCF3624HTA+RXMD-C04	36000 [10.6]	25600 [7.5]	10400 [3.0]	14.50	12.20	1200 [566.3]	8638622
	RCF3624MTA+RXMD-C04	36000 [10.6]	25600 [7.5]	10400 [3.0]	14.50	12.20	1200 [566.3]	8638649
RA1442WJ1	RCF4821MTA+RXMD-C04	41500 [12.2]	28900 [8.5]	12600 [3.7]	14.50	12.20	1400 [660.7]	8638817
	RCF4824HTA+RXMD-C04	42000 [12.3]	29300 [8.6]	12700 [3.7]	14.50	12.20	1400 [660.7]	8638880
	RCF4824STA+RXMD-C04	40500 [11.9]	29900 [8.8]	10600 [3.1]	14.00	12.20	1350 [637.1]	8638910

[] Designates Metric Conversions

Performance Data @ AHRI Standard Conditions – Cooling (con't.)

R801T: Classic Plus Single-Stage X-13 80% Furnace Ratings									
Outdoor Unit	Furnace	Indoor Coil	Total Capacity BTU/H [kW]	Net Sensible BTU/H [kW]	Net Latent BTU/H [kW]	SEER	EER	Indoor CFM [L/s]	AHRI#
RA1418WJ1	R801TA050314M	RCF2414STA	18000 [5.3]	13700 [4.0]	4300 [1.3]	16.00	13.00	625 [295.0]	8637993
RA1418WJ1	R801TA050314M	RCF2414STA	18000 [5.3]	13700 [4.0]	4300 [1.3]	16.00	13.00	625 [295.0]	8637993
		RCF2417HTA	18000 [5.3]	13700 [4.0]	4300 [1.3]	16.00	13.00	625 [295.0]	8637996
RA1418WJ1	R801TA050314M	RCF2417HTA	18000 [5.3]	13700 [4.0]	4300 [1.3]	16.00	13.00	625 [295.0]	8637996
		RCF2417MTA	18000 [5.3]	13700 [4.0]	4300 [1.3]	16.00	13.00	625 [295.0]	8638011
RA1418WJ1	R801TA050314M	RCF2417MTA	18000 [5.3]	13700 [4.0]	4300 [1.3]	16.00	13.00	625 [295.0]	8638011
		RCF2417STA	18000 [5.3]	13700 [4.0]	4300 [1.3]	16.00	13.00	625 [295.0]	8638026
RA1418WJ1	R801TA050314M	RCF2417STA	18000 [5.3]	13700 [4.0]	4300 [1.3]	16.00	13.00	625 [295.0]	8638026
RA1418WJ1	R801TA075317Z	RCF2417HTA	18000 [5.3]	13700 [4.0]	4300 [1.3]	16.00	13.00	650 [306.8]	8637997
RA1418WJ1	R801TA075317Z	RCF2417HTA	18000 [5.3]	13700 [4.0]	4300 [1.3]	16.00	13.00	650 [306.8]	8637997
		RCF2417MTA	18000 [5.3]	13700 [4.0]	4300 [1.3]	16.00	13.00	650 [306.8]	8638012
RA1418WJ1	R801TA075317Z	RCF2417MTA	18000 [5.3]	13700 [4.0]	4300 [1.3]	16.00	13.00	650 [306.8]	8638012
		RCF2417STA	18000 [5.3]	13700 [4.0]	4300 [1.3]	16.00	13.00	650 [306.8]	8638027
RA1418WJ1	R801TA075317Z	RCF2417STA	18000 [5.3]	13700 [4.0]	4300 [1.3]	16.00	13.00	650 [306.8]	8638027
		RCF2421HTA	18000 [5.3]	13700 [4.0]	4300 [1.3]	16.00	13.00	650 [306.8]	8638041
RA1418WJ1	R801TA075317Z	RCF2421HTA	18000 [5.3]	13700 [4.0]	4300 [1.3]	16.00	13.00	650 [306.8]	8638041
		RCF2421MTA	18000 [5.3]	13700 [4.0]	4300 [1.3]	16.00	13.00	650 [306.8]	8638057
RA1418WJ1	R801TA075317Z	RCF2421MTA	18000 [5.3]	13700 [4.0]	4300 [1.3]	16.00	13.00	650 [306.8]	8638057
RA1424WJ1	R801TA050314M	RCF2414STA	24000 [7.0]	18200 [5.3]	5800 [1.7]	15.50	13.00	800 [377.6]	8638073
RA1424WJ1	R801TA050314M	RCF2414STA	24000 [7.0]	18200 [5.3]	5800 [1.7]	15.50	13.00	800 [377.6]	8638073
		RCF2417HTA	24000 [7.0]	18200 [5.3]	5800 [1.7]	16.00	13.00	875 [413.0]	8638076
RA1424WJ1	R801TA050314M	RCF2417HTA	24000 [7.0]	18200 [5.3]	5800 [1.7]	16.00	13.00	875 [413.0]	8638076
		RCF2417MTA	24000 [7.0]	18200 [5.3]	5800 [1.7]	16.00	13.00	850 [401.2]	8638095
RA1424WJ1	R801TA050314M	RCF2417MTA	24000 [7.0]	18200 [5.3]	5800 [1.7]	16.00	13.00	850 [401.2]	8638095
		RCF2417STA	24000 [7.0]	18200 [5.3]	5800 [1.7]	16.00	13.00	825 [389.4]	8638114
RA1424WJ1	R801TA050314M	RCF2417STA	24000 [7.0]	18200 [5.3]	5800 [1.7]	16.00	13.00	825 [389.4]	8638114
RA1424WJ1	R801TA075317Z	RCF2417HTA	24000 [7.0]	18200 [5.3]	5800 [1.7]	16.00	13.00	875 [413.0]	8638077
RA1424WJ1	R801TA075317Z	RCF2417HTA	24000 [7.0]	18200 [5.3]	5800 [1.7]	16.00	13.00	875 [413.0]	8638077
		RCF2417MTA	24000 [7.0]	18200 [5.3]	5800 [1.7]	16.00	13.00	875 [413.0]	8638096
RA1424WJ1	R801TA075317Z	RCF2417MTA	24000 [7.0]	18200 [5.3]	5800 [1.7]	16.00	13.00	875 [413.0]	8638096
		RCF2417STA	23600 [6.9]	17500 [5.1]	6100 [1.8]	16.00	13.00	650 [306.8]	8638115
RA1424WJ1	R801TA075317Z	RCF2417STA	23600 [6.9]	17500 [5.1]	6100 [1.8]	16.00	13.00	650 [306.8]	8638115
		RCF2421HTA	24000 [7.0]	18200 [5.3]	5800 [1.7]	16.00	13.00	875 [413.0]	8638133
RA1424WJ1	R801TA075317Z	RCF2421HTA	24000 [7.0]	18200 [5.3]	5800 [1.7]	16.00	13.00	875 [413.0]	8638133
		RCF2421MTA	24000 [7.0]	18200 [5.3]	5800 [1.7]	16.00	13.00	875 [413.0]	8638157
RA1424WJ1	R801TA075317Z	RCF2421MTA	24000 [7.0]	18200 [5.3]	5800 [1.7]	16.00	13.00	875 [413.0]	8638157
RA1430WJ1	R801TA050314M	RCF3617STA	28600 [8.4]	20700 [6.1]	7900 [2.3]	15.50	13.00	850 [401.2]	8638181
RA1430WJ1	R801TA050314M	RCF3617STA	28600 [8.4]	20700 [6.1]	7900 [2.3]	15.50	13.00	850 [401.2]	8638181
RA1430WJ1	R801TA075317Z	RCF3617STA	28600 [8.4]	20800 [6.1]	7800 [2.3]	15.50	13.00	875 [413.0]	8638182
RA1430WJ1	R801TA075317Z	RCF3617STA	28600 [8.4]	20800 [6.1]	7800 [2.3]	15.50	13.00	875 [413.0]	8638182
		RCF3621MTA	30000 [8.8]	22000 [6.4]	8000 [2.3]	16.00	13.00	1075 [507.3]	8638219
RA1430WJ1	R801TA075317Z	RCF3621MTA	30000 [8.8]	22000 [6.4]	8000 [2.3]	16.00	13.00	1075 [507.3]	8638219
		RCF3621STA	28600 [8.4]	20800 [6.1]	7800 [2.3]	15.50	13.00	875 [413.0]	8638252
RA1430WJ1	R801TA075317Z	RCF3621STA	28600 [8.4]	20800 [6.1]	7800 [2.3]	15.50	13.00	875 [413.0]	8638252
RA1430WJ1	R801TA075417M	RCF3617STA	29200 [8.6]	21800 [6.4]	7400 [2.2]	15.50	13.00	1000 [471.9]	8638183
RA1430WJ1	R801TA075417M	RCF3617STA	29200 [8.6]	21800 [6.4]	7400 [2.2]	15.50	13.00	1000 [471.9]	8638183
		RCF3621HTA	30000 [8.8]	22000 [6.4]	8000 [2.3]	16.00	13.00	1050 [495.5]	8638202

[] Designates Metric Conversions

Performance Data @ AHRI Standard Conditions – Cooling (con't.)

R801T: Classic Plus Single-Stage X-13 80% Furnace Ratings									
Outdoor Unit	Furnace	Indoor Coil	Total Capacity BTU/H [kW]	Net Sensible BTU/H [kW]	Net Latent BTU/H [kW]	SEER	EER	Indoor CFM [L/s]	AHRI#
RA1430WJ1	R801TA075417M	RCF3621HTA	30000 [8.8]	22000 [6.4]	8000 [2.3]	16.00	13.00	1050 [495.5]	8638202
		RCF3621MTA	30000 [8.8]	22000 [6.4]	8000 [2.3]	16.00	13.00	1050 [495.5]	8638220
RA1430WJ1	R801TA075417M	RCF3621MTA	30000 [8.8]	22000 [6.4]	8000 [2.3]	16.00	13.00	1050 [495.5]	8638220
		RCF3621STA	29400 [8.6]	22100 [6.5]	7300 [2.1]	15.50	13.00	1025 [483.7]	8638253
RA1430WJ1	R801TA075417M	RCF3621STA	29400 [8.6]	22100 [6.5]	7300 [2.1]	15.50	13.00	1025 [483.7]	8638253
RA1430WJ1	R801TA075421M	RCF3621HTA	30000 [8.8]	22000 [6.4]	8000 [2.3]	16.00	13.00	1050 [495.5]	8638203
RA1430WJ1	R801TA075421M	RCF3621HTA	30000 [8.8]	22000 [6.4]	8000 [2.3]	16.00	13.00	1050 [495.5]	8638203
		RCF3621MTA	30000 [8.8]	22000 [6.4]	8000 [2.3]	16.00	13.00	1025 [483.7]	8638221
RA1430WJ1	R801TA075421M	RCF3621MTA	30000 [8.8]	22000 [6.4]	8000 [2.3]	16.00	13.00	1025 [483.7]	8638221
		RCF3621STA	29400 [8.6]	22100 [6.5]	7300 [2.1]	15.50	13.00	1025 [483.7]	8638254
RA1430WJ1	R801TA075421M	RCF3621STA	29400 [8.6]	22100 [6.5]	7300 [2.1]	15.50	13.00	1025 [483.7]	8638254
		RCF3624HTA	30000 [8.8]	22000 [6.4]	8000 [2.3]	16.00	13.00	1050 [495.5]	8638285
RA1430WJ1	R801TA075421M	RCF3624HTA	30000 [8.8]	22000 [6.4]	8000 [2.3]	16.00	13.00	1050 [495.5]	8638285
		RCF3624MTA	30000 [8.8]	22000 [6.4]	8000 [2.3]	16.00	13.00	1025 [483.7]	8638306
RA1430WJ1	R801TA075421M	RCF3624MTA	30000 [8.8]	22000 [6.4]	8000 [2.3]	16.00	13.00	1025 [483.7]	8638306
RA1430WJ1	R801TA075521Z	RCF3621MTA	30000 [8.8]	22000 [6.4]	8000 [2.3]	16.00	13.00	1000 [471.9]	8638222
RA1430WJ1	R801TA075521Z	RCF3621MTA	30000 [8.8]	22000 [6.4]	8000 [2.3]	16.00	13.00	1000 [471.9]	8638222
		RCF3621STA	29200 [8.6]	21700 [6.4]	7500 [2.2]	15.50	13.00	975 [460.1]	8638255
RA1430WJ1	R801TA075521Z	RCF3621STA	29200 [8.6]	21700 [6.4]	7500 [2.2]	15.50	13.00	975 [460.1]	8638255
		RCF3624HTA	30000 [8.8]	22000 [6.4]	8000 [2.3]	16.00	13.00	1025 [483.7]	8638286
RA1430WJ1	R801TA075521Z	RCF3624HTA	30000 [8.8]	22000 [6.4]	8000 [2.3]	16.00	13.00	1025 [483.7]	8638286
		RCF3624MTA	30000 [8.8]	22000 [6.4]	8000 [2.3]	16.00	13.00	1000 [471.9]	8638307
RA1430WJ1	R801TA075521Z	RCF3624MTA	30000 [8.8]	22000 [6.4]	8000 [2.3]	16.00	13.00	1000 [471.9]	8638307
RA1430WJ1	R801TA100521M	RCF3621HTA	30000 [8.8]	22000 [6.4]	8000 [2.3]	16.00	13.00	1075 [507.3]	8638204
RA1430WJ1	R801TA100521M	RCF3621HTA	30000 [8.8]	22000 [6.4]	8000 [2.3]	16.00	13.00	1075 [507.3]	8638204
		RCF3621MTA	30000 [8.8]	22000 [6.4]	8000 [2.3]	16.00	13.00	1050 [495.5]	8638223
RA1430WJ1	R801TA100521M	RCF3621MTA	30000 [8.8]	22000 [6.4]	8000 [2.3]	16.00	13.00	1050 [495.5]	8638223
		RCF3621STA	29200 [8.6]	21800 [6.4]	7400 [2.2]	15.50	13.00	1000 [471.9]	8638256
RA1430WJ1	R801TA100521M	RCF3621STA	29200 [8.6]	21800 [6.4]	7400 [2.2]	15.50	13.00	1000 [471.9]	8638256
		RCF3624MTA	30000 [8.8]	22000 [6.4]	8000 [2.3]	16.00	13.00	1050 [495.5]	8638308
RA1430WJ1	R801TA100521M	RCF3624MTA	30000 [8.8]	22000 [6.4]	8000 [2.3]	16.00	13.00	1050 [495.5]	8638308
RA1430WJ1	R801TA100521Z	RCF3621MTA	30000 [8.8]	22000 [6.4]	8000 [2.3]	16.00	13.00	975 [460.1]	8638224
RA1430WJ1	R801TA100521Z	RCF3621MTA	30000 [8.8]	22000 [6.4]	8000 [2.3]	16.00	13.00	975 [460.1]	8638224
		RCF3621STA	29200 [8.6]	21700 [6.4]	7500 [2.2]	15.50	13.00	975 [460.1]	8638257
RA1430WJ1	R801TA100521Z	RCF3621STA	29200 [8.6]	21700 [6.4]	7500 [2.2]	15.50	13.00	975 [460.1]	8638257
		RCF3624HTA	30000 [8.8]	22000 [6.4]	8000 [2.3]	16.00	13.00	1025 [483.7]	8638287
RA1430WJ1	R801TA100521Z	RCF3624HTA	30000 [8.8]	22000 [6.4]	8000 [2.3]	16.00	13.00	1025 [483.7]	8638287
		RCF3624MTA	30000 [8.8]	22000 [6.4]	8000 [2.3]	16.00	13.00	975 [460.1]	8638309
RA1430WJ1	R801TA100521Z	RCF3624MTA	30000 [8.8]	22000 [6.4]	8000 [2.3]	16.00	13.00	975 [460.1]	8638309
RA1430WJ1	R801TA125524Z	RCF3624HTA	30000 [8.8]	22000 [6.4]	8000 [2.3]	16.00	13.00	975 [460.1]	8638288
RA1430WJ1	R801TA125524Z	RCF3624HTA	30000 [8.8]	22000 [6.4]	8000 [2.3]	16.00	13.00	975 [460.1]	8638288
		RCF3624MTA	30000 [8.8]	22000 [6.4]	8000 [2.3]	16.00	13.00	925 [436.6]	8638310
RA1430WJ1	R801TA125524Z	RCF3624MTA	30000 [8.8]	22000 [6.4]	8000 [2.3]	16.00	13.00	925 [436.6]	8638310
RA1436WJ1	R801TA050314M	RCF3617STA	35600 [10.4]	24900 [7.3]	10700 [3.1]	15.10	12.50	1000 [471.9]	8638490
RA1436WJ1	R801TA050314M	RCF3617STA	35600 [10.4]	24900 [7.3]	10700 [3.1]	15.10	12.50	1000 [471.9]	8638490
RA1436WJ1	R801TA075317Z	RCF3617STA	35800 [10.5]	25300 [7.4]	10500 [3.1]	15.10	12.50	1050 [495.5]	8638491
RA1436WJ1	R801TA075317Z	RCF3617STA	35800 [10.5]	25300 [7.4]	10500 [3.1]	15.10	12.50	1050 [495.5]	8638491
		RCF3621MTA	36000 [10.6]	25600 [7.5]	10400 [3.0]	15.50	13.00	1075 [507.3]	8638530

[] Designates Metric Conversions



Performance Data @ AHRI Standard Conditions – Cooling (con't.)

R801T: Classic Plus Single-Stage X-13 80% Furnace Ratings									
Outdoor Unit	Furnace	Indoor Coil	Total Capacity BTU/H [kW]	Net Sensible BTU/H [kW]	Net Latent BTU/H [kW]	SEER	EER	Indoor CFM [L/s]	AHRI#
RA1436WJ1	R801TA075317Z	RCF3621MTA	36000 [10.6]	25600 [7.5]	10400 [3.0]	15.50	13.00	1075 [507.3]	8638530
		RCF3621STA	35800 [10.5]	25300 [7.4]	10500 [3.1]	15.10	12.50	1050 [495.5]	8638564
RA1436WJ1	R801TA075317Z	RCF3621STA	35800 [10.5]	25300 [7.4]	10500 [3.1]	15.10	12.50	1050 [495.5]	8638564
RA1436WJ1	R801TA075417M	RCF3617STA	36000 [10.6]	25600 [7.5]	10400 [3.0]	15.10	12.50	1125 [530.9]	8638492
RA1436WJ1	R801TA075417M	RCF3617STA	36000 [10.6]	25600 [7.5]	10400 [3.0]	15.10	12.50	1125 [530.9]	8638492
		RCF3621HTA	36000 [10.6]	25600 [7.5]	10400 [3.0]	16.00	13.00	1200 [566.3]	8638511
RA1436WJ1	R801TA075417M	RCF3621HTA	36000 [10.6]	25600 [7.5]	10400 [3.0]	16.00	13.00	1200 [566.3]	8638511
		RCF3621MTA	36000 [10.6]	25600 [7.5]	10400 [3.0]	15.50	13.00	1275 [601.7]	8638531
RA1436WJ1	R801TA075417M	RCF3621MTA	36000 [10.6]	25600 [7.5]	10400 [3.0]	15.50	13.00	1275 [601.7]	8638531
		RCF3621STA	35800 [10.5]	25100 [7.4]	10700 [3.1]	15.50	13.00	1000 [471.9]	8638565
RA1436WJ1	R801TA075417M	RCF3621STA	35800 [10.5]	25100 [7.4]	10700 [3.1]	15.50	13.00	1000 [471.9]	8638565
RA1436WJ1	R801TA075421M	RCF3621HTA	36000 [10.6]	25600 [7.5]	10400 [3.0]	16.00	13.00	1250 [589.9]	8638512
RA1436WJ1	R801TA075421M	RCF3621HTA	36000 [10.6]	25600 [7.5]	10400 [3.0]	16.00	13.00	1250 [589.9]	8638512
		RCF3621MTA	36000 [10.6]	25600 [7.5]	10400 [3.0]	15.50	13.00	1225 [578.1]	8638532
RA1436WJ1	R801TA075421M	RCF3621MTA	36000 [10.6]	25600 [7.5]	10400 [3.0]	15.50	13.00	1225 [578.1]	8638532
		RCF3621STA	35800 [10.5]	25100 [7.4]	10700 [3.1]	15.50	13.00	1000 [471.9]	8638566
RA1436WJ1	R801TA075421M	RCF3621STA	35800 [10.5]	25100 [7.4]	10700 [3.1]	15.50	13.00	1000 [471.9]	8638566
		RCF3624HTA	36000 [10.6]	25600 [7.5]	10400 [3.0]	16.00	13.00	1250 [589.9]	8638598
RA1436WJ1	R801TA075421M	RCF3624HTA	36000 [10.6]	25600 [7.5]	10400 [3.0]	16.00	13.00	1250 [589.9]	8638598
		RCF3624MTA	36000 [10.6]	25600 [7.5]	10400 [3.0]	15.50	13.00	1225 [578.1]	8638623
RA1436WJ1	R801TA075421M	RCF3624MTA	36000 [10.6]	25600 [7.5]	10400 [3.0]	15.50	13.00	1225 [578.1]	8638623
RA1436WJ1	R801TA075521Z	RCF3621MTA	36000 [10.6]	25600 [7.5]	10400 [3.0]	15.50	13.00	1225 [578.1]	8638533
RA1436WJ1	R801TA075521Z	RCF3621MTA	36000 [10.6]	25600 [7.5]	10400 [3.0]	15.50	13.00	1225 [578.1]	8638533
		RCF3621STA	35600 [10.4]	24700 [7.2]	10900 [3.2]	15.50	13.00	950 [448.4]	8638567
RA1436WJ1	R801TA075521Z	RCF3621STA	35600 [10.4]	24700 [7.2]	10900 [3.2]	15.50	13.00	950 [448.4]	8638567
		RCF3624HTA	36000 [10.6]	25600 [7.5]	10400 [3.0]	16.00	13.00	1250 [589.9]	8638599
RA1436WJ1	R801TA075521Z	RCF3624HTA	36000 [10.6]	25600 [7.5]	10400 [3.0]	16.00	13.00	1250 [589.9]	8638599
		RCF3624MTA	36000 [10.6]	25600 [7.5]	10400 [3.0]	15.50	13.00	1225 [578.1]	8638624
RA1436WJ1	R801TA075521Z	RCF3624MTA	36000 [10.6]	25600 [7.5]	10400 [3.0]	15.50	13.00	1225 [578.1]	8638624
RA1436WJ1	R801TA100521M	RCF3621HTA	36000 [10.6]	25600 [7.5]	10400 [3.0]	16.00	13.00	1075 [507.3]	8638513
RA1436WJ1	R801TA100521M	RCF3621HTA	36000 [10.6]	25600 [7.5]	10400 [3.0]	16.00	13.00	1075 [507.3]	8638513
		RCF3621MTA	36000 [10.6]	25600 [7.5]	10400 [3.0]	16.00	13.00	1050 [495.5]	8638534
RA1436WJ1	R801TA100521M	RCF3621MTA	36000 [10.6]	25600 [7.5]	10400 [3.0]	16.00	13.00	1050 [495.5]	8638534
		RCF3621STA	35800 [10.5]	25100 [7.4]	10700 [3.1]	15.50	13.00	1000 [471.9]	8638568
RA1436WJ1	R801TA100521M	RCF3621STA	35800 [10.5]	25100 [7.4]	10700 [3.1]	15.50	13.00	1000 [471.9]	8638568
		RCF3624HTA	36000 [10.6]	25600 [7.5]	10400 [3.0]	16.00	13.00	1100 [519.1]	8638600
RA1436WJ1	R801TA100521M	RCF3624HTA	36000 [10.6]	25600 [7.5]	10400 [3.0]	16.00	13.00	1100 [519.1]	8638600
		RCF3624MTA	36000 [10.6]	25600 [7.5]	10400 [3.0]	16.00	13.00	1050 [495.5]	8638625
RA1436WJ1	R801TA100521M	RCF3624MTA	36000 [10.6]	25600 [7.5]	10400 [3.0]	16.00	13.00	1050 [495.5]	8638625
RA1436WJ1	R801TA100521Z	RCF3621MTA	36000 [10.6]	25600 [7.5]	10400 [3.0]	15.50	13.00	1225 [578.1]	8638535
RA1436WJ1	R801TA100521Z	RCF3621MTA	36000 [10.6]	25600 [7.5]	10400 [3.0]	15.50	13.00	1225 [578.1]	8638535
		RCF3621STA	35600 [10.4]	24700 [7.2]	10900 [3.2]	15.50	13.00	950 [448.4]	8638569
RA1436WJ1	R801TA100521Z	RCF3621STA	35600 [10.4]	24700 [7.2]	10900 [3.2]	15.50	13.00	950 [448.4]	8638569
		RCF3624HTA	36000 [10.6]	25600 [7.5]	10400 [3.0]	16.00	13.00	1250 [589.9]	8638601
RA1436WJ1	R801TA100521Z	RCF3624HTA	36000 [10.6]	25600 [7.5]	10400 [3.0]	16.00	13.00	1250 [589.9]	8638601
		RCF3624MTA	36000 [10.6]	25600 [7.5]	10400 [3.0]	15.50	13.00	1225 [578.1]	8638626
RA1436WJ1	R801TA100521Z	RCF3624MTA	36000 [10.6]	25600 [7.5]	10400 [3.0]	15.50	13.00	1225 [578.1]	8638626
RA1436WJ1	R801TA125524M	RCF3624HTA	36000 [10.6]	25600 [7.5]	10400 [3.0]	16.00	13.00	1200 [566.3]	8638602

[] Designates Metric Conversions

Performance Data @ AHRI Standard Conditions – Cooling (con't.)

R801T: Classic Plus Single-Stage X-13 80% Furnace Ratings									
Outdoor Unit	Furnace	Indoor Coil	Total Capacity BTU/H [kW]	Net Sensible BTU/H [kW]	Net Latent BTU/H [kW]	SEER	EER	Indoor CFM [L/s]	AHRI#
RA1436WJ1	R801TA125524M	RCF3624HTA	36000 [10.6]	25600 [7.5]	10400 [3.0]	16.00	13.00	1200 [566.3]	8638602
		RCF3624MTA	36000 [10.6]	25600 [7.5]	10400 [3.0]	16.00	13.00	1175 [554.5]	8638627
RA1436WJ1	R801TA125524M	RCF3624MTA	36000 [10.6]	25600 [7.5]	10400 [3.0]	16.00	13.00	1175 [554.5]	8638627
RA1436WJ1	R801TA125524Z	RCF3624HTA	36000 [10.6]	25600 [7.5]	10400 [3.0]	16.00	13.00	1150 [542.7]	8638603
RA1436WJ1	R801TA125524Z	RCF3624HTA	36000 [10.6]	25600 [7.5]	10400 [3.0]	16.00	13.00	1150 [542.7]	8638603
		RCF3624MTA	36000 [10.6]	25600 [7.5]	10400 [3.0]	15.50	13.00	1100 [519.1]	8638628
RA1436WJ1	R801TA125524Z	RCF3624MTA	36000 [10.6]	25600 [7.5]	10400 [3.0]	15.50	13.00	1100 [519.1]	8638628
RA1442WJ1	R801TA075317Z	RCF4821MTA	40500 [11.9]	26900 [7.9]	13600 [4.0]	15.50	13.00	1125 [530.9]	8638782
RA1442WJ1	R801TA075317Z	RCF4821MTA	40500 [11.9]	26900 [7.9]	13600 [4.0]	15.50	13.00	1125 [530.9]	8638782
		RCF4821STA	39500 [11.6]	27400 [8.0]	12100 [3.5]	15.10	12.50	1075 [507.3]	8638818
RA1442WJ1	R801TA075317Z	RCF4821STA	39500 [11.6]	27400 [8.0]	12100 [3.5]	15.10	12.50	1075 [507.3]	8638818
RA1442WJ1	R801TA075417M	RCF4821MTA	41500 [12.2]	28800 [8.4]	12700 [3.7]	15.50	13.00	1300 [613.5]	8638783
RA1442WJ1	R801TA075417M	RCF4821MTA	41500 [12.2]	28800 [8.4]	12700 [3.7]	15.50	13.00	1300 [613.5]	8638783
		RCF4821STA	40500 [11.9]	29500 [8.6]	11000 [3.2]	15.10	12.50	1275 [601.7]	8638819
RA1442WJ1	R801TA075417M	RCF4821STA	40500 [11.9]	29500 [8.6]	11000 [3.2]	15.10	12.50	1275 [601.7]	8638819
RA1442WJ1	R801TA075421M	RCF4821MTA	41500 [12.2]	28500 [8.4]	13000 [3.8]	15.50	13.00	1250 [589.9]	8638784
RA1442WJ1	R801TA075421M	RCF4821MTA	41500 [12.2]	28500 [8.4]	13000 [3.8]	15.50	13.00	1250 [589.9]	8638784
		RCF4821STA	40500 [11.9]	29200 [8.6]	11300 [3.3]	15.10	12.50	1225 [578.1]	8638820
RA1442WJ1	R801TA075421M	RCF4821STA	40500 [11.9]	29200 [8.6]	11300 [3.3]	15.10	12.50	1225 [578.1]	8638820
		RCF4824HTA	41500 [12.2]	28200 [8.3]	13300 [3.9]	16.00	13.00	1225 [578.1]	8638854
RA1442WJ1	R801TA075421M	RCF4824HTA	41500 [12.2]	28200 [8.3]	13300 [3.9]	16.00	13.00	1225 [578.1]	8638854
		RCF4824STA	40500 [11.9]	29200 [8.6]	11300 [3.3]	15.10	12.50	1225 [578.1]	8638881
RA1442WJ1	R801TA075421M	RCF4824STA	40500 [11.9]	29200 [8.6]	11300 [3.3]	15.10	12.50	1225 [578.1]	8638881
RA1442WJ1	R801TA075521Z	RCF4821MTA	41500 [12.2]	28500 [8.4]	13000 [3.8]	15.50	13.00	1250 [589.9]	8638785
RA1442WJ1	R801TA075521Z	RCF4821MTA	41500 [12.2]	28500 [8.4]	13000 [3.8]	15.50	13.00	1250 [589.9]	8638785
		RCF4821STA	40500 [11.9]	29200 [8.6]	11300 [3.3]	15.10	12.50	1225 [578.1]	8638821
RA1442WJ1	R801TA075521Z	RCF4821STA	40500 [11.9]	29200 [8.6]	11300 [3.3]	15.10	12.50	1225 [578.1]	8638821
		RCF4824HTA	42000 [12.3]	28900 [8.5]	13100 [3.8]	15.50	13.00	1250 [589.9]	8638855
RA1442WJ1	R801TA075521Z	RCF4824HTA	42000 [12.3]	28900 [8.5]	13100 [3.8]	15.50	13.00	1250 [589.9]	8638855
		RCF4824STA	40500 [11.9]	29200 [8.6]	11300 [3.3]	15.10	12.50	1225 [578.1]	8638882
RA1442WJ1	R801TA075521Z	RCF4824STA	40500 [11.9]	29200 [8.6]	11300 [3.3]	15.10	12.50	1225 [578.1]	8638882
RA1442WJ1	R801TA100521M	RCF4821MTA	42000 [12.3]	29900 [8.8]	12100 [3.5]	15.50	13.00	1425 [672.5]	8638786
RA1442WJ1	R801TA100521M	RCF4821MTA	42000 [12.3]	29900 [8.8]	12100 [3.5]	15.50	13.00	1425 [672.5]	8638786
		RCF4821STA	41000 [12.0]	30700 [9.0]	10300 [3.0]	15.10	12.50	1400 [660.7]	8638822
RA1442WJ1	R801TA100521M	RCF4821STA	41000 [12.0]	30700 [9.0]	10300 [3.0]	15.10	12.50	1400 [660.7]	8638822
		RCF4824HTA	42000 [12.3]	31000 [9.1]	11000 [3.2]	16.00	13.00	1425 [672.5]	8638856
RA1442WJ1	R801TA100521M	RCF4824HTA	42000 [12.3]	31000 [9.1]	11000 [3.2]	16.00	13.00	1425 [672.5]	8638856
		RCF4824STA	41000 [12.0]	30700 [9.0]	10300 [3.0]	15.10	12.50	1400 [660.7]	8638883
RA1442WJ1	R801TA100521M	RCF4824STA	41000 [12.0]	30700 [9.0]	10300 [3.0]	15.10	12.50	1400 [660.7]	8638883
RA1442WJ1	R801TA100521Z	RCF4821MTA	41500 [12.2]	28500 [8.4]	13000 [3.8]	15.50	13.00	1250 [589.9]	8638787
RA1442WJ1	R801TA100521Z	RCF4821MTA	41500 [12.2]	28500 [8.4]	13000 [3.8]	15.50	13.00	1250 [589.9]	8638787
		RCF4821STA	40500 [11.9]	29200 [8.6]	11300 [3.3]	15.10	12.50	1225 [578.1]	8638823
RA1442WJ1	R801TA100521Z	RCF4821STA	40500 [11.9]	29200 [8.6]	11300 [3.3]	15.10	12.50	1225 [578.1]	8638823
		RCF4824HTA	42000 [12.3]	28900 [8.5]	13100 [3.8]	16.00	13.00	1250 [589.9]	8638857
RA1442WJ1	R801TA100521Z	RCF4824HTA	42000 [12.3]	28900 [8.5]	13100 [3.8]	16.00	13.00	1250 [589.9]	8638857
		RCF4824STA	40500 [11.9]	29200 [8.6]	11300 [3.3]	15.10	12.50	1225 [578.1]	8638884
RA1442WJ1	R801TA100521Z	RCF4824STA	40500 [11.9]	29200 [8.6]	11300 [3.3]	15.10	12.50	1225 [578.1]	8638884
RA1442WJ1	R801TA125524M	RCF4824HTA	42000 [12.3]	31000 [9.1]	11000 [3.2]	16.00	13.00	1375 [648.9]	8638858

[] Designates Metric Conversions

Performance Data @ AHRI Standard Conditions – Cooling (con't.)

R801T: Classic Plus Single-Stage X-13 80% Furnace Ratings									
Outdoor Unit	Furnace	Indoor Coil	Total Capacity BTU/H [kW]	Net Sensible BTU/H [kW]	Net Latent BTU/H [kW]	SEER	EER	Indoor CFM [L/s]	AHRI#
RA1442WJ1	R801TA125524M	RCF4824HTA	42000 [12.3]	31000 [9.1]	11000 [3.2]	16.00	13.00	1375 [648.9]	8638858
		RCF4824STA	40500 [11.9]	29000 [8.5]	11500 [3.4]	15.50	13.00	1175 [554.5]	8638885
RA1442WJ1	R801TA125524M	RCF4824STA	40500 [11.9]	29000 [8.5]	11500 [3.4]	15.50	13.00	1175 [554.5]	8638885
RA1442WJ1	R801TA125524Z	RCF4824HTA	41500 [12.2]	27800 [8.1]	13700 [4.0]	16.00	13.00	1150 [542.7]	8638859
RA1442WJ1	R801TA125524Z	RCF4824HTA	41500 [12.2]	27800 [8.1]	13700 [4.0]	16.00	13.00	1150 [542.7]	8638859
		RCF4824STA	41000 [12.0]	30400 [8.9]	10600 [3.1]	15.10	12.50	1350 [637.1]	8638886
RA1442WJ1	R801TA125524Z	RCF4824STA	41000 [12.0]	30400 [8.9]	10600 [3.1]	15.10	12.50	1350 [637.1]	8638886

[] Designates Metric Conversions

Performance Data @ AHRI Standard Conditions – Cooling (con't.)

R802V: Prestige 2-Stage 80% ECM Furnace Ratings									
Outdoor Unit	Furnace	Indoor Coil	Total Capacity BTU/H [kW]	Net Sensible BTU/H [kW]	Net Latent BTU/H [kW]	SEER	EER	Indoor CFM [L/s]	AHRI#
RA1418WJ1	R802VA050317M	RCF2417HTA	18000 [5.3]	13700 [4.0]	4300 [1.3]	16.00	13.00	675 [318.6]	8637998
		RCF2417MTA	18000 [5.3]	13700 [4.0]	4300 [1.3]	16.00	13.00	675 [318.6]	8638013
		RCF2417STA	18000 [5.3]	13700 [4.0]	4300 [1.3]	16.00	13.00	675 [318.6]	8638028
		RCF2421HTA	18000 [5.3]	13700 [4.0]	4300 [1.3]	16.00	13.00	675 [318.6]	8638042
		RCF2421MTA	18000 [5.3]	13700 [4.0]	4300 [1.3]	16.00	13.00	675 [318.6]	8638058
RA1418WJ1	R802VA075317M	RCF2417HTA	18000 [5.3]	13700 [4.0]	4300 [1.3]	16.00	13.00	675 [318.6]	8637999
		RCF2417MTA	18000 [5.3]	13700 [4.0]	4300 [1.3]	16.00	13.00	675 [318.6]	8638014
		RCF2417STA	18000 [5.3]	13700 [4.0]	4300 [1.3]	16.00	13.00	675 [318.6]	8638029
		RCF2421HTA	18000 [5.3]	13700 [4.0]	4300 [1.3]	16.00	13.00	675 [318.6]	8638043
		RCF2421MTA	18000 [5.3]	13700 [4.0]	4300 [1.3]	16.00	13.00	675 [318.6]	8638059
RA1418WJ1	R802VA075317Z	RCF2417HTA	18000 [5.3]	13700 [4.0]	4300 [1.3]	16.00	13.00	675 [318.6]	8638000
		RCF2417MTA	18000 [5.3]	13700 [4.0]	4300 [1.3]	16.00	13.00	675 [318.6]	8638015
		RCF2417STA	18000 [5.3]	13700 [4.0]	4300 [1.3]	16.00	13.00	675 [318.6]	8638030
		RCF2421HTA	18000 [5.3]	13700 [4.0]	4300 [1.3]	16.00	13.00	675 [318.6]	8638044
		RCF2421MTA	18000 [5.3]	13700 [4.0]	4300 [1.3]	16.00	13.00	675 [318.6]	8638060
RA1418WJ1	R802VA075421M	RCF2421HTA	18000 [5.3]	13700 [4.0]	4300 [1.3]	16.00	13.00	675 [318.6]	8638045
		RCF2421MTA	18000 [5.3]	13700 [4.0]	4300 [1.3]	16.00	13.00	675 [318.6]	8638061
RA1418WJ1	R802VA075421Z	RCF2421HTA	18000 [5.3]	13700 [4.0]	4300 [1.3]	16.00	13.00	650 [306.8]	8638046
		RCF2421MTA	18000 [5.3]	13700 [4.0]	4300 [1.3]	16.00	13.00	650 [306.8]	8638062
RA1424WJ1	R802VA050317M	RCF2417HTA	24000 [7.0]	18200 [5.3]	5800 [1.7]	16.00	13.00	775 [365.8]	8638078
		RCF2417MTA	24000 [7.0]	18200 [5.3]	5800 [1.7]	16.00	13.00	750 [354.0]	8638097
		RCF2417STA	23800 [7.0]	17700 [5.2]	6100 [1.8]	16.00	13.00	675 [318.6]	8638116
		RCF2421HTA	24000 [7.0]	18200 [5.3]	5800 [1.7]	16.00	13.00	750 [354.0]	8638134
		RCF2421MTA	24000 [7.0]	18200 [5.3]	5800 [1.7]	16.00	13.00	750 [354.0]	8638158
RA1424WJ1	R802VA075317M	RCF2417HTA	24000 [7.0]	18200 [5.3]	5800 [1.7]	16.00	13.00	875 [413.0]	8638079
		RCF2417MTA	24000 [7.0]	18200 [5.3]	5800 [1.7]	16.00	13.00	875 [413.0]	8638098
		RCF2417STA	24000 [7.0]	18200 [5.3]	5800 [1.7]	16.00	13.00	875 [413.0]	8638117
		RCF2421HTA	24000 [7.0]	18200 [5.3]	5800 [1.7]	16.00	13.00	875 [413.0]	8638135
		RCF2421MTA	24000 [7.0]	18200 [5.3]	5800 [1.7]	16.00	13.00	875 [413.0]	8638159
RA1424WJ1	R802VA075317Z	RCF2417HTA	24000 [7.0]	18200 [5.3]	5800 [1.7]	16.00	13.00	875 [413.0]	8638080
		RCF2417MTA	24000 [7.0]	18200 [5.3]	5800 [1.7]	16.00	13.00	875 [413.0]	8638099
		RCF2417STA	24000 [7.0]	18200 [5.3]	5800 [1.7]	16.00	13.00	825 [389.4]	8638118
		RCF2421HTA	24000 [7.0]	18200 [5.3]	5800 [1.7]	16.00	13.00	875 [413.0]	8638136
		RCF2421MTA	24000 [7.0]	18200 [5.3]	5800 [1.7]	16.00	13.00	875 [413.0]	8638160
RA1424WJ1	R802VA075421M	RCF2421HTA	24000 [7.0]	18200 [5.3]	5800 [1.7]	16.00	13.00	850 [401.2]	8638137
		RCF2421MTA	24000 [7.0]	18200 [5.3]	5800 [1.7]	16.00	13.00	850 [401.2]	8638161
RA1424WJ1	R802VA075421Z	RCF2421HTA	24000 [7.0]	18200 [5.3]	5800 [1.7]	16.00	13.00	875 [413.0]	8638138
		RCF2421MTA	24000 [7.0]	18200 [5.3]	5800 [1.7]	16.00	13.00	875 [413.0]	8638162
RA1424WJ1	R802VA100521M	RCF2421HTA	24000 [7.0]	18200 [5.3]	5800 [1.7]	16.00	13.00	850 [401.2]	8638139
		RCF2421MTA	24000 [7.0]	18200 [5.3]	5800 [1.7]	16.00	13.00	850 [401.2]	8638163
RA1430WJ1	R802VA050317M	RCF3617STA	28000 [8.2]	19700 [5.8]	8300 [2.4]	15.50	13.00	750 [354.0]	8638184
		RCF3621HTA	30000 [8.8]	20600 [6.0]	9400 [2.8]	16.00	13.00	875 [413.0]	8638205
		RCF3621MTA	29800 [8.7]	20400 [6.0]	9400 [2.8]	16.00	13.00	875 [413.0]	8638225
		RCF3621STA	28200 [8.3]	20000 [5.9]	8200 [2.4]	15.50	13.00	775 [365.8]	8638258
RA1430WJ1	R802VA075317M	RCF3617STA	28600 [8.4]	20800 [6.1]	7800 [2.3]	15.50	13.00	875 [413.0]	8638185
		RCF3621HTA	30000 [8.8]	22000 [6.4]	8000 [2.3]	16.00	13.00	1075 [507.3]	8638206
		RCF3621MTA	30000 [8.8]	22000 [6.4]	8000 [2.3]	16.00	13.00	1075 [507.3]	8638226
		RCF3621STA	29200 [8.6]	21700 [6.4]	7500 [2.2]	15.50	13.00	975 [460.1]	8638259

[] Designates Metric Conversions



Performance Data @ AHRI Standard Conditions – Cooling (con't.)

R802V: Prestige 2-Stage 80% ECM Furnace Ratings									
Outdoor Unit	Furnace	Indoor Coil	Total Capacity BTU/H [kW]	Net Sensible BTU/H [kW]	Net Latent BTU/H [kW]	SEER	EER	Indoor CFM [L/s]	AHRI#
RA1430WJ1	R802VA075317Z	RCF3617STA	28600 [8.4]	20800 [6.1]	7800 [2.3]	15.50	13.00	900 [424.8]	8638186
		RCF3621MTA	30000 [8.8]	22000 [6.4]	8000 [2.3]	16.00	13.00	1000 [471.9]	8638227
		RCF3621STA	28800 [8.4]	21000 [6.2]	7800 [2.3]	15.50	13.00	900 [424.8]	8638260
RA1430WJ1	R802VA075421M	RCF3621HTA	30000 [8.8]	22000 [6.4]	8000 [2.3]	16.00	13.00	1075 [507.3]	8638207
		RCF3621MTA	30000 [8.8]	22000 [6.4]	8000 [2.3]	16.00	13.00	1075 [507.3]	8638228
		RCF3621STA	29800 [8.7]	22700 [6.7]	7100 [2.1]	15.50	13.00	1100 [519.1]	8638261
		RCF3624HTA	30000 [8.8]	22000 [6.4]	8000 [2.3]	16.00	13.00	1075 [507.3]	8638289
		RCF3624MTA	30000 [8.8]	22000 [6.4]	8000 [2.3]	16.00	13.00	1075 [507.3]	8638311
RA1430WJ1	R802VA075421Z	RCF3621MTA	30000 [8.8]	22000 [6.4]	8000 [2.3]	16.00	13.00	1075 [507.3]	8638229
		RCF3621STA	29000 [8.5]	21300 [6.2]	7700 [2.3]	15.50	13.00	925 [436.6]	8638262
		RCF3624HTA	30000 [8.8]	22000 [6.4]	8000 [2.3]	16.00	13.00	1075 [507.3]	8638290
		RCF3624MTA	30000 [8.8]	22000 [6.4]	8000 [2.3]	16.00	13.00	1075 [507.3]	8638312
RA1430WJ1	R802VA100521M	RCF3621HTA	30000 [8.8]	22000 [6.4]	8000 [2.3]	16.00	13.00	1025 [483.7]	8638208
		RCF3621MTA	30000 [8.8]	22000 [6.4]	8000 [2.3]	16.00	13.00	1025 [483.7]	8638230
		RCF3621STA	29400 [8.6]	22100 [6.5]	7300 [2.1]	15.50	13.00	1025 [483.7]	8638263
		RCF3624HTA	30000 [8.8]	22000 [6.4]	8000 [2.3]	16.00	13.00	1025 [483.7]	8638291
		RCF3624MTA	30000 [8.8]	22000 [6.4]	8000 [2.3]	16.00	13.00	1025 [483.7]	8638313
RA1430WJ1	R802VA100521Z	RCF3621MTA	30000 [8.8]	22000 [6.4]	8000 [2.3]	16.00	13.00	1050 [495.5]	8638231
		RCF3621STA	29000 [8.5]	21500 [6.3]	7500 [2.2]	15.50	13.00	975 [460.1]	8638264
		RCF3624HTA	30000 [8.8]	22000 [6.4]	8000 [2.3]	16.00	13.00	1050 [495.5]	8638292
		RCF3624MTA	30000 [8.8]	22000 [6.4]	8000 [2.3]	16.00	13.00	1050 [495.5]	8638314
RA1430WJ1	R802VA125524M	RCF3624HTA	30000 [8.8]	22000 [6.4]	8000 [2.3]	16.00	13.00	1050 [495.5]	8638293
		RCF3624MTA	30000 [8.8]	22000 [6.4]	8000 [2.3]	16.00	13.00	1050 [495.5]	8638315
RA1430WJ1	R802VA125524Z	RCF3624HTA	30000 [8.8]	22000 [6.4]	8000 [2.3]	16.00	13.00	1075 [507.3]	8638294
		RCF3624MTA	30000 [8.8]	22000 [6.4]	8000 [2.3]	16.00	13.00	1075 [507.3]	8638316
RA1436WJ1	R802VA050317M	RCF3617STA	35800 [10.5]	25500 [7.5]	10300 [3.0]	14.50	12.20	1100 [519.1]	8638493
		RCF3621HTA	36000 [10.6]	25600 [7.5]	10400 [3.0]	16.00	13.00	1100 [519.1]	8638514
		RCF3621MTA	36000 [10.6]	25600 [7.5]	10400 [3.0]	15.10	12.50	1100 [519.1]	8638536
		RCF3621STA	35800 [10.5]	25500 [7.5]	10300 [3.0]	14.50	12.20	1100 [519.1]	8638570
RA1436WJ1	R802VA075317M	RCF3617STA	36000 [10.6]	25600 [7.5]	10400 [3.0]	15.10	12.50	1150 [542.7]	8638494
		RCF3621HTA	36000 [10.6]	25600 [7.5]	10400 [3.0]	16.00	13.00	1150 [542.7]	8638515
		RCF3621MTA	36000 [10.6]	25600 [7.5]	10400 [3.0]	15.50	13.00	1150 [542.7]	8638537
		RCF3621STA	35600 [10.4]	24800 [7.3]	10800 [3.2]	15.50	13.00	975 [460.1]	8638571
RA1436WJ1	R802VA075317Z	RCF3617STA	35800 [10.5]	25300 [7.4]	10500 [3.1]	15.10	12.50	1050 [495.5]	8638495
		RCF3621MTA	36000 [10.6]	25000 [7.3]	11000 [3.2]	15.50	13.00	1050 [495.5]	8638538
		RCF3621STA	35800 [10.5]	25300 [7.4]	10500 [3.1]	15.10	12.50	1050 [495.5]	8638572
RA1436WJ1	R802VA075421M	RCF3621HTA	36000 [10.6]	25600 [7.5]	10400 [3.0]	16.00	13.00	1250 [589.9]	8638516
		RCF3621MTA	36000 [10.6]	25600 [7.5]	10400 [3.0]	16.00	13.00	1125 [530.9]	8638539
		RCF3621STA	36000 [10.6]	25600 [7.5]	10400 [3.0]	15.50	13.00	1200 [566.3]	8638573
		RCF3624HTA	36000 [10.6]	25600 [7.5]	10400 [3.0]	16.00	13.00	1250 [589.9]	8638604
		RCF3624MTA	36000 [10.6]	25600 [7.5]	10400 [3.0]	16.00	13.00	1125 [530.9]	8638629
RA1436WJ1	R802VA075421Z	RCF3621MTA	36000 [10.6]	25600 [7.5]	10400 [3.0]	15.50	13.00	1200 [566.3]	8638540
		RCF3621STA	36000 [10.6]	25600 [7.5]	10400 [3.0]	15.10	12.50	1200 [566.3]	8638574
		RCF3624HTA	36000 [10.6]	25600 [7.5]	10400 [3.0]	16.00	13.00	1250 [589.9]	8638605
		RCF3624MTA	36000 [10.6]	25600 [7.5]	10400 [3.0]	15.50	13.00	1200 [566.3]	8638630

[] Designates Metric Conversions

Performance Data @ AHRI Standard Conditions – Cooling (con't.)

R802V: Prestige 2-Stage 80% ECM Furnace Ratings									
Outdoor Unit	Furnace	Indoor Coil	Total Capacity BTU/H [kW]	Net Sensible BTU/H [kW]	Net Latent BTU/H [kW]	SEER	EER	Indoor CFM [L/s]	AHRI#
RA1436WJ1	R802VA100521M	RCF3621HTA	36000 [10.6]	25600 [7.5]	10400 [3.0]	16.00	13.00	1250 [589.9]	8638517
		RCF3621MTA	36000 [10.6]	25600 [7.5]	10400 [3.0]	16.00	13.00	1250 [589.9]	8638541
		RCF3621STA	36000 [10.6]	25600 [7.5]	10400 [3.0]	15.50	13.00	1250 [589.9]	8638575
		RCF3624HTA	36000 [10.6]	25600 [7.5]	10400 [3.0]	16.00	13.00	1250 [589.9]	8638606
		RCF3624MTA	36000 [10.6]	25600 [7.5]	10400 [3.0]	16.00	13.00	1250 [589.9]	8638631
RA1436WJ1	R802VA100521Z	RCF3621MTA	36000 [10.6]	25600 [7.5]	10400 [3.0]	15.50	13.00	1250 [589.9]	8638542
		RCF3621STA	36000 [10.6]	25500 [7.5]	10500 [3.1]	15.50	13.00	1050 [495.5]	8638576
		RCF3624HTA	36000 [10.6]	25600 [7.5]	10400 [3.0]	16.00	13.00	1250 [589.9]	8638607
		RCF3624MTA	36000 [10.6]	25600 [7.5]	10400 [3.0]	15.50	13.00	1250 [589.9]	8638632
RA1436WJ1	R802VA125524M	RCF3624HTA	36000 [10.6]	25600 [7.5]	10400 [3.0]	16.00	13.00	1250 [589.9]	8638608
		RCF3624MTA	36000 [10.6]	25600 [7.5]	10400 [3.0]	16.00	13.00	1250 [589.9]	8638633
RA1436WJ1	R802VA125524Z	RCF3624HTA	36000 [10.6]	25600 [7.5]	10400 [3.0]	16.00	13.00	1250 [589.9]	8638609
		RCF3624MTA	36000 [10.6]	25600 [7.5]	10400 [3.0]	15.50	13.00	1250 [589.9]	8638634
RA1442WJ1	R802VA050317M	RCF4821MTA	40500 [11.9]	26700 [7.8]	13800 [4.0]	15.10	12.50	1100 [519.1]	8638788
		RCF4821STA	39500 [11.6]	27600 [8.1]	11900 [3.5]	14.50	12.20	1100 [519.1]	8638824
RA1442WJ1	R802VA075317M	RCF4821MTA	41000 [12.0]	27500 [8.1]	13500 [4.0]	15.50	13.00	1150 [542.7]	8638789
		RCF4821STA	40000 [11.7]	28300 [8.3]	11700 [3.4]	15.10	12.50	1150 [542.7]	8638825
RA1442WJ1	R802VA075317Z	RCF4821MTA	40500 [11.9]	26700 [7.8]	13800 [4.0]	15.50	13.00	1100 [519.1]	8638790
		RCF4821STA	39500 [11.6]	27600 [8.1]	11900 [3.5]	15.00	12.50	1100 [519.1]	8638826
RA1442WJ1	R802VA075421M	RCF4821MTA	40500 [11.9]	26700 [7.8]	13800 [4.0]	16.00	13.00	1100 [519.1]	8638791
		RCF4821STA	40000 [11.7]	28100 [8.2]	11900 [3.5]	15.50	13.00	1100 [519.1]	8638827
		RCF4824HTA	42000 [12.3]	31000 [9.1]	11000 [3.2]	16.00	13.00	1350 [637.1]	8638860
		RCF4824STA	40000 [11.7]	28100 [8.2]	11900 [3.5]	15.50	13.00	1100 [519.1]	8638887
RA1442WJ1	R802VA075421Z	RCF4821MTA	41000 [12.0]	28000 [8.2]	13000 [3.8]	15.50	13.00	1250 [589.9]	8638792
		RCF4821STA	40500 [11.9]	29400 [8.6]	11100 [3.3]	15.10	12.50	1250 [589.9]	8638828
		RCF4824HTA	42000 [12.3]	29100 [8.5]	12900 [3.8]	15.50	13.00	1300 [613.5]	8638861
		RCF4824STA	40500 [11.9]	29400 [8.6]	11100 [3.3]	15.10	12.50	1250 [589.9]	8638888
RA1442WJ1	R802VA100521M	RCF4821MTA	42000 [12.3]	29800 [8.7]	12200 [3.6]	16.00	13.00	1400 [660.7]	8638793
		RCF4821STA	41500 [12.2]	31200 [9.1]	10300 [3.0]	15.50	13.00	1400 [660.7]	8638829
		RCF4824HTA	42000 [12.3]	31000 [9.1]	11000 [3.2]	16.00	13.00	1400 [660.7]	8638862
		RCF4824STA	41500 [12.2]	31200 [9.1]	10300 [3.0]	15.50	13.00	1400 [660.7]	8638889
RA1442WJ1	R802VA100521Z	RCF4821MTA	42000 [12.3]	29800 [8.7]	12200 [3.6]	15.50	13.00	1400 [660.7]	8638794
		RCF4821STA	40500 [11.9]	29600 [8.7]	10900 [3.2]	15.10	12.50	1300 [613.5]	8638830
		RCF4824HTA	41500 [12.2]	28100 [8.2]	13400 [3.9]	16.00	13.00	1200 [566.3]	8638863
		RCF4824STA	40500 [11.9]	29600 [8.7]	10900 [3.2]	15.10	12.50	1300 [613.5]	8638890
RA1442WJ1	R802VA125524M	RCF4824HTA	42000 [12.3]	31000 [9.1]	11000 [3.2]	16.00	13.00	1475 [696.1]	8638864
		RCF4824STA	41500 [12.2]	31200 [9.1]	10300 [3.0]	15.50	13.00	1400 [660.7]	8638891
RA1442WJ1	R802VA125524Z	RCF4824HTA	42000 [12.3]	31000 [9.1]	11000 [3.2]	16.00	13.00	1325 [625.3]	8638865
		RCF4824STA	40000 [11.7]	27900 [8.2]	12100 [3.5]	15.50	13.00	1075 [507.3]	8638892

[] Designates Metric Conversions

Performance Data @ AHRI Standard Conditions – Cooling (con't.)

R95T: 95% AFUE single-stage Constant Torque Multipoise Gas Furnace Ratings									
Outdoor Unit	Furnace	Indoor Coil	Total Capacity BTU/H [kW]	Net Sensible BTU/H [kW]	Net Latent BTU/H [kW]	SEER	EER	Indoor CFM [L/s]	AHRI#
RA1418WJ1	R95TA0401317M	RCF2417HTA	18000 [5.3]	13700 [4.0]	4300 [1.3]	16.00	13.00	650 [306.8]	8638001
		RCF2417MTA	18000 [5.3]	13700 [4.0]	4300 [1.3]	16.00	13.00	650 [306.8]	8638016
		RCF2417STA	18000 [5.3]	13700 [4.0]	4300 [1.3]	16.00	13.00	650 [306.8]	8638031
		RCF2421HTA	18000 [5.3]	13700 [4.0]	4300 [1.3]	16.00	13.00	650 [306.8]	8638047
		RCF2421MTA	18000 [5.3]	13700 [4.0]	4300 [1.3]	16.00	13.00	650 [306.8]	8638063
RA1424WJ1	R95TA0401317M	RCF2417HTA	24000 [7.0]	18200 [5.3]	5800 [1.7]	16.00	13.00	875 [413.0]	8638081
		RCF2417MTA	24000 [7.0]	18200 [5.3]	5800 [1.7]	16.00	13.00	875 [413.0]	8638100
		RCF2417STA	24000 [7.0]	18200 [5.3]	5800 [1.7]	15.50	13.00	850 [401.2]	8638119
		RCF2421HTA	24000 [7.0]	18200 [5.3]	5800 [1.7]	16.00	13.00	875 [413.0]	8638140
		RCF2421MTA	24000 [7.0]	18200 [5.3]	5800 [1.7]	16.00	13.00	875 [413.0]	8638164
RA1424WJ1	R95TA0601317M	RCF2417HTA	24000 [7.0]	17600 [5.2]	6400 [1.9]	16.00	13.00	725 [342.2]	8638082
		RCF2417MTA	24000 [7.0]	18200 [5.3]	5800 [1.7]	15.50	13.00	875 [413.0]	8638101
		RCF2417STA	24000 [7.0]	18200 [5.3]	5800 [1.7]	15.50	13.00	825 [389.4]	8638120
		RCF2421HTA	24000 [7.0]	18200 [5.3]	5800 [1.7]	15.50	13.00	875 [413.0]	8638141
		RCF2421MTA	24000 [7.0]	18200 [5.3]	5800 [1.7]	15.50	13.00	875 [413.0]	8638165
RA1424WJ1	R95TA0701317M	RCF2417HTA	24000 [7.0]	18200 [5.3]	5800 [1.7]	15.50	13.00	850 [401.2]	8638083
		RCF2417MTA	24000 [7.0]	18200 [5.3]	5800 [1.7]	15.50	13.00	850 [401.2]	8638102
		RCF2417STA	24000 [7.0]	18200 [5.3]	5800 [1.7]	15.50	13.00	825 [389.4]	8638121
		RCF2421HTA	24000 [7.0]	18200 [5.3]	5800 [1.7]	15.50	13.00	850 [401.2]	8638142
		RCF2421MTA	24000 [7.0]	18200 [5.3]	5800 [1.7]	15.50	13.00	850 [401.2]	8638166
RA1430WJ1	R95TA0401317M	RCF3617STA	28600 [8.4]	20800 [6.1]	7800 [2.3]	15.50	13.00	875 [413.0]	8638187
		RCF3621HTA	30000 [8.8]	22000 [6.4]	8000 [2.3]	16.00	13.00	1000 [471.9]	8638209
		RCF3621MTA	30000 [8.8]	22000 [6.4]	8000 [2.3]	16.00	13.00	950 [448.4]	8638232
		RCF3621STA	28800 [8.4]	21200 [6.2]	7600 [2.2]	15.50	13.00	950 [448.4]	8638265
RA1430WJ1	R95TA0601317M	RCF3617STA	28400 [8.3]	20600 [6.0]	7800 [2.3]	15.10	12.50	875 [413.0]	8638188
		RCF3621HTA	30000 [8.8]	22000 [6.4]	8000 [2.3]	16.00	13.00	925 [436.6]	8638210
		RCF3621MTA	29800 [8.7]	20400 [6.0]	9400 [2.8]	16.00	13.00	875 [413.0]	8638233
		RCF3621STA	28600 [8.4]	20800 [6.1]	7800 [2.3]	15.10	12.50	900 [424.8]	8638266
RA1430WJ1	R95TA0701317M	RCF3617STA	28400 [8.3]	20500 [6.0]	7900 [2.3]	15.10	12.50	850 [401.2]	8638189
		RCF3621HTA	30000 [8.8]	20600 [6.0]	9400 [2.8]	16.00	13.00	875 [413.0]	8638211
		RCF3621MTA	29800 [8.7]	20400 [6.0]	9400 [2.8]	16.00	13.00	875 [413.0]	8638234
		RCF3621STA	28600 [8.4]	20800 [6.1]	7800 [2.3]	15.10	12.50	875 [413.0]	8638267
RA1436WJ1	R95TA0401317M	RCF3617STA	35800 [10.5]	25300 [7.4]	10500 [3.1]	15.10	12.50	1050 [495.5]	8638496
		RCF3621HTA	36000 [10.6]	25600 [7.5]	10400 [3.0]	16.00	13.00	1200 [566.3]	8638518
		RCF3621MTA	36000 [10.6]	25600 [7.5]	10400 [3.0]	15.50	13.00	1100 [519.1]	8638543
		RCF3621STA	36000 [10.6]	25600 [7.5]	10400 [3.0]	15.10	12.50	1075 [507.3]	8638577
RA1436WJ1	R95TA0601317M	RCF3617STA	35400 [10.4]	24700 [7.2]	10700 [3.1]	14.50	12.20	1000 [471.9]	8638497
		RCF3621HTA	36000 [10.6]	25600 [7.5]	10400 [3.0]	16.00	13.00	1075 [507.3]	8638519
		RCF3621MTA	36000 [10.6]	25000 [7.3]	11000 [3.2]	15.10	12.50	1050 [495.5]	8638544
		RCF3621STA	35600 [10.4]	25000 [7.3]	10600 [3.1]	14.50	12.20	1025 [483.7]	8638578
RA1436WJ1	R95TA0701317M	RCF3617STA	35600 [10.4]	25000 [7.3]	10600 [3.1]	14.50	12.20	1025 [483.7]	8638498
		RCF3621HTA	36000 [10.6]	25600 [7.5]	10400 [3.0]	16.00	13.00	1075 [507.3]	8638520
		RCF3621MTA	36000 [10.6]	25200 [7.4]	10800 [3.2]	15.10	12.50	1075 [507.3]	8638545
		RCF3621STA	35800 [10.5]	25500 [7.5]	10300 [3.0]	14.50	12.20	1100 [519.1]	8638579
RA1436WJ1	R95TA1151524M	RCF3624MTA	36000 [10.6]	25600 [7.5]	10400 [3.0]	15.00	12.50	1275 [601.7]	8638635

[] Designates Metric Conversions

Performance Data @ AHRI Standard Conditions – Cooling (con't.)

R95T: 95% AFUE single-stage Constant Torque Multipoise Gas Furnace Ratings									
Outdoor Unit	Furnace	Indoor Coil	Total Capacity BTU/H [kW]	Net Sensible BTU/H [kW]	Net Latent BTU/H [kW]	SEER	EER	Indoor CFM [L/s]	AHRI#
RA1436WJ1	R95TB0851521M	RCF3617STA	36000 [10.6]	25700 [7.5]	10300 [3.0]	14.50	12.20	1100 [519.1]	8638499
		RCF3621HTA	36000 [10.6]	25600 [7.5]	10400 [3.0]	16.00	13.00	1225 [578.1]	8638521
		RCF3621MTA	36000 [10.6]	25600 [7.5]	10400 [3.0]	15.10	12.50	1200 [566.3]	8638546
		RCF3621STA	36000 [10.6]	25600 [7.5]	10400 [3.0]	14.50	12.20	1125 [530.9]	8638580
		RCF3624HTA	36000 [10.6]	25600 [7.5]	10400 [3.0]	16.00	13.00	1225 [578.1]	8638610
		RCF3624MTA	36000 [10.6]	25600 [7.5]	10400 [3.0]	15.10	12.50	1200 [566.3]	8638636
RA1442WJ1	R95TA0401317M	RCF4821MTA	40500 [11.9]	26900 [7.9]	13600 [4.0]	15.50	13.00	1125 [530.9]	8638795
		RCF4821STA	40000 [11.7]	28100 [8.2]	11900 [3.5]	15.10	12.50	1100 [519.1]	8638831
RA1442WJ1	R95TA0601317M	RCF4821MTA	41000 [12.0]	28000 [8.2]	13000 [3.8]	14.50	12.20	1250 [589.9]	8638796
		RCF4821STA	40000 [11.7]	28700 [8.4]	11300 [3.3]	14.00	12.20	1225 [578.1]	8638832
RA1442WJ1	R95TA0701317M	RCF4821MTA	40000 [11.7]	26100 [7.6]	13900 [4.1]	15.00	12.50	1075 [507.3]	8638797
		RCF4821STA	39500 [11.6]	27700 [8.1]	11800 [3.5]	14.50	12.20	1125 [530.9]	8638833
RA1442WJ1	R95TA0851521M	RCF4821MTA	41500 [12.2]	29000 [8.5]	12500 [3.7]	15.10	12.50	1350 [637.1]	8638798
		RCF4821STA	40500 [11.9]	29800 [8.7]	10700 [3.1]	14.50	12.20	1325 [625.3]	8638834
		RCF4824HTA	42000 [12.3]	29400 [8.6]	12600 [3.7]	15.10	12.50	1375 [648.9]	8638866
		RCF4824STA	40500 [11.9]	29800 [8.7]	10700 [3.1]	14.50	12.20	1325 [625.3]	8638893
RA1442WJ1	R95TA1001521M	RCF4821MTA	42000 [12.3]	29900 [8.8]	12100 [3.5]	15.00	12.50	1425 [672.5]	8638799
		RCF4821STA	41000 [12.0]	30700 [9.0]	10300 [3.0]	14.50	12.20	1400 [660.7]	8638835
		RCF4824HTA	42000 [12.3]	31000 [9.1]	11000 [3.2]	15.10	12.50	1450 [684.3]	8638867
		RCF4824STA	41000 [12.0]	30700 [9.0]	10300 [3.0]	14.50	12.20	1400 [660.7]	8638894
RA1442WJ1	R95TA1151524M	RCF4824HTA	42000 [12.3]	29200 [8.6]	12800 [3.8]	15.10	12.50	1325 [625.3]	8638868
		RCF4824STA	40500 [11.9]	29500 [8.6]	11000 [3.2]	14.50	12.20	1275 [601.7]	8638895
RA1442WJ1	R95TB0851521M	RCF4821MTA	41000 [12.0]	27900 [8.2]	13100 [3.8]	15.10	12.50	1225 [578.1]	8638800
		RCF4821STA	40000 [11.7]	28600 [8.4]	11400 [3.3]	14.50	12.20	1200 [566.3]	8638836
		RCF4824HTA	41500 [12.2]	28200 [8.3]	13300 [3.9]	15.50	13.00	1225 [578.1]	8638869
		RCF4824STA	40000 [11.7]	28600 [8.4]	11400 [3.3]	14.50	12.20	1200 [566.3]	8638896

[] Designates Metric Conversions

Performance Data @ AHRI Standard Conditions – Cooling (con't.)

R96V: 96% AFUE 2-stage Variable Speed Multipoise Gas Furnace Ratings									
Outdoor Unit	Furnace	Indoor Coil	Total Capacity BTU/H [kW]	Net Sensible BTU/H [kW]	Net Latent BTU/H [kW]	SEER	EER	Indoor CFM [L/s]	AHRI#
RA1418WJ1	R96VA0402317M	RCF2417HTA	18000 [5.3]	13700 [4.0]	4300 [1.3]	16.00	13.00	675 [318.6]	8638002
		RCF2417MTA	18000 [5.3]	13700 [4.0]	4300 [1.3]	16.00	13.00	675 [318.6]	8638017
		RCF2417STA	18000 [5.3]	13700 [4.0]	4300 [1.3]	16.00	13.00	675 [318.6]	8638032
		RCF2421HTA	18000 [5.3]	13700 [4.0]	4300 [1.3]	16.00	13.00	675 [318.6]	8638048
		RCF2421MTA	18000 [5.3]	13700 [4.0]	4300 [1.3]	16.00	13.00	675 [318.6]	8638064
RA1418WJ1	R96VA0602317M	RCF2417HTA	18000 [5.3]	13700 [4.0]	4300 [1.3]	16.00	13.00	650 [306.8]	8638003
		RCF2417MTA	18000 [5.3]	13700 [4.0]	4300 [1.3]	16.00	13.00	650 [306.8]	8638018
		RCF2417STA	18000 [5.3]	13700 [4.0]	4300 [1.3]	16.00	13.00	650 [306.8]	8638033
		RCF2421HTA	18000 [5.3]	13700 [4.0]	4300 [1.3]	16.00	13.00	650 [306.8]	8638049
		RCF2421MTA	18000 [5.3]	13700 [4.0]	4300 [1.3]	16.00	13.00	650 [306.8]	8638065
RA1418WJ1	R96VA0702317M	RCF2417HTA	18000 [5.3]	13700 [4.0]	4300 [1.3]	16.00	13.00	650 [306.8]	8638004
		RCF2417MTA	18000 [5.3]	13700 [4.0]	4300 [1.3]	16.00	13.00	650 [306.8]	8638019
		RCF2417STA	18000 [5.3]	13700 [4.0]	4300 [1.3]	16.00	13.00	650 [306.8]	8638034
		RCF2421HTA	18000 [5.3]	13700 [4.0]	4300 [1.3]	16.00	13.00	650 [306.8]	8638050
		RCF2421MTA	18000 [5.3]	13700 [4.0]	4300 [1.3]	16.00	13.00	650 [306.8]	8638066
RA1424WJ1	R96VA0402317M	RCF2417HTA	24000 [7.0]	18200 [5.3]	5800 [1.7]	16.00	13.00	850 [401.2]	8638084
		RCF2417MTA	24000 [7.0]	18200 [5.3]	5800 [1.7]	16.00	13.00	750 [354.0]	8638103
		RCF2417STA	23600 [6.9]	17500 [5.1]	6100 [1.8]	16.00	13.00	650 [306.8]	8638122
		RCF2421HTA	24000 [7.0]	18200 [5.3]	5800 [1.7]	16.00	13.00	750 [354.0]	8638143
		RCF2421MTA	24000 [7.0]	18200 [5.3]	5800 [1.7]	16.00	13.00	750 [354.0]	8638167
RA1424WJ1	R96VA0602317M	RCF2417HTA	24000 [7.0]	18200 [5.3]	5800 [1.7]	15.50	13.00	850 [401.2]	8638085
		RCF2417MTA	24000 [7.0]	18200 [5.3]	5800 [1.7]	15.50	13.00	850 [401.2]	8638104
		RCF2417STA	24000 [7.0]	18200 [5.3]	5800 [1.7]	15.50	13.00	850 [401.2]	8638123
		RCF2421HTA	24000 [7.0]	18200 [5.3]	5800 [1.7]	15.50	13.00	850 [401.2]	8638144
		RCF2421MTA	24000 [7.0]	18200 [5.3]	5800 [1.7]	15.50	13.00	850 [401.2]	8638168
RA1424WJ1	R96VA0702317M	RCF2417HTA	24000 [7.0]	18200 [5.3]	5800 [1.7]	16.00	13.00	800 [377.6]	8638086
		RCF2417MTA	24000 [7.0]	18200 [5.3]	5800 [1.7]	16.00	13.00	800 [377.6]	8638105
		RCF2417STA	24000 [7.0]	18200 [5.3]	5800 [1.7]	16.00	13.00	775 [365.8]	8638124
		RCF2421HTA	24000 [7.0]	18200 [5.3]	5800 [1.7]	16.00	13.00	800 [377.6]	8638145
		RCF2421MTA	24000 [7.0]	18200 [5.3]	5800 [1.7]	16.00	13.00	800 [377.6]	8638169
RA1424WJ1	R96VA0852521M	RCF2421HTA	24000 [7.0]	18200 [5.3]	5800 [1.7]	16.00	13.00	775 [365.8]	8638146
		RCF2421MTA	24000 [7.0]	18200 [5.3]	5800 [1.7]	16.00	13.00	775 [365.8]	8638170
RA1424WJ1	R96VA1002521M	RCF2421HTA	24000 [7.0]	18200 [5.3]	5800 [1.7]	16.00	13.00	875 [413.0]	8638147
		RCF2421MTA	24000 [7.0]	18200 [5.3]	5800 [1.7]	16.00	13.00	875 [413.0]	8638171
RA1430WJ1	R96VA0402317M	RCF3617STA	28600 [8.4]	20800 [6.1]	7800 [2.3]	15.50	13.00	875 [413.0]	8638190
		RCF3621HTA	30000 [8.8]	22000 [6.4]	8000 [2.3]	16.00	13.00	1025 [483.7]	8638212
		RCF3621MTA	30000 [8.8]	22000 [6.4]	8000 [2.3]	16.00	13.00	950 [448.4]	8638235
		RCF3621STA	28600 [8.4]	20800 [6.1]	7800 [2.3]	15.50	13.00	875 [413.0]	8638268
RA1430WJ1	R96VA0602317M	RCF3617STA	28600 [8.4]	20800 [6.1]	7800 [2.3]	15.10	12.50	900 [424.8]	8638191
		RCF3621HTA	30000 [8.8]	22000 [6.4]	8000 [2.3]	16.00	13.00	975 [460.1]	8638213
		RCF3621MTA	29800 [8.7]	20500 [6.0]	9300 [2.7]	16.00	13.00	900 [424.8]	8638236
		RCF3621STA	28800 [8.4]	21200 [6.2]	7600 [2.2]	15.10	12.50	950 [448.4]	8638269
RA1430WJ1	R96VA0702317M	RCF3617STA	28200 [8.3]	20100 [5.9]	8100 [2.4]	15.50	13.00	800 [377.6]	8638192
		RCF3621HTA	30000 [8.8]	22000 [6.4]	8000 [2.3]	16.00	13.00	1050 [495.5]	8638214
		RCF3621MTA	30000 [8.8]	22000 [6.4]	8000 [2.3]	16.00	13.00	950 [448.4]	8638237
		RCF3621STA	28600 [8.4]	20800 [6.1]	7800 [2.3]	15.50	13.00	875 [413.0]	8638270

[] Designates Metric Conversions

Performance Data @ AHRI Standard Conditions – Cooling (con't.)

R96V: 96% AFUE 2-stage Variable Speed Multipoise Gas Furnace Ratings									
Outdoor Unit	Furnace	Indoor Coil	Total Capacity BTU/H [kW]	Net Sensible BTU/H [kW]	Net Latent BTU/H [kW]	SEER	EER	Indoor CFM [L/s]	AHRI#
RA1430WJ1	R96VA0852521M	RCF3621HTA	30000 [8.8]	22000 [6.4]	8000 [2.3]	16.00	13.00	1075 [507.3]	8638215
		RCF3621MTA	30000 [8.8]	22000 [6.4]	8000 [2.3]	16.00	13.00	1075 [507.3]	8638238
		RCF3621STA	28800 [8.4]	21000 [6.2]	7800 [2.3]	15.50	13.00	900 [424.8]	8638271
		RCF3624HTA	30000 [8.8]	22000 [6.4]	8000 [2.3]	16.00	13.00	1075 [507.3]	8638295
		RCF3624MTA	30000 [8.8]	22000 [6.4]	8000 [2.3]	16.00	13.00	1075 [507.3]	8638317
RA1430WJ1	R96VA1002521M	RCF3621HTA	30000 [8.8]	22000 [6.4]	8000 [2.3]	16.00	13.00	1050 [495.5]	8638216
		RCF3621MTA	30000 [8.8]	22000 [6.4]	8000 [2.3]	16.00	13.00	1050 [495.5]	8638239
		RCF3621STA	29000 [8.5]	21400 [6.3]	7600 [2.2]	15.50	13.00	950 [448.4]	8638272
		RCF3624HTA	30000 [8.8]	22000 [6.4]	8000 [2.3]	16.00	13.00	1050 [495.5]	8638296
		RCF3624MTA	30000 [8.8]	22000 [6.4]	8000 [2.3]	16.00	13.00	1050 [495.5]	8638318
RA1430WJ1	R96VA1152524M	RCF3624HTA	30000 [8.8]	22000 [6.4]	8000 [2.3]	16.00	13.00	1050 [495.5]	8638297
		RCF3624MTA	30000 [8.8]	22000 [6.4]	8000 [2.3]	16.00	13.00	1050 [495.5]	8638319
RA1436WJ1	R96VA0402317M	RCF3617STA	35400 [10.4]	24500 [7.2]	10900 [3.2]	15.10	12.50	950 [448.4]	8638500
		RCF3621HTA	36000 [10.6]	25600 [7.5]	10400 [3.0]	16.00	13.00	1125 [530.9]	8638522
		RCF3621MTA	36000 [10.6]	24900 [7.3]	11100 [3.3]	15.50	13.00	1025 [483.7]	8638547
		RCF3621STA	35800 [10.5]	25200 [7.4]	10600 [3.1]	15.10	12.50	1025 [483.7]	8638581
RA1436WJ1	R96VA0602317M	RCF3617STA	35200 [10.3]	24300 [7.1]	10900 [3.2]	15.00	12.50	950 [448.4]	8638501
		RCF3621HTA	36000 [10.6]	25600 [7.5]	10400 [3.0]	16.00	13.00	1050 [495.5]	8638523
		RCF3621MTA	36000 [10.6]	25000 [7.3]	11000 [3.2]	15.10	12.50	1050 [495.5]	8638548
		RCF3621STA	35400 [10.4]	24600 [7.2]	10800 [3.2]	15.00	12.50	975 [460.1]	8638582
RA1436WJ1	R96VA0702317M	RCF3617STA	35400 [10.4]	24500 [7.2]	10900 [3.2]	15.10	12.50	950 [448.4]	8638502
		RCF3621HTA	36000 [10.6]	25600 [7.5]	10400 [3.0]	16.00	13.00	1150 [542.7]	8638524
		RCF3621MTA	35600 [10.4]	24200 [7.1]	11400 [3.3]	15.50	13.00	950 [448.4]	8638549
		RCF3621STA	35400 [10.4]	24500 [7.2]	10900 [3.2]	15.10	12.50	950 [448.4]	8638583
RA1436WJ1	R96VA0852521M	RCF3621HTA	36000 [10.6]	25600 [7.5]	10400 [3.0]	16.00	13.00	1275 [601.7]	8638525
		RCF3621MTA	36000 [10.6]	25600 [7.5]	10400 [3.0]	15.50	13.00	1150 [542.7]	8638550
		RCF3621STA	36000 [10.6]	25600 [7.5]	10400 [3.0]	15.10	12.50	1150 [542.7]	8638584
		RCF3624HTA	36000 [10.6]	25600 [7.5]	10400 [3.0]	16.00	13.00	1275 [601.7]	8638611
		RCF3624MTA	36000 [10.6]	25600 [7.5]	10400 [3.0]	15.50	13.00	1150 [542.7]	8638637
RA1436WJ1	R96VA1002521M	RCF3621HTA	36000 [10.6]	25600 [7.5]	10400 [3.0]	16.00	13.00	1250 [589.9]	8638526
		RCF3621MTA	36000 [10.6]	25600 [7.5]	10400 [3.0]	15.50	13.00	1225 [578.1]	8638551
		RCF3621STA	36000 [10.6]	25600 [7.5]	10400 [3.0]	15.10	12.50	1200 [566.3]	8638585
		RCF3624HTA	36000 [10.6]	25600 [7.5]	10400 [3.0]	16.00	13.00	1250 [589.9]	8638612
		RCF3624MTA	36000 [10.6]	25600 [7.5]	10400 [3.0]	15.50	13.00	1225 [578.1]	8638638
RA1436WJ1	R96VA1152524M	RCF3624HTA	36000 [10.6]	25600 [7.5]	10400 [3.0]	16.00	13.00	1250 [589.9]	8638613
		RCF3624MTA	36000 [10.6]	25600 [7.5]	10400 [3.0]	16.00	13.00	1100 [519.1]	8638639
RA1442WJ1	R96VA0402317M	RCF4821MTA	40500 [11.9]	26900 [7.9]	13600 [4.0]	15.10	12.50	1125 [530.9]	8638801
		RCF4821STA	39500 [11.6]	27700 [8.1]	11800 [3.5]	14.50	12.20	1125 [530.9]	8638837
RA1442WJ1	R96VA0602317M	RCF4821MTA	40500 [11.9]	26900 [7.9]	13600 [4.0]	15.00	12.50	1125 [530.9]	8638802
		RCF4821STA	39500 [11.6]	27700 [8.1]	11800 [3.5]	14.50	12.20	1125 [530.9]	8638838
RA1442WJ1	R96VA0702317M	RCF4821MTA	40500 [11.9]	27000 [7.9]	13500 [4.0]	15.10	12.50	1150 [542.7]	8638803
		RCF4821STA	40000 [11.7]	28300 [8.3]	11700 [3.4]	14.50	12.20	1150 [542.7]	8638839
RA1442WJ1	R96VA0852521M	RCF4821MTA	41000 [12.0]	27900 [8.2]	13100 [3.8]	15.50	13.00	1225 [578.1]	8638804
		RCF4821STA	40000 [11.7]	28300 [8.3]	11700 [3.4]	15.10	12.50	1150 [542.7]	8638840
		RCF4824HTA	42000 [12.3]	29100 [8.5]	12900 [3.8]	15.50	13.00	1300 [613.5]	8638870
		RCF4824STA	40000 [11.7]	28300 [8.3]	11700 [3.4]	15.10	12.50	1150 [542.7]	8638897

[] Designates Metric Conversions

Performance Data @ AHRI Standard Conditions – Cooling (con't.)

R96V: 96% AFUE 2-stage Variable Speed Multipoise Gas Furnace Ratings									
Outdoor Unit	Furnace	Indoor Coil	Total Capacity BTU/H [kW]	Net Sensible BTU/H [kW]	Net Latent BTU/H [kW]	SEER	EER	Indoor CFM [L/s]	AHRI#
RA1442WJ1	R96VA1002521M	RCF4821MTA	41000 [12.0]	28000 [8.2]	13000 [3.8]	15.50	13.00	1250 [589.9]	8638805
		RCF4821STA	40500 [11.9]	29200 [8.6]	11300 [3.3]	15.10	12.50	1225 [578.1]	8638841
		RCF4824HTA	41000 [12.0]	27100 [7.9]	13900 [4.1]	16.00	13.00	1100 [519.1]	8638871
		RCF4824STA	40500 [11.9]	29200 [8.6]	11300 [3.3]	15.10	12.50	1225 [578.1]	8638898
RA1442WJ1	R96VA1152524M	RCF4824HTA	42000 [12.3]	31000 [9.1]	11000 [3.2]	16.00	13.00	1350 [637.1]	8638872
		RCF4824STA	40000 [11.7]	28300 [8.3]	11700 [3.4]	15.50	13.00	1150 [542.7]	8638899

RHWB Hydronic Air Handler Ratings									
Outdoor Unit	Furnace	Indoor Coil	Total Capacity BTU/H [kW]	Net Sensible BTU/H [kW]	Net Latent BTU/H [kW]	SEER	EER	Indoor CFM [L/s]	AHRI#
RA1424WJ1	RHWB-04WMX36B	RCF2417HTA	24000 [7.0]	18200 [5.3]	5800 [1.7]	16.00	13.00	875 [413.0]	8638087
		RCF2417MTA	24000 [7.0]	18200 [5.3]	5800 [1.7]	16.00	13.00	875 [413.0]	8638106
		RCF2417STA	24000 [7.0]	18200 [5.3]	5800 [1.7]	16.00	13.00	875 [413.0]	8638125
		RCF2421HTA	24000 [7.0]	18200 [5.3]	5800 [1.7]	16.00	13.00	875 [413.0]	8638148
		RCF2421MTA	24000 [7.0]	18200 [5.3]	5800 [1.7]	16.00	13.00	875 [413.0]	8638172
RA1430WJ1	RHWB-04WMX36B	RCF3617STA	28600 [8.4]	20800 [6.1]	7800 [2.3]	15.50	13.00	875 [413.0]	8638193
		RCF3621MTA	30000 [8.8]	22000 [6.4]	8000 [2.3]	16.00	13.00	1075 [507.3]	8638240
		RCF3621STA	28800 [8.4]	21000 [6.2]	7800 [2.3]	15.50	13.00	900 [424.8]	8638273
RA1430WJ1	RHWB-06WMX48B	RCF3617STA	29000 [8.5]	21500 [6.3]	7500 [2.2]	15.10	12.50	975 [460.1]	8638194
		RCF3621MTA	30000 [8.8]	22000 [6.4]	8000 [2.3]	16.00	13.00	1000 [471.9]	8638241
		RCF3621STA	29200 [8.6]	21800 [6.4]	7400 [2.2]	15.10	12.50	1000 [471.9]	8638274
RA1436WJ1	RHWB-04WMX36B	RCF3617STA	35800 [10.5]	25200 [7.4]	10600 [3.1]	15.10	12.50	1025 [483.7]	8638503
		RCF3621MTA	36000 [10.6]	25600 [7.5]	10400 [3.0]	15.50	13.00	1075 [507.3]	8638552
		RCF3621STA	36000 [10.6]	25500 [7.5]	10500 [3.1]	15.10	12.50	1050 [495.5]	8638586
RA1436WJ1	RHWB-06WMX48B	RCF3617STA	35600 [10.4]	24800 [7.3]	10800 [3.2]	15.10	12.50	975 [460.1]	8638504
		RCF3621MTA	36000 [10.6]	24800 [7.3]	11200 [3.3]	15.50	13.00	1000 [471.9]	8638553
		RCF3621STA	35600 [10.4]	24800 [7.3]	10800 [3.2]	15.10	12.50	975 [460.1]	8638587
RA1442WJ1	RHWB-04WMX36B	RCF4821MTA	40500 [11.9]	26700 [7.8]	13800 [4.0]	15.50	13.00	1100 [519.1]	8638806
		RCF4821STA	39500 [11.6]	27400 [8.0]	12100 [3.5]	15.10	12.50	1075 [507.3]	8638842
RA1442WJ1	RHWB-06WMX48B	RCF4821MTA	41500 [12.2]	28600 [8.4]	12900 [3.8]	15.10	12.50	1275 [601.7]	8638807
		RCF4821STA	40500 [11.9]	29400 [8.6]	11100 [3.3]	14.50	12.20	1250 [589.9]	8638843
RA1442WJ1	RHWB-08WRX60B	RCF4824STA	41000 [12.0]	30400 [8.9]	10600 [3.1]	15.10	12.50	1350 [637.1]	8638900
RA1442WJ1	RHWB-10WRX60B	RCF4824STA	41500 [12.2]	31800 [9.3]	9700 [2.8]	15.10	12.50	1500 [707.9]	8638901

[] Designates Metric Conversions

Performance Data @ AHRI Standard Conditions – Cooling (con't.)

Ratings									
Outdoor Unit	Furnace	Indoor Coil	Total Capacity BTU/H [kW]	Net Sensible BTU/H [kW]	Net Latent BTU/H [kW]	SEER	EER	Indoor CFM [L/s]	AHRI#
RA1418WJ1	RW1T04A2414N	RCF2414STA	18000 [5.3]	13700 [4.0]	4300 [1.3]	16.00	13.00	625 [295.0]	8637994
		RCF2417HTA	18000 [5.3]	13700 [4.0]	4300 [1.3]	16.00	13.00	650 [306.8]	8638008
		RCF2417MTA	18000 [5.3]	13700 [4.0]	4300 [1.3]	16.00	13.00	650 [306.8]	8638023
		RCF2417STA	18000 [5.3]	13700 [4.0]	4300 [1.3]	16.00	13.00	650 [306.8]	8638038
RA1418WJ1	RW1T06A3617N	RCF2417HTA	18000 [5.3]	13700 [4.0]	4300 [1.3]	16.00	13.00	525 [247.8]	8638009
		RCF2417MTA	18000 [5.3]	13700 [4.0]	4300 [1.3]	16.00	13.00	525 [247.8]	8638024
		RCF2417STA	18000 [5.3]	13700 [4.0]	4300 [1.3]	16.00	13.00	525 [247.8]	8638039
		RCF2421HTA	18000 [5.3]	13700 [4.0]	4300 [1.3]	16.00	13.00	525 [247.8]	8638055
		RCF2421MTA	18000 [5.3]	13700 [4.0]	4300 [1.3]	16.00	13.00	525 [247.8]	8638071
		RCF2414STA	24000 [7.0]	18200 [5.3]	5800 [1.7]	15.50	13.00	775 [365.8]	8638074
RA1424WJ1	RW1T04A2414N	RCF2417HTA	23800 [7.0]	17200 [5.0]	6600 [1.9]	16.00	13.00	650 [306.8]	8638092
		RCF2417MTA	23800 [7.0]	17200 [5.0]	6600 [1.9]	16.00	13.00	650 [306.8]	8638111
		RCF2417STA	23600 [6.9]	17500 [5.1]	6100 [1.8]	16.00	13.00	650 [306.8]	8638130
		RCF2414STA	24000 [7.0]	18200 [5.3]	5800 [1.7]	15.50	13.00	850 [401.2]	8638093
RA1424WJ1	RW1T06A3617N	RCF2417MTA	24000 [7.0]	18200 [5.3]	5800 [1.7]	15.50	13.00	850 [401.2]	8638112
		RCF2417STA	24000 [7.0]	18200 [5.3]	5800 [1.7]	15.50	13.00	850 [401.2]	8638131
		RCF2421HTA	24000 [7.0]	18200 [5.3]	5800 [1.7]	15.50	13.00	850 [401.2]	8638154
		RCF2421MTA	24000 [7.0]	18200 [5.3]	5800 [1.7]	15.50	13.00	850 [401.2]	8638178
		RCF2421HTA	23800 [7.0]	17300 [5.1]	6500 [1.9]	15.10	12.50	700 [330.4]	8638155
RA1424WJ1	RW1T08A4821N	RCF2421MTA	23800 [7.0]	17300 [5.1]	6500 [1.9]	15.10	12.50	700 [330.4]	8638179
		RCF3617STA	28600 [8.4]	20800 [6.1]	7800 [2.3]	15.10	12.50	875 [413.0]	8638199
RA1430WJ1	RW1T04A2414N	RCF3617STA	28600 [8.4]	20800 [6.1]	7800 [2.3]	15.10	12.50	900 [424.8]	8638200
		RCF3621HTA	30000 [8.8]	22000 [6.4]	8000 [2.3]	16.00	13.00	950 [448.4]	8638217
		RCF3621MTA	30000 [8.8]	22000 [6.4]	8000 [2.3]	16.00	13.00	925 [436.6]	8638249
		RCF3621STA	28600 [8.4]	20800 [6.1]	7800 [2.3]	15.10	12.50	900 [424.8]	8638282
		RCF3621MTA	30000 [8.8]	22000 [6.4]	8000 [2.3]	16.00	13.00	1075 [507.3]	8638250
RA1430WJ1	RW1T08A4821N1	RCF3621STA	29200 [8.6]	22000 [6.4]	7200 [2.1]	15.10	12.50	1050 [495.5]	8638283
		RCF3624MTA	30000 [8.8]	22000 [6.4]	8000 [2.3]	16.00	13.00	1075 [507.3]	8638327
		RCF3624HTA	30000 [8.8]	22000 [6.4]	8000 [2.3]	16.00	13.00	1075 [507.3]	8638304
RA1430WJ1	RW1T10A6024N	RCF3624MTA	29600 [8.7]	20000 [5.9]	9600 [2.8]	16.00	13.00	800 [377.6]	8638328
		RCF3617STA	36000 [10.6]	25600 [7.5]	10400 [3.0]	15.10	12.50	1250 [589.9]	8638509
RA1436WJ1	RW1T06A3617N	RCF3621HTA	36000 [10.6]	25600 [7.5]	10400 [3.0]	16.00	13.00	1250 [589.9]	8638527
		RCF3621MTA	36000 [10.6]	25600 [7.5]	10400 [3.0]	15.50	13.00	1275 [601.7]	8638561
		RCF3621STA	36000 [10.6]	25600 [7.5]	10400 [3.0]	15.10	12.50	1250 [589.9]	8638595
		RCF3621HTA	36000 [10.6]	25600 [7.5]	10400 [3.0]	16.00	13.00	1250 [589.9]	8638528
RA1436WJ1	RW1T08A4821N	RCF3621MTA	36000 [10.6]	25600 [7.5]	10400 [3.0]	15.50	13.00	1075 [507.3]	8638562
		RCF3621STA	35800 [10.5]	25300 [7.4]	10500 [3.1]	15.10	12.50	1050 [495.5]	8638596
		RCF3624HTA	36000 [10.6]	25600 [7.5]	10400 [3.0]	16.00	13.00	1250 [589.9]	8638620
		RCF3624MTA	36000 [10.6]	25600 [7.5]	10400 [3.0]	15.50	13.00	1075 [507.3]	8638647
		RCF3624HTA	36000 [10.6]	25600 [7.5]	10400 [3.0]	16.00	13.00	1075 [507.3]	8638621
RA1436WJ1	RW1T10A6024N	RCF3624MTA	36000 [10.6]	24900 [7.3]	11100 [3.3]	15.50	13.00	1025 [483.7]	8638648
		RCF4821MTA	41500 [12.2]	28800 [8.4]	12700 [3.7]	15.50	13.00	1300 [613.5]	8638815
RA1442WJ1	RW1T06A3617N	RCF4821STA	40500 [11.9]	29500 [8.6]	11000 [3.2]	15.10	12.50	1275 [601.7]	8638851
		RCF4821MTA	41000 [12.0]	28000 [8.2]	13000 [3.8]	15.50	13.00	1250 [589.9]	8638816
RA1442WJ1	RW1T08A4821N	RCF4821STA	39500 [11.6]	27400 [8.0]	12100 [3.5]	15.10	12.50	1075 [507.3]	8638852
		RCF4824HTA	41500 [12.2]	28400 [8.3]	13100 [3.8]	15.50	13.00	1250 [589.9]	8638879
		RCF4824STA	39500 [11.6]	27400 [8.0]	12100 [3.5]	15.10	12.50	1075 [507.3]	8638909
		RCF4821MTA	41000 [12.0]	28000 [8.2]	13000 [3.8]	15.50	13.00	1250 [589.9]	8638816

[] Designates Metric Conversions

Performance Data @ AHRI Standard Conditions – Cooling (con't.)

ROCA Oil Furnace Ratings									
Outdoor Unit	Furnace	Indoor Coil	Total Capacity BTU/H [kW]	Net Sensible BTU/H [kW]	Net Latent BTU/H [kW]	SEER	EER	Indoor CFM [L/s]	AHRI#
RA1418WJ1	ROCA-070E03	RCF2417HTA	18000 [5.3]	13700 [4.0]	4300 [1.3]	16.00	13.00	600 [283.2]	8638005
		RCF2417MTA	18000 [5.3]	13700 [4.0]	4300 [1.3]	16.00	13.00	600 [283.2]	8638020
		RCF2417STA	18000 [5.3]	13700 [4.0]	4300 [1.3]	16.00	13.00	600 [283.2]	8638035
		RCF2421HTA	18000 [5.3]	13700 [4.0]	4300 [1.3]	16.00	13.00	600 [283.2]	8638051
		RCF2421MTA	18000 [5.3]	13700 [4.0]	4300 [1.3]	16.00	13.00	600 [283.2]	8638067
RA1418WJ1	ROCA-070E04	RCF2417HTA	18000 [5.3]	13700 [4.0]	4300 [1.3]	16.00	13.00	600 [283.2]	8638006
		RCF2417MTA	18000 [5.3]	13700 [4.0]	4300 [1.3]	16.00	13.00	600 [283.2]	8638021
		RCF2417STA	18000 [5.3]	13700 [4.0]	4300 [1.3]	16.00	13.00	600 [283.2]	8638036
		RCF2421HTA	18000 [5.3]	13700 [4.0]	4300 [1.3]	16.00	13.00	600 [283.2]	8638052
		RCF2421MTA	18000 [5.3]	13700 [4.0]	4300 [1.3]	16.00	13.00	600 [283.2]	8638068
RA1424WJ1	ROCA-070E03	RCF2417HTA	24000 [7.0]	18200 [5.3]	5800 [1.7]	16.00	13.00	800 [377.6]	8638088
		RCF2417MTA	24000 [7.0]	18200 [5.3]	5800 [1.7]	16.00	13.00	800 [377.6]	8638107
		RCF2417STA	24000 [7.0]	18200 [5.3]	5800 [1.7]	16.00	13.00	800 [377.6]	8638126
		RCF2421HTA	24000 [7.0]	18200 [5.3]	5800 [1.7]	16.00	13.00	800 [377.6]	8638149
		RCF2421MTA	24000 [7.0]	18200 [5.3]	5800 [1.7]	16.00	13.00	800 [377.6]	8638173
RA1424WJ1	ROCA-070E04	RCF2417HTA	24000 [7.0]	18200 [5.3]	5800 [1.7]	16.00	13.00	800 [377.6]	8638089
		RCF2417MTA	24000 [7.0]	18200 [5.3]	5800 [1.7]	16.00	13.00	800 [377.6]	8638108
		RCF2417STA	24000 [7.0]	18200 [5.3]	5800 [1.7]	16.00	13.00	800 [377.6]	8638127
		RCF2421HTA	24000 [7.0]	18200 [5.3]	5800 [1.7]	16.00	13.00	800 [377.6]	8638150
		RCF2421MTA	24000 [7.0]	18200 [5.3]	5800 [1.7]	16.00	13.00	800 [377.6]	8638174
RA1430WJ1	ROCA-070E03	RCF3617STA	28400 [8.3]	20300 [5.9]	8100 [2.4]	15.50	13.00	800 [377.6]	8638195
		RCF3621MTA	30000 [8.8]	22000 [6.4]	8000 [2.3]	16.00	13.00	1000 [471.9]	8638242
		RCF3621STA	28400 [8.3]	20300 [5.9]	8100 [2.4]	15.50	13.00	800 [377.6]	8638275
		RCF3624HTA	30000 [8.8]	22000 [6.4]	8000 [2.3]	16.00	13.00	1000 [471.9]	8638298
		RCF3624MTA	30000 [8.8]	22000 [6.4]	8000 [2.3]	16.00	13.00	1000 [471.9]	8638320
RA1430WJ1	ROCA-070E04	RCF3617STA	28400 [8.3]	20300 [5.9]	8100 [2.4]	15.50	13.00	800 [377.6]	8638196
		RCF3621MTA	30000 [8.8]	22000 [6.4]	8000 [2.3]	16.00	13.00	1000 [471.9]	8638243
		RCF3621STA	28400 [8.3]	20300 [5.9]	8100 [2.4]	15.50	13.00	800 [377.6]	8638276
		RCF3624HTA	30000 [8.8]	22000 [6.4]	8000 [2.3]	16.00	13.00	1000 [471.9]	8638299
		RCF3624MTA	30000 [8.8]	22000 [6.4]	8000 [2.3]	16.00	13.00	1000 [471.9]	8638321
RA1430WJ1	ROCA-115E05	RCF3621MTA	30000 [8.8]	22000 [6.4]	8000 [2.3]	16.00	13.00	1050 [495.5]	8638244
		RCF3621STA	29400 [8.6]	22200 [6.5]	7200 [2.1]	15.50	13.00	1050 [495.5]	8638277
		RCF3624MTA	30000 [8.8]	22000 [6.4]	8000 [2.3]	16.00	13.00	1050 [495.5]	8638322
RA1436WJ1	ROCA-070E03	RCF3617STA	35600 [10.4]	24900 [7.3]	10700 [3.1]	15.10	12.50	1000 [471.9]	8638505
		RCF3621MTA	36000 [10.6]	24800 [7.3]	11200 [3.3]	15.50	13.00	1000 [471.9]	8638554
		RCF3621STA	35800 [10.5]	25100 [7.4]	10700 [3.1]	15.10	12.50	1000 [471.9]	8638588
		RCF3624HTA	36000 [10.6]	25600 [7.5]	10400 [3.0]	16.00	13.00	1200 [566.3]	8638614
		RCF3624MTA	36000 [10.6]	24800 [7.3]	11200 [3.3]	15.50	13.00	1000 [471.9]	8638640
RA1436WJ1	ROCA-070E04	RCF3617STA	35600 [10.4]	24900 [7.3]	10700 [3.1]	15.10	12.50	1000 [471.9]	8638506
		RCF3621MTA	36000 [10.6]	24800 [7.3]	11200 [3.3]	15.50	13.00	1000 [471.9]	8638555
		RCF3621STA	35800 [10.5]	25100 [7.4]	10700 [3.1]	15.10	12.50	1000 [471.9]	8638589
		RCF3624HTA	36000 [10.6]	25600 [7.5]	10400 [3.0]	16.00	13.00	1200 [566.3]	8638615
		RCF3624MTA	36000 [10.6]	24800 [7.3]	11200 [3.3]	15.50	13.00	1000 [471.9]	8638641
RA1436WJ1	ROCA-115E05	RCF3621MTA	36000 [10.6]	25600 [7.5]	10400 [3.0]	15.50	13.00	1200 [566.3]	8638556
		RCF3621STA	36000 [10.6]	25600 [7.5]	10400 [3.0]	15.50	13.00	1200 [566.3]	8638590
		RCF3624MTA	36000 [10.6]	25600 [7.5]	10400 [3.0]	15.50	13.00	1200 [566.3]	8638642

[] Designates Metric Conversions

Performance Data @ AHRI Standard Conditions – Cooling (con't.)

ROCA Oil Furnace Ratings									
Outdoor Unit	Furnace	Indoor Coil	Total Capacity BTU/H [kW]	Net Sensible BTU/H [kW]	Net Latent BTU/H [kW]	SEER	EER	Indoor CFM [L/s]	AHRI#
RA1442WJ1	ROCA-070E03	RCF4821MTA	41000 [12.0]	27700 [8.1]	13300 [3.9]	15.10	12.50	1200 [566.3]	8638808
		RCF4821STA	40000 [11.7]	28600 [8.4]	11400 [3.3]	14.50	12.20	1200 [566.3]	8638844
		RCF4824HTA	41500 [12.2]	28100 [8.2]	13400 [3.9]	15.50	13.00	1200 [566.3]	8638873
		RCF4824STA	40000 [11.7]	28600 [8.4]	11400 [3.3]	14.50	12.20	1200 [566.3]	8638902
RA1442WJ1	ROCA-070E04	RCF4821MTA	41000 [12.0]	27700 [8.1]	13300 [3.9]	15.10	12.50	1200 [566.3]	8638809
		RCF4821STA	40000 [11.7]	28600 [8.4]	11400 [3.3]	14.50	12.20	1200 [566.3]	8638845
		RCF4824HTA	41500 [12.2]	28100 [8.2]	13400 [3.9]	15.50	13.00	1200 [566.3]	8638874
		RCF4824STA	40000 [11.7]	28600 [8.4]	11400 [3.3]	14.50	12.20	1200 [566.3]	8638903
RA1442WJ1	ROCA-115E05	RCF4821MTA	41000 [12.0]	27700 [8.1]	13300 [3.9]	15.50	13.00	1200 [566.3]	8638810
		RCF4821STA	40500 [11.9]	29100 [8.5]	11400 [3.3]	15.10	12.50	1200 [566.3]	8638846
		RCF4824STA	40500 [11.9]	29100 [8.5]	11400 [3.3]	15.10	12.50	1200 [566.3]	8638904

ROCB Oil Furnace Ratings									
Outdoor Unit	Furnace	Indoor Coil	Total Capacity BTU/H [kW]	Net Sensible BTU/H [kW]	Net Latent BTU/H [kW]	SEER	EER	Indoor CFM [L/s]	AHRI#
RA1418WJ1	ROCB-072E04	RCF2421HTA	18000 [5.3]	13700 [4.0]	4300 [1.3]	15.50	13.00	600 [283.2]	8638053
		RCF2421MTA	18000 [5.3]	13700 [4.0]	4300 [1.3]	15.50	13.00	600 [283.2]	8638069
RA1424WJ1	ROCB-072E04	RCF2421HTA	24000 [7.0]	18200 [5.3]	5800 [1.7]	15.50	13.00	800 [377.6]	8638151
		RCF2421MTA	24000 [7.0]	18200 [5.3]	5800 [1.7]	15.50	13.00	800 [377.6]	8638175
RA1430WJ1	ROCB-072E04	RCF3621MTA	30000 [8.8]	20700 [6.1]	9300 [2.7]	16.00	13.00	900 [424.8]	8638245
		RCF3621STA	28600 [8.4]	20800 [6.1]	7800 [2.3]	15.10	12.50	900 [424.8]	8638278
		RCF3624HTA	30000 [8.8]	22000 [6.4]	8000 [2.3]	16.00	13.00	1000 [471.9]	8638300
		RCF3624MTA	30000 [8.8]	20700 [6.1]	9300 [2.7]	16.00	13.00	900 [424.8]	8638323
RA1436WJ1	ROCB-072E04	RCF3621MTA	35800 [10.5]	24600 [7.2]	11200 [3.3]	15.10	12.50	1000 [471.9]	8638557
		RCF3621STA	35600 [10.4]	24900 [7.3]	10700 [3.1]	15.10	12.50	1000 [471.9]	8638591
		RCF3624HTA	36000 [10.6]	25600 [7.5]	10400 [3.0]	16.00	13.00	1200 [566.3]	8638616
		RCF3624MTA	35800 [10.5]	24600 [7.2]	11200 [3.3]	15.10	12.50	1000 [471.9]	8638643
RA1442WJ1	ROCB-072E04	RCF4821MTA	41000 [12.0]	27700 [8.1]	13300 [3.9]	15.10	12.50	1200 [566.3]	8638811
		RCF4821STA	40000 [11.7]	28600 [8.4]	11400 [3.3]	14.50	12.20	1200 [566.3]	8638847
		RCF4824HTA	41500 [12.2]	28100 [8.2]	13400 [3.9]	15.10	12.50	1200 [566.3]	8638875
		RCF4824STA	40000 [11.7]	28600 [8.4]	11400 [3.3]	14.50	12.20	1200 [566.3]	8638905

[] Designates Metric Conversions

Performance Data @ AHRI Standard Conditions – Cooling (con't.)

ROLA Oil Furnace Ratings									
Outdoor Unit	Furnace	Indoor Coil	Total Capacity BTU/H [kW]	Net Sensible BTU/H [kW]	Net Latent BTU/H [kW]	SEER	EER	Indoor CFM [L/s]	AHRI#
RA1418WJ1	ROLA-070E03	RCF2417HTA	18000 [5.3]	13700 [4.0]	4300 [1.3]	16.00	13.00	600 [283.2]	8638007
		RCF2417MTA	18000 [5.3]	13700 [4.0]	4300 [1.3]	16.00	13.00	600 [283.2]	8638022
		RCF2417STA	18000 [5.3]	13700 [4.0]	4300 [1.3]	16.00	13.00	600 [283.2]	8638037
		RCF2421HTA	18000 [5.3]	13700 [4.0]	4300 [1.3]	16.00	13.00	600 [283.2]	8638054
		RCF2421MTA	18000 [5.3]	13700 [4.0]	4300 [1.3]	16.00	13.00	600 [283.2]	8638070
RA1424WJ1	ROLA-070E03	RCF2417HTA	24000 [7.0]	18200 [5.3]	5800 [1.7]	16.00	13.00	800 [377.6]	8638090
		RCF2417MTA	24000 [7.0]	18200 [5.3]	5800 [1.7]	16.00	13.00	800 [377.6]	8638109
		RCF2417STA	24000 [7.0]	18200 [5.3]	5800 [1.7]	16.00	13.00	800 [377.6]	8638128
		RCF2421HTA	24000 [7.0]	18200 [5.3]	5800 [1.7]	16.00	13.00	800 [377.6]	8638152
		RCF2421MTA	24000 [7.0]	18200 [5.3]	5800 [1.7]	16.00	13.00	800 [377.6]	8638176
RA1424WJ1	ROLA-070E04	RCF2417HTA	24000 [7.0]	18200 [5.3]	5800 [1.7]	16.00	13.00	725 [342.2]	8638091
		RCF2417MTA	24000 [7.0]	18200 [5.3]	5800 [1.7]	16.00	13.00	725 [342.2]	8638110
		RCF2417STA	24000 [7.0]	18100 [5.3]	5900 [1.7]	16.00	13.00	725 [342.2]	8638129
		RCF2421HTA	24000 [7.0]	18200 [5.3]	5800 [1.7]	16.00	13.00	725 [342.2]	8638153
		RCF2421MTA	24000 [7.0]	18200 [5.3]	5800 [1.7]	16.00	13.00	725 [342.2]	8638177
RA1430WJ1	ROLA-070E03	RCF3617STA	28800 [8.4]	21000 [6.2]	7800 [2.3]	15.50	13.00	900 [424.8]	8638197
		RCF3621MTA	30000 [8.8]	22000 [6.4]	8000 [2.3]	16.00	13.00	975 [460.1]	8638246
		RCF3621STA	29200 [8.6]	21700 [6.4]	7500 [2.2]	15.50	13.00	975 [460.1]	8638279
		RCF3624HTA	30000 [8.8]	22000 [6.4]	8000 [2.3]	16.00	13.00	975 [460.1]	8638301
		RCF3624MTA	30000 [8.8]	22000 [6.4]	8000 [2.3]	16.00	13.00	975 [460.1]	8638324
RA1430WJ1	ROLA-070E04	RCF3617STA	28800 [8.4]	21000 [6.2]	7800 [2.3]	15.50	13.00	900 [424.8]	8638198
		RCF3621MTA	30000 [8.8]	22000 [6.4]	8000 [2.3]	16.00	13.00	1025 [483.7]	8638247
		RCF3621STA	29200 [8.6]	21700 [6.4]	7500 [2.2]	15.50	13.00	975 [460.1]	8638280
		RCF3624HTA	30000 [8.8]	22000 [6.4]	8000 [2.3]	16.00	13.00	1025 [483.7]	8638302
		RCF3624MTA	30000 [8.8]	22000 [6.4]	8000 [2.3]	16.00	13.00	1025 [483.7]	8638325
RA1430WJ1	ROLA-115E05	RCF3621MTA	30000 [8.8]	22000 [6.4]	8000 [2.3]	16.00	13.00	1050 [495.5]	8638248
		RCF3621STA	28800 [8.4]	21000 [6.2]	7800 [2.3]	15.50	13.00	900 [424.8]	8638281
		RCF3624HTA	30000 [8.8]	22000 [6.4]	8000 [2.3]	16.00	13.00	1050 [495.5]	8638303
		RCF3624MTA	30000 [8.8]	22000 [6.4]	8000 [2.3]	16.00	13.00	1050 [495.5]	8638326
		RCF3617STA	36000 [10.6]	25600 [7.5]	10400 [3.0]	15.10	12.50	1175 [554.5]	8638507
RA1436WJ1	ROLA-070E03	RCF3621MTA	36000 [10.6]	25600 [7.5]	10400 [3.0]	15.50	13.00	1175 [554.5]	8638558
		RCF3621STA	35600 [10.4]	24800 [7.3]	10800 [3.2]	15.50	13.00	975 [460.1]	8638592
		RCF3624HTA	36000 [10.6]	25600 [7.5]	10400 [3.0]	16.00	13.00	1175 [554.5]	8638617
		RCF3624MTA	36000 [10.6]	25600 [7.5]	10400 [3.0]	15.50	13.00	1175 [554.5]	8638644
		RCF3617STA	36000 [10.6]	25600 [7.5]	10400 [3.0]	15.10	12.50	1175 [554.5]	8638508
RA1436WJ1	ROLA-070E04	RCF3621MTA	36000 [10.6]	25600 [7.5]	10400 [3.0]	15.50	13.00	1175 [554.5]	8638559
		RCF3621STA	35800 [10.5]	25200 [7.4]	10600 [3.1]	15.50	13.00	1025 [483.7]	8638593
		RCF3624HTA	36000 [10.6]	25600 [7.5]	10400 [3.0]	16.00	13.00	1175 [554.5]	8638618
		RCF3624MTA	36000 [10.6]	25600 [7.5]	10400 [3.0]	15.50	13.00	1175 [554.5]	8638645
		RCF3621MTA	36000 [10.6]	25600 [7.5]	10400 [3.0]	15.50	13.00	1200 [566.3]	8638560
RA1436WJ1	ROLA-115E05	RCF3621STA	36000 [10.6]	25600 [7.5]	10400 [3.0]	15.10	12.50	1200 [566.3]	8638594
		RCF3624HTA	36000 [10.6]	25600 [7.5]	10400 [3.0]	16.00	13.00	1200 [566.3]	8638619
		RCF3624MTA	36000 [10.6]	25600 [7.5]	10400 [3.0]	15.50	13.00	1200 [566.3]	8638646
		RCF4821MTA	41000 [12.0]	27600 [8.1]	13400 [3.9]	15.50	13.00	1175 [554.5]	8638812
RA1442WJ1	ROLA-070E03	RCF4821STA	40000 [11.7]	28500 [8.4]	11500 [3.4]	15.10	12.50	1175 [554.5]	8638848
		RCF4824HTA	41500 [12.2]	28000 [8.2]	13500 [4.0]	16.00	13.00	1175 [554.5]	8638876
		RCF4824STA	40000 [11.7]	28500 [8.4]	11500 [3.4]	15.10	12.50	1175 [554.5]	8638906

[] Designates Metric Conversions

Performance Data @ AHRI Standard Conditions – Cooling (con't.)

ROLA Oil Furnace Ratings									
Outdoor Unit	Furnace	Indoor Coil	Total Capacity BTU/H [kW]	Net Sensible BTU/H [kW]	Net Latent BTU/H [kW]	SEER	EER	Indoor CFM [L/s]	AHRI#
RA1442WJ1	ROLA-070E04	RCF4821MTA	41000 [12.0]	27600 [8.1]	13400 [3.9]	15.50	13.00	1175 [554.5]	8638813
		RCF4821STA	40000 [11.7]	28500 [8.4]	11500 [3.4]	15.10	12.50	1175 [554.5]	8638849
		RCF4824HTA	41500 [12.2]	28000 [8.2]	13500 [4.0]	16.00	13.00	1175 [554.5]	8638877
		RCF4824STA	40000 [11.7]	28500 [8.4]	11500 [3.4]	15.10	12.50	1175 [554.5]	8638907
RA1442WJ1	ROLA-115E05	RCF4821MTA	41000 [12.0]	27700 [8.1]	13300 [3.9]	15.50	13.00	1200 [566.3]	8638814
		RCF4821STA	40500 [11.9]	29100 [8.5]	11400 [3.3]	15.10	12.50	1200 [566.3]	8638850
		RCF4824HTA	41500 [12.2]	28100 [8.2]	13400 [3.9]	16.00	13.00	1200 [566.3]	8638878
		RCF4824STA	40500 [11.9]	29100 [8.5]	11400 [3.3]	15.10	12.50	1200 [566.3]	8638908

[] Designates Metric Conversions

Performance Data @ AHRI Standard Conditions – Cooling (con't.)

Air Handler Ratings								
Outdoor Unit	Air Handler	Total Capacity BTU/H [kW]	Net Sensible BTU/H [kW]	Net Latent BTU/H [kW]	SEER	EER	Indoor CFM [L/s]	AHRI#
RA1418WJ1	RF1P1821SPAN	18000 [5.3]	13200 [3.9]	4800 [1.4]	14.00	12.20	550 [259.6]	8636333
	RF1P1821STAN	18000 [5.3]	13200 [3.9]	4800 [1.4]	14.50	12.20	550 [259.6]	8636334
	RF1T2421MTAN	18000 [5.3]	13700 [4.0]	4300 [1.3]	16.00	13.00	625 [295.0]	8636335
	RBHP-17	18000 [5.3]	13700 [4.0]	4300 [1.3]	16.00	13.00	600 [283.2]	8636238
	RH1P1817STAN	18000 [5.3]	13700 [4.0]	4300 [1.3]	15.00	12.50	600 [283.2]	8636336
	RH1T2417STAN	18000 [5.3]	13700 [4.0]	4300 [1.3]	16.00	13.00	600 [283.2]	8636337
	RH1V2417STAN	18000 [5.3]	13700 [4.0]	4300 [1.3]	16.00	13.00	650 [306.8]	8636338
RA1424WJ1	RF1P2421SPAN	24000 [7.0]	18200 [5.3]	5800 [1.7]	14.00	12.20	800 [377.6]	8636466
	RF1P2421STAN	24000 [7.0]	18200 [5.3]	5800 [1.7]	14.50	12.20	800 [377.6]	8636467
	RF1T2421MTAN	24000 [7.0]	18200 [5.3]	5800 [1.7]	15.50	13.00	800 [377.6]	8636468
	RBHP-17	23600 [6.9]	16500 [4.8]	7100 [2.1]	15.00	12.50	800 [377.6]	8636344
	RH1P2417STAN	24000 [7.0]	18300 [5.4]	5700 [1.7]	14.50	12.20	800 [377.6]	8636469
	RH1T2417STAN	24000 [7.0]	18200 [5.3]	5800 [1.7]	16.00	13.00	800 [377.6]	8636470
	RH2T2421MTAN	24000 [7.0]	17500 [5.1]	6500 [1.9]	16.00	13.00	700 [330.4]	8636472
	RH1V2417STAN	24000 [7.0]	18200 [5.3]	5800 [1.7]	16.00	13.00	850 [401.2]	8636471
RA1430WJ1	RH2V2421HTAC	24000 [7.0]	18200 [5.3]	5800 [1.7]	16.00	13.00	800 [377.6]	8636473
	RF1P3024SPAN	29200 [8.6]	20500 [6.0]	8700 [2.5]	14.00	12.20	900 [424.8]	8636656
	RF1P3024STAN	29200 [8.6]	20500 [6.0]	8700 [2.5]	14.50	12.20	900 [424.8]	8636657
	RF1T3624MTAN	30000 [8.8]	22000 [6.4]	8000 [2.3]	16.00	13.00	1025 [483.7]	8636658
	RBHP-21	29400 [8.6]	19400 [5.7]	10000 [2.9]	16.00	13.00	1000 [471.9]	8636482
	RH1P3017STAN	28600 [8.4]	21100 [6.2]	7500 [2.2]	14.00	12.20	975 [460.1]	8636659
	RH1T3617STAN	29200 [8.6]	21800 [6.4]	7400 [2.2]	15.50	13.00	1000 [471.9]	8636660
	RH1T3621HTAN	30000 [8.8]	22000 [6.4]	8000 [2.3]	16.00	13.00	1000 [471.9]	8636661
	RH1T3621MTAN	30000 [8.8]	22000 [6.4]	8000 [2.3]	16.00	13.00	975 [460.1]	8636662
	RH1V3617STAN	29400 [8.6]	22100 [6.5]	7300 [2.1]	15.50	13.00	1025 [483.7]	8636663
RA1436WJ1	RH1V3621HTAN	30000 [8.8]	22000 [6.4]	8000 [2.3]	16.00	13.00	1000 [471.9]	8636664
	RH1V3621MTAN	30000 [8.8]	22000 [6.4]	8000 [2.3]	16.00	13.00	1000 [471.9]	8636665
	RF1P3624SPAN	36000 [10.6]	25600 [7.5]	10400 [3.0]	14.50	12.20	1100 [519.1]	8637183
	RF1P3624STAN	36000 [10.6]	25600 [7.5]	10400 [3.0]	15.00	12.50	1100 [519.1]	8637185
	RF1T3624MTAN	36000 [10.6]	25600 [7.5]	10400 [3.0]	16.00	13.00	1025 [483.7]	8637186
	RBHP-21	36000 [10.6]	25600 [7.5]	10400 [3.0]	16.00	13.00	1000 [471.9]	8636933
	RH1P3017STAN	35000 [10.3]	24100 [7.1]	10900 [3.2]	14.50	12.20	950 [448.4]	8637187
	RH1P3617STAN	35600 [10.4]	25300 [7.4]	10300 [3.0]	14.00	12.20	1100 [519.1]	8637188
	RH1P3621STAN	35600 [10.4]	25300 [7.4]	10300 [3.0]	14.00	12.20	1100 [519.1]	8637189
	RH1T3617STAN	36000 [10.6]	25600 [7.5]	10400 [3.0]	15.50	13.00	1200 [566.3]	8637190
	RH1T3621HTAN	36000 [10.6]	25600 [7.5]	10400 [3.0]	16.00	13.00	1200 [566.3]	8637191
	RH1T3621MTAN	36000 [10.6]	25600 [7.5]	10400 [3.0]	15.50	13.00	1150 [542.7]	8637192
	RH1V3617STAN	36000 [10.6]	25400 [7.4]	10600 [3.1]	15.50	13.00	1025 [483.7]	8637193
	RH1V3621HTAN	36000 [10.6]	25600 [7.5]	10400 [3.0]	16.00	13.00	1200 [566.3]	8637195
	RH1V3621MTAN	36000 [10.6]	25600 [7.5]	10400 [3.0]	16.00	13.00	1200 [566.3]	8637196
	RH2V3624HTAC	36000 [10.6]	25600 [7.5]	10400 [3.0]	16.00	13.00	1200 [566.3]	8637197
	RA1442WJ1	RBHP-24	40500 [11.9]	26800 [7.9]	13700 [4.0]	15.50	13.00	1400 [660.7]
RH1T4821MTAN		42000 [12.3]	29800 [8.7]	12200 [3.6]	15.50	13.00	1400 [660.7]	8637623
RH1T4821STAN		41500 [12.2]	31200 [9.1]	10300 [3.0]	15.00	12.50	1400 [660.7]	8637624
RH2T4824MTAN		42000 [12.3]	31000 [9.1]	11000 [3.2]	16.00	13.00	1400 [660.7]	8637627
RH1V4821MTAN		42000 [12.3]	29900 [8.8]	12100 [3.5]	15.50	13.00	1425 [672.5]	8637625
RH1V4821STAN		40500 [11.9]	29200 [8.6]	11300 [3.3]	15.50	13.00	1225 [578.1]	8637626

[] Designates Metric Conversions

GUIDE SPECIFICATIONS

General

System Description

Outdoor-mounted, air-cooled, split-system air conditioner composite base pan unit suitable for ground or rooftop installation. Unit consists of a hermetic compressor, an air-cooled coil, propeller-type condenser fan, suction and legend line service valve, and a control box. Unit will discharge supply air upward as shown on contract drawings. Unit will be used in a refrigeration circuit to match up to a coil unit.

Quality Assurance

- Unit will be rated in accordance with the latest edition of AHRI Standard 210.
- Unit will be certified for capacity and efficiency, and listed in the latest AHRI directory.
- Unit construction will comply with latest edition of ANSI/ASHRAE and with NEC.
- Unit will be constructed in accordance with UL standards and will carry the UL label of approval. Unit will have c-UL-us approval.
- Unit cabinet will be capable of withstanding ASTM B117 1000-hr salt spray test.
- Air-cooled condenser coils will be leak tested at 150 psig and pressure tested at 550 psig.
- Unit constructed in ISO9001 approved facility.

Delivery, Storage, and Handling

- Unit will be shipped as single package only and is stored and handled per unit manufacturer's recommendations.

Warranty (for inclusion by specifying engineer) – U.S. and Canada only.

Products

Equipment

Factory assembled, single piece, air-cooled air conditioner unit. Contained within the unit enclosure is all factory wiring, piping, controls, compressor, refrigerant charge R-410A, and special features required prior to field start-up.

Unit Cabinet

- Unit cabinet will be constructed of galvanized steel, bonderized, and coated with a powder coat paint.
- All units constructed with louver coil protection and corner post. Louver can be removed by removing one fastener per louver panel.

AIR-COOLED, SPLIT-SYSTEM AIR CONDITIONER

RA14**W

1-1/2 TO 5 NOMINAL TONS

Fans

- Condenser fan will be direct-drive propeller type, discharging air upward.
- Condenser fan motors will be totally enclosed, 1-phase type with class B insulation and permanently lubricated bearings. Shafts will be corrosion resistant.
- Fan blades will be statically and dynamically balanced.
- Condenser fan openings will be equipped with coated steel wire safety guards.

Compressor

- Compressor will be hermetically sealed.
- Compressor will be mounted on rubber vibration isolators.

Condenser Coil

- Condenser coil will be air cooled.
- Coil will be constructed of aluminum fins mechanically bonded to copper tubes.

Refrigeration Components

- Refrigeration circuit components will include liquid-line shutoff valve with sweat connections, vapor-line shutoff valve with sweat connections, system charge of R-410A refrigerant, and compressor oil.
- Unit will be equipped with filter drier for R-410A refrigerant for field installation.

Operating Characteristics

- The capacity of the unit will meet or exceed _____ Btuh at a suction temperature of _____ °F/°C. The power consumption at full load will not exceed _____ kW.
- Combination of the unit and the evaporator or fan coil unit will have a total net cooling capacity of _____ Btuh or greater at conditions of _____ CFM entering air temperature at the evaporator at _____ °F/°C wet bulb and _____ °F/°C dry bulb, and air entering the unit at _____ °F/°C.
- The system will have a SEER of _____ Btuh/watt or greater at DOE conditions.

Electrical Requirements

- Nominal unit electrical characteristics will be _____ v, single phase, 60 hz. The unit will be capable of satisfactory operation within voltage limits of _____ v to _____ v.
- Nominal unit electrical characteristics will be _____ v, three phase, 60 hz. The unit will be capable of satisfactory operation within voltage limits of _____ v to _____ v.
- Unit electrical power will be single point connection.
- Control circuit will be 24v.

Special Features

- Refer to section of this literature identifying accessories and descriptions for specific features and available enhancements.

GENERAL TERMS OF LIMITED WARRANTY*

Rheem will furnish a replacement for any part of this product which fails in normal use and service within the applicable period stated, in accordance with the terms of the limited warranty.

***For complete details of the Limited and Conditional Warranties, including applicable terms and conditions, contact your local contractor or the Manufacturer for a copy of the product warranty certificate.**

Conditional Parts
(Registration Required)Ten (10) Years



The new degree of comfort.™

In keeping with its policy of continuous progress and product improvement, Rheem reserves the right to make changes without notice.

Rheem Heating, Cooling & Water Heating • P.O. Box 17010
Fort Smith, Arkansas 72917 • www.rheem.com

Rheem Canada Ltd./Ltée • 125 Edgeware Road, Unit 1
Brampton, Ontario • L6Y 0P5



INTEGRATED HOME COMFORT

PRINTED IN U.S.A. 10/15 QG FORM NO. A11-225