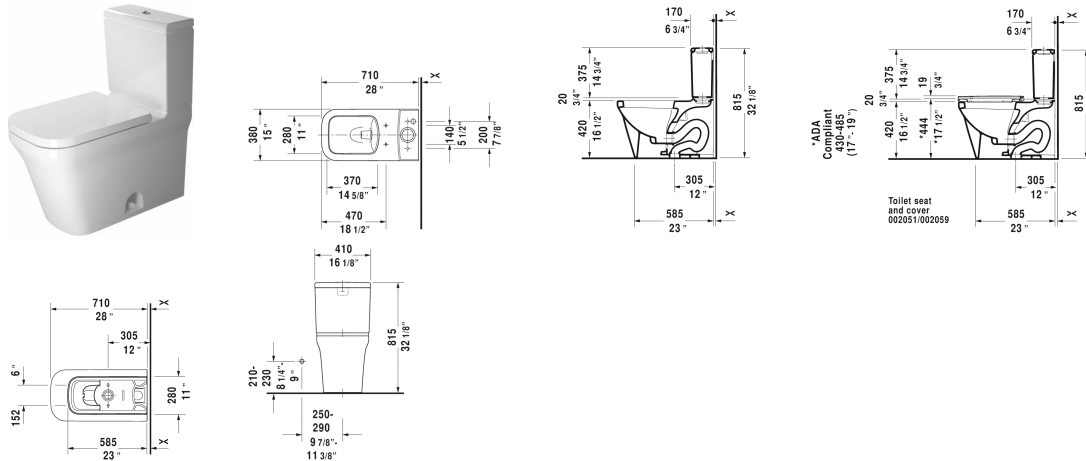


P3 Comforts Two-Piece toilet # 216801..00 / 216801..85

| < 15" Inch > |



Two-Piece toilet	Dimension	Weight	Order number
(without tank), syphonic, 12" rough-in, vertical outlet, cUPC® listed*			
Colors			
00 White 20 HygieneGlaze (an antibacterial ceramic glaze that provides almost indefinite effectiveness)			
Variant			
♣ 1.32/0.92 gpf	15" x 28" Inch	101 lb	216801..00
♣ 1.28 gpf	15" x 28" Inch	101 lb	216801..85
Sanitary ceramics with the special WonderGliss surface finish will remain clean and attractive-looking for a long time to come. When ordering WonderGliss please add a "1" as eleventh digit to the model number.			
Mounting set for One-Piece and Two-Piece toilets, outlet 3/8" - male thread, wall connection 1/2" - female thread, 1/2", North American version	17 3/4" Inch	1.1 lb	001417
Suitable products			
Toilet seat and cover elongated, hinges stainless steel, without slow close,			002051
Toilet seat and cover elongated, hinges stainless steel, removable, with slow close,			002059
Tank for bottom left supply, 16 1/8" x 6 3/4" Inch	16 1/8" x 6 3/4" Inch		093720

All drawings contain the necessary measurements which are subject to standard tolerances. They are stated in inch & mm and are non-

P3 Comforts Two-Piece toilet # 216801..00 / 216801..85

|< 15" Inch >|

binding. Exact measurements, in particular for customized installation scenarios, can only be taken from the finished ceramic piece.