

INDOOR UNIT

**No. OBB732
REVISED EDITION-E**

PARTS CATALOG

Models

- MSZ-GL06NA** - **U1**, **U2**
- MSZ-GL09NA** - **U1**, **U2**
- MSZ-GL12NA** - **U1**, **U2**
- MSZ-GL15NA** - **U1**, **U2**
- MSZ-GL18NA** - **U1**
- MSZ-GL24NA** - **U1**

- MSY-GL09NA** - **U1**, **U2**
- MSY-GL12NA** - **U1**, **U2**
- MSY-GL15NA** - **U1**, **U2**
- MSY-GL18NA** - **U1**
- MSY-GL24NA** - **U1**



**MSZ-GL18NA
MSY-GL18NA**



CONTENTS

1. SERVICE PARTS LIST	2
SERVICE MANUAL (OBH732)	

Revision A:

- MSZ-GL06/09/12/15NA-[U1] and MSY-GL09/12/15NA-[U1] have been added.

Revision B:

- Electronic control P.C. boards for MSZ-GL06/09/12/15NA-[U1], have been changed.

Revision C:

- Indoor heat exchanger for MSZ-GL06/09/12/15/18/24NA-[U1] and MSY-GL09/12/15/18/24NA-[U1] have been changed.

Revision D:

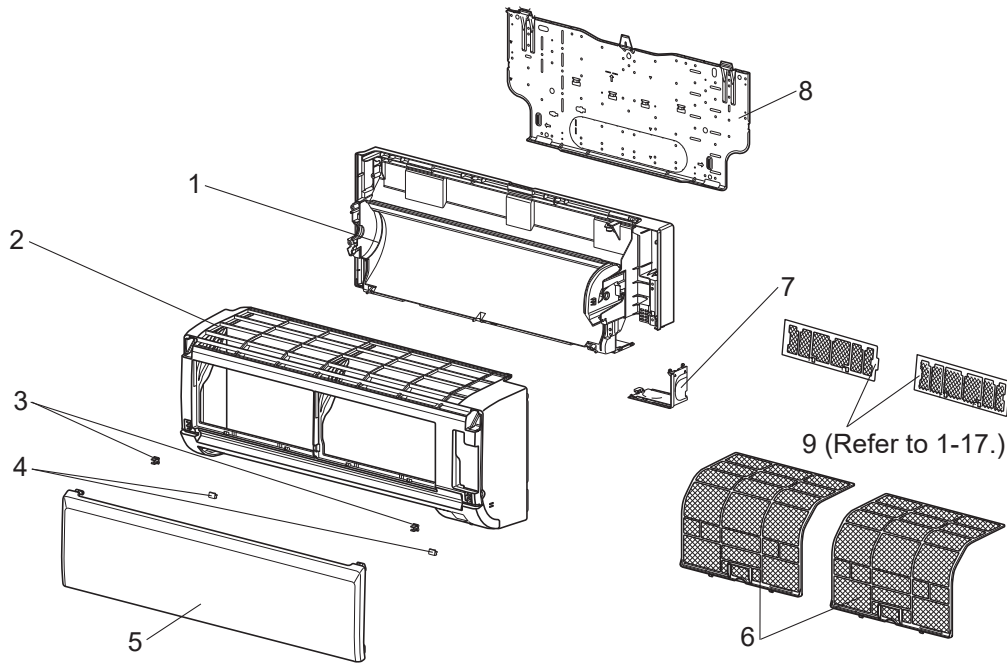
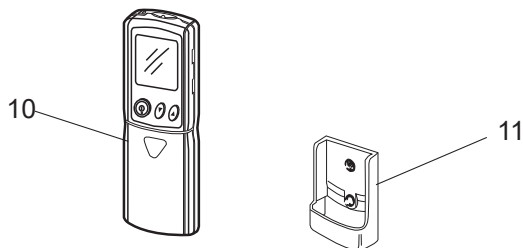
- Some descriptions have been modified.

Revision E:

- MSZ-GL06/09/12/15NA-[U2] and MSY-GL09/12/15NA-[U2] have been added.

1**SERVICE PARTS LIST**

MSZ-GL06NA-[U1] MSZ-GL09NA-[U1] MSZ-GL12NA-[U1] MSZ-GL15NA-[U1]
 MSY-GL09NA-[U1] MSY-GL12NA-[U1] MSY-GL15NA-[U1]

1-1. INDOOR UNIT STRUCTURAL PARTS**1-2. ACCESSORY AND REMOTE CONTROLLER**

1-1. INDOOR UNIT STRUCTURAL PARTS

1. The part quantity below indicates the required number of pieces per unit.

No.	Part No.	Part name	MSZ-GL06NA - U1	MSZ-GL09NA - U1	MSZ-GL12NA - U1	MSZ-GL15NA - U1	MSY-GL09NA - U1	MSY-GL12NA - U1	MSY-GL15NA - U1	Symbol in Wiring Diagram	Remarks
1	U01 A01 234	BOX ASSEMBLY	1	1	1	1	1	1	1		
2	U01 A02 000	PANEL ASSEMBLY	1	1	1	1	1	1	1		Includes No. 3, 4, and 5
3	U01 A01 142	CATCH	2	2	2	2	2	2	2		2 PCS/SET
4	U01 A01 067	SCREW CAP	2	2	2	2	2	2	2		2 PCS/SET
5	U01 A02 010	FRONT PANEL	1	1	1	1	1	1	1		
6	U01 A01 100	AIR FILTER (NANO PLATINUM FILTER)	2	2	2	2	2	2	2		1 PC/SET
7	U01 A01 975	CORNER BOX (RIGHT)	1	1	1	1	1	1	1		
8	U01 A01 970	INSTALLATION PLATE	1	1	1	1	1	1	1		
9	-	AIR CLEANING FILTER (ANTI-ALLERGY ENZYME FILTER)	2	2	2	2	2	2	2		MAC-408FT-E 2 PCS/SET

1-2. ACCESSORY AND REMOTE CONTROLLER

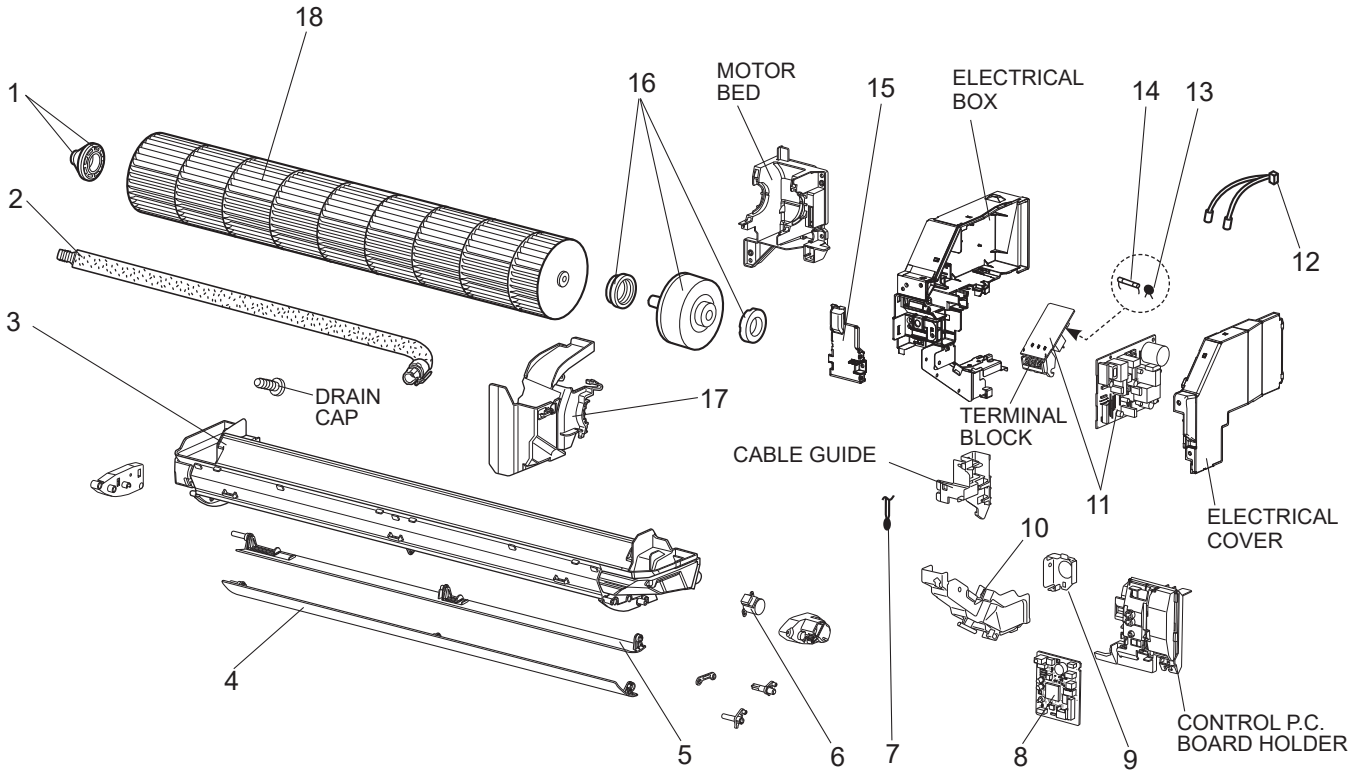
1. The part quantity below indicates the required number of pieces per unit.

No.	Part No.	Part name	MSZ-GL06NA - U1	MSZ-GL09NA - U1	MSZ-GL12NA - U1	MSZ-GL15NA - U1	MSY-GL09NA - U1	MSY-GL12NA - U1	MSY-GL15NA - U1	Symbol in Wiring Diagram	Remarks
10	U01 A03 426	REMOTE CONTROLLER	1	1	1	1					KM15E
10	U01 A04 426	REMOTE CONTROLLER					1	1	1		KM15F
11	U01 A01 083	REMOTE CONTROLLER HOLDER	1	1	1	1	1	1	1		

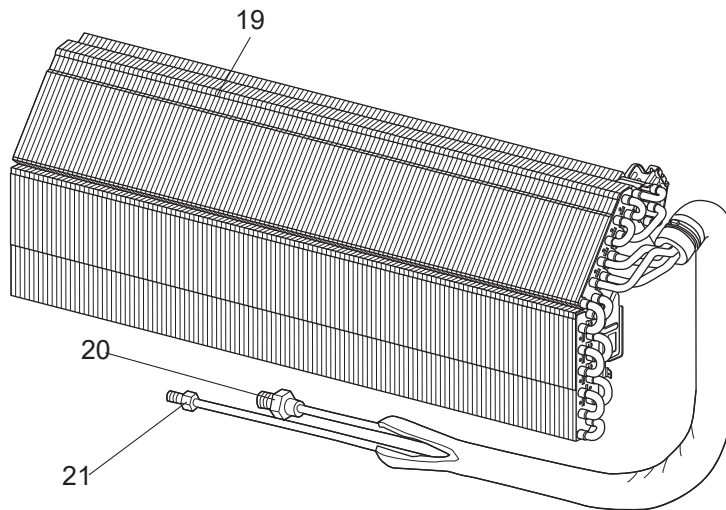
MSZ-GL06NA-U1 MSZ-GL09NA-U1 MSZ-GL12NA-U1 MSZ-GL15NA-U1

MSY-GL09NA-U1 MSY-GL12NA-U1 MSY-GL15NA-U1

1-3. INDOOR UNIT ELECTRICAL PARTS AND FUNCTIONAL PARTS



1-4. INDOOR UNIT HEAT EXCHANGER



1-3. INDOOR UNIT ELECTRICAL PARTS AND FUNCTIONAL PARTS

1. The part quantity below indicates the required number of pieces per unit.

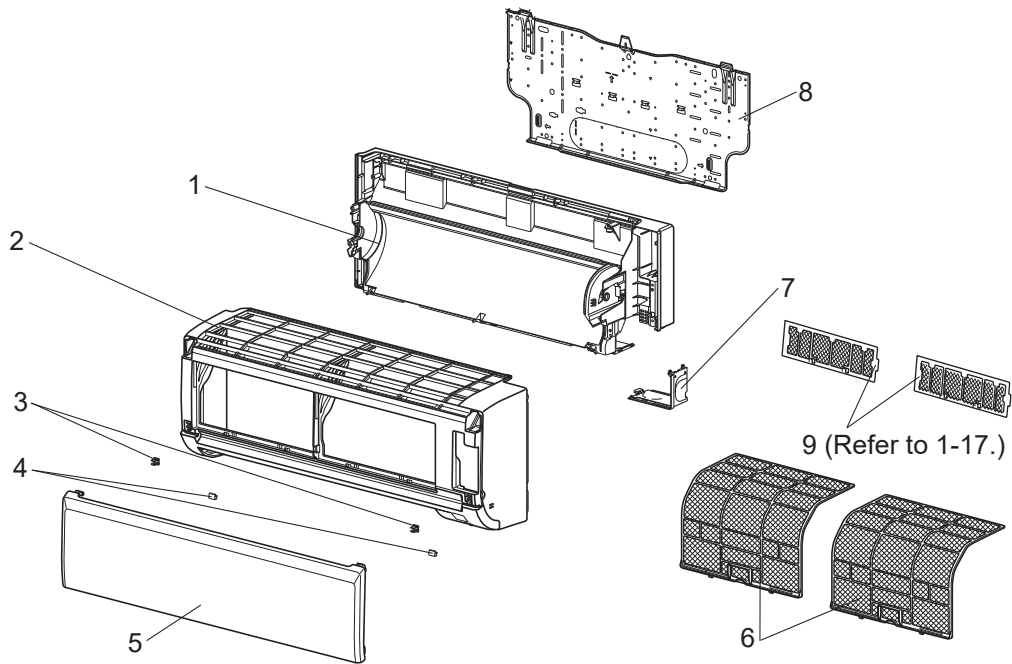
No.	Part No.	Part name	MSZ-GL06NA - [U1]	MSZ-GL09NA - [U1]	MSZ-GL12NA - [U1]	MSZ-GL15NA - [U1]	MSY-GL09NA - [U1]	MSY-GL12NA - [U1]	MSY-GL15NA - [U1]	Symbol in Wiring Diagram	Remarks
1	U01 A02 510	BEARING MOUNT ASSEMBLY	1	1	1	1	1	1	1		Includes sleeve bearing
2	U01 A01 702	DRAIN HOSE	1	1	1	1	1	1	1		
3	U01 A01 235	NOZZLE ASSEMBLY	1	1	1	1	1	1	1		
4	U01 A01 040	VANE-UPPER	1	1	1	1	1	1	1		
5	U01 A01 041	VANE-LOWER	1	1	1	1	1	1	1		
6	U01 A01 303	VANE MOTOR	1	1	1	1	1	1	1	MV	UP & DOWN
7	U01 A01 308	ROOM TEMPERATURE THERMISTOR	1	1	1	1	1	1	1	RT11	
8	U01 A28 452	ELECTRONIC CONTROL P.C. BOARD	1								
8	U01 A29 452	ELECTRONIC CONTROL P.C. BOARD		1							
8	U01 A30 452	ELECTRONIC CONTROL P.C. BOARD			1						
8	U01 A31 452	ELECTRONIC CONTROL P.C. BOARD				1					
8	U01 A14 452	ELECTRONIC CONTROL P.C. BOARD					1				
8	U01 A15 452	ELECTRONIC CONTROL P.C. BOARD						1			
8	U01 A16 452	ELECTRONIC CONTROL P.C. BOARD							1		
9	U01 A04 978	CONDUIT PLATE	1	1	1	1	1	1	1		
10	U01 A01 979	CONDUIT COVER	1	1	1	1	1	1	1		
11	U01 A01 440	POWER P.C. BOARD	1	1	1	1	1	1	1		Includes TERMINAL P.C. BOARD with TERMINAL BLOCK
12	U01 A01 307	INDOOR COIL THERMISTOR	1	1	1	1	1	1	1	RT12, RT13	
13	U01 A01 385	VARISTOR	1	1	1	1	1	1	1	NR11	
14	U01 A01 382	FUSE	1	1	1	1	1	1	1	F11	T3.15AL250V
15	U01 A01 784	V.A. CLAMP	1	1	1	1	1	1	1		
16	U01 A01 300	INDOOR FAN MOTOR	1	1	1	1	1	1	1	MF	RC0J30-□□, Includes FAN MOTOR RUBBER MOUNT (2 PCS/SET)
17	U01 A01 333	MOTOR BAND	1	1	1	1	1	1	1		
18	U01 A01 302	LINE FLOW FAN	1	1	1	1	1	1	1		

1-4. INDOOR UNIT HEAT EXCHANGER

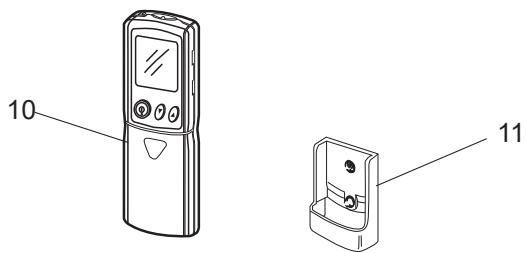
1. The part quantity below indicates the required number of pieces per unit.

No.	Part No.	Part name	MSZ-GL06NA - [U1]	MSZ-GL09NA - [U1]	MSZ-GL12NA - [U1]	MSZ-GL15NA - [U1]	MSY-GL09NA - [U1]	MSY-GL12NA - [U1]	MSY-GL15NA - [U1]	Symbol in Wiring Diagram	Remarks
19	U01 A03 620	INDOOR HEAT EXCHANGER	1	1	1		1	1			
19	U01 A04 620	INDOOR HEAT EXCHANGER				1		1			
20	U01 A01 666	UNION GAS	1	1	1		1	1			ø3/8 (ø9.52)
20	U01 A02 666	UNION GAS				1		1			ø1/2 (ø12.7)
21	U01 A01 667	UNION LIQUID	1	1	1	1	1	1			ø1/4 (ø6.35)

MSZ-GL06NA-U2 MSZ-GL09NA-U2 MSZ-GL12NA-U2 MSZ-GL15NA-U2
MSY-GL09NA-U2 MSY-GL12NA-U2 MSY-GL15NA-U2
1-5. INDOOR UNIT STRUCTURAL PARTS



1-6. ACCESSORY AND REMOTE CONTROLLER



1-5. INDOOR UNIT STRUCTURAL PARTS

1. The part quantity below indicates the required number of pieces per unit.

No.	Part No.	Part name	MSZ-GL06NA - U2	MSZ-GL09NA - U2	MSZ-GL12NA - U2	MSZ-GL15NA - U2	MSY-GL09NA - U2	MSY-GL12NA - U2	MSY-GL15NA - U2	Symbol in Wiring Diagram	Remarks
1	U01 A01 234	BOX ASSEMBLY	1	1	1	1	1	1	1		
2	U01 A02 000	PANEL ASSEMBLY	1	1	1	1	1	1	1		Includes No. 3, 4, and 5
3	U01 A01 142	CATCH	2	2	2	2	2	2	2		2 PCS/SET
4	U01 A01 067	SCREW CAP	2	2	2	2	2	2	2		2 PCS/SET
5	U01 A02 010	FRONT PANEL	1	1	1	1	1	1	1		
6	U01 A01 100	AIR FILTER (NANO PLATINUM FILTER)	2	2	2	2	2	2	2		1 PC/SET
7	U01 A01 975	CORNER BOX (RIGHT)	1	1	1	1	1	1	1		
8	U01 A01 970	INSTALLATION PLATE	1	1	1	1	1	1	1		
9	-	AIR CLEANING FILTER (ANTI-ALLERGY ENZYME FILTER)	2	2	2	2	2	2	2		MAC-408FT-E 2 PCS/SET

1-6. ACCESSORY AND REMOTE CONTROLLER

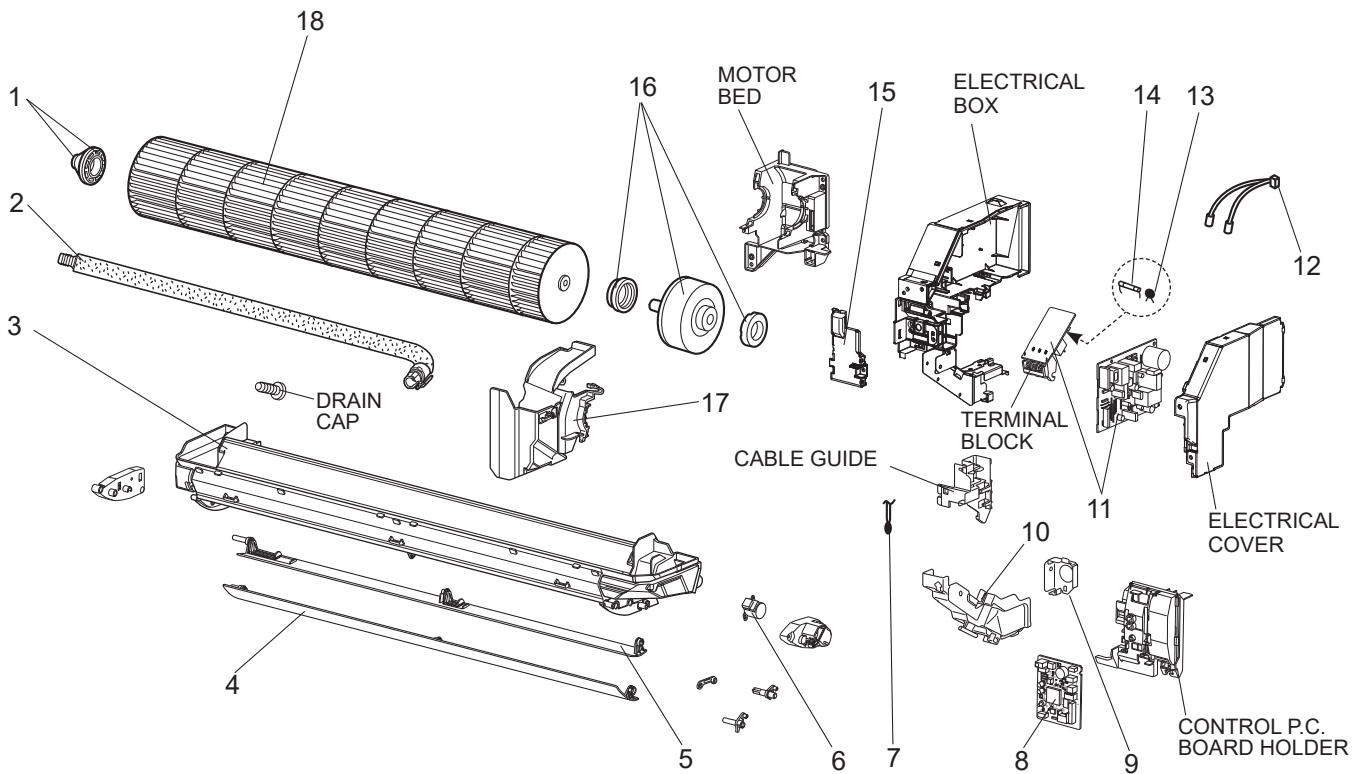
1. The part quantity below indicates the required number of pieces per unit.

No.	Part No.	Part name	MSZ-GL06NA - U2	MSZ-GL09NA - U2	MSZ-GL12NA - U2	MSZ-GL15NA - U2	MSY-GL09NA - U2	MSY-GL12NA - U2	MSY-GL15NA - U2	Symbol in Wiring Diagram	Remarks
10	U01 A11 426	REMOTE CONTROLLER	1	1	1	1					KH21A
10	U01 A12 426	REMOTE CONTROLLER					1	1	1		KH21B
11	U01 A03 083	REMOTE CONTROLLER HOLDER	1	1	1	1	1	1	1		

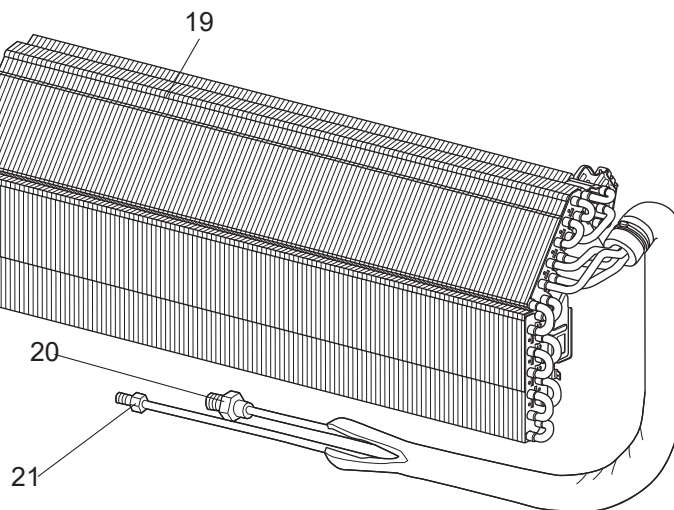
MSZ-GL06NA-U2 MSZ-GL09NA-U2 MSZ-GL12NA-U2 MSZ-GL15NA-U2

MSY-GL09NA-U2 MSY-GL12NA-U2 MSY-GL15NA-U2

1-7. INDOOR UNIT ELECTRICAL PARTS AND FUNCTIONAL PARTS



1-8. INDOOR UNIT HEAT EXCHANGER



1-7. INDOOR UNIT ELECTRICAL PARTS AND FUNCTIONAL PARTS

1. The part quantity below indicates the required number of pieces per unit.

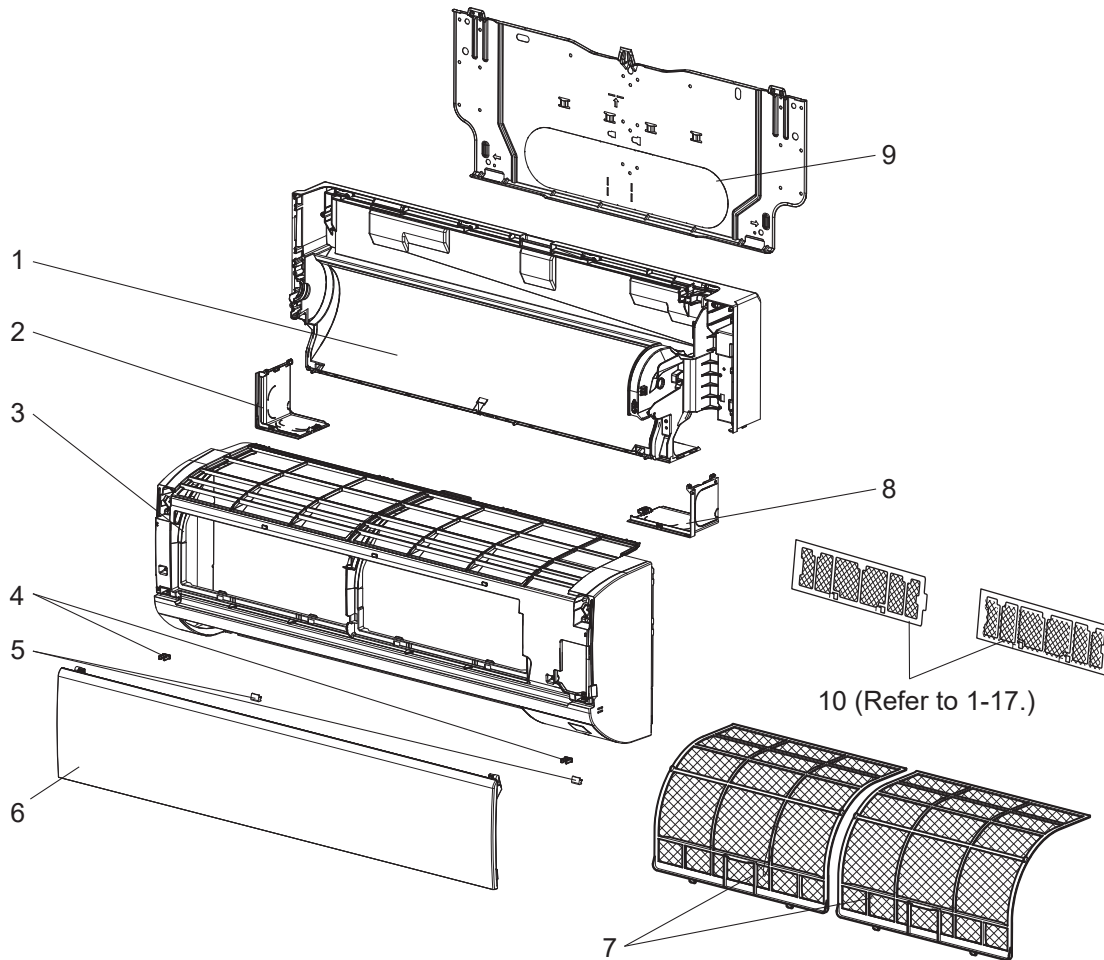
No.	Part No.	Part name	MSZ-GL06NA - [U2]	MSZ-GL09NA - [U2]	MSZ-GL12NA - [U2]	MSZ-GL15NA - [U2]	MSY-GL09NA - [U2]	MSY-GL12NA - [U2]	MSY-GL15NA - [U2]	Symbol in Wiring Diagram	Remarks
1	U01 A02 510	BEARING MOUNT ASSEMBLY	1	1	1	1	1	1	1		Includes sleeve bearing
2	U01 A01 702	DRAIN HOSE	1	1	1	1	1	1	1		
3	U01 A01 235	NOZZLE ASSEMBLY	1	1	1	1	1	1	1		
4	U01 A01 040	VANE-UPPER	1	1	1	1	1	1	1		
5	U01 A01 041	VANE-LOWER	1	1	1	1	1	1	1		
6	U01 A01 303	VANE MOTOR	1	1	1	1	1	1	1	MV	UP & DOWN
7	U01 A08 308	ROOM TEMPERATURE THERMISTOR	1	1	1	1	1	1	1	RT11	
8	U01 A45 452	ELECTRONIC CONTROL P.C. BOARD	1								
8	U01 A46 452	ELECTRONIC CONTROL P.C. BOARD		1							
8	U01 A47 452	ELECTRONIC CONTROL P.C. BOARD			1						
8	U01 A48 452	ELECTRONIC CONTROL P.C. BOARD				1					
8	U01 A49 452	ELECTRONIC CONTROL P.C. BOARD					1				
8	U01 A50 452	ELECTRONIC CONTROL P.C. BOARD						1			
8	U01 A51 452	ELECTRONIC CONTROL P.C. BOARD							1		
9	U01 A04 978	CONDUIT PLATE	1	1	1	1	1	1	1		
10	U01 A01 979	CONDUIT COVER	1	1	1	1	1	1	1		
11	U01 A03 440	POWER P.C. BOARD	1	1	1	1	1	1	1		Includes TERMINAL P.C. BOARD with TERMINAL BLOCK
12	U01 A09 308	INDOOR COIL THERMISTOR	1	1	1	1	1	1	1	RT12, RT13	
13	U01 A01 385	VARISTOR	1	1	1	1	1	1	1	NR11	
14	U01 001 239	FUSE	1	1	1	1	1	1	1	F11	T3.15AL250V
15	U01 A01 784	V.A. CLAMP	1	1	1	1	1	1	1		
16	U01 A01 300	INDOOR FAN MOTOR	1	1	1	1	1	1	1	MF	RC0J30-□□, Includes FAN MOTOR RUBBER MOUNT (2 PCS/SET)
17	U01 A01 333	MOTOR BAND	1	1	1	1	1	1	1		
18	U01 A01 302	LINE FLOW FAN	1	1	1	1	1	1	1		

1-8. INDOOR UNIT HEAT EXCHANGER

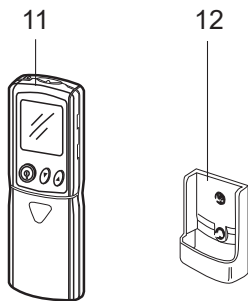
1. The part quantity below indicates the required number of pieces per unit.

No.	Part No.	Part name	MSZ-GL06NA - [U2]	MSZ-GL09NA - [U2]	MSZ-GL12NA - [U2]	MSZ-GL15NA - [U2]	MSY-GL09NA - [U2]	MSY-GL12NA - [U2]	MSY-GL15NA - [U2]	Symbol in Wiring Diagram	Remarks
19	U01 A03 620	INDOOR HEAT EXCHANGER	1	1	1		1	1			
19	U01 A04 620	INDOOR HEAT EXCHANGER				1		1			
20	U01 A01 666	UNION GAS	1	1	1		1	1			ø3/8 (ø9.52)
20	U01 A02 666	UNION GAS				1		1			ø1/2 (ø12.7)
21	U01 A01 667	UNION LIQUID	1	1	1	1	1	1			ø1/4 (ø6.35)

MSZ-GL18NA MSY-GL18NA
1-9. INDOOR UNIT STRUCTURAL PARTS



1-10. ACCESSORY AND REMOTE CONTROLLER



1-9. INDOOR UNIT STRUCTURAL PARTS

1. The part quantity below indicates the required number of pieces per unit.

No.	Part No.	Part name	MSZ-GL18NA - <input type="checkbox"/> UT	MSY-GL18NA - <input type="checkbox"/> UT	Symbol in Wiring Diagram	Remarks
1	E22 N87 234	BOX ASSEMBLY	1	1		
2	E22 N87 976	CORNER BOX LEFT	1	1		
3	E22 N94 000	PANEL ASSEMBLY	1	1		Includes No. 4, 5, and 6
4	E22 F95 142	CATCH	2	2		2 PCS/SET
5	E22 913 067	SCREW CAP	2	2		2 PCS/SET
6	E22 N87 010	FRONT PANEL	1	1		
7	E22 N94 100	AIR FILTER (NANO PLATINUM FILTER)	2	2		1 PC/SET
8	E22 N87 975	CORNER BOX RIGHT	1	1		
9	E22 N87 970	INSTALLATION PLATE	1	1		
10	-	AIR CLEANING FILTER (ANTI-ALLERGY ENZYME FILTER)	2	2		MAC-408FT-E 2 PCS/SET

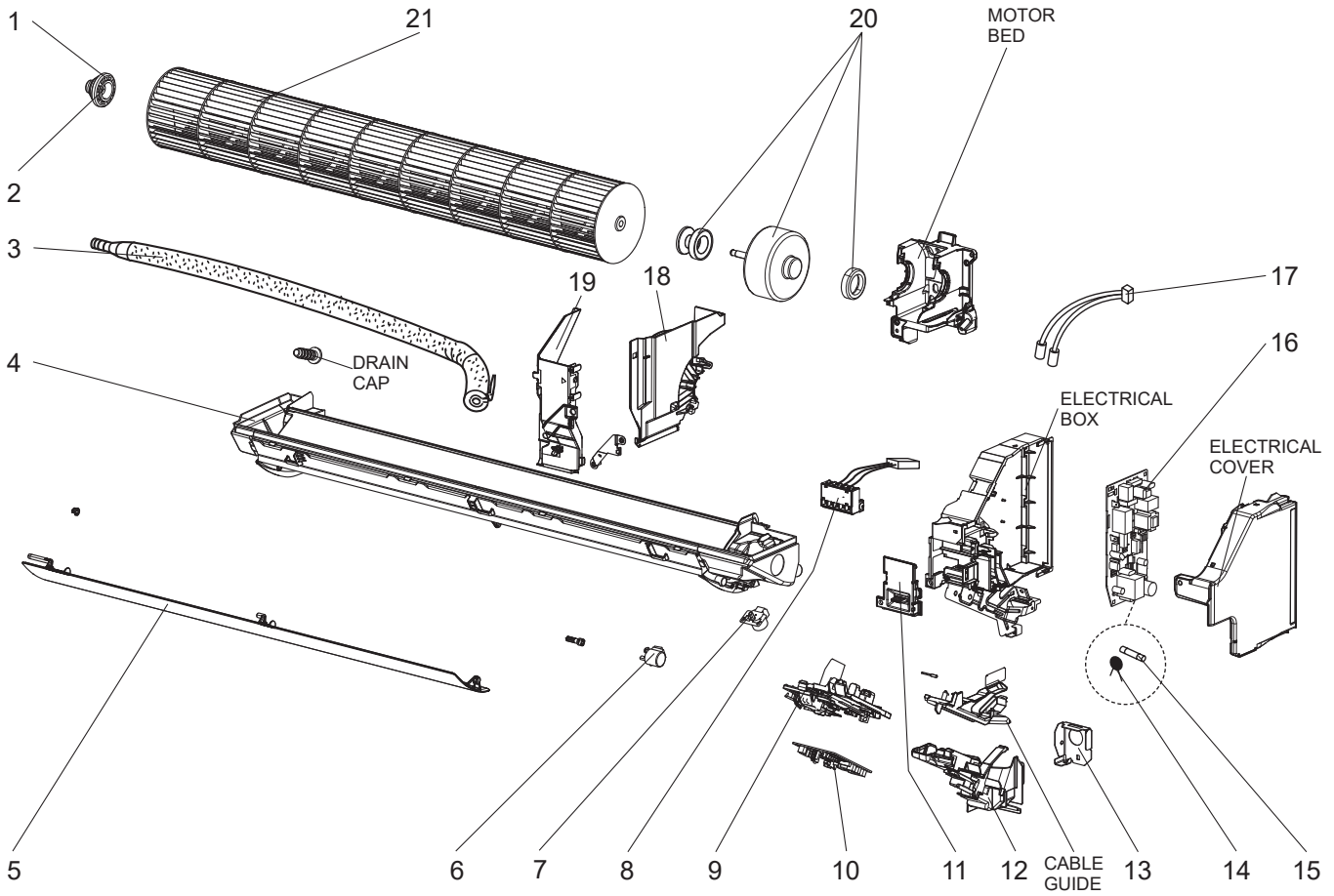
1-10. ACCESSORY AND REMOTE CONTROLLER

1. The part quantity below indicates the required number of pieces per unit.

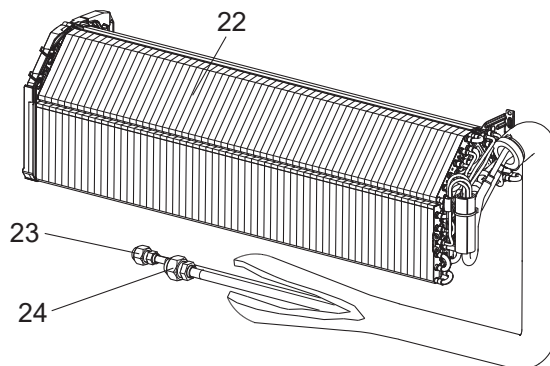
No.	Part No.	Part name	MSZ-GL18NA - <input type="checkbox"/> UT	MSY-GL18NA - <input type="checkbox"/> UT	Symbol in Wiring Diagram	Remarks
11	E22 N91 426	REMOTE CONTROLLER	1			KM15A
11	E22 N94 426	REMOTE CONTROLLER		1		KM15B
12	E22 527 083	REMOTE CONTROLLER HOLDER	1	1		

MSZ-GL18NA MSY-GL18NA

1-11. INDOOR UNIT ELECTRICAL PARTS AND FUNCTIONAL PARTS



1-12. INDOOR UNIT HEAT EXCHANGER



1-11. INDOOR UNIT ELECTRICAL PARTS AND FUNCTIONAL PARTS

1. The part quantity below indicates the required number of pieces per unit.

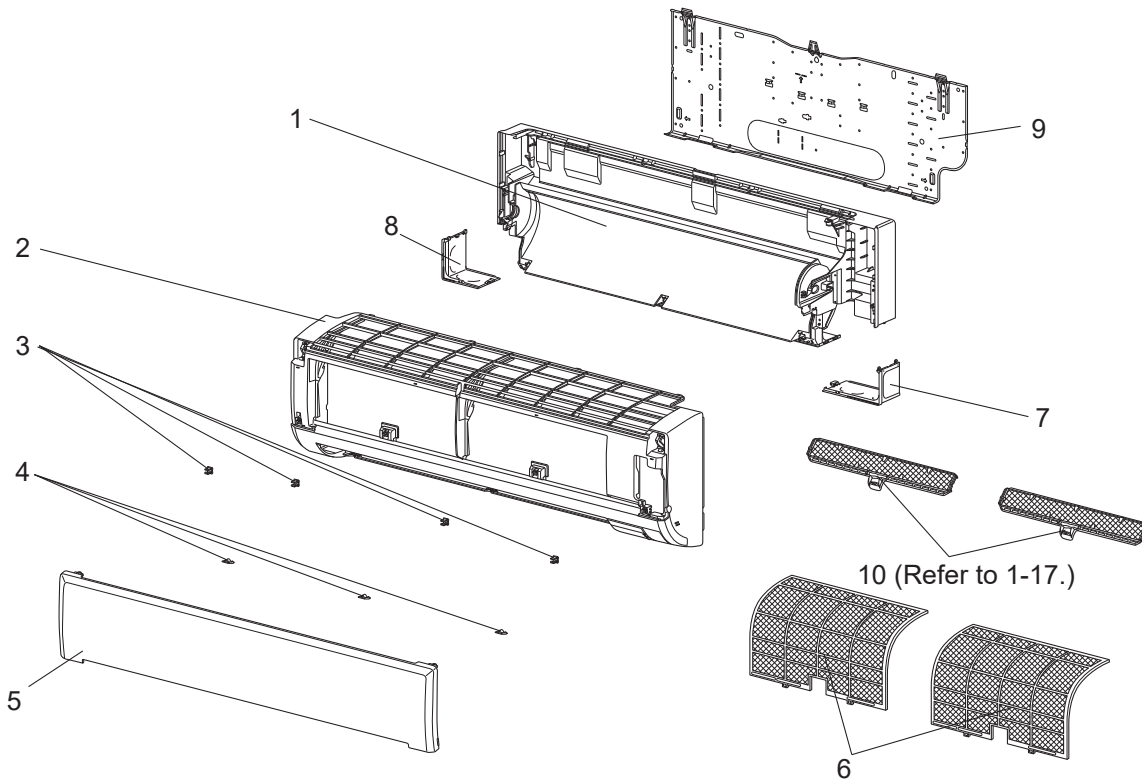
No.	Part No.	Part name	MSZ-GL18NA-□□	MSY-GL18NA-□□	Symbol in Wiring Diagram	Remarks
1	E22 751 509	BEARING MOUNT	1	1		
2	E22 001 504	SLEEVE BEARING	1	1		
3	E22 P72 702	DRAIN HOSE	1	1		
4	E22 N94 235	NOZZLE ASSEMBLY	1	1		
5	E22 N87 040	HORIZONTAL VANE	1	1		
6	E22 N87 303	VANE MOTOR (HORIZONTAL)	1	1	MV1	UP & DOWN
7	E22 J44 303	VANE MOTOR (VERTICAL)	1	1	MV2	RIGHT & LEFT
8	E22 N94 375	TERMINAL BLOCK ASSEMBLY	1	1	TB	Includes THERMAL FUSE (F12)
9	E22 N87 095	CONTROL P.C. BOARD HOLDER ASSEMBLY	1	1		
10	E22 21B 452	ELECTRONIC CONTROL P.C. BOARD	1			Includes ROOM TEMPERATURE THERMISTOR (RT11)
10	E22 N94 452	ELECTRONIC CONTROL P.C. BOARD		1		Includes ROOM TEMPERATURE THERMISTOR (RT11)
11	E22 N87 784	V.A. CLAMP	1	1		
12	E22 N94 979	CONDUIT COVER	1	1		
13	E22 N94 978	CONDUIT PLATE	1	1		
14	E22 B75 385	VARISTOR	1	1	NR11	
15	E22 A49 382	FUSE	1	1	F11	T3.15AL250V
16	E22 N94 440	POWER P.C. BOARD	1	1		
17	E22 N87 307	INDOOR COIL THERMISTOR	1	1	RT12, RT13	
18	E22 N87 333	MOTOR BAND	1	1		
19	E22 N87 541	WATER COVER	1	1		
20	E22 J44 300	INDOOR FAN MOTOR	1	1	MF	RC0J30-□□, Includes FAN MOTOR RUBBER MOUNT (2 PCS/SET)
21	E22 N87 302	LINE FLOW FAN	1	1		

1-12. INDOOR UNIT HEAT EXCHANGER

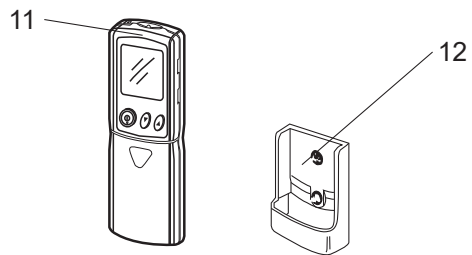
1. The part quantity below indicates the required number of pieces per unit.

No.	Part No.	Part name	MSZ-GL18NA-□□	MSY-GL18NA-□□	Symbol in Wiring Diagram	Remarks
22	E22 28E 620	INDOOR HEAT EXCHANGER	1	1		
23	E22 151 667	UNION (LIQUID)	1	1		ø1/4 (ø6.35)
24	E22 179 667	UNION (GAS)	1	1		ø1/2 (ø12.7)

MSZ-GL24NA MSY-GL24NA
1-13. INDOOR UNIT STRUCTURAL PARTS



1-14. ACCESSORY AND REMOTE CONTROLLER



1-13. INDOOR UNIT STRUCTURAL PARTS

1. The part quantity below indicates the required number of pieces per unit.

No.	Part No.	Part name	MSZ-GL24NA - [UT]	MSY-GL24NA - [UT]	Symbol in Wiring Diagram	Remarks
1	E22 J94 234	BOX ASSEMBLY	1	1		
2	E22 T16 000	PANEL ASSEMBLY	1	1		Includes No. 3, 4, and 5
3	E22 408 142	CATCH	4	4		4 PCS/SET
4	E22 F28 067	SCREW CAP	3	3		3 PCS/SET
5	E22 R19 010	FRONT PANEL	1	1		
6	E22 F28 100	AIR FILTER (NANO PLATINUM FILTER)	2	2		1 PC/SET
7	E22 F28 975	CORNER BOX (RIGHT)	1	1		
8	E22 F28 976	CORNER BOX (LEFT)	1	1		
9	E22 F28 970	INSTALLATION PLATE	1	1		
10	-	AIR CLEANING FILTER (ELECTROSTATIC ANTI-ALLERGY ENZYME FILTER)	2	2		MAC-2310FT-E 2 PCS/SET

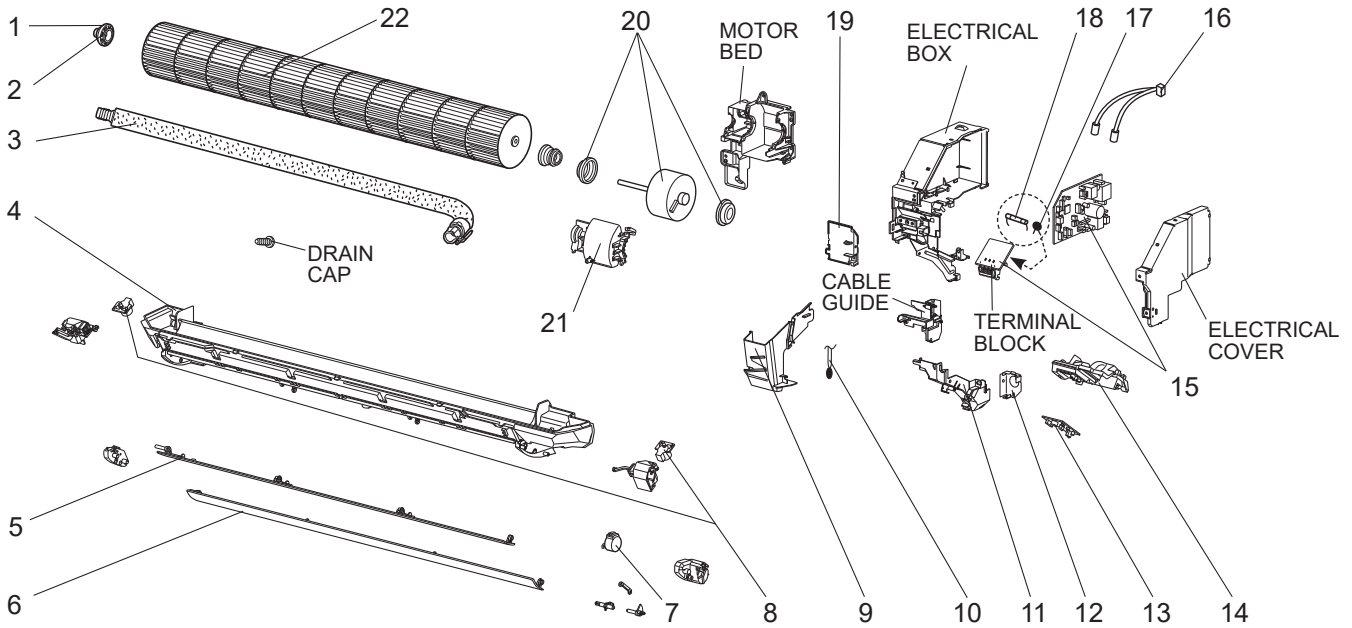
1-14. ACCESSORY AND REMOTE CONTROLLER

1. The part quantity below indicates the required number of pieces per unit.

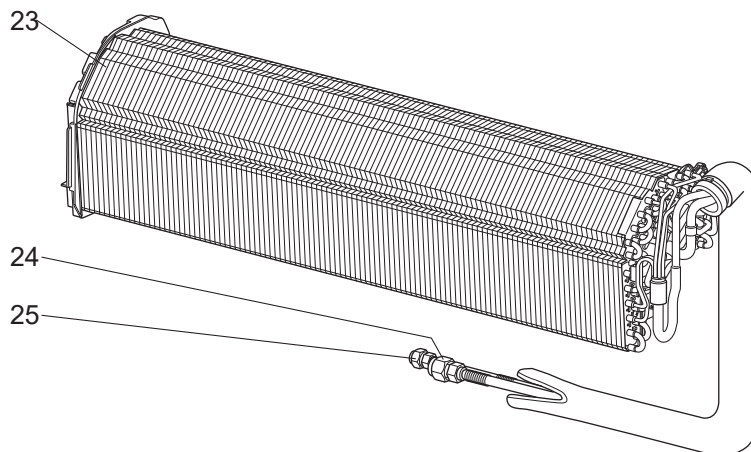
No.	Part No.	Part name	MSZ-GL24NA - [UT]	MSY-GL24NA - [UT]	Symbol in Wiring Diagram	Remarks
11	E22 T16 426	REMOTE CONTROLLER	1			KM15H
11	E22 T17 426	REMOTE CONTROLLER		1		KM15J
12	E22 527 083	REMOTE CONTROLLER HOLDER	1	1		

MSZ-GL24NA MSY-GL24NA

1-15. INDOOR UNIT ELECTRICAL PARTS AND FUNCTIONAL PARTS



1-16. INDOOR UNIT HEAT EXCHANGER



1-15. INDOOR UNIT ELECTRICAL PARTS AND FUNCTIONAL PARTS

1. The part quantity below indicates the required number of pieces per unit.

No.	Part No.	Part name	MSZ-GL24NA - [UT]	MSY-GL24NA - [UT]	Symbol in Wiring Diagram	Remarks
1	E22 751 509	BEARING MOUNT	1	1		
2	E22 001 504	SLEEVE BEARING	1	1		
3	E22 T20 702	DRAIN HOSE	1	1		
4	E22 F76 235	NOZZLE ASSEMBLY	1	1		
5	E22 F76 040	VANE (UPPER)	1	1		
6	E22 F76 041	VANE (LOWER)	1	1		
7	E22 C33 303	VANE MOTOR (HORIZONTAL)	1	1	MV1	UP & DOWN
8	E22 C32 303	VANE MOTOR (VERTICAL)	2	2	MV2	RIGHT & LEFT
9	E22 F28 541	WATER CUT	1	1		
10	E22 C32 308	ROOM TEMPERATURE THERMISTOR	1	1	RT11	
11	E22 F76 979	CONDUIT COVER	1	1		
12	E22 F76 978	CONDUIT PLATE	1	1		
13	E22 F28 468	POWER MONITOR RECEIVER SW P.C. BOARD	1	1		
14	E22 F28 095	POWER MONITOR RECEIVER HOLDER	1	1		
15	E22 94A 452	ELECTRONIC CONTROL P.C. BOARD	1			Includes TERMINAL P.C. BOARD with TERMINAL BLOCK
15	E22 T17 452	ELECTRONIC CONTROL P.C. BOARD		1		Includes TERMINAL P.C. BOARD with TERMINAL BLOCK
16	E22 F28 307	INDOOR COIL THERMISTOR	1	1	RT12, RT13	
17	E22 B75 385	VARISTOR	1	1	NR11	
18	E22 A49 382	FUSE	1	1	F11	T3.15AL250V
19	E22 F76 784	V.A. CLAMP	1	1		
20	E22 F28 300	INDOOR FAN MOTOR	1	1	MF	RC0J56-□□, Includes FAN MOTOR RUBBER MOUNT (2 PCS/SET)
21	E22 F28 333	MOTOR BAND	1	1		
22	E22 F28 302	LINE FLOW FAN	1	1		

1-16. INDOOR UNIT HEAT EXCHANGER

1. The part quantity below indicates the required number of pieces per unit.

No.	Part No.	Part name	MSZ-GL24NA - [UT]	MSY-GL24NA - [UT]	Symbol in Wiring Diagram	Remarks
23	E22 36E 620	INDOOR HEAT EXCHANGER	1	1		
24	E22 527 666	UNION (GAS)	1	1		ø5/8 (ø15.88)
25	E22 815 666	UNION (LIQUID)	1	1		ø3/8 (ø9.52)

1-17. AIR CLEANING FILTER

Every 3 months:

- Remove dirt by a vacuum cleaner.

When dirt cannot be removed by vacuum cleaning:

- Soak the filter and its frame in lukewarm water before rinsing it.
- After washing, dry it well in shade.

Every year:

- Replace it with a new air cleaning filter for best performance.

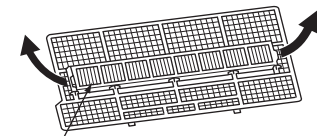
NOTE 1: Clean the filters regularly for best performance and to reduce power consumption.

NOTE 2: Dirty filters cause condensation in the air conditioner which will contribute to the growth of fungi such as mold. It is therefore recommended to clean air filters every 2 weeks.

(ANTI-ALLERGY ENZYME FILTER)

Model	Part No.
MSZ-GL06NA	MAC-408FT-E
MSZ-GL09NA	
MSZ-GL12NA	
MSZ-GL15NA	
MSZ-GL18NA	
MSY-GL09NA	
MSY-GL12NA	
MSY-GL15NA	
MSY-GL18NA	

Pull to remove from the air filter



Air cleaning filter
(Blue bellows type)

(ELECTROSTATIC ANTI-ALLERGY ENZYME FILTER)

Model	Part No.
MSZ-GL24NA	MAC-2310FT-E
MSY-GL24NA	

MITSUBISHI ELECTRIC CORPORATION

HEAD OFFICE: TOKYO BUILDING, 2-7-3, MARUNOUCHI, CHIYODA-KU, TOKYO 100-8310, JAPAN

© Copyright 2015 MITSUBISHI ELECTRIC CORPORATION

Issued: Feb. 2022 No. OBB732 REVISED EDITION-E

Issued: Oct. 2019 No. OBB732 REVISED EDITION-D

Issued: Mar. 2018 No. OBB732 REVISED EDITION-C

Issued: Oct. 2017 No. OBB732 REVISED EDITION-B

Issued: Nov. 2015 No. OBB732 REVISED EDITION-A

Published: Sep. 2015 No. OBB732

Made in Japan

Specifications are subject to change without notice.