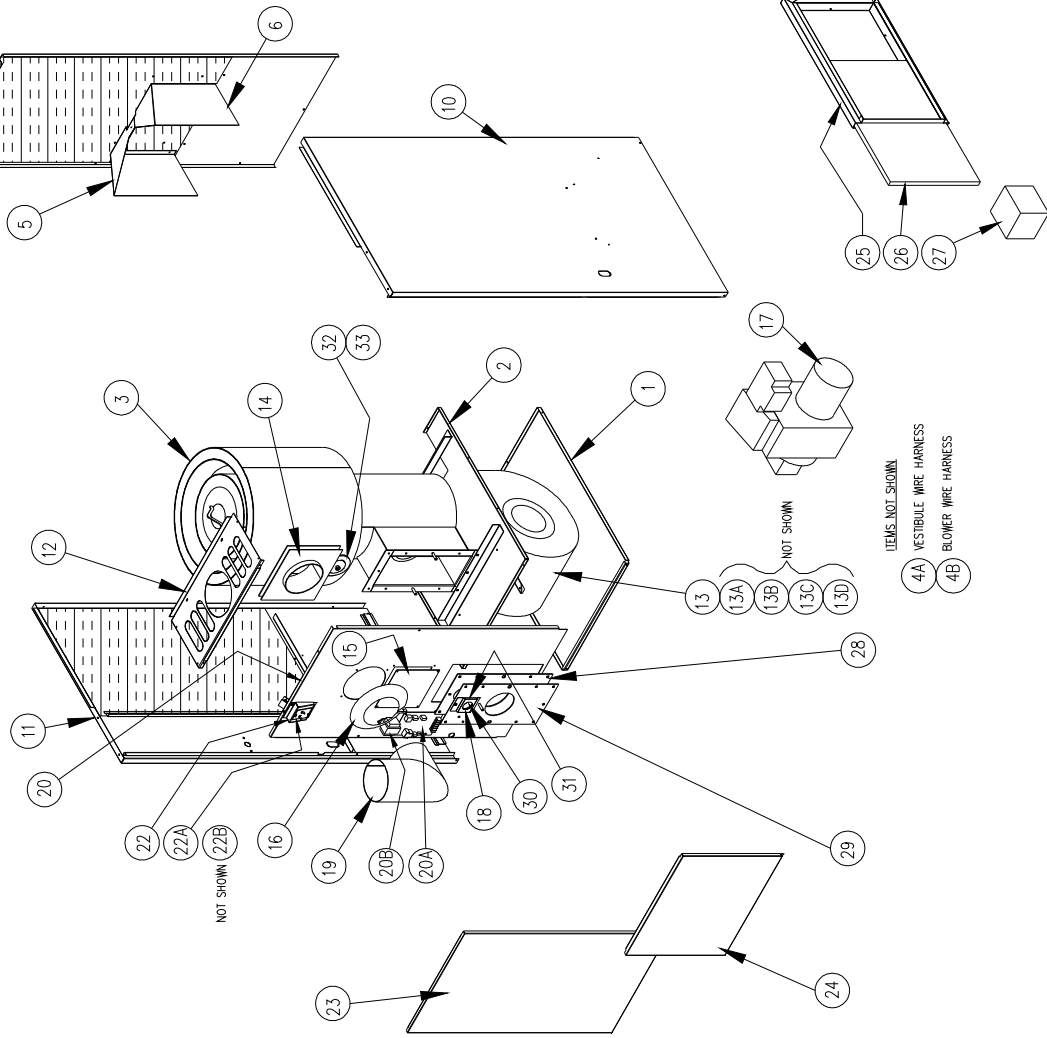


APPENDIX D: REPLACEMENT PARTS Highboy Model

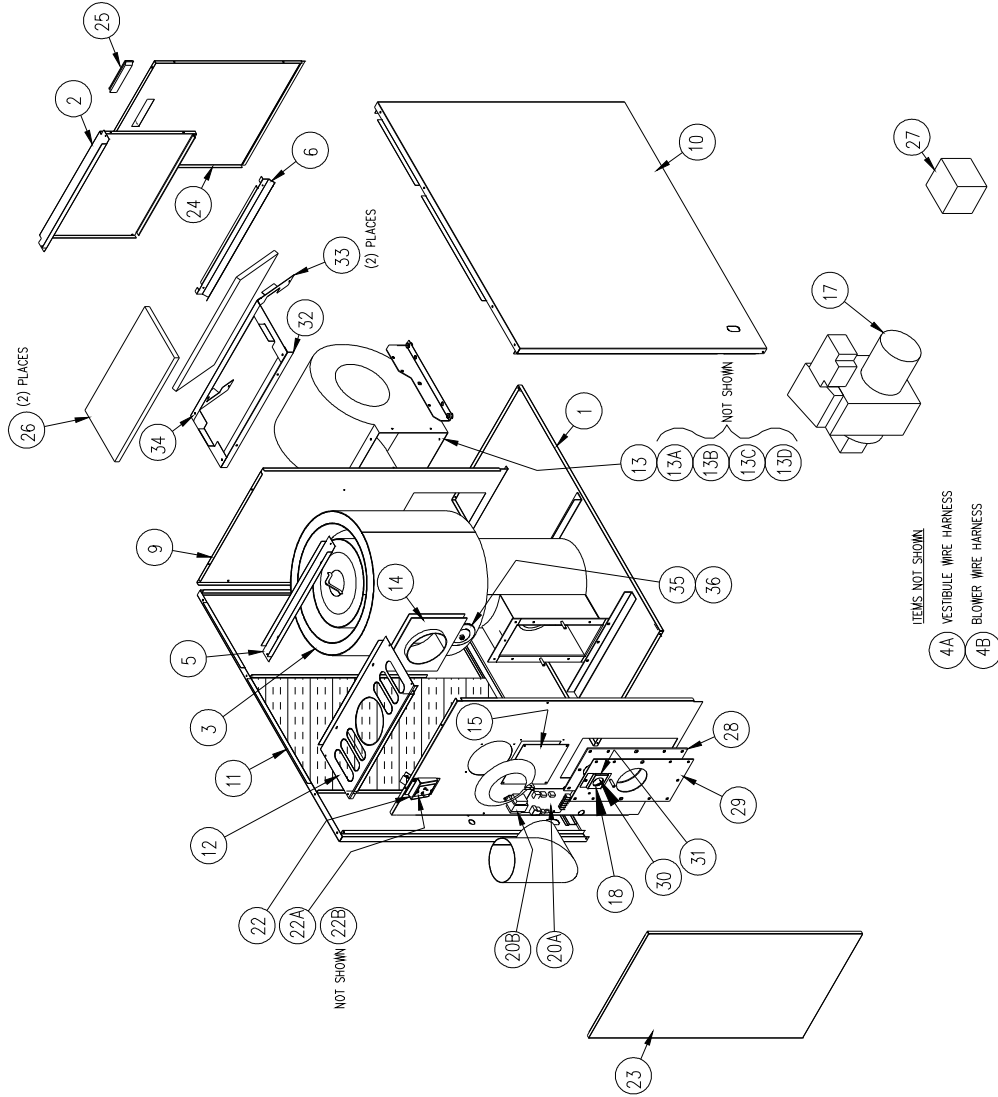
ITEM	PARTS DESCRIPTION	PART NO.	QTY.
32	CLEAN-OUT COVER ASSY W/GASKET	AOPS7684	1
33	GASKET, 4" CLEAN-OUT COVER	330009	1



ITEM	PARTS DESCRIPTION	PART NO.	QTY.
1	BASE	17345	1
2	BLOWER PAN	27350	1
3	HEAT EXCHANGER	37940	1
4A	WIRE HARNESS, VESTIBULE	350267	1
4B	WIRE HARNESS, BLOWER	350268	1
5	BAFFLE PIECE, LEFT SIDE	17367	1
6	BAFFLE PIECE, RIGHT SIDE	17372	1
9	CASING, BACK	617339-2	1
10	SIDE CASING, RIGHT	627338-2	1
11	SIDE CASING, LEFT	627337-2	1
12	PANEL, TOP FRONT	617346-2	1
13	BLOWER SUB-ASSEMBLY	S00S4209	1
13A	DIRECT DRIVE BLOWER	S00S4143	1
13B	MOTOR w \ CAPACITOR	AOPS7652	1
13C	CAPACITOR	350073	1
13D	MOTOR BRACKET ASSY	AOPS7670	1
14	GASKET, FLUE BACKING PLATE	330008	1
15	PANEL, CLEAN-OUT	617951	1
16	DRAW COLLAR	14131	1
17	BURNER, BECKETT	(AF) 380664 (NX) 380783	1
18	SIGHT GLASS BRACKET	18185	1
19	ELBOW	35719	1
20	SEPARATOR PANEL	619142	1
20A	OIL FURNACE CONTROL	AOPS8380	1
20B	TRANSFORMER	350464	1
22	LIMIT BRACKET	29156	1
22A	LIMIT SWITCH	350103	1
22B	INSULATING BOOT	350036	1
23	DOOR, FRONT	617352-2	1
24	DOOR, BLOWER ACCESS	617354-2	1
25	FILTER RACK	27373	1
26	FILTER	370187	1
27	DRAFT CONTROL	370190	1
28	GASKET, BURNER MOUNTING PLATE	330180	1
29	BURNER MOUNTING PLATE	27801	1
30	PYREX SIGHT GLASS	330081	1
31	GASKET, SIGHT GLASS	330098	1

Lowboy Front Flue Model

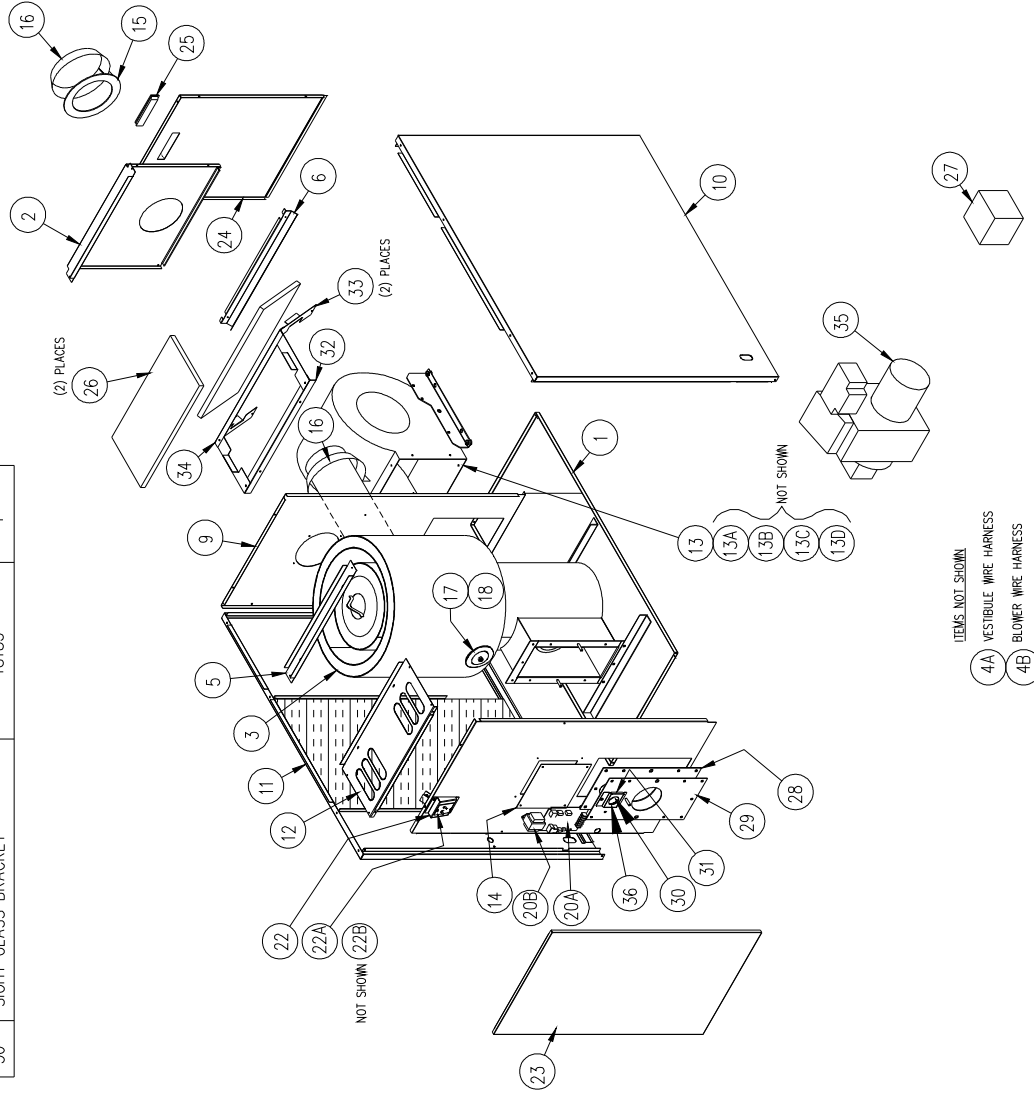
ITEM	PARTS DESCRIPTION	PART NO.	QTY.
32	FILTER RACK, TOP PIECE	18151	1
33	FILTER RACK, SIDE PIECE	18149	2
34	FILTER RACK, MIDDLE PIECE	18150	1
35	CLEAN-OUT COVER ASSY W/GASKET	AOPS7684	1
36	GASKET, 4" CLEAN-OUT COVER	330009	1



ITEM	PARTS DESCRIPTION	PART NO.	QTY.
1	BASE	28132	1
2	PANEL, REAR	617956-2	1
3	HEAT EXCHANGER	37940	1
4A	WIRE HARNESS, VESTIBULE	350267	1
4B	WIRE HARNESS, BLOWER	350269	1
5	PLENUM PIECE, TOP MIDDLE	618144-2	1
6	FILTER RACK, BOTTOM PIECE	18152	1
9	SEPARATOR PANEL, REAR	18154	1
10	SIDE CASING, RIGHT	628137-2	1
11	SIDE CASING, LEFT	628138-2	1
12	PANEL, TOP FRONT	617346-2	1
13	BLOWER SUB-ASSEMBLY	S00S4212	1
13A	DIRECT DRIVE BLOWER	S00S4143	1
13B	MOTOR w/ CAPACITOR	AOPS7652	1
13C	CAPACITOR	350073	1
13D	MOTOR BRACKET ASSY	AOPS7670	1
14	GASKET, FLUE BACKING PLATE	330008	1
15	PANEL, CLEAN-OUT	17951	1
16	DRAW COLLAR	14131	1
17	BURNER, BECKETT	(AF) 360664 (NX) 380783	1
18	SIGHT GLASS BRACKET	18185	1
19	ELBOW	35719	1
20	SEPARATOR PANEL	619142	1
20A	OIL FURNACE CONTROL	AOPS68380	1
20B	TRANSFORMER	350464	1
21			
22	LIMIT BRACKET	29156	1
22A	LIMIT SWITCH	350103	1
22B	INSULATING BOOT	350036	1
23	DOOR, FRONT	617352-2	1
24	PANEL, BLOWER ACCESS	617954-2	1
25	DOOR HANDLE	320157	1
26	FILTER	370188	2
27	DRAFT CONTROL	370190	1
28	GASKET, BURNER MOUNTING PLATE	330180	1
29	BURNER MOUNTING PLATE	27801	1
30	PYREX SIGHT GLASS	330081	1
31	GASKET, SIGHT GLASS	330098	1

Lowboy Rear Flue Model

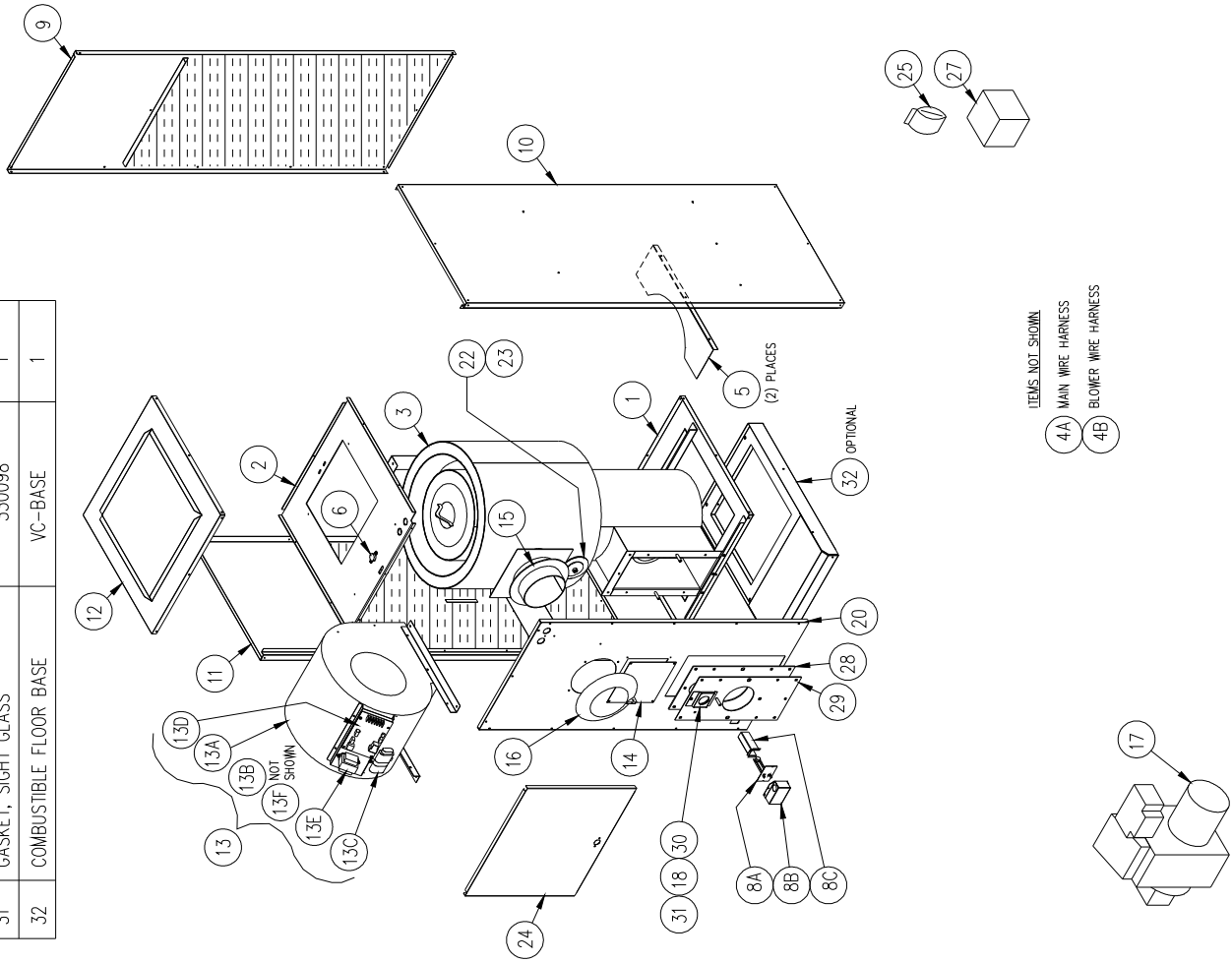
ITEM	PARTS DESCRIPTION	PART NO.	QTY.
32	FILTER RACK, TOP PIECE	18151	1
33	FILTER RACK, SIDE PIECE	18149	2
34	FILTER RACK, MIDDLE PIECE	18150	1
35	BURNER, BECKETT	(AF) 380664 (NX) 380783	1
36	SIGHT GLASS BRACKET	18185	1



ITEM	PARTS DESCRIPTION	PART NO.	QTY.
1	BASE	28132	1
2	PANEL, REAR	617955-2	1
3	HEAT EXCHANGER	38135	1
4A	WIRE HARNESS, VESTIBULE	350267	1
4B	WIRE HARNESS, BLOWER	350269	1
5	PLENUM PIECE, TOP MIDDLE	618144-2	1
6	FILTER RACK, BOTTOM PIECE	18152	1
9	SEPARATOR PANEL, REAR	18143	1
10	SIDE CASING, RIGHT	628137-2	1
11	SIDE CASING, LEFT	628138-2	1
12	PANEL, TOP FRONT	617383-2	1
13	BLOWER SUB-ASSEMBLY	S00S4212	1
13A	DIRECT DRIVE BLOWER	S00S4143	1
13B	MOTOR w\ CAPACITOR	AOPS7652	1
13C	CAPACITOR	350073	1
13D	MOTOR BRACKET ASSY	AOPS7670	1
14	PANEL, CLEAN-OUT ACCESS	17951	1
15	GASKET, FLUE COLLAR	330005	1
16	DRAW COLLAR	14131	2
17	CLEAN-OUT COVER ASSY W/GASKET	AOPS7684	1
18	GASKET, 4" CLEAN-OUT COVER	330009	1
19			
20	SEPARATOR PANEL	619143	1
20A	OIL FURNACE CONTROL	AOPS8380	1
20B	TRANSFORMER	350464	1
21			
22	LIMIT BRACKET	19156	1
22A	LIMIT SWITCH	19154	1
22B	INSULATING BOOT	350036	1
23	DOOR, FRONT	617352-2	1
24	PANEL, BLOWER ACCESS	617954-2	1
25	DOOR HANDLE	320157	1
26	FILTER	370188	2
27	DRAFT CONTROL	370190	1
28	GASKET, BURNER MOUNTING PLATE	330180	1
29	BURNER MOUNTING PLATE	27801	1
30	PYREX SIGHT GLASS	330081	1
31	GASKET, SIGHT GLASS	330098	1

Horizontal/Counterflow Model

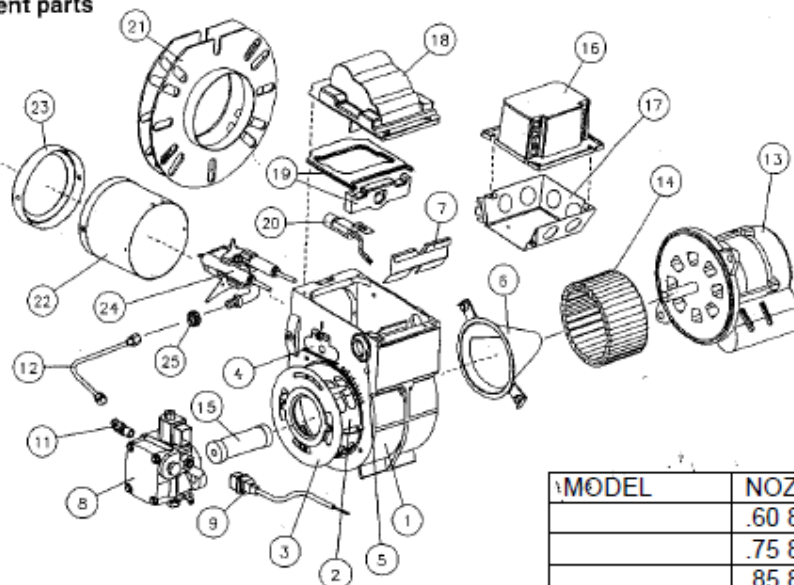
ITEM	PARTS DESCRIPTION	PART NO.	QTY.
31	GASKET, SIGHT GLASS	330098	1
32	COMBUSTIBLE FLOOR BASE	VC-BASE	1



ITEM	PARTS DESCRIPTION	PART NO.	QTY.
1	END, WARM AIR	628180-2	1
2	BLOWER PAN	18156	1
3	HEAT EXCHANGER	37941	1
4A	WIRE HARNESS, MAIN	350265	1
4B	WIRE HARNESS, BLOWER	350266	1
5	BAFFLE, SIDE CASING	18161	2
6	AUX LIMIT SWITCH	350263	1
8A	LIMIT SWITCH	350264	1
8B	LIMIT COVER	19146	1
8C	LIMIT SHIELD	19144	1
9	CASING, BACK	628165-2	1
10	SIDE CASING, RIGHT BOTTOM	628160-2	1
11	SIDE CASING, LEFT TOP	628159-2	1
12	END, RETURN AIR	618180-2	1
13	BLOWER SUB-ASSEMBLY	S00S4206	1
13A	DIRECT DRIVE BLOWER	S00S4143	1
13B	MOTOR w/ CAPACITOR	AOPS7652	1
13C	CAPACITOR	350073	1
13D	OIL FURNACE CONTROL	AOPS8380	1
13E	TRANSFORMER	350464	1
13F	MOTOR BRACKET ASSY	AOPS7670	1
14	PANEL, CLEAN-OUT	617944-1	1
15	GASKET, FLUE	330005	1
16	DRAW COLLAR	14131	1
17	BURNER, BECKETT	(AF) 380664 (NX) 380783	1
18	SIGHT GLASS BRACKET	18185	1
19			
20	PANEL, FRONT	619136-9	1
21			
22	CLEAN-OUT COVER ASSY W/GASKET	AOPS7684	1
23	GASKET, 4" CLEAN-OUT COVER	330009	1
24	DOOR, BLOWER ACCESS	618166-2	1
25	DOOR HANDLE PACKAGE	AOPS7578	1
27	DRAFT CONTROL	370190	1
28	GASKET, BURNER MOUNTING PLATE	330180	1
29	BURNER MOUNTING PLATE	27802	1
30	PYREX SIGHT GLASS	330081	1

EL 101 AF BURNER PART# 380664

Replacement parts



MODEL	NOZZLE SIZE	PART #
	.60 80° A	380398
	.75 80° A ¹	380366
	.85 80° A	380381
	1.0 80° A	380368

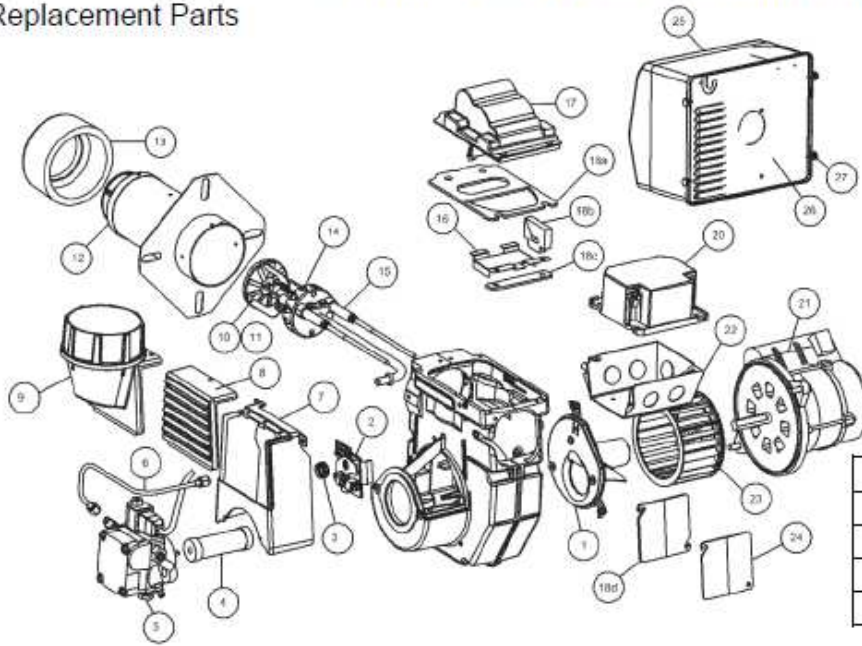
ITEM	DESCRIPTION	BECKETT PART #	TP PART #
1	BURNER HOUSING ASSY.	5624MR	380246
2	AIR BAND ASSY. 8 slot set @ 0	5151501	
3	AIR SHUTTER set @ 7	3494	
4	ESCUTCHEON PLATE	3493	
	SCREW		
5	HOLE PLUG		
6	AIR GUIDE	31841	
7	LOW FIRING RATE BAFFLE	5880	
8	*PUMP 130 PSI	21844	380674
	*SOLENOID	21755	380654
9	VALVE CORD SET	21807	380653
11	PUMP ELBOW	2256	320815
12	CONNECTION TUBE	5394	380268
13	*MOTOR 1/7 HP 3450 RPM	21805E	380644
14	BLOWER WHEEL 4 1/4 X 3 7/16 TAB	2459	380239
15	*COUPLING	2454	380241
16	*PRIMARY CONTROL R7184B	7456	350431
17	ELECTRICAL BOX	3741	
18	*IGNITER W/ GASKETS	51771U	380645
19	IGNITER GASKET KIT		
20	*CAD CELL w/ Socket C554A1919	7006Q	350104
21	FLANGE	3634BK	380265
	GASKET	3616	380270
22	AIR TUBE COMBINATION	AF57XNSS	380690
	BLAST TUBE ONLY		
23	HEAD F3	360003	380260
24	ELECTRODE NOZZLE ASSY		
	*ELECTRODES PAIR	5780	380269
	STATIC PLATE, 2 1/4 U	3383	380330
25	SPLINED NUT(BULKHEAD NUT)	3666	320121
	BULK HEAD FITTING	3488	320120

¹ NOZZLE SHIPPED INSTALLED IN BURNER

8/11/14

EL301 BECKETT NX BURNER PART# 380783

Replacement Parts



Model	Nozzle Size	Part #
	.40 X 70° A	380748
	.50 X 70° A	380749
	.60 X 70° A	380750

ITEM	DESCRIPTION	BECKETT PART #	TP PART #
1	AIR GUIDE	101101U	380747
2	HEAD/AIR ADJ. MECHANISM ASSEMBLY SET @ 3.5	52000U	380744
3	SPLINED NUT	3666	320121
4	COUPLING	2454	380241
5	CLEAN CUT FUEL PUMP - 175 PSI	2184404U	380674
	SOLENOID COIL	21755	380654
	VALVE CORD SET 18.5"	21808	380751
	VALVE STEM	21877U	380676
6	CONNECTOR TUBE 11"	51127	
7	INLET AIR BOX	1010U	
8	INLET AIR LOUVERS	1013U	
9	INLET AIR ADAPTER OUTSIDE AIR KIT	1014U	380740
10 & 11	RETENTION HEAD ASSEMBLY 9 - SLOT	51815U	380743
12	AIR TUBE COMBINATION 7.0° INSERTION DEPTH	58020235	
	FLANGE		
	GASKET	32389	380648
13	HEAT SHIELD	32246U	AOPS0524
14	NOZZLE LINE ELECTRODE AND HEAD (GUN) ASSY.	NLH70LB	
15	ELECTRODE INSULATOR KIT	51811U	380746
16	SPRING IGNITER PROP	32058U	
17	IGNITER, ELECTRONIC	51771U / 7440B	380645
18 A-D	GASKET IGNITER KIT	51942U	
19	LOW FIRE RATE BAFFLE	32229U	
20	PRIMARY CONTROL PRE -15S, NO POST PURGE	7505B1500	350431
	CAD CELL w/ Socket C554A1919	7006Q	350104
21	PSC MOTOR	21805U	380644
22	ELECTRICAL BOX	5770 / 3741	
23	BLOWER WHEEL 4 1/4 X 2 7/16 TAB	2999U	380271
24	DOOR, REAR ACCESS	32119U	
25	COVER, BURNER	51812U	
26	MOUNTING PLATE, BURNER COVER	32103U	
27	THUMB SCREWS, COVER MOUNTING	21899U	

12/6/11