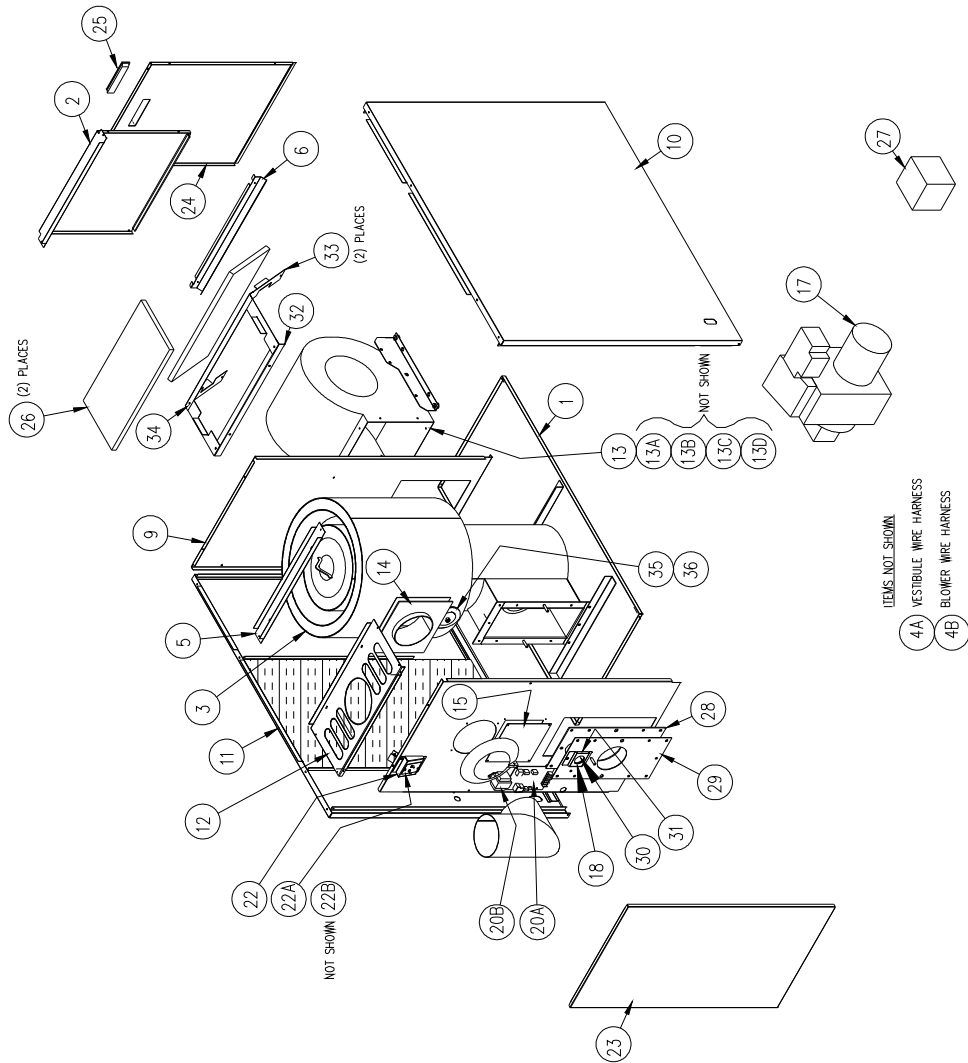


## APPENDIX D: REPLACEMENT PARTS Lowboy Front Flue Model

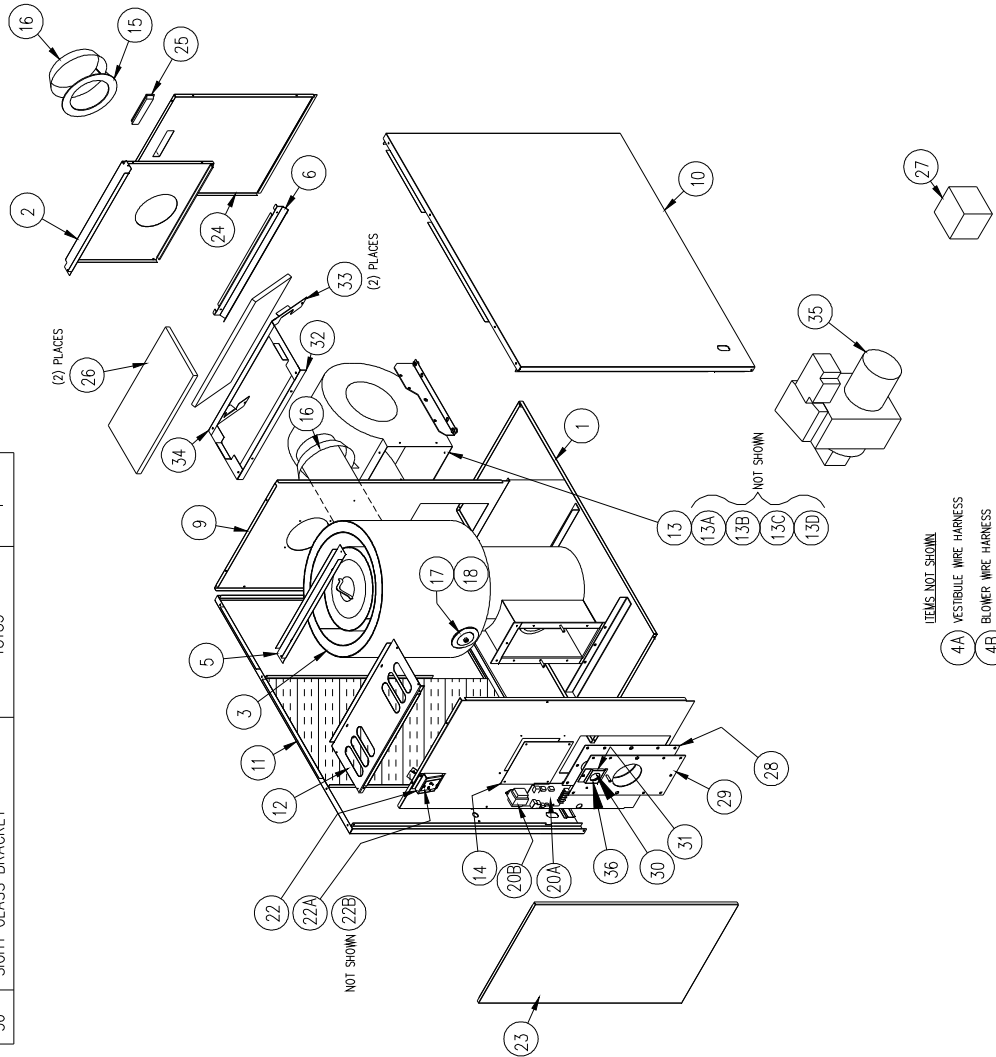
ITEM	PARTS DESCRIPTION	PART NO.	QTY.
32	FILTER RACK, TOP PIECE	18151	1
33	FILTER RACK, SIDE PIECE	18149	2
34	FILTER RACK, MIDDLE PIECE	18150	1
35	CLEAN-OUT COVER ASSY W/GASKET	AOPS7684	1
36	GASKET, 4" CLEAN-OUT COVER	330009	1

ITEM	PARTS DESCRIPTION	PART NO.	QTY.
1	BASE	28132	1
2	PANEL, REAR	617956-2	1
3	HEAT EXCHANGER	37940	1
4A	WIRE HARNESS, VESTIBULE	350267	1
4B	WIRE HARNESS, BLOWER	350269	1
5	PLENUM PIECE, TOP MIDDLE	618144-2	1
6	FILTER RACK, BOTTOM PIECE	18152	1
9	SEPARATOR PANEL, REAR	18154	1
10	SIDE CASING, RIGHT	628137-2	1
11	SIDE CASING, LEFT	628138-2	1
12	PANEL, TOP FRONT	617346-2	1
13	BLOWER SUB-ASSEMBLY	S00S4212	1
13A	BLOWER HOUSING w/ WHEEL	S00S4143	1
13B	MOTOR w/ CAPACITOR	AOPS7662	1
13C	CAPACITOR	350073	1
13D	MOTOR BRACKET ASSY	AOPS7670	1
13E	BLOWER WHEEL	340083	1
14	GASKET, FLUE BACKING PLATE	330008	1
15	PANEL, CLEAN-OUT	17951	1
16	DRAW COLLAR	14131	1
17	BURNER, BECKETT AFG EFL401	380832	1
18	SIGHT GLASS BRACKET	18185	1
19	ELBOW	35719	1
20	SEPARATOR PANEL	619142	1
20A	OIL FURNACE CONTROL	AOPS8380	1
20B	TRANSFORMER	350464	1
22	LIMIT BRACKET	29156	1
22A	LIMIT SWITCH	350103	1
22B	INSULATING BOOT	350036	1
23	DOOR, FRONT	617352-2	1
24	PANEL, BLOWER ACCESS	617954-2	1
25	DOOR HANDLE	320157	1
26	FILTER	370188	2
27	DRAFT CONTROL	370190	1
28	GASKET, BURNER MOUNTING PLATE	330180	1
29	BURNER MOUNTING PLATE	27801	1
30	PYREX SIGHT GLASS	330081	1
31	GASKET, SIGHT GLASS	330098	1



# Lowboy Rear Flue Model

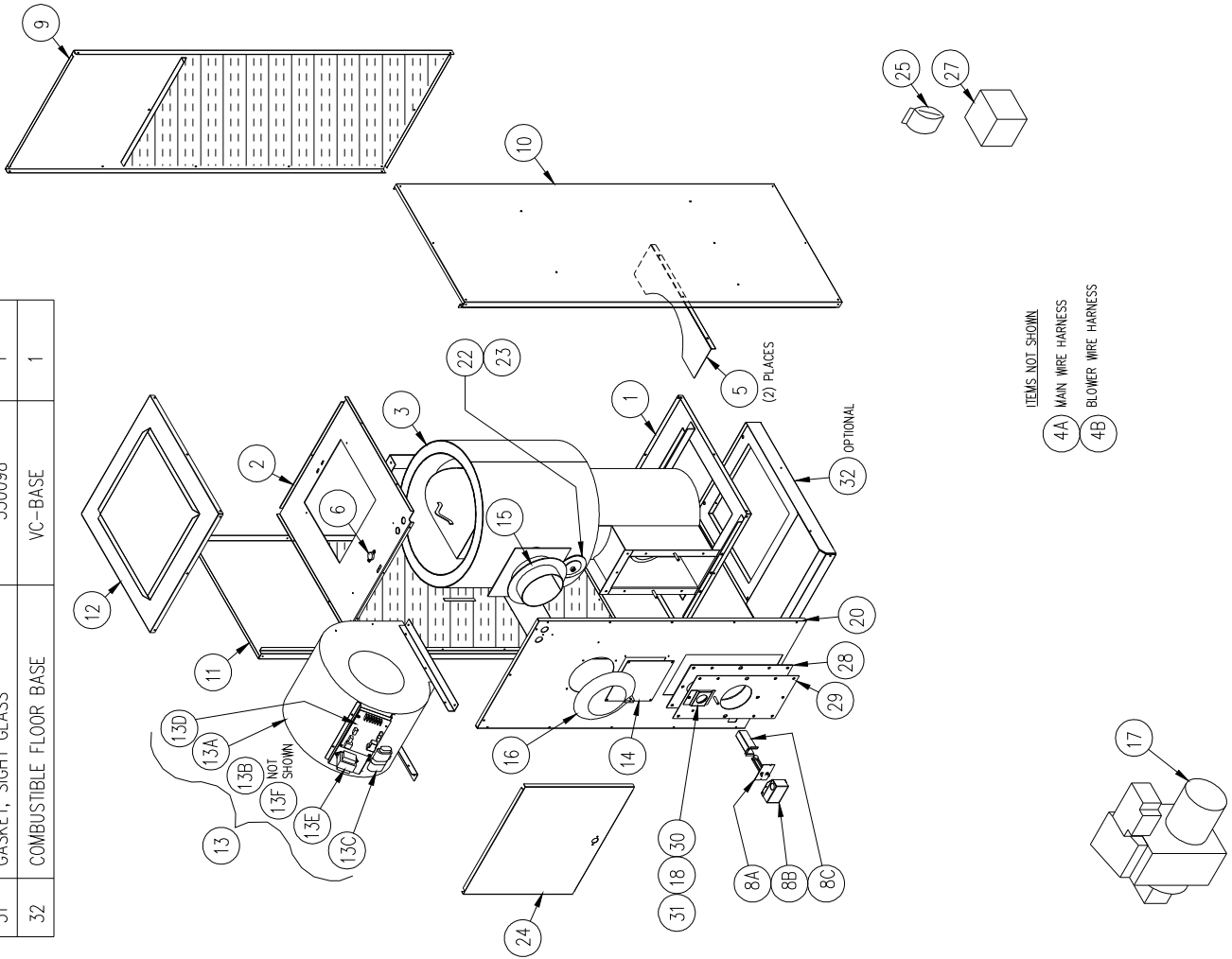
ITEM	PARTS DESCRIPTION	PART NO.	QTY.
32	FILTER RACK, TOP PIECE	18151	1
33	FILTER RACK, SIDE PIECE	18149	2
34	FILTER RACK, MIDDLE PIECE	18150	1
35	BURNER, BECKETT AFG-EFL401	380832	1
36	SIGHT GLASS BRACKET	18185	1



ITEM	PARTS DESCRIPTION	PART NO.	QTY.
1	BASE	28132	1
2	PANEL, REAR	617955-2	1
3	HEAT EXCHANGER	38135	1
4A	WIRE HARNESS, VESTIBULE	350267	1
4B	WIRE HARNESS, BLOWER	350269	1
5	PLENUM PIECE, TOP MIDDLE	618144-2	1
6	FILTER RACK, BOTTOM PIECE	18152	1
9	SEPARATOR PANEL, REAR	18143	1
10	SIDE CASING, RIGHT	628137-2	1
11	SIDE CASING, LEFT	628138-2	1
12	PANEL, TOP FRONT	617383-2	1
13	BLOWER SUB-ASSEMBLY	S00S4212	1
13A	BLOWER HOUSING w/ WHEEL	S00S4143	1
13B	MOTOR w/ CAPACITOR	AOPS7652	1
13C	CAPACITOR	350073	1
13D	MOTOR BRACKET ASSY	AOPS7670	1
13E	BLOWER WHEEL	340083	1
14	PANEL, CLEAN-OUT ACCESS	17951	1
15	GASKET, FLUE COLLAR	330005	1
16	DRAW COLLAR	14131	2
17	CLEAN-OUT COVER ASSY w/GASKET	AOPS7684	1
18	GASKET, 4" CLEAN-OUT COVER	330009	1
19			
20	SEPARATOR PANEL	619143	1
20A	OIL FURNACE CONTROL	AOPS8380	1
20B	TRANSFORMER	350464	1
22	LIMIT BRACKET	19156	1
22A	LIMIT SWITCH	19154	1
22B	INSULATING BOOT	350036	1
23	DOOR, FRONT	617352-2	1
24	PANEL, BLOWER ACCESS	617954-2	1
25	DOOR HANDLE	320157	1
26	FILTER	370188	2
27	DRAFT CONTROL	370190	1
28	GASKET, BURNER MOUNTING PLATE	330180	1
29	BURNER MOUNTING PLATE	27801	1
30	PYREX SIGHT GLASS	330081	1
31	GASKET, SIGHT GLASS	330098	1

# Horizontal/Counterflow Model

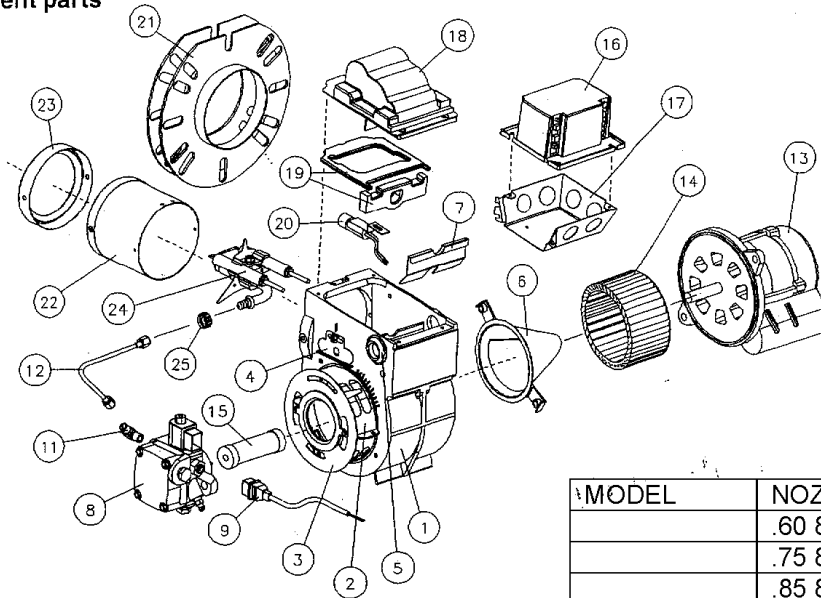
ITEM	PARTS DESCRIPTION	PART NO.	QTY.
31	CASKET, SIGHT GLASS	330098	1
32	COMBUSTIBLE FLOOR BASE	VC-BASE	1



ITEM	PARTS DESCRIPTION	PART NO.	QTY.
1	END, WARM AIR	628180-2	1
2	BLOWER PAN	18156	1
3	HEAT EXCHANGER	37941	1
4A	WIRE HARNESS, MAIN	350265	1
4B	WIRE HARNESS, BLOWER	350266	1
5	BAFFLE, SIDE CASING	18161	2
6	AUX LIMIT SWITCH	350263	1
8A	LIMIT SWITCH	350264	1
8B	LIMIT COVER	19146	1
8C	LIMIT SHIELD	19144	1
9	CASING, BACK	628165-2	1
10	SIDE CASING, RIGHT BOTTOM	628160-2	1
11	SIDE CASING, LEFT TOP	628159-2	1
12	END, RETURN AIR	618180-2	1
13	BLOWER SUB-ASSEMBLY	S00S4206	1
13A	BLOWER HOUSING w\ WHEEL	S00S4143	1
13B	MOTOR w\ CAPACITOR	A0PS7652	1
13C	CAPACITOR	350073	1
13D	OIL FURNACE CONTROL	A0PS8380	1
13E	TRANSFORMER	350464	1
13F	MOTOR BRACKET ASSY	A0PS7670	1
13G	BLOWER WHEEL	340083	1
14	PANEL, CLEAN-OUT	617944-1	1
15	CASKET, FLUE	330005	1
16	DRAW COLLAR	14131	1
17	BURNER, BECKETT AFG EFL401	380832	1
18	SIGHT GLASS BRACKET	18185	1
19	PANEL, FRONT	619136-9	1
22	CLEAN-OUT COVER ASSY W/GASKET	A0PS7684	1
23	GASKET, 4" CLEAN-OUT COVER	330009	1
24	DOOR, BLOWER ACCESS	618166-2	1
25	DOOR HANDLE PACKAGE	A0PS7578	1
27	DRAFT CONTROL	370190	1
28	GASKET, BURNER MOUNTING PLATE	330180	1
29	BURNER MOUNTING PLATE	27802	1
30	PYREX SIGHT GLASS	330081	1

## EFL 401 AFG BURNER PART# 380832

### Replacement parts



MODEL	NOZZLE SIZE	PART #
	.60 80° A	380398
	.75 80° A <sup>1</sup>	380366
	.85 80° A	380381
	1.0 80° A	380368

ITEM	DESCRIPTION	BECKETT PART #	TP PART #
1	BURNER HOUSING ASSY.	5874GY	
2	AIR BAND ASSY. 8 slot set @ 0	5151501	
3	AIR SHUTTER set @ 7	3492A	
4	ESCUTCHEON PLATE	3493	
	SCREW		
5	HOLE PLUG		
6	AIR GUIDE	31231U	
7	LOW FIRING RATE BAFFLE	5880	
8	*PUMP 130 PSI	21844	380674
	*SOLENOID	21755	380654
9	VALVE CORD SET	21807	380653
11	PUMP ELBOW	2256	320815
12	CONNECTION TUBE	5394	380107
13	*MOTOR 1/7 HP 3450 RPM	21805E	380644
14	BLOWER WHEEL 4 1/4 X 2 7/16 TAB	2999	380271
15	*COUPLING	2454	380241
16	*PRIMARY CONTROL R7184B	7456	350431
17	ELECTRICAL BOX	3741	
18	*IGNITER W/ GASKETS	51771U	380645
19	IGNITER GASKET KIT		
20	*CAD CELL w/ Socket C554A1919	7006Q	350104
21	FLANGE	3634BK	380265
	GASKET	3616	380270
22	AIR TUBE COMBINATION	AF57XNSS	380690
	BLAST TUBE ONLY		
23	HEAD F3	360003	380260
24	ELECTRODE NOZZLE ASSY		
	*ELECTRODES PAIR	5780	380269
	STATIC PLATE, 2 3/4 U	3383	380330
25	SPLINED NUT(BULKHEAD NUT)	3666	320121
	BULK HEAD FITTING	3488	320120

<sup>1</sup> NOZZLE SHIPPED INSTALLED IN BURNER