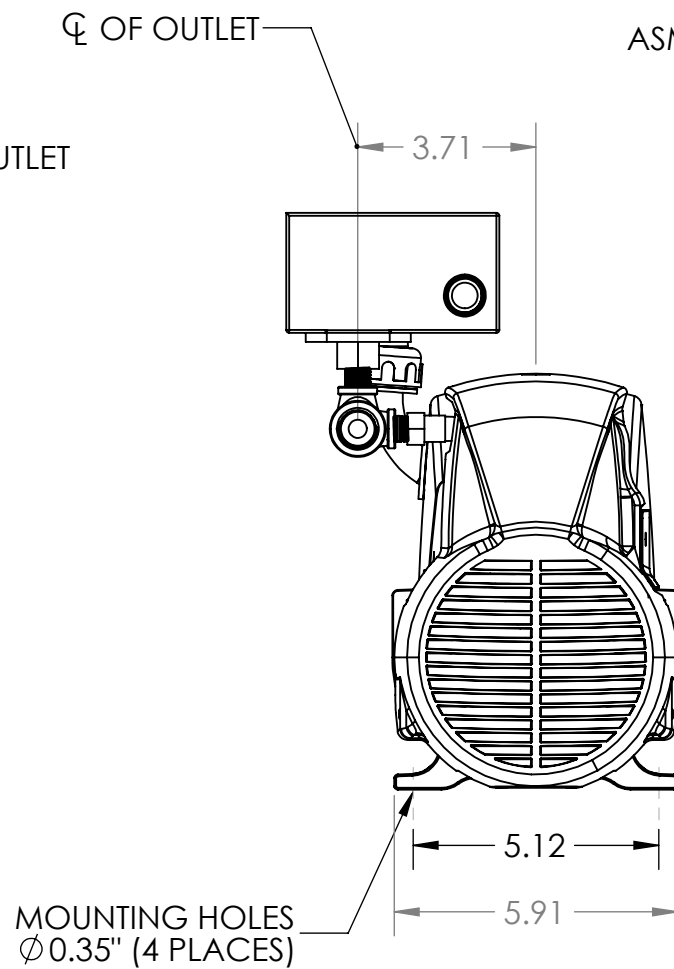
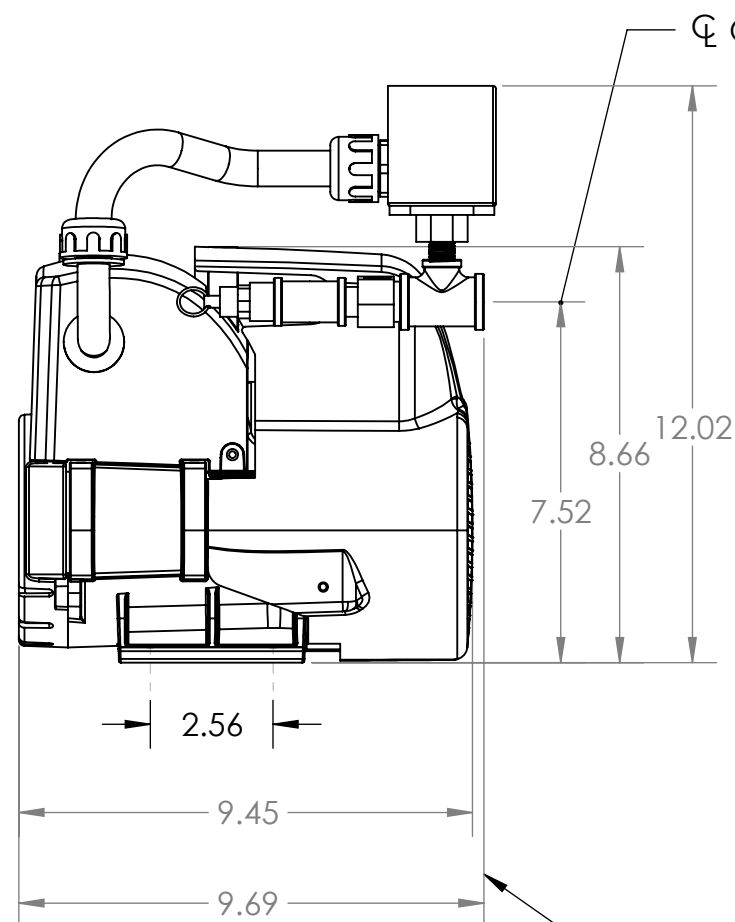
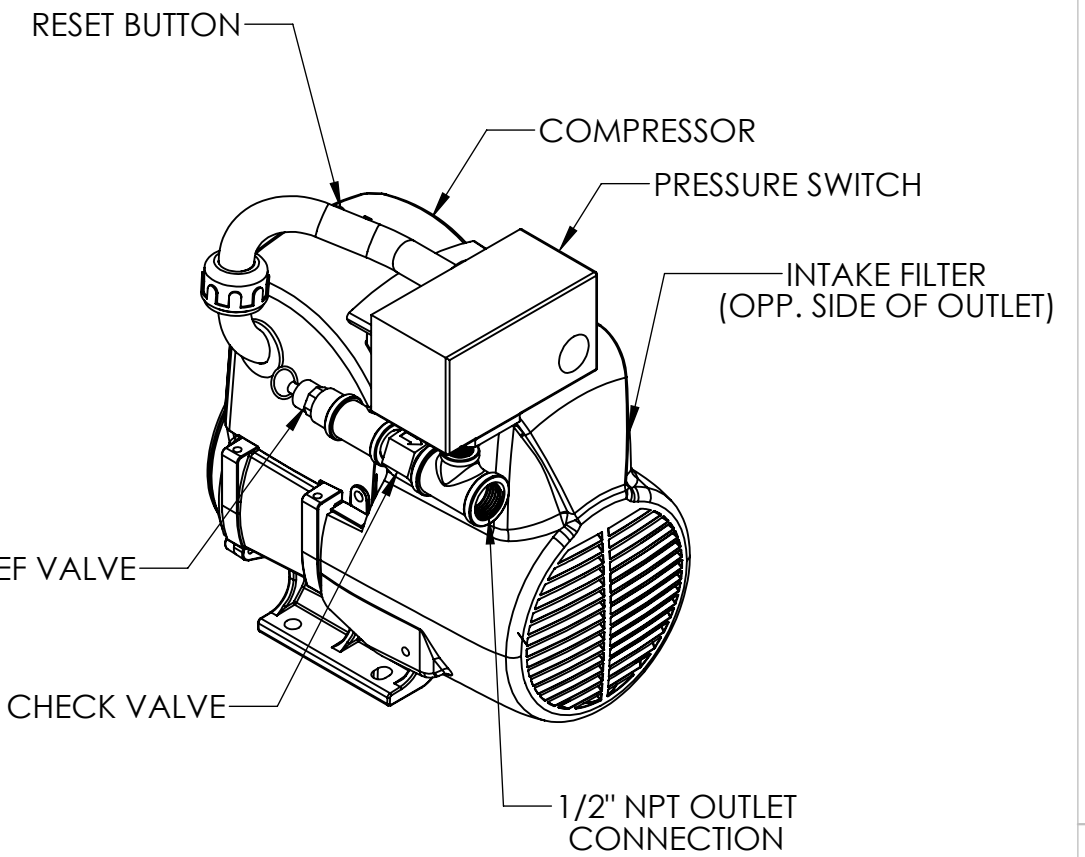
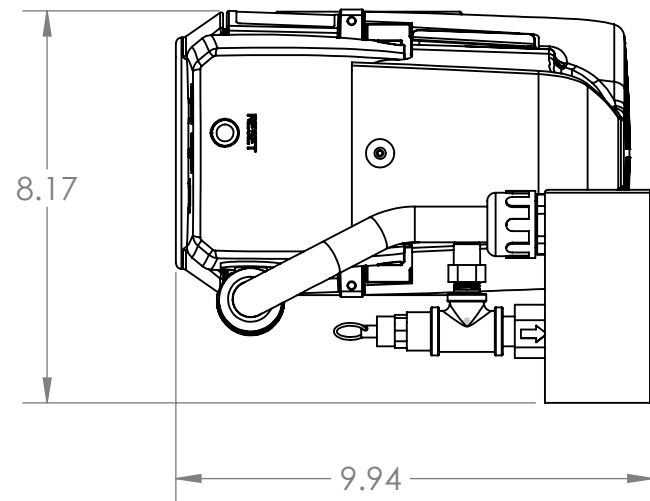


REVISIONS				
ZONE	REV	DESCRIPTION	DATE	APPROVED
0		RELEASE OF DRAWING	1-6-15	
1		ADDED LP AND HP MODELS	9-30-15	
2		REVISE & REDRAW TO CURRENT ASSEMBLY	10-30-15	



MODEL	VOLTAGE	PRESSURE SWITCH SETTING		NET WEIGHT
		ON	OFF	
QL13525AC	115V/1PH/ 60HZ	27-30 PSIG	40-44 PSIG	20LBS
QL28025AC-LP		13 PSIG	18 PSIG	
QL13525AC-HP		80 PSIG	100 PSIG	

FACE OF OUTLET

UNLESS OTHERWISE SPECIFIED DIMENSIONS ARE IN INCHES TOLERANCES ARE:

FRACTIONS DECIMALS ANGLES
 $\pm x$.xx ± 1.00 $\pm x$

THIS DRAWING AND ALL OF ITS CONTENTS ARE THE SOLE PROPERTY OF GENERAL AIR PRODUCTS, INC. DETAILS MAY CHANGE WITHOUT NOTICE. THE CONTENTS OF THIS DRAWING, MAY NOT BE REPRODUCED OR INCORPORATED IN WHOLE OR IN PART IN ANY EQUIPMENT, NOR THE MANUFACTURE OF ANY PARTS, WITHOUT WRITTEN CONSENT OF GENERAL AIR PRODUCTS, INCORPORATED.

APPROVALS		DATE	TITLE:		