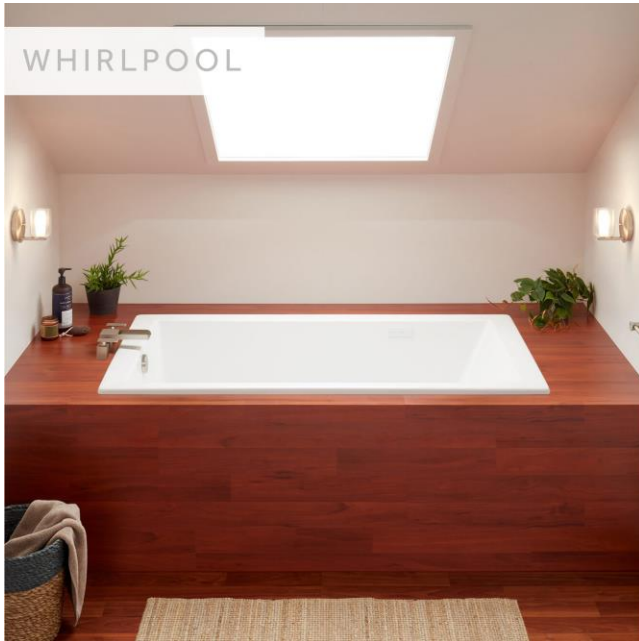


# 66" X 36" SITKA ACRYLIC DROP-IN WHIRLPOOL TUB - WHITE

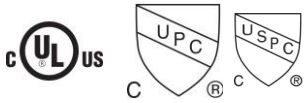
SKU: 447031  
Code: SHSKW6636



## FEATURES

Tub Material: Acrylic  
Product Finish: White  
Shape: Rectangle  
Tub Drain Placement: End  
Drain Included: No  
Water Depth to Overflow: 18"  
Water Capacity (Gallons): 68  
Built-In Adjusters: No  
Tub Weight Uncrated (lbs): 109

ASME A112.19.7/CSA B45.10, CSA B45.5/IAPMO Z124, CSA C22.2 No. 218.2, Massachusetts Accepted, UL 1795, LISTED ID: MIRSKX6636XX



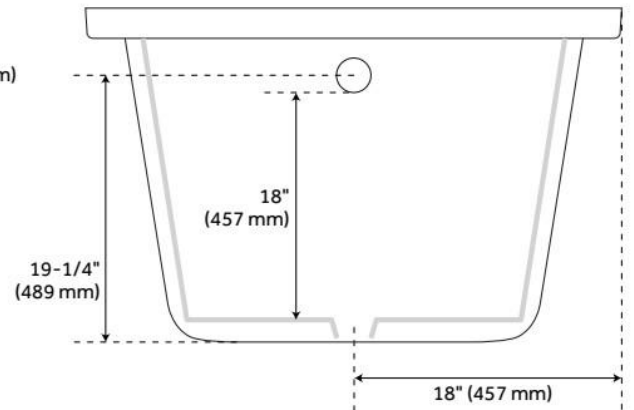
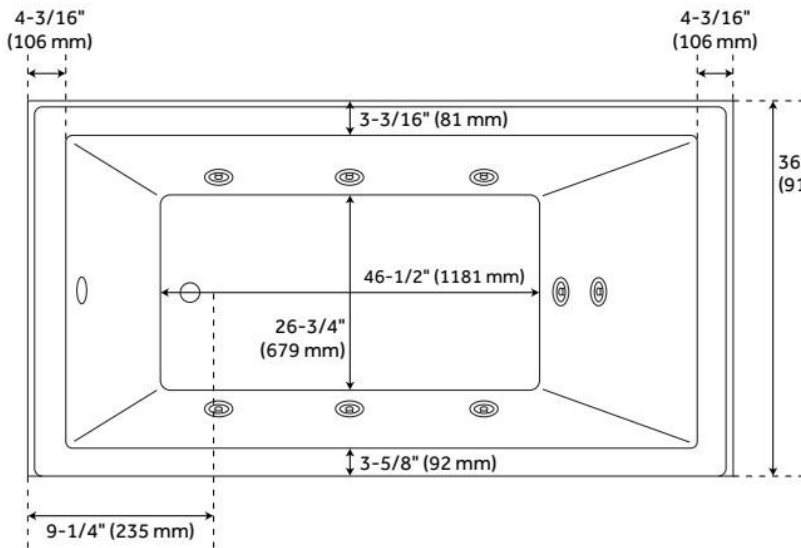
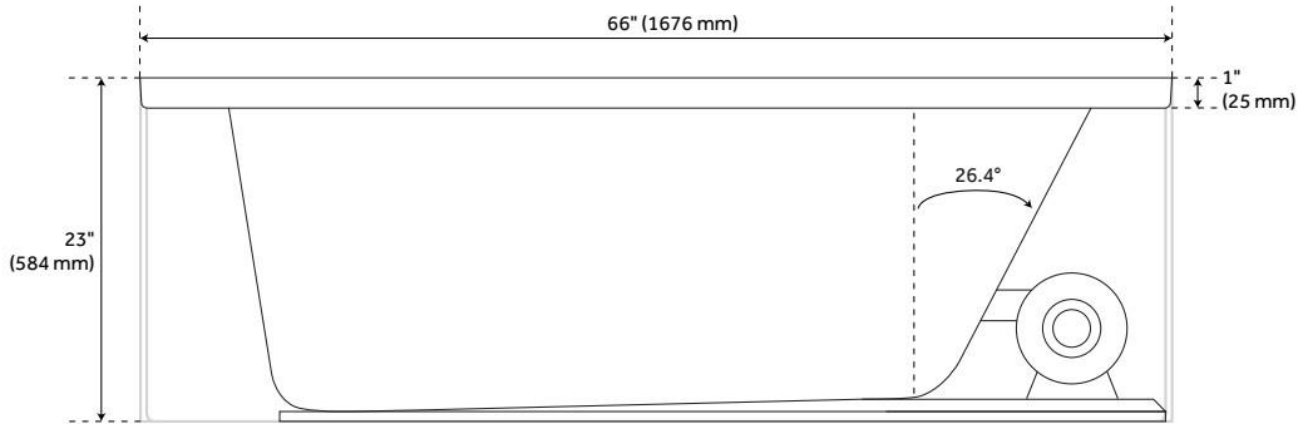
## ADDITIONAL FEATURES

- All dimensions ( $\pm 1/2$ ").
- Can be installed for undermount applications.
- 68-gallon (257.4-Liters) operating capacity.
- Textured slip-resistant bottom.
- Pre-leveled base.
- A dual-mount design, this can be installed as a drop-in or undermount tub.
- 8 Strategically placed air jets move water with increased pressure for an invigorating bathing experience.
- Whirlpool system uses a powerful 1.75hp, 9 amp whirlpool pump.
- Safety Suction: Meets all requirements of durability and clog-resistance through standard testing.
- Pre-wired for simple plug-in installation.
- Optional Quick Connect Drop-In Drain Kit Includes:
  - Floor Plate, 1-1/2" PVC Pipe, 2" x 1-1/2" Trap Adapters, 1 Brass Threaded, 1 Brass Unthreaded Tailpiece and Plug.

REVISED 6/26/2024

# 66" X 36" SITKA ACRYLIC DROP-IN WHIRLPOOL TUB - WHITE

SKU: 447031  
Code: SHSKW6636



REVISED 6/26/2024

# 66" X 36" SITKA ACRYLIC DROP-IN WHIRLPOOL TUB - WHITE

SKU: 447031  
Code: SHSKW6636

## COMPONENTS LIST

- Powerful whirlpool pump with variable flow device

## INSTALLATION

- Whirlpool unit requires dedicated 20 Amp, 120V service
- You must provide a receptacle with a 20 Amp configuration
- Electrical outlet must be mounted 4" (101mm) above the floor line and 12" max (305mm) inside from the edge of the bathtub, or in accordance with local building and electrical codes

## INTEGRATED CONTROL PANEL

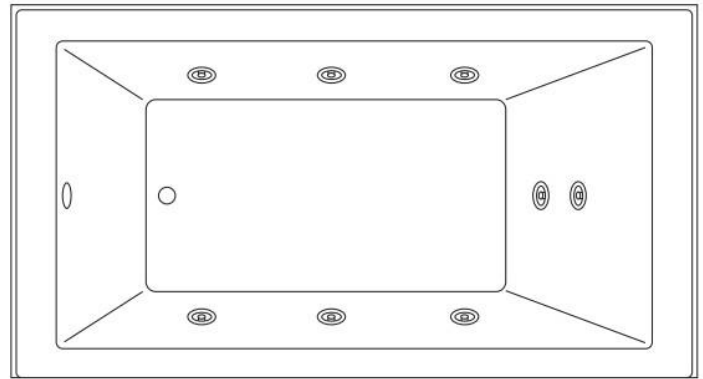
- Whirlpool Baths: Equipped with on/off switch actuator. Each depression of the switch will activate the pump

## INSIDE OF BATH

- (8) HIGH-FLOW DIRECTIONAL AND VOLUME-ADJUSTABLE WHIRLPOOL JETS

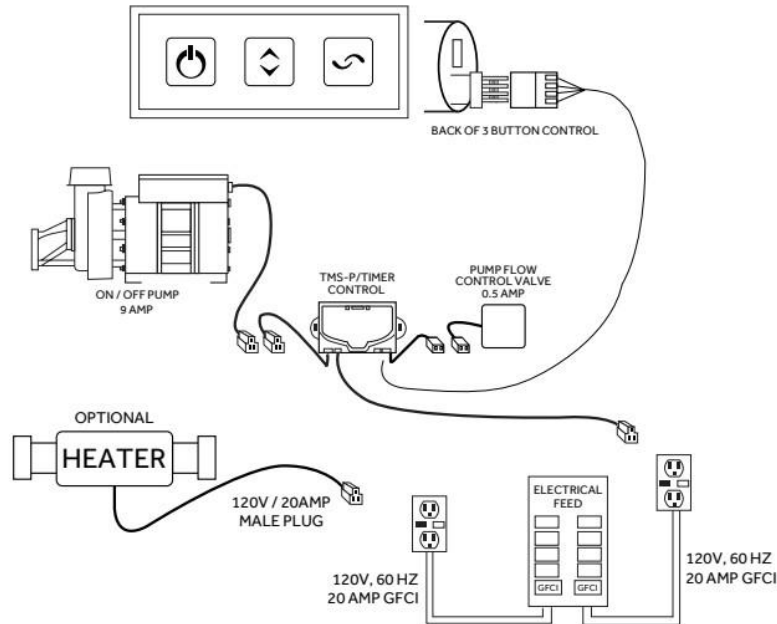


WHIRLPOOL JET



## ELECTRICAL CONFIGURATIONS

### WHIRLPOOL CIRCUIT WITH OPTIONAL HEATER



All dimensions and specifications are nominal and may vary. Use actual products for accuracy in critical situations.

REVISED 6/26/2024