

# 60" X 32" SITKA ACRYLIC ALCOVE WHIRLPOOL TUB - WHITE

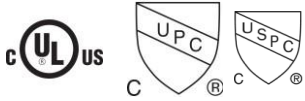
SKU: 948273-WP  
Code: SHSKW6032



## FEATURES

Tub Material: Acrylic  
Product Finish: White  
Shape: Rectangle  
Tub Drain Placement: End  
Drain Included: No  
Water Depth to Overflow: 14-1/2"  
Water Capacity (Gallons): 62  
Built-In Adjusters: No  
Tub Weight Uncrated (lbs): 105

ASME A112.19.7/CSA B45.10, CSA B45.5/IAPMO Z124, CSA C22.2 No. 218.2, Massachusetts Accepted, UL 1795, LISTED ID: MIRSKX6032XXX



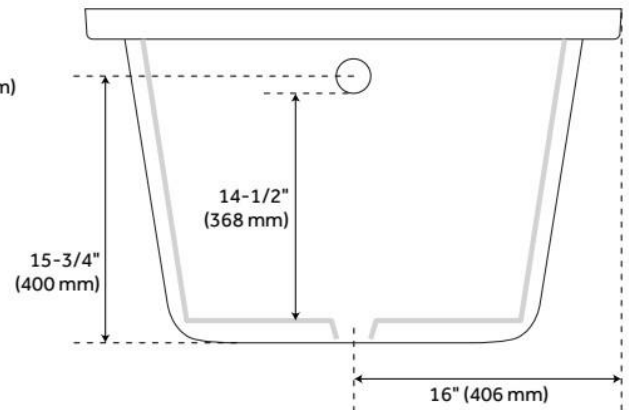
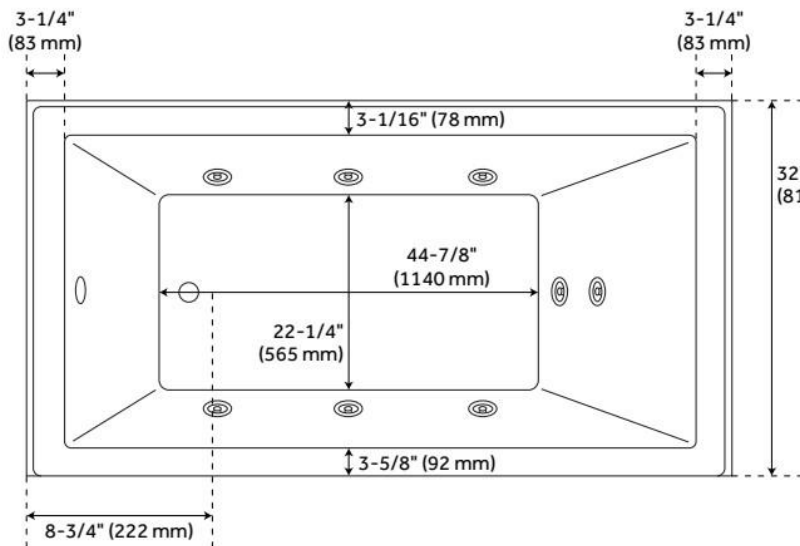
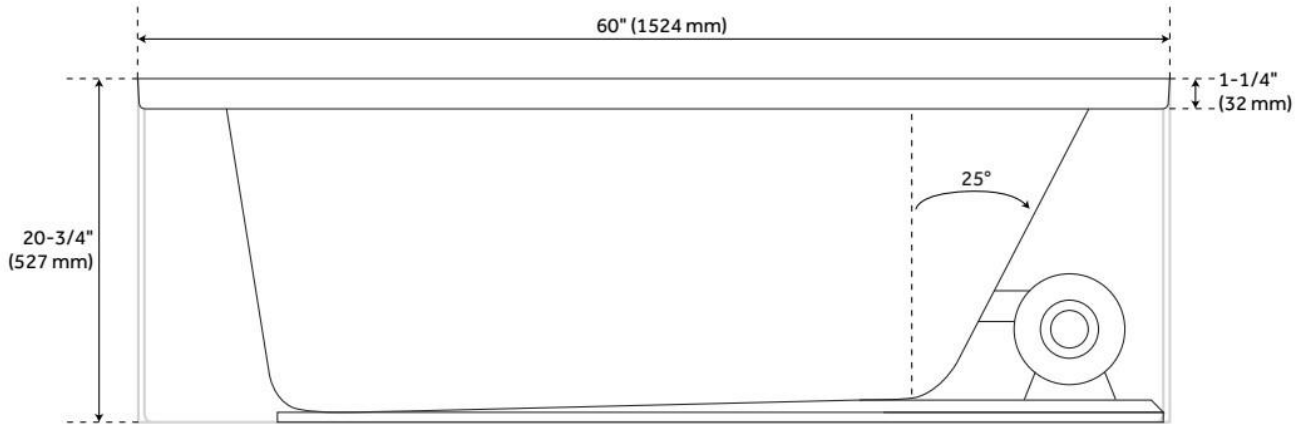
## ADDITIONAL FEATURES

- All dimensions ( $\pm 1/2$ ").
- Textured slip-resistant bottom.
- Pre-leveled base.
- 53-gallon (200.6-Liters) operating capacity.
- Intuitive electronic control pad.
- 8 Strategically placed air jets move water with increased pressure for an invigorating bathing experience.
- Whirlpool system uses a powerful 1.75hp, 10.9 amp whirlpool pump.
- Integral tile flange and skirt.
- Safety Suction: Meets all requirements of durability and clog-resistance through standard testing.

REVISED 6/18/2024

# 60" X 32" SITKA ACRYLIC ALCOVE WHIRLPOOL TUB - WHITE

SKU: 948273-WP  
Code: SHSKW6032



REVISED 6/18/2024

# 60" X 32" SITKA ACRYLIC ALCOVE WHIRLPOOL TUB - WHITE

SKU: 948273-WP  
Code: SHSKW6032

## COMPONENTS LIST

- Powerful whirlpool pump with variable flow device

## INSTALLATION

- Whirlpool unit requires dedicated 20 Amp, 120V service
- You must provide a receptacle with a 20 Amp configuration
- Electrical outlet must be mounted 4" (101mm) above the floor line and 12" max (305mm) inside from the edge of the bathtub, or in accordance with local building and electrical codes

## INTEGRATED CONTROL PANEL

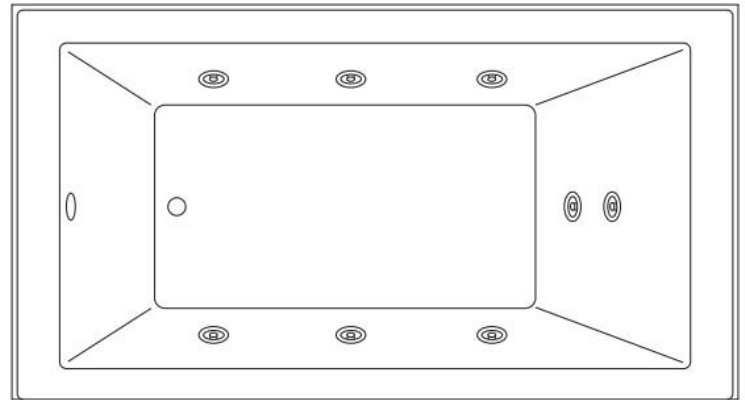
- Whirlpool Baths: Equipped with on/off switch actuator. Each depression of the switch will activate the pump

## INSIDE OF BATH

- (8) HIGH-FLOW DIRECTIONAL AND VOLUME-ADJUSTABLE WHIRLPOOL JETS

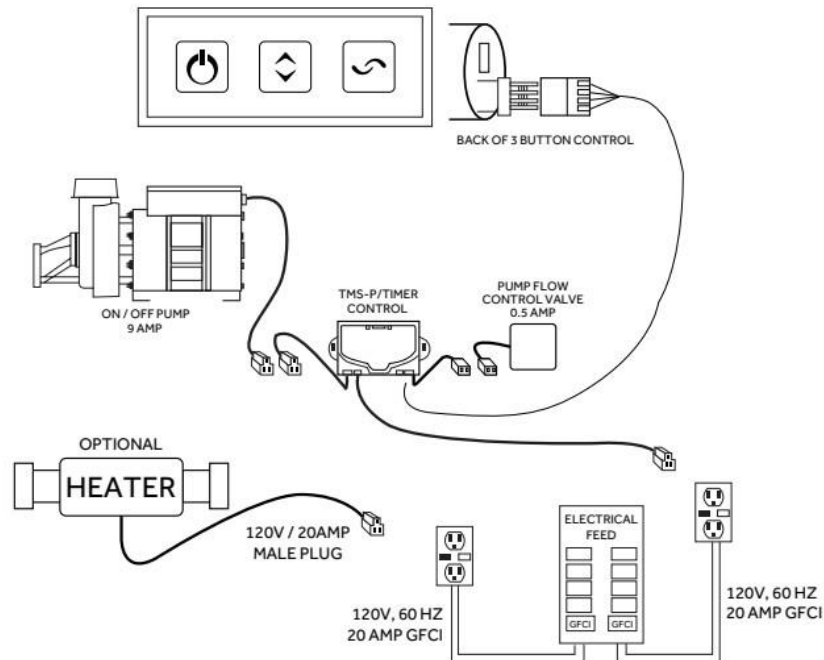


WHIRLPOOL JET



## ELECTRICAL CONFIGURATIONS

### WHIRLPOOL CIRCUIT WITH OPTIONAL HEATER



REVISED 6/18/2024