



Dexter™ | K-5452-ET

Washout half-stall 0.125 gpf urinal, top spud

Features

- Washout urinal
- 3/4" (19 mm) top spud
- 1 pint or 0.125 gpf (0.47 lpf)
- Includes inlet and outlet spuds and hangers
- Includes anti-backsplash wall
- 14-3/4" (375 mm) extended lip



Sustainability



Available Colors/Finishes

Color tiles intended for reference only.

- 0 White
- 96 Biscuit
- 7 Black Black



1-800-4KOHLER (1-800-456-4537)
Kohler Co. reserves the right to make revisions without notice to product specifications.
For the most current specification sheet, go to www.kohler.com USA or www.kohler.ca Canada.
4-22-2026 11:8 - US-CA

THE BOLD LOOK
OF **KOHLER**

Codes/Standards

ADA compliant when installed to the specific requirements of these regulations.

This product should be used with a WaterSense labeled counterpart with the same rated flush volume to ensure the complete system meets the requirements of this specification for water efficiency and performance.



ADA

ASME A112.19.2/CSA B45.1
DOE - Energy Policy Act 1992
EPA WaterSense®
California Energy Commission (CEC)
ADA
ICC/ANSI A117.1

Technical Information

All product dimensions are nominal.

Spud size: Inlet, Top
Trapway Type: Exposed
Flush Rate: 0.125 gpf (0.5 lpf)

Designed for the above water use when installed with a water-saving flushometer.

Material

- Vitreous china

Recommended Products/Accessories

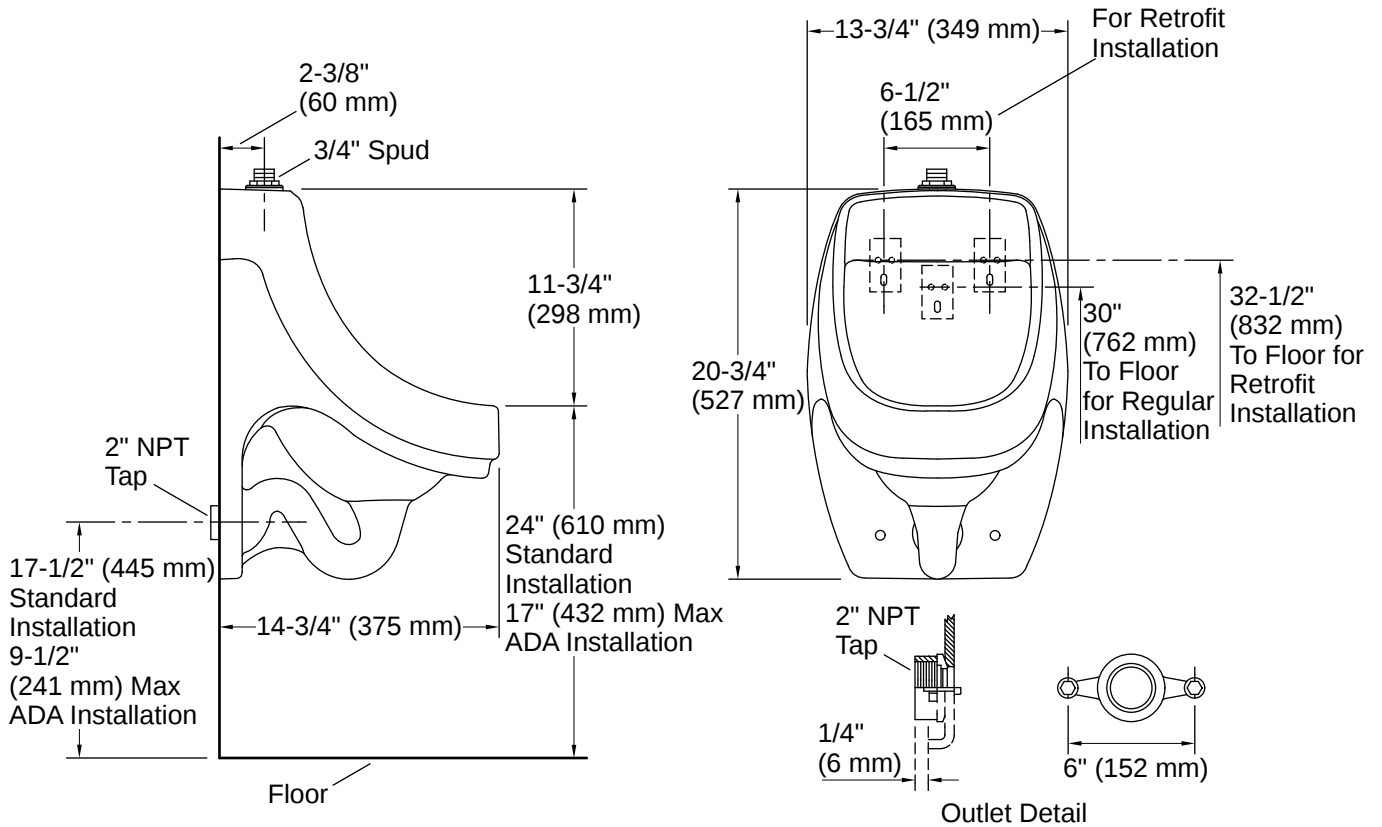
K-23726 Drain treatment
K-23725 Cast iron cleaner
K-76317 Urinal flushometer, 0.125 gpf

Warranty

See website for detailed warranty information.

KOHLER® One-Year Limited Warranty





Installation Notes

Install this product according to the installation instructions.

Product dimensions are nominal and may vary per ASME A112.19.2 tolerances.

This product should be used with a WaterSense labeled counterpart with the same rated flush volume to ensure the complete system meets the requirements of this specification for water efficiency and performance.

ADA compliant when installed to the specific requirements of these regulations.

