

### Features

- Washout urinal.
- 3/4" top spud.
- 1-pint or 0.125 gpf ( 0.47 lpf).
- Includes inlet and outlet spuds and hangers.
- Includes anti-backsplash wall.
- 14-3/4" (375 mm) extended rim.

### Material

- Vitreous china.

### Water Conservation & Rebates

- WaterSense® compliant when used with WaterSense flushometer.

### Components

Additional included component/s: 3/4" Inlet Spud, 2" Outlet Spud, and Hanger (1 required).



ADA

### Codes/Standards





ASME A112.19.2/CSA B45.1  
DOE - Energy Policy Act 1992  
EPA WaterSense®  
ADA  
ICC/ANSI A117.1

### KOHLER® One-Year Limited Warranty

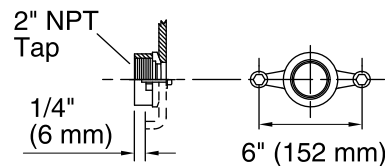
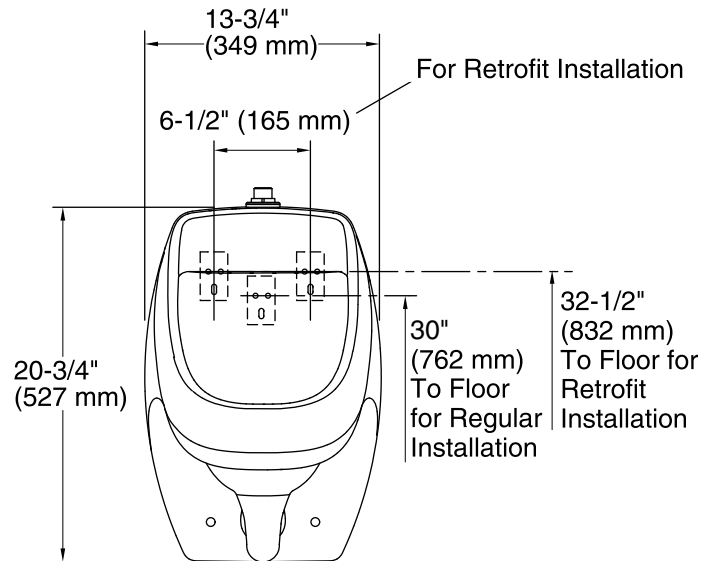
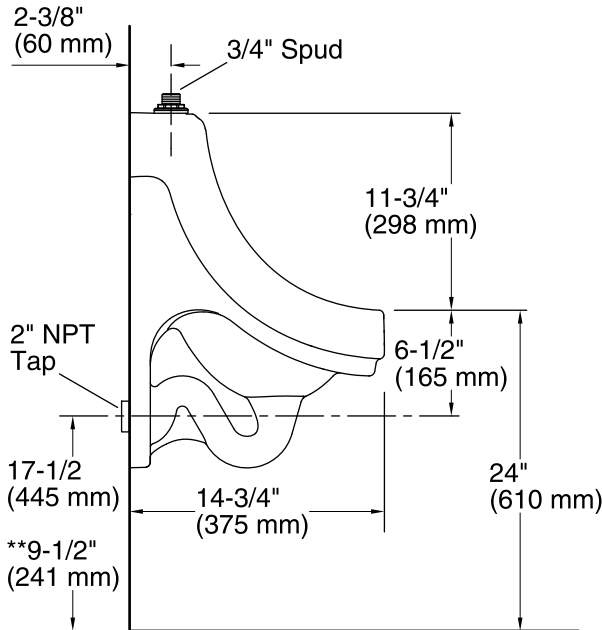
See website for detailed warranty information.

### Available Color/Finishes

*Color tiles intended for reference only.*

Color	Code	Description
	0	White
	96	Biscuit
	47	Almond
	7	Black Black™

\* Urinal complies with ADA  
\*\*Recommended outlet height for ADA compliance.



**Spud Detail**

### Technical Information

All product dimensions are nominal.

Flush outlet technology: Washout

Spud size: 3/4", Inlet, Top

Min. Water per Flush: 0.125 gal (0.5 L)

Max. Water per Flush: 0.125 gal (0.5 L)

Designed for the above water use when installed with a water-saving flushometer.

### Pressure and Supply Requirements

Fixture pressure min 25 psi (172.4 kPa)  
(static):

Fixture pressure max 80 psi (551.6 kPa)  
(static):

### Notes

Designed only for use with a 0.125 gpf (0.5 lpf) flushometer.

Install this product according to the installation instructions.

ADA compliant when installed to the specific requirements of these regulations.