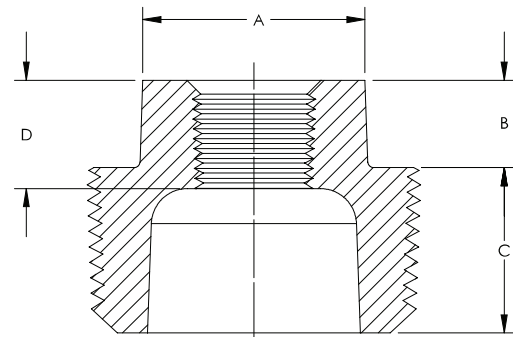
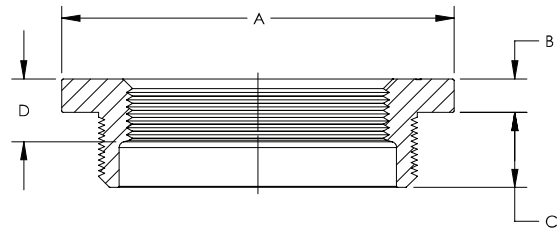


CAST IRON HEXAGON BUSHINGS CLASS 125

NPS	Width of Head A	Height of Head B	Length of External Threads C (min)	Length of Internal Threads D (min)	Inside or Outside Head
1 1/4 x 3/4	1.76	0.28	0.80	0.50	Outside
1 1/4 x 1/2	1.34	0.34	0.80	0.43	Inside
1 1/4 x 3/8	1.12	0.34	0.80	0.36	Inside
1 1/4 x 1/4	1.12	0.34	0.80	0.32	Inside
*1 1/4 x 1/8	1.12	0.34	0.80	0.32	Inside
1 1/2 x 1	2.00	0.31	0.83	0.58	Outside
1 1/2 x 3/4	1.63	0.37	0.83	0.50	Inside
1 1/2 x 1/2	1.34	0.37	0.83	0.43	Inside
1 1/2 x 3/8	—	—	—	—	Inside
1 1/2 x 1/4	1.12	0.37	0.83	0.32	Inside
*1 1/2 x 1/8	1.12	0.37	0.83	0.32	Inside
2 x 1 1/4	2.48	0.34	0.88	0.67	Outside
2 x 1	1.95	0.41	0.88	0.58	Inside
2 x 3/4	1.63	0.41	0.88	0.50	Inside
2 x 1/2	1.34	0.41	0.88	0.43	Inside
2 x 3/8	1.12	0.41	0.88	0.36	Inside
2 x 1/4	1.12	0.41	0.88	0.32	Inside
*2 x 1/8	1.12	0.41	0.88	0.32	Inside
2 1/2 x 1 1/2	2.68	0.44	1.07	0.70	Outside
2 1/2 x 1 1/4	2.39	0.44	1.07	0.67	Inside
2 1/2 x 1	1.95	0.44	1.07	0.58	Inside
2 1/2 x 3/4	1.63	0.44	1.07	0.50	Inside
2 1/2 x 1/2	1.34	0.44	1.07	0.43	Inside
*2 1/2 x 3/8	1.34	0.44	1.07	0.36	Inside
3 x 2 1/2	3.86	0.40	1.13	0.92	Outside
3 x 2	3.28	0.48	1.13	0.75	Outside
3 x 1 1/2	2.68	0.48	1.13	0.70	Inside
3 x 1 1/4	2.390	0.48	1.13	0.67	Inside
3 x 1	1.95	0.48	1.13	0.58	Inside
3 x 3/4	1.63	0.48	1.13	0.50	Inside
3 x 1/2	—	—	—	—	Inside
*3 x 1/4	2.68	0.48	1.13	0.32	Inside
3 1/2 x 2 1/2	3.86	0.52	1.18	0.92	Outside
3 1/2 x 2	3.28	0.52	1.18	0.75	Inside



Continued on next page

* Manufactured to WARD specifications