

PFX472 Series

Low-Lead Cold Expansion PEX Ball Valve



Product Features

- Full port two-piece ball valve
- 400 WOG
- Certified to NSF 372 requirements
- cUPC/NSF61 compliant
- PEX end designed to ASTM F-1960
- Not for use at or below ground level
- Operating temperature -4°–212°F
- Body material: Dezincification-resistant brass (C46500)



PFX472G

Optional Accessories/Available Parts

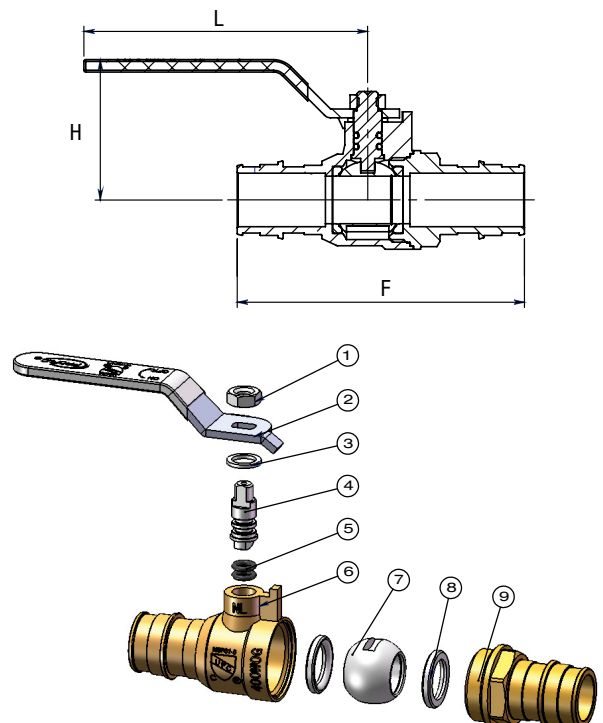
Model No.	Description	L		H		F	
		in.	mm	in.	mm	in.	mm
PFX472D	LF 1/2 BRS PROPEX F1960 BV	2.952	75	1.496	38	2.598	66
PFX472F	LF 3/4 BRS PROPEX F1960 BV	3.169	80.5	1.574	40	3.208	81.5
PFX472G	LF 1 BRS PROPEX F1960 BV	4.173	106	1.968	50	3.976	101
PFX472H	LF 1-1/4 BRS PROPEX F1960 BV	5.12	130	2.12	53.8	4.586	116.5
PFX472J	LF 1-1/2 BRS PROPEX F1960 BV	5.12	130	2.204	56	5.256	133.5
PFX472K	LF 2 BRS PROPEX F1960 BV	5.12	130	2.48	63	6.575	167

Codes and Certifications



Parts

Model No.	Description	Material	Qty
1	Hex Nut	Steel	1
2	Handle	Steel	1
3	Washer	PTFE	1
4	Stem	Brass	1
5	O-ring	EPDM	2
6	Body	Brass	1
7	Ball	Brass	1
8	Seats	PTFE	2
9	End Adapter	Brass	1



For detailed warranty information, visit ferguson.com/PROFLO-1-year-warranty.