

### Features

- Washout urinal.
- 3/4" rear spud.
- 1-pint or 0.125 gpf ( 0.47 lpf).
- Includes inlet and outlet spuds and hangers.
- Includes anti-backsplash walls.
- 14-3/4" (375 mm) extended rim.

### Material

- Vitreous china.

### Water Conservation & Rebates

- Watersense® compliant when used with WaterSense flushometer.



ADA

### Codes/Standards





ASME A112.19.2/CSA B45.1  
DOE - Energy Policy Act 1992  
EPA WaterSense®  
California Energy Commission (CEC)  
ADA  
ICC/ANSI A117.1

### KOHLER® One-Year Limited Warranty

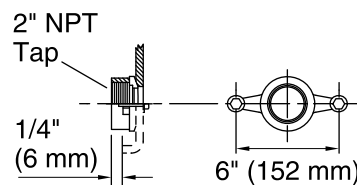
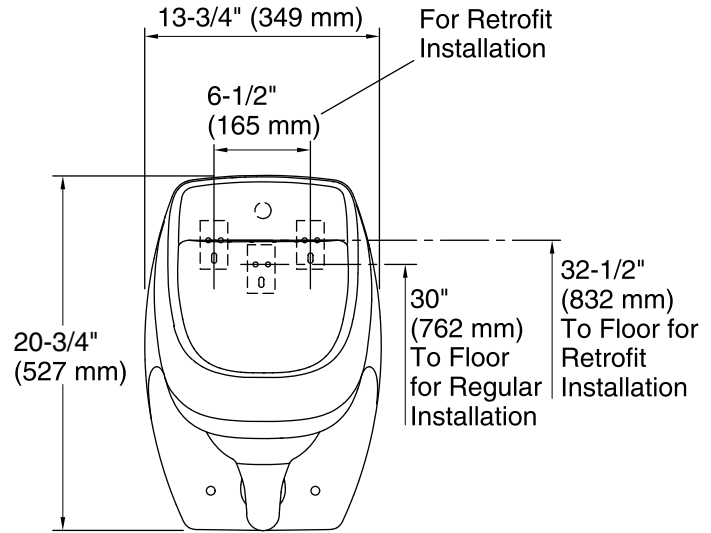
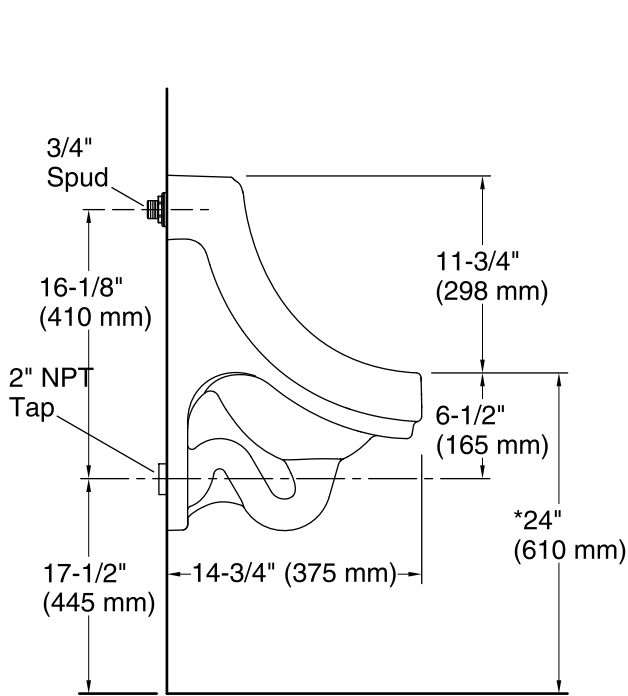
See website for detailed warranty information.

### Available Color/Finishes

*Color tiles intended for reference only.*

| Color  | Code | Description  |
|--|------|--------------|
|  | 0    | White        |
|  | 96   | Biscuit      |
|  | 47   | Almond       |
|  | 7    | Black Black™ |

\*Refer to the Notes for accessibility compliance.



**Outlet Detail**

### Technical Information

All product dimensions are nominal.

Flush outlet technology: Washout

Spud size: 3/4", Inlet, Rear

Min. Water per Flush: 0.125 gal (0.5 L)

Max. Water per Flush: 0.125 gal (0.5 L)

Designed for the above water use when installed with a water-saving flushometer.

### Pressure and Supply Requirements

Fixture pressure min 25 psi (172.4 kPa)  
(static):

Fixture pressure max 80 psi (551.6 kPa)  
(static):

### Notes

Designed only for use with a 0.125 gpf (0.5 lpf) flushometer.

Install this product according to the installation guide.

ADA compliant when installed to the specific requirements of these regulations.