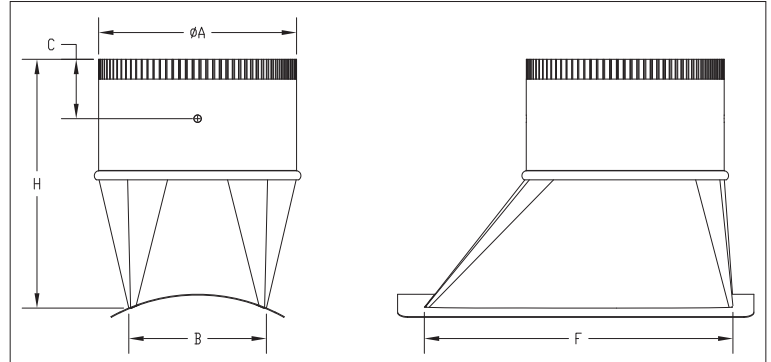


# Round Saddle

## HET Type



### Product Data Sheet



#### Description

Elgen's Round Saddle is used for Low & Medium Pressure applications. on round pipes.

#### Standard Construction

Collar- Formed using 24 GA ASTM A-653 G60 material  
 Body- Formed using 24 GA ASTM A-653 G60 material

A (in)	B (in)	C (in)	H (in)	F (in)
4	5	3	11.75	10
5	5	3	11.75	10
6	6	3	11.75	12
7	6	3	11.75	12
8	6	3	11.75	12
9	6	3	12.75	15
10	6.75	3	12.75	16
12	8.5	3	12.75	18
14	9.5	3	12.75	20
16	14	3	13.75	22
18	16	3	13.75	22
20	18	3	14	24

Specify round pipe size when ordering

#### Features

- Seam Welded- Adds strength and prevents air leakage
- Gasket- 1 1/2" High Density double sided with adhesive
- Union Made Yellow Label

#### Optional Construction

- All Volume Dampers for air control.
- Elgen Super Standoff
- G90 Galvanized
- 20 GA Collar and 22 GA Boot
- Stainless Steel 304
- Stainless Steel 316
- Aluminum
- PCD
- Galvanneal (Paint Grip)
- Agion (Antimicrobial Coating)

#### Packaging

Size (in)	Tray Qty	Skid Qty
4 - 16	MTO	MTO

#### Guarantee

All Elgen products are guaranteed by Elgen Manufacturing against defective material.

#### Elgen Manufacturing

10 Railroad Ave, Closter NJ 07624  
 Tel: 800.503.9805 :: Fax: 201.964.9030  
 info@elgenmfg.com :: www.elgenmfg.com