

GMVM 97% ECM Up Flow Furnace

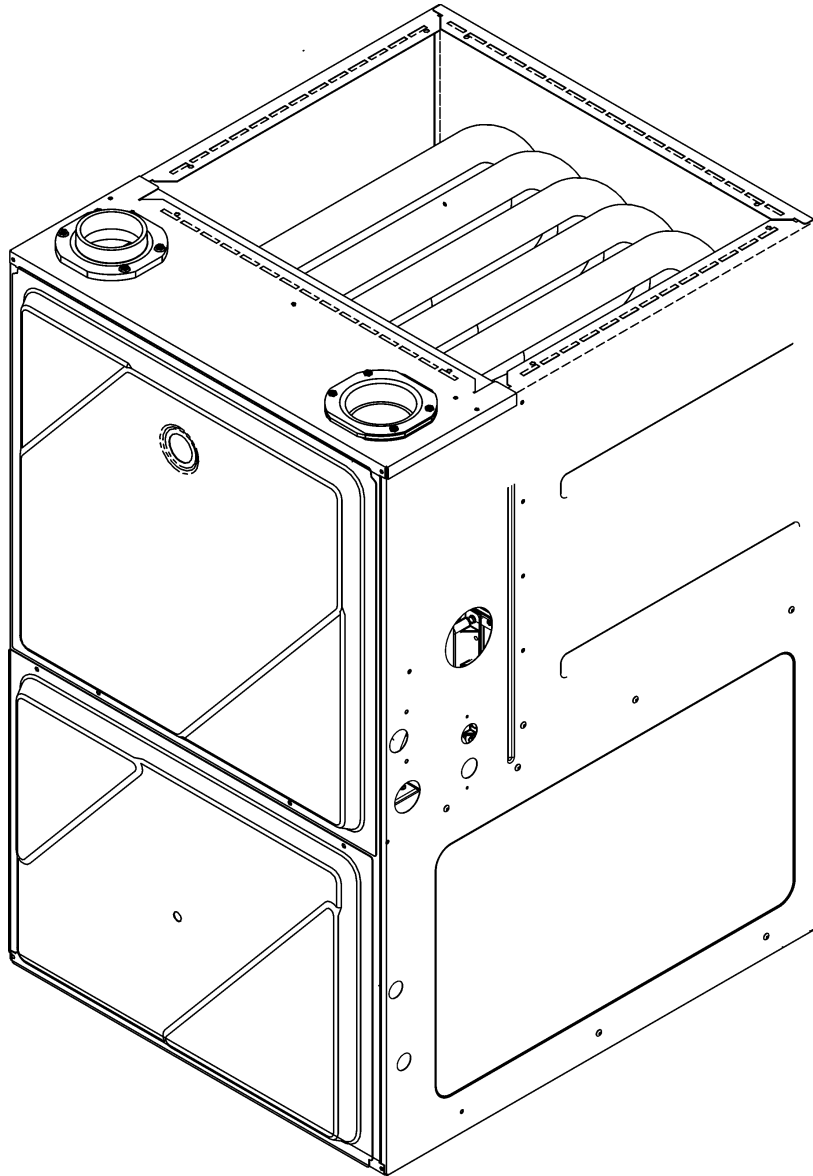
GMVM970603BNAA

GMVM970803BNAA

GMVM970804CNAA

GMVM971005CNAA

GMVM971205DNAA



This manual is to be used by qualified technicians only.

This manual replaces RP-G2003.

© 2014 Goodman Manufacturing Company, L.P. ♦ 5151 San Felipe St., Suite 500 ♦ Houston, TX 77056

Important Information

Index

Functional Parts List	3
Illustration and Parts	4 - 11

Views shown are for parts illustrations only, not servicing procedures

Short 90% Gas Furnace Project

Rev. A: Added Drain Part Bag Assy, Bag Assy, and Decorative Screw

Text Codes:

AR - As Required

NA - Not Available

NS - Not Shown

00000000 - See Note

QTY - Quantity Example (QTY 3) (If Quantity not shown, Quantity = 1)

M - Model Example (M1) (If M Code not shown, then part is used on all Models)

Expanded Model Nomenclature:

Example M1 - Model#1 M2 - Model#2 M3 - Model#3

Goodman Manufacturing Company, L.P. is not responsible for personal injury or property damage resulting from improper service. Review all service information before beginning repairs.

Warranty service must be performed by an authorized technician, using authorized factory parts. If service is required after the warranty expires, Goodman Manufacturing Company, L.P. also recommends contacting an authorized technician and using authorized factory parts.

Goodman Manufacturing Company, L.P. reserves the right to discontinue, or change at any time, specifications or designs without notice or without incurring obligations.

For assistance within the U.S.A. contact:
Consumer Affairs Department
Goodman Manufacturing Company, L.P.
7401 Security Way
Houston, Texas 77040
877-254-4729-Telephone
713-863-2382-Facsimile

For assistance outside the U.S.A. contact:
International Division
Goodman Manufacturing Company, L.P.
7401 Security Way
Houston, Texas 77040
713-861-2500-Telephone
713-863-2382-Facsimile

Functional Parts

Part

No: Description:

0163F00017	BECKETT BURNER (QTY 3)
0271F00159	BLOWER SHELL & WHEEL ASSY (M1, M2)
0271F00161	BLOWER SHELL & WHEEL ASSY (M3, M4)
0271F00163	BLOWER SHELL & WHEEL ASSY (M5)
0130F00296	DATA, FURNACE PCB (M5)
0130F00292	DATA, FURNACE PCB (M1)
0130F00293	DATA, FURNACE PCB (M2)
0130F00295	DATA, FURNACE PCB (M4)
0130F00294	DATA, FURNACE PCB (M3)
0130F00010	FLAME SENSOR
0151M00024	GAS VALVE
0257F00260	HEAT EXCHANGER ASSY (M4)
0257F00257	HEAT EXCHANGER ASSY (M5)
0257F00237	HEAT EXCHANGER ASSY (M1)
0257F00238	HEAT EXCHANGER ASSY (M3)
0257F00254	HEAT EXCHANGER ASSY (M2)
0130F00008	IGNITOR-SINI 17 SEC
0130M00141	INDUCTOR, 5.9 AMPS (GMPE100-4) (M3, M4, M5)
10690402	INTERLOCK SWITCH
10123529	MANUAL RESET LIMIT-GREEN (QTY 2)
0131M00272	MOTOR, 1 HP, SERIAL ECM (M4, M5)
0131M00270	MOTOR, 1/2 HP, SERIAL ECM (M1, M2)
0131M00271	MOTOR, 3/4 HP, SERIAL ECM (M3)
PCBKF201	PCB, FURNACE CONTROL
0130F00481	PRESSURE SWITCH (-.1 (COL BOX))
0130F00482	PRESSURE SWITCH (-.17 /-.86) (M1, M2, M3)
0130F00483	PRESSURE SWITCH (-.17 /-.86) (M4, M5)
20162903	PRIMARY LIMIT - BLUE (M3, M4)
0130F00038	PRIMARY LIMIT - LT BLUE 120° (AUX) (QTY 2)
0130F00036	PRIMARY LIMIT - PINK (M5)
20162906	PRIMARY LIMIT - WHITE (M2)
20162904	PRIMARY LIMIT-TEMPERATURE CONTROL (M1)
0130M00140	TRANSFORMER 120V TO 24V, 40VA

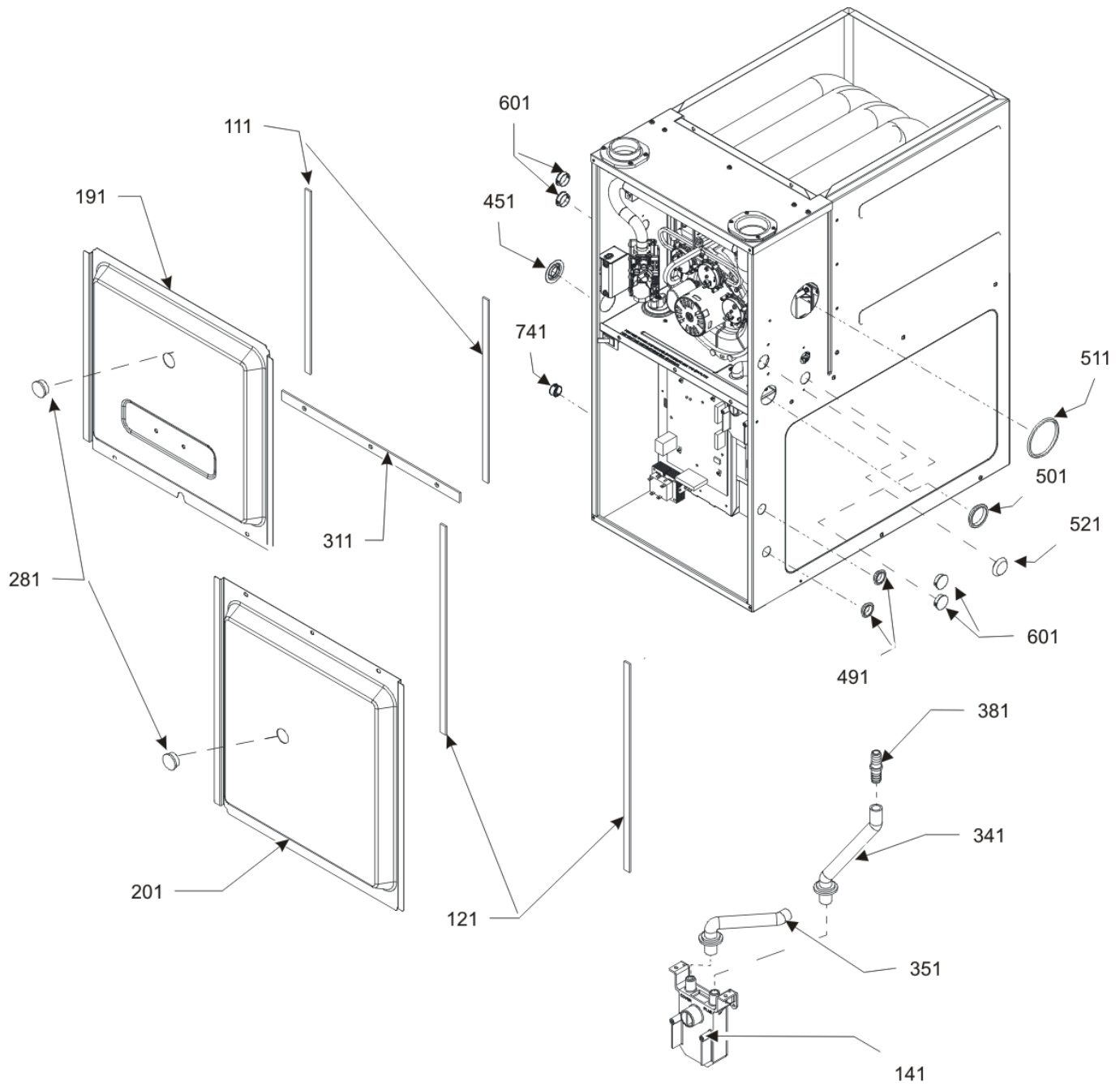
SPECIAL PARTS

0161F00000P GOODMAN NAMEPLATE

Expanded Model Nomenclature

M1 - GMVM970603BNAA
M2 - GMVM970803BNAA
M3 - GMVM970804CNAA
M4 - GMVM971005CNAA
M5 - GMVM971205DNAA

Cabinet



Cabinet

Ref. Part No: No:	Description:	Ref. Part No: No:	Description:
Image 1:			
111	0154F00024		GASKET (QTY 2)
121	0154F00025		GASKET (QTY 2)
141	0161F00046		DRAIN TRAP
191	0121F00291DG		DOOR, ACCESS 17.5 PNT (M1, M2)
191	0121F00292DG		DOOR, ACCESS 21 PNT (M3, M4)
191	0121F00293DG		DOOR, ACCESS 24.5 PNT (M5)
201	0121F00288DG		DOOR, BLOWER 17.5 PNT (M1, M2)
201	0121F00289DG		DOOR, BLOWER 21 PNT (M3, M4)
201	0121F00290DG		DOOR, BLOWER 24.5 PNT (M5)
281	B1392139		VIEW PORT BUSHING-BLOWER DOOR (QTY 2)
311	0154F00020		GASKET, DECK (M1, M2)
311	0154F00021		GASKET, DECK (M3, M4)
311	0154F00022		GASKET, DECK (M5)
341	0164F00017		HOSE-ELBOW/TRAP
351	0164F00006		HOSE, COVER/TRAP
381	0161F00047		COUPLING, HOSE BARBED
451	M0501301		PIPE GROMMET
491	M0570808		BUTTON PLUG (QTY 3)
501	M0570806		BUTTON PLUG
511	M0570807		BUTTON PLUG
521	0161M00027		PLUG, HOLE
601	B1392021		PLASTIC PLUG, 1" (2713-BLK) (QTY 4)
741	B1392104		UNIVERSAL BUSHING UB 875
NS	0270F03138		BAG ASSY UF
NS	M0310345		BUTTON PLUG (QTY 2)
NS	0270F03140		DRAIN PART BAG ASSY UF
NS	0161F00000P		GOODMAN NAMEPLATE
NS	0163M00049		HOSE CLAMP (QTY 3)
NS	M0209730		SCREW-DECORATIVE (QTY 3)

Expanded Model Nomenclature

M1 - GMVM970603BNAA
M2 - GMVM970803BNAA
M3 - GMVM970804CNAA
M4 - GMVM971005CNAA
M5 - GMVM971205DNAA

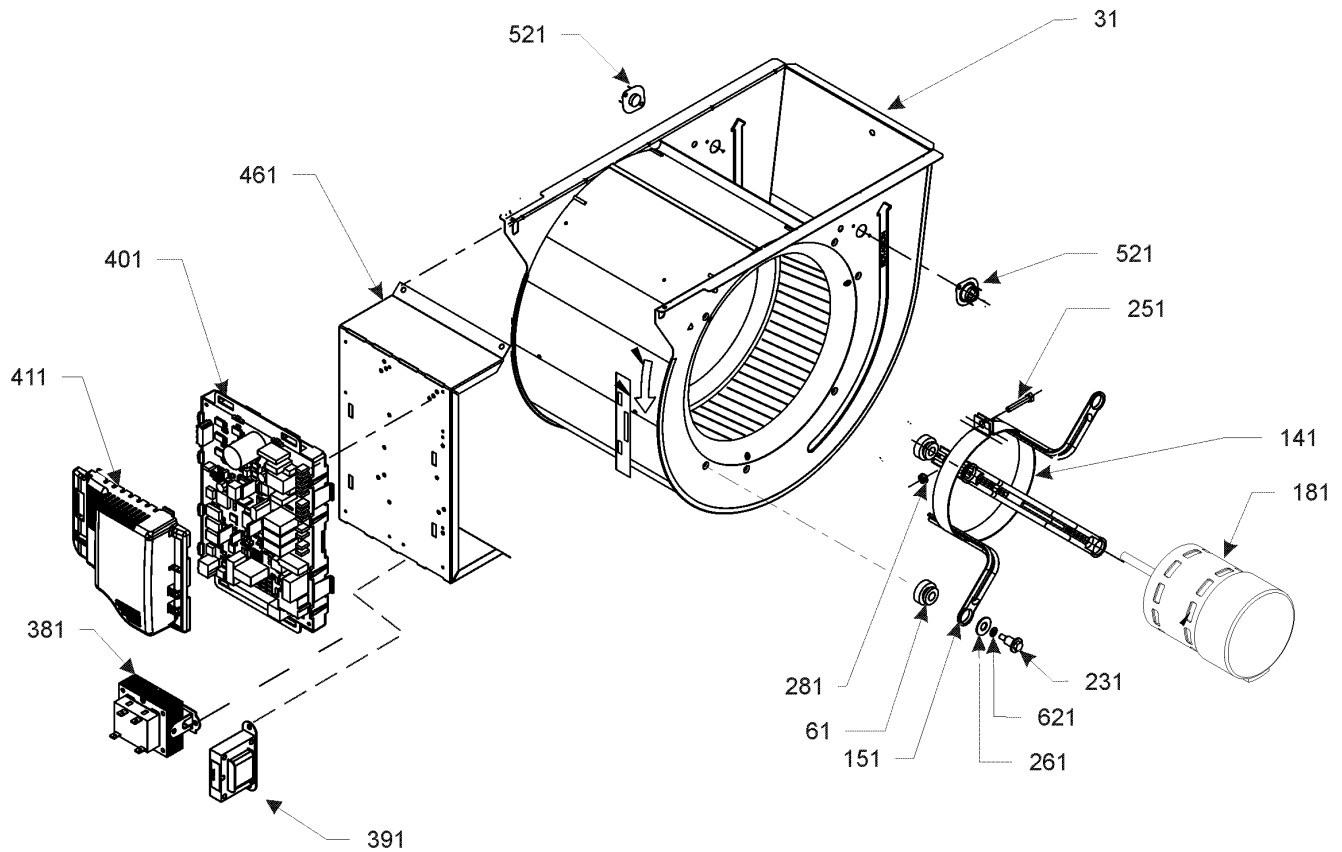
Blower Assembly

*If end bells are needed please order the following:

0131M00182 - 1/2 HP

0131M00183 - 3/4 HP

0131M00184 - 1 HP



Blower Assembly

Ref. Part No: No:	Description:	Ref. Part No: No:	Description:
<i>Image 1:</i>			
31	0271F00159		BLOWER SHELL & WHEEL ASSY (M1, M2)
31	0271F00161		BLOWER SHELL & WHEEL ASSY (M3, M4)
31	0271F00163		BLOWER SHELL & WHEEL ASSY (M5)
61	A4002702		BLOWER MOTOR GROMMET (M3, M4, M5)
141	0121M00038		MOTOR MOUNT BAND (M1, M2)
141	10441601		MOTOR MOUNT BAND (M3, M4, M5)
151	10441501		MOTOR MOUNT ARM (M3, M4, M5)
151	B1376857		MOTOR MOUNT ARM (M1, M2)
181	0131M00272		MOTOR, 1 HP, SERIAL ECM (M4, M5)
181	0131M00270		MOTOR, 1/2 HP, SERIAL ECM (M1, M2)
181	0131M00271		MOTOR, 3/4 HP, SERIAL ECM (M3)
231	M0221461		TC SCREW (M3, M4, M5)
231	M0250565		TC SCREW 1.25" (M1, M2)
251	M0267144		MACHINE SCREW (M3, M4, M5)
251	B1393323		MACHINE SCREW HWH 1/4-20 X 1-1/2 BZ (M1, M2)
261	B1392918		WASHER, FLAT 1/4 ID X 1 OD (M1, M2)
281	M0282015		KEPS NUT (M3, M4, M5)
281	B1393800		LOCKNUT, NYLON, INSERT 1/4, 20 (M1, M2)
381	0130M00140		TRANSFORMER 120V TO 24V, 40VA
391	0130M00141		INDUCTOR, 5.9 AMPS (GMPE100-4) (M3, M4, M5)
401	PCBKF201		PCB, FURNACE CONTROL
411	0161F00014		COVER, CONTROL BOARD
461	0121F00464		MOUNTING PLATE-CONTROLS
521	0130F00038		PRIMARY LIMIT - LT BLUE 120° (AUX) (QTY 2)
621	B1392820		WASHER, SPLIT LOCK 1/4 BZ (M3, M4, M5)
NS	0259F00040		CONTROL HARNESS
NS	0130F00292		DATA, FURNACE PCB (M1)
NS	0130F00293		DATA, FURNACE PCB (M2)
NS	0130F00294		DATA, FURNACE PCB (M3)
NS	0130F00295		DATA, FURNACE PCB (M4)
NS	0130F00296		DATA, FURNACE PCB (M5)
NS	0259F00024		WIRE HARNESS-BLOWER

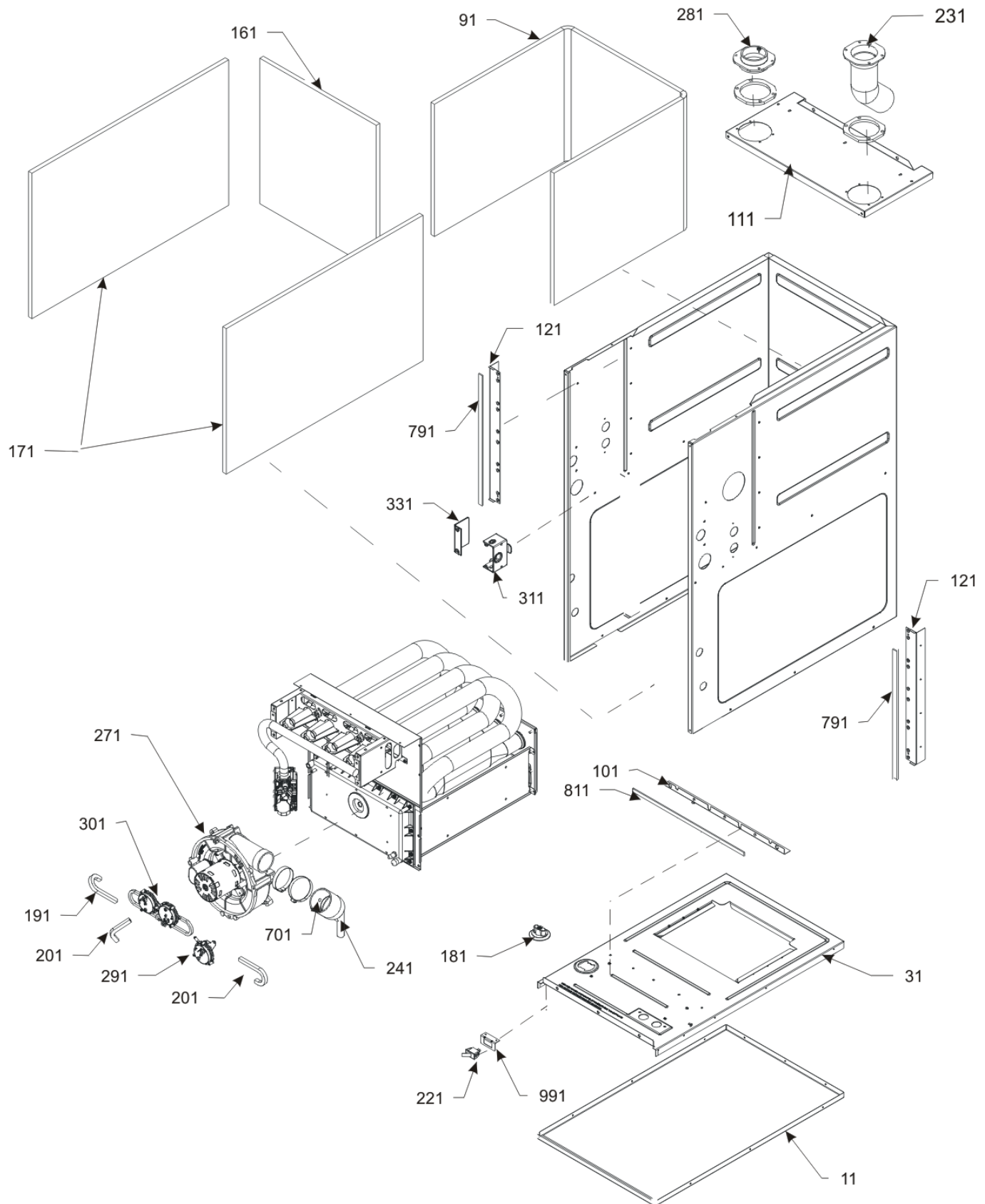
Expanded Model Nomenclature

M1 - GMVM970603BNAA
M2 - GMVM970803BNAA
M3 - GMVM970804CNAA
M4 - GMVM971005CNAA
M5 - GMVM971205DNAA

*If end bells are needed please order the following:

0131M00182 - 1/2 HP
 0131M00183 - 3/4 HP
 0131M00184 - 1 HP

Chassis



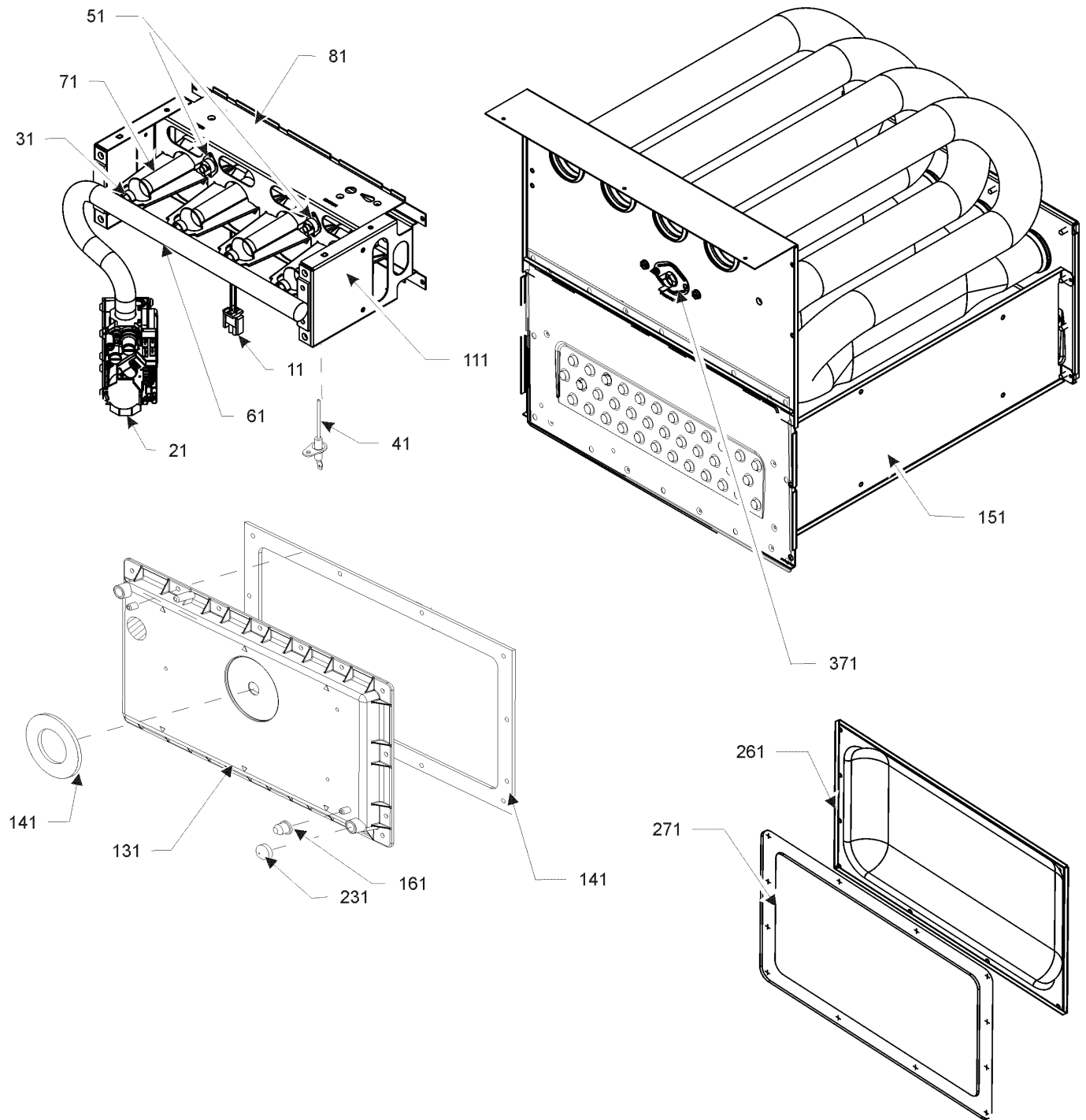
Chassis

Ref. Part No:	Ref. Part No:	Description:	Description:
Image 1:			
11	0121F00386DG	BASEPAN, UPFLOW PNT (M1, M2)	
11	0121F00387DG	BASEPAN, UPFLOW PNT (M3, M4)	
11	0121F00388DG	BASEPAN, UPFLOW PNT (M5)	
31	0121F00285	DECK, BLOWER 17.5 (M1, M2)	
31	0121F00286	DECK, BLOWER 21 (M3, M4)	
31	0121F00287	DECK, BLOWER 24.5 (M5)	
91	0160F00015	INSULATION, HT EXCHANGER 17.5" (M1, M2)	
91	0160F00016	INSULATION, HT EXCHANGER 21" (M3, M4)	
91	0160F00017	INSULATION, HT EXCHANGER 24.5" (M5)	
101	0121F00314	ANGLE, DECK (M1, M2)	
101	0121F00315	ANGLE, DECK (M3, M4)	
101	0121F00316	ANGLE, DECK (M5)	
111	0121F00279DG	PAINTED TOP, FURNACE 17.5 (M1, M2)	
111	0121F00280DG	PAINTED TOP, FURNACE 21 (M3, M4)	
111	0121F00281DG	PAINTED TOP, FURNACE 24.5 (M5)	
121	0121F00313	ANGLE, SIDE (QTY 2)	
161	0160F00012	INSULATION-BACK 17.5" (M1, M2)	
161	0160F00013	INSULATION-BACK 21" (M3, M4)	
161	0160F00014	INSULATION-BACK 24.5" (M5)	
171	0160F00018	INSULATION, SIDE (QTY 2)	
181	0159F00048	HARNESS-WIRING (M1, M2)	
181	0159F00049	HARNESS-WIRING (M3, M4, M5)	
191	0164M00031	14" PRESSURE SWITCH HOSES (M5)	
191	0164M00007	PRESSURE SWITCH HOSE (M1, M2)	
191	0164M00009	PRESSURE SWITCH HOSE (M3, M4)	
201	0164M00019	HOSE-PRESSURE SW 6" (QTY 2)	
221	10690402	INTERLOCK SWITCH	
231	0164F00002	FLUE PIPE W/BEND	
241	0164F00001	ELBOW-FLUE, UPFLOW	
271	0171M00003	MOTOR-ID, BLOWER	
281	0161F00037	COUPLING	
291	0130F00481	PRESSURE SWITCH (-.1 (COL BOX))	
301	0130F00482	PRESSURE SWITCH (-.17 /-.86) (M1, M2, M3)	
301	0130F00483	PRESSURE SWITCH (-.17 /-.86) (M4, M5)	
311	0161F00042	JUNCTION BOX PLA	
331	0161F00043	JUNCTION BOX LID	
791	0154F00015	GASKET (QTY 2)	
811	0154F00014	GASKET (M1, M2)	
811	0154F00016	GASKET (M3, M4)	
811	20194607	GASKET (M5)	
991	0121F00389	BRACKET, DOOR SWITCH	

Expanded Model Nomenclature

M1 - GMVM970603BNAA
M2 - GMVM970803BNAA
M3 - GMVM970804CNAA
M4 - GMVM971005CNAA
M5 - GMVM971205DNAA

Heat Exchanger / Manifold / Gas Valve



Heat Exchanger / Manifold / Gas Valve

Ref. Part No:	Part No:	Description:	Ref. Part No:	Part No:	Description:
Image 1:					
11	0130F00008	IGNITOR-SINI 17 SEC			
21	0151M00024	GAS VALVE			
31	0163F00004	ORIFICE (QTY 3)			
41	0130F00010	FLAME SENSOR			
51	10123529	MANUAL RESET LIMIT-GREEN (QTY 2)			
61	0163F00008	MANIFOLD (M1)			
61	0163F00009	MANIFOLD (M3)			
61	0163F00010	MANIFOLD (M4)			
61	0163F00011	MANIFOLD (M5)			
61	0163F00014	MANIFOLD (M2)			
71	0163F00017	BECKETT BURNER (QTY 3)			
81	0121F00455	BRACKET-BURNER 3 (M1)			
81	0121F00454	BRACKET-BURNER 4 (M2, M3)			
81	0121F00453	BRACKET-BURNER 5 (M4)			
81	0121F00451	BRACKET-BURNER 6 (M5)			
111	0121F00458	ORIFICE BRACKET-BURNER 3 (M1)			
111	0121F00457	ORIFICE BRACKET-BURNER 4 (M2, M3)			
111	0121F00452	ORIFICE BRACKET-BURNERS 5 (M4)			
111	0121F00447	ORIFICE BRACKET-BURNERS 6 (M5)			
131	0161F00018	COVER, FRONT (M4)			
131	0161F00031	COVER, FRONT (M2)			
131	0161F00056	COVER, FRONT (M1)			
131	0161F00065	COVER,FRONT (M3)			
131	0161F00066	COVER,FRONT (M5)			
141	0154F00011	GASKET, FRONT (M1, M2)			
141	0154F00012	GASKET, FRONT (M3, M4)			
141	0154F00013	GASKET, FRONT (M5)			
151	0257F00260	HEAT EXCHANGER ASSY (M4)			
151	0257F00237	HEAT EXCHANGER ASSY (M1)			
151	0257F00238	HEAT EXCHANGER ASSY (M3)			
151	0257F00254	HEAT EXCHANGER ASSY (M2)			
151	0257F00257	HEAT EXCHANGER ASSY (M5)			
231	A1781105	CAP-VINYL .500			
261	0121F00317	COVER, REAR (M1, M2)			
261	0121F00318	COVER, REAR (M3, M4)			
261	0121F00319	COVER, REAR (M5)			
271	0154F00008	GASKET, REAR CVR (M1, M2)			
271	0154F00009	GASKET, REAR CVR (M3, M4)			
271	0154F00010	GASKET, REAR CVR (M5)			
371	20162903	PRIMARY LIMIT - BLUE (M3, M4)			
371	0130F00036	PRIMARY LIMIT - PINK (M5)			
371	20162906	PRIMARY LIMIT - WHITE (M2)			
371	20162904	PRIMARY LIMIT-TEMPERATURE CONTROL (M1)			
NS	0121F00439	PRIMARY LIMIT-HEAT SHIELD			
NS	0121F00355	SHIELD, COIL (QTY 2)			

Expanded Model Nomenclature

M1 - GMVM970603BNAA
M2 - GMVM970803BNAA
M3 - GMVM970804CNAA
M4 - GMVM971005CNAA
M5 - GMVM971205DNAA