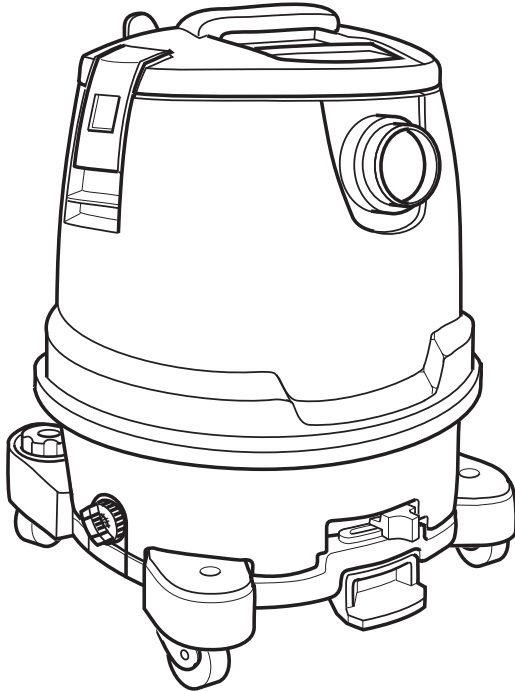


OWNER'S MANUAL

12 U.S. GALLON/45 LITER PROFESSIONAL WET/DRY VAC

1250RV0



FOR QUESTIONS OR INFORMATION CONTACT US AT
1-800-4-RIDGID (1-800-474-3443) from the US and Canada
01-800-701-9811 from Mexico
www.ridgidvac.com

⚠ WARNING:

To reduce the risk of injury, the user must read and understand the owner's manual before using this product.

Thank you for buying a RIDGID product.

- Español - página 21
- Français - page 41

SAVE THIS MANUAL FOR FUTURE REFERENCE

Table of Contents

Section	Page	Section	Page
Introduction	4	Blowing Feature	13
Unpacking and Checking Carton Contents	4	Accessory and Hose Storage	14
Tools Required	4	Accessory Storage	14
Carton Contents List	4	Hose Storage	14
Vacuum Assembly	5	Cord Wrap Storage	14
Vac Drum Removal/Installation	7	Maintenance	15
Operation	10	Repair Parts	18
Vacuuming Dry Materials	11	Servicing of Double Insulated	
Vacuuming Liquids	12	Wet/Dry Vacs	18
Emptying the Drum	12	Warranty	20
Moving the Wet/Dry Vac	12		

IMPORTANT SAFETY INSTRUCTIONS

Safety is a combination of using common sense, staying alert, and knowing how your Wet/Dry vacuum cleaner (“Vac”) works.

Safety Signal Words

▲ DANGER: Indicates a hazardous situation which, if not avoided, **will** result in death or serious injury.

▲ WARNING: Indicates a hazardous situation which, if not avoided, **could** result in death or serious injury.

▲ CAUTION: Indicates a hazardous situation which, if not avoided, **could** result in minor or moderate injury.

When using your Vac, always follow basic safety precautions including the following:

▲ WARNING

- To reduce the risk of fire, electric shock, or injury:

- Read and understand this manual and all labels on the Vac before operating.
- Use only as described in this manual.
- Do not leave Vac running while unattended - you may fail to notice important signs indicating abnormal operation such as loss of suction, debris/liquid exiting exhaust, or abnormal motor noises. Immediately stop using Vac if you notice these signs.
- Do not leave Vac when plugged in. Unplug from outlet when not in use and before servicing.
- Electric shock hazard - do not place and operate vacuum in standing water.

- Sparks inside the motor can ignite flammable vapors or dust. To reduce the risk of fire or explosion, do not use near combustible liquids, gases, or dusts, such as gasoline or other fuels, lighter fluid, cleaners, oil-based paints, natural gas, coal dust, magnesium dust, grain dust, aluminum dust, or gun powder.
- Do not vacuum anything that is burning or smoking, such as cigarettes, matches, or hot ashes.
- Do not vacuum drywall dust, cold fireplace ash, or other fine dusts with standard filter. These may pass through the filter and be exhausted back into the air. Use a fine dust filter instead.
- To reduce the risk of inhaling toxic vapors, do not vacuum or use near toxic or hazardous materials.
- To reduce the risk of electric shock, do not expose to rain or allow liquid to enter motor compartment. Store indoors.
- This Wet/Dry Vac is not intended for use by persons (including children) with reduced physical, sensory, or mental capabilities, or lack of experience and knowledge, unless they have been given supervision or instruction concerning use of the Vac by a person responsible for their safety.
- Do not allow to be used as a toy. Close attention is necessary when used by or near children.
- Do not use with a torn filter or without filter installed except when vacuuming liquids as described in this manual. Dry debris ingested by the impeller may damage the motor or be exhausted into the air.

- Turn off Vac before unplugging.
- To reduce the risk of injury from accidental starting, unplug power cord before changing or cleaning filter.
- Do not unplug by pulling on cord. To unplug, grasp the plug, not the cord.
- Do not use with damaged cord, plug or other parts. If your Vac is not working as it should, has missing parts, has been dropped, damaged, left outdoors, or dropped into water, call customer service.
- Do not pull or carry by cord, use cord as handle, close a door on cord, or pull cord around sharp edges or corners. Do not run Vac over cord. Keep cord away from heated surfaces.
- Do not handle plug, switch, or the Vac with wet hands.
- Do not use an extension cord with this Vac.
- This Vac is double-insulated, eliminating the need for a separate grounding system. Use only identical replacement parts. Read the instructions for Servicing Double-Insulated Wet/Dry Vacs.
- Do not put any object into ventilation openings. Do not vacuum with any ventilation openings blocked; keep free of dust, lint, hair or anything that may reduce air flow.
- Keep hair, loose clothing, fingers, and all parts of body away from openings and moving parts.
- To reduce the risk of falls, use extra care when cleaning on stairs.
- To reduce the risk of back injury or falls, do not lift a Vac that is heavy with liquid or debris. Partially empty by scooping debris or draining liquid.
- To reduce the risk of personal injury or damage to Vac, use only Ridgid recommended accessories.
- When using as a blower:
 - Direct air discharge only at work area.
 - Do not direct air at bystanders.
 - Keep children away when blowing.
- Do not use blower for any job except blowing dirt and debris.
- Do not use as a sprayer.
- To reduce the risk of eye injury, wear safety eyewear. The operation of any utility Vac or blower can result in foreign objects being blown into the eyes, which can result in severe eye damage.

▲ CAUTION:

- To reduce the risk of hearing damage, wear ear protectors when using for extended time or in a noisy area.
- For dusty operations, wear dust mask.
- Static shocks are common when the relative humidity of the air is low. Vacuuming fine debris with your Vac can deposit static charge on the hose or Vac. To reduce the frequency of static shocks in your home or when using this Vac, add moisture to the air with a humidifier.

Observe the following warnings that appear on the motor housing of your Vac:

 **DOUBLE INSULATED
GROUNDING NOT REQUIRED.
WHEN SERVICING USE ONLY
IDENTICAL REPLACEMENT PARTS.**

▲ WARNING: For your own safety, read and understand owner's manual. Do not run unattended. Do not pick up hot ashes, coals, toxic, flammable or other hazardous materials. Do not use around explosive liquids or vapors.

▲ WARNING: Electric shock hazard - do not place and operate vacuum in standing water.

▲ WARNING: To reduce the risk of electric shock - do not expose to rain - store indoors.

▲ WARNING: To reduce the risk of electric shock, do not remove, modify, or immerse this plug. Test before each use.

SAVE THIS MANUAL

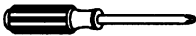
Introduction

This Wet/Dry Vac is intended for household use. It may be used for vacuuming wet or dry media and may be used as a blower.

Read this owner's manual to familiarize yourself with the product features and to understand the specific usage of your new Vac.

Unpacking and Checking Carton Contents

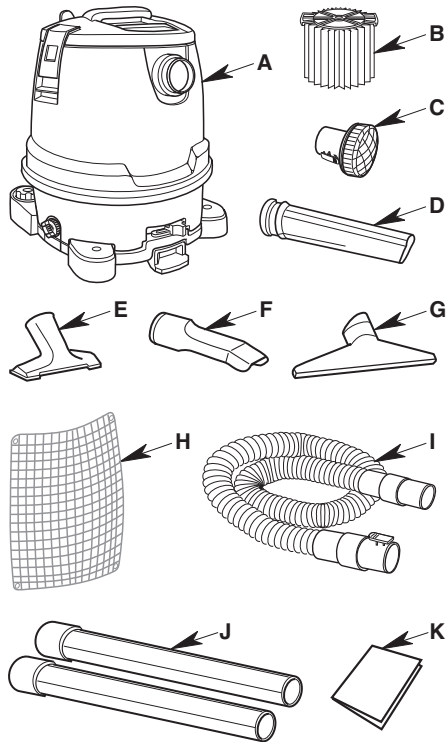
Tools Required



Phillips Screwdriver

Remove contents of carton. Check each item against the Carton Contents List. Call 1-800-4-RIDGID (1-800-474-3443) from the US and Canada, 01-800-701-9811 from Mexico, or E-mail us at info@ridgid.com if any parts are damaged or missing.

Refer to the assembly sketch for positioning of parts.



Carton Contents List

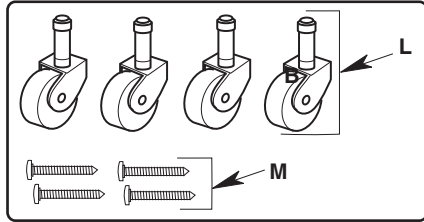
Key	Description	Qty
A	Wet/Dry Vac Assembly	1
B*	Qwik Lock™ Filter.....	1
C	Muffler/Diffuser.....	1
D	Crevice Tool	1
E	Utility Nozzle	1
F	Car Nozzle	1
G	Wet Nozzle.....	1
H	Accessory Holder.....	1
I	Premium Locking Hose.....	1
J	Extension Wands	2
K	Owner's Manual.....	1

* The filter comes preassembled.

Unpacking and Checking Carton Contents (Continued)

Bag of Loose Parts -
Containing the Following:

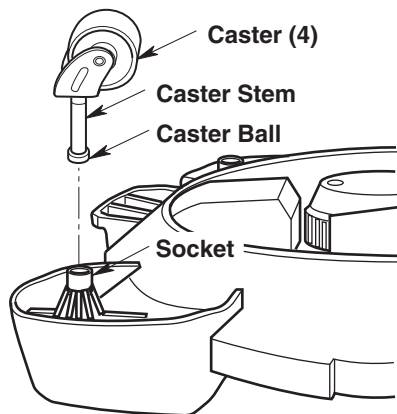
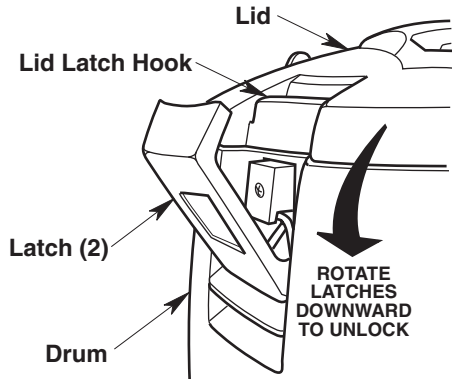
Key	Description	Qty
L	2" Casters.....	4
M	Screws, Type AB #10 x 3/4.....	4



Vacuum Assembly

Installing Casters

1. Remove lid from the drum/caddy by unlatching the two latches at the top of the Vac.
2. Turn drum upside down to expose the bottom of the drum/caddy for caster assembly.
3. Insert the caster stem into the socket of the power base as shown.
4. Push on the caster until the ball on the caster stem is inserted all the way into the socket. You will be able to hear the ball snap into the socket and the caster will swivel easily when positioning is correct.
5. Repeat steps 3 and 4 for the three remaining casters.
6. Rotate drum/caddy upright and reinstall the lid.

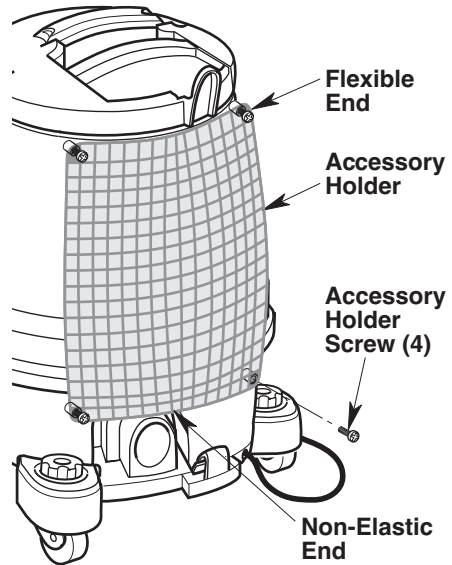


Vacuum Assembly (Continued)

Installing Accessory Holder

1. Attach the flexible end of the accessory holder at the top of the Vac drum. The non-elastic end should be located at the bottom of the Vac drum.
2. Install accessory holder as shown with the 4 screws included.
3. Tighten screws so that there is a small clearance between the screw head and the grommet on the accessory holder.

Note: Leave a clearance between the screw head and grommet. If no clearance, the accessory holder will twist with the screws.

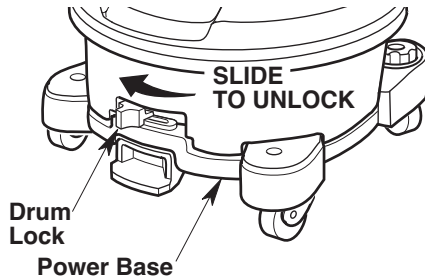


Vac Drum Removal/Installation

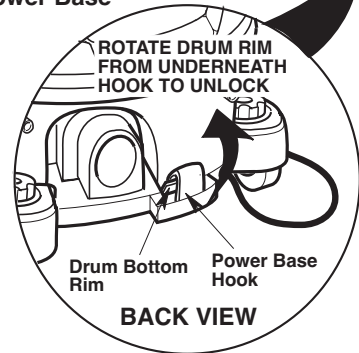
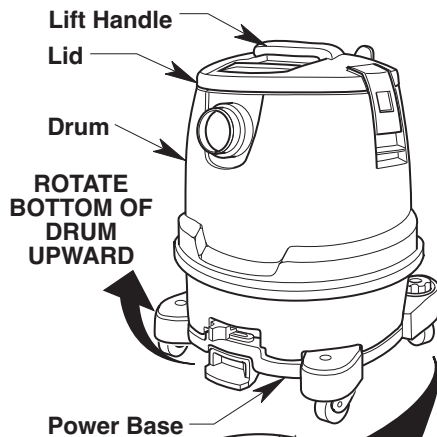
Removal

1. Remove the drum from the power base caddy by first sliding the drum lock from the right to the left.

This lock is located on the front of the unit just above the power switch, between the lower portion of the drum and the power base.

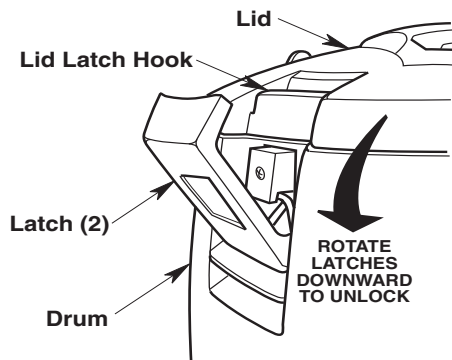


2. Lift up on the drum, using the lift handle found on the lid of the drum. Allowing the front of the drum to come up first will cause the drum to smoothly and properly disengage from the power base.



3. With the drum sitting on the ground, pull up on the lid latch handles found on the left and right side of the drum. Rotate the latches away from the lid.
4. Remove the lid from the drum assembly and place it in a safe location.

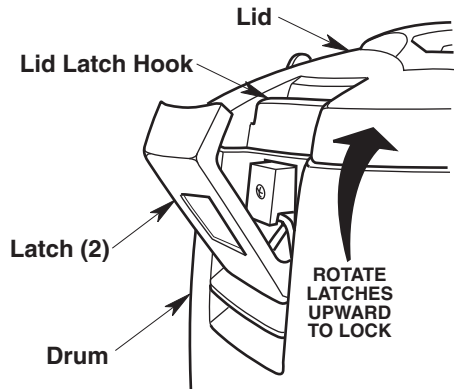
Note: The filter has remained in the drum and will remain there throughout the emptying process keeping the collected debris confined to the drum.



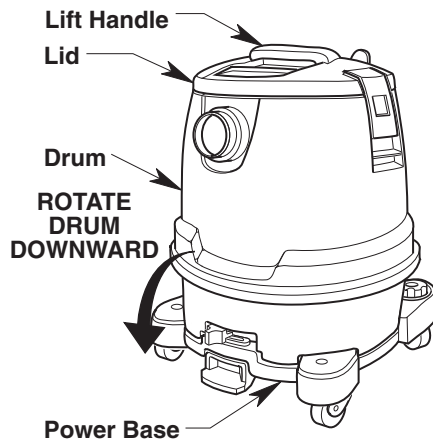
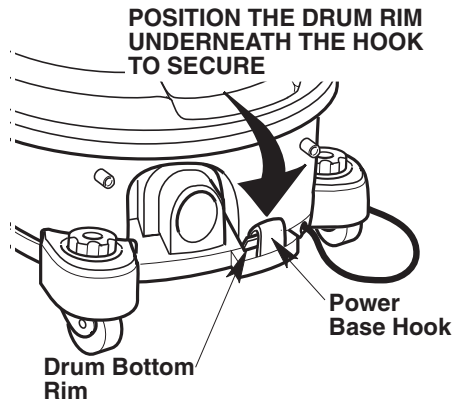
Vac Drum Removal/Installation (Continued)

Installation

1. Position the lid on the drum/caddy assembly as shown.
2. Rotate both latches up onto the lid latch hooks
3. Press the latches down and inward until latches are flush with the drum.



4. Using the lift handle, slide the drum onto the power base caddy, engaging the power base hook with the back of the drum.

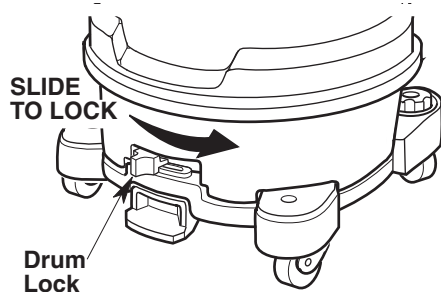




Vac Drum Removal/Installation (Continued)

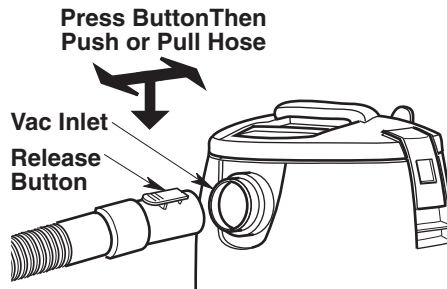
- Lower the front of the drum onto the power base caddy and slide drum lock lever left to right to locked position to secure.

Note: This will allow the drum and power base to create and maintain the proper seal once the drum lock on the front has been moved to the locked position. If the drum has not been seated properly on the power base, this lock will not engage properly and the power switch may not operate. This lock is located on the front of the unit just above the power switch, between the lower portion of the drum and the power base.



Insert Hose

- Insert the push button end of the Tug-A-Long Hose into the inlet of the Vac. The hose should snap into place.
- To remove the hose from the Vac, press the release button in the hose assembly and pull the hose out of the Vac inlet, as shown.



Operation

▲ WARNING: To reduce the risk of fire, explosion, or damage to Vac:

- Do not leave Vac running while unattended - you may fail to notice important signs indicating abnormal operation such as loss of suction, debris/liquid exiting the exhaust, or abnormal motor noises. Immediately stop using Vac if you notice these signs.
- Do not leave Vac plugged in when not in use.
- Do not continue running when float has cut off suction.
- Sparks inside the motor can ignite airborne flammables. Do not operate Vac near flammable liquids or in areas with flammable gases, vapors, or explosive/airborne dust. Flammable liquids, gases, and vapors include: lighter fluid, solvent-type cleaners, oil-based paints, gasoline, alcohol, and aerosol sprays. Explosive dusts include: coal, magnesium, aluminum, grain, and gun powder.
- Do not vacuum up explosive dusts, flammable liquids, or hot ashes.

▲ WARNING: To reduce the risk of electric shock or injury:

- Do not expose to rain or allow liquid to enter motor compartment. Store indoors.
- Do not handle plug, switch, or Vac with wet hands.
- Unplug Vac before servicing. If your Vac is not working as it should, has missing parts, has been dropped, damaged, left outdoors, or dropped into water, return it to an independent service center or call customer service.
- Do not use an extension cord with this vacuum.

Familiarize yourself with the accessories included with the Vac. Each accessory may be used in various ways for vacuuming and blowing debris. Here is a list of the accessories and their uses.

Wet Nozzle - Used for wet pickup on smooth surfaces to pick up liquid and dry the surface in one stroke.

Crevice Tool - Use to pick up debris in hard to reach locations.

Utility Nozzle - General purpose nozzle for most vacuuming applications.

Car Nozzle - Dry pickup nozzle for car interiors and most upholstery cleaning.

Muffler/Diffuser - Use to disperse exhaust air stream while reducing noise. Insert into blowing port.

Extension Wands - These wands can be connected together and provides additional length for more reach.

Hose - Provides transfer of vacuum or blowing capability to work site. Provides the means of attaching extension wands and nozzles.

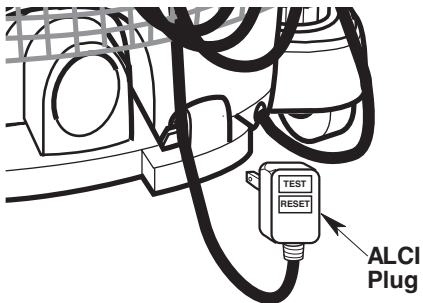
Operation (Continued)

To reduce the risk of electric shock, this Vac has an ALCI (Appliance Leakage Current Interrupter) device with a polarized plug (one blade is wider than the other). The ALCI may need to be reset if it detects current leakage or if the test button is pressed on the device.

The polarized plug will fit in a polarized outlet only one way. If the plug does not fit fully in the outlet, reverse the plug. If it still does not fit, contact a qualified electrician to install the proper outlet. Do not change the plug in any way.

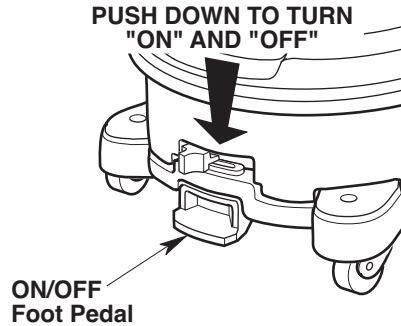
Note that the ALCI is a protective device that may make the Vac temporarily inoperable under some abnormal conditions such as immersing the base of the Vac in water. Before any use of the Vac involving wet pickup, or if the base has previously been placed in standing water or on a wet floor, the ALCI should be tested as follows:

1. With the ALCI plugged in, press the test button.
2. The reset button will pop up. If not, do not use Wet/Dry Vac.
3. Press reset button to restore power.



▲ WARNING: Electric shock hazard - do not place and operate vacuum in standing water.

After you plug the ALCI plug into the outlet, turn the Wet/Dry Vac on by pushing the foot pedal down, located at the front bottom of drum/caddy base.



Vacuuming Dry Materials

1. The filter must always be in correct position to reduce the risk of leaks and possible damage to Vac.
2. Your Wet/Dry Vac comes with the VF5000 Filter installed. When using your Vac to pick up very fine dust, it will be necessary for you to empty the drum and clean the filter at more frequent intervals to maintain peak Vac performance.

NOTE: A dry filter is necessary to pick up dry material. It is not recommended to vacuum dust when the filter is wet, the filter will clog quickly and be difficult to clean. Allow filter to dry before storing.

Operation (Continued)

Vacuating Liquids

1. When picking up small amounts of liquid (2-4 inches of liquid in the bottom of the drum) the filter may be left in place.
2. When picking up larger amounts of liquid (more than 4" of liquid in the bottom of the drum) we recommend that the filter be removed. If the filter is not removed, it will become saturated and misting may appear in the exhaust.
3. After using the Vac to pick up liquids, the filter must be dried to reduce the risk of possible mildew and damage to the filter.
4. When the liquid in the drum reaches a predetermined level, the float mechanism will rise automatically to cut off air-flow. When this happens, turn off the Vac, unplug the power cord, and empty the drum. You will know that the float has risen because Vac airflow ceases and the motor noise will become higher in pitch, due to increased motor speed.
5. When vacuuming a large amount of liquid containing debris, it is recommended to use a wet application filter (VF7000) in place of the supplied pleated paper filter. The wet application filter will prevent this debris from entering the motor, thus protecting the motor from possible damage.

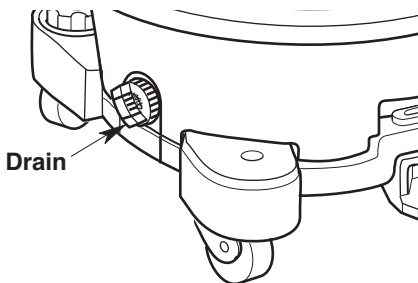
IMPORTANT: To reduce the risk of damage to the Vac, do not run motor with float in raised position.

▲ WARNING: Do not operate without filter cage and float, as they prevent liquid from entering the impeller and damaging the motor.

Emptying the Drum

▲ WARNING: To reduce the risk of back injury or falls, do not lift a Vac heavy with liquid or debris. Scoop or drain enough contents out to make the Vac light enough to lift comfortably.

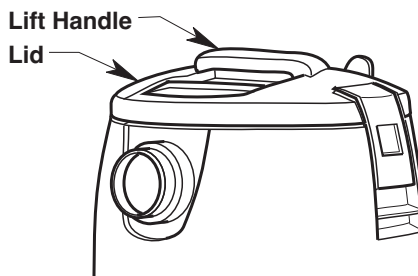
1. The Vac comes equipped with a drain for easy emptying of liquids. Simply unscrew the drain cap and lift the opposite side slightly to empty the drum.



2. Another option is to remove the drum assembly, from the power base in order to dispose of debris or liquids.
3. Follow the directions for drum removal on page 7.
4. Dump the drum contents into the proper waste disposal container.

Moving the Wet/Dry Vac

Should it become necessary to pick the Vac up to move it, the lift handle on the top of the lid is used to lift.

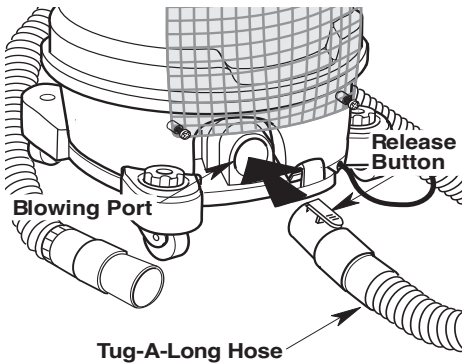


Operation (Continued)

Blowing Feature

Your Vac features a blowing port (located at the back of the Vac). It can blow sawdust and other debris. Follow the steps below to use your Vac as a blower.

1. Locate blowing port of your Vac.
2. Insert the locking end of the “Tug-A-Long Hose” into the blowing port of the Vac. The hose should snap into place.
3. Turn Vac on and you are ready to use your Vac as a blower.
4. To remove the hose from the Vac, press the release button on the hose assembly and pull the hose out of the Vac blowing port inlet.



⚠ WARNING: Always wear safety eyewear complying with ANSI Z87.1 (or in Canada, CSA Z94.3) before using as a blower.

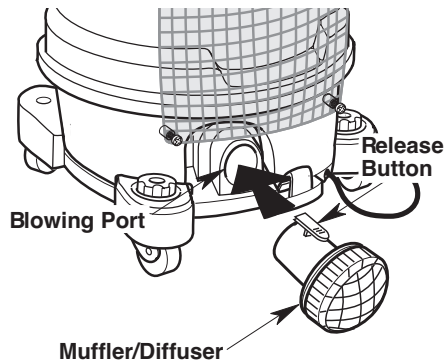
⚠ WARNING: To reduce the risk of injury to bystanders, keep them clear of blowing debris.

⚠ CAUTION: Wear a dust mask if blowing creates dust which might be inhaled.

⚠ CAUTION: To reduce the risk of hearing damage, wear ear protectors when using the Vac/Blower for extended time or in a noisy area.

⚠ WARNING: Do not leave vacuum plugged in when not in use.

Note: When used as a vacuum, the muffler/diffuser should be installed into the blower port as shown. Use of the muffler/diffuser will help disperse the exhaust air stream.

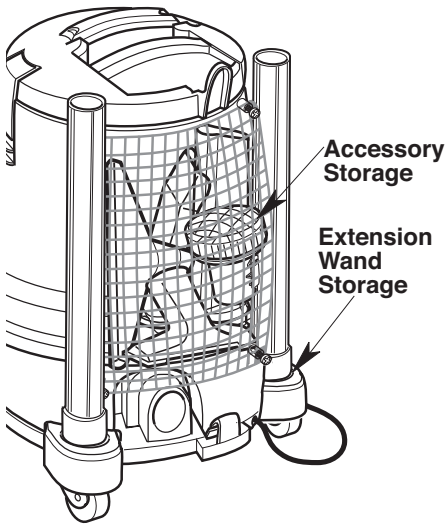


Accessory and Hose Storage

Accessory Storage

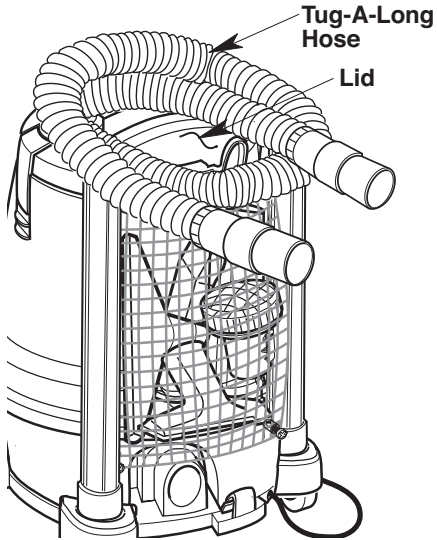
Your accessories may be stored in the accessory holder located on the rear of the drum, or in the foot storage on the power base caddy.

Place the extension wands into the two foot storage located on the back of the power base caddy.



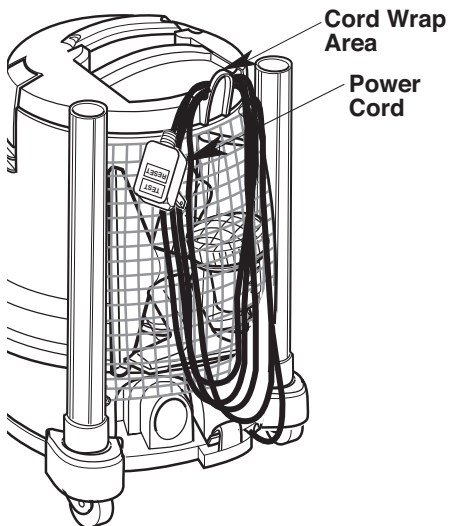
Hose Storage

The hose may be stored by wrapping it around the top of the Vac.



Cord Wrap Storage

When vacuuming is complete, unplug the cord and wrap it around the plastic cord storage area at the back of the Vac, as shown.



Maintenance

Filter

▲ WARNING: To reduce the risk of injury from accidental starting, unplug power cord before changing or cleaning filter.

1250RV Professional Wet/Dry Vac is supplied with RIDGID's Qwik Lock™ Fine Dust Filter. Replacement Qwik Lock™ Filters are available where you purchased your Vac. Ask for the RIDGID Qwik Lock™ Fine Dust Filter VF5000.

NOTE: The filter is made of high quality paper designed to stop very small particles of dust. The filter can be used for wet or dry pick up. Handle the filter carefully when removing to clean or installing it. Creases in the filter pleats may occur from installation but not affect the performance of the filter.

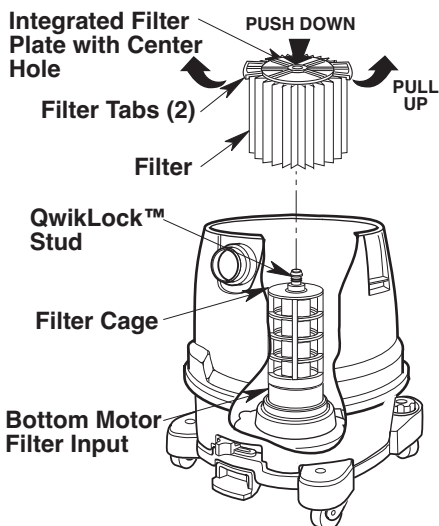
Filter Removal and Installation

Filter Removal:

1. Hold the filter tabs of the Qwik Lock™ filter in each hand.
2. With one thumb on the Qwik Lock™ stud, which protrudes through the integrated filter plate, lift up on the filter tabs while pushing down on the stud.
3. This action will cause the filter to release from the filter cage. Slide filter off cage.

Filter Installation:

1. Carefully slide the Qwik Lock™ filter over the filter cage and press down on the outside edge of the filter until the rubber gasket on the bottom of the filter seats securely around the base of the filter cage and against the bottom of the drum.



2. Align the small center hole in the top of the filter over the Qwik Lock™ stud on the filter cage. Press firmly on top of the filter near the stud to allow the filter to snap over the ball on the end of the stud. The filter is now attached.

NOTE: Failure to properly seat the bottom gasket could result in debris bypassing the filter.

IMPORTANT: To avoid damage to the blower wheel and motor, always reinstall the filter before using the Vac for dry material pick-up.

Cleaning a Dry Filter

NOTE: For best cleaning results due to accumulated dust, clean the filter in an open area. Cleaning SHOULD be done outdoors and not in the living quarters.

1. Remove filter from Vac. Gently tap filter against the inside wall of your dust drum. The debris will loosen and fall.
2. For thorough cleaning of dry filter with fine dust (no debris), run water through it as described under "Cleaning a Wet Filter".

Maintenance (Continued)

Cleaning a Wet Filter

After filter is removed, run water through the filter from a hose or spigot. Take care that water pressure is not strong enough to damage filter. Allow filter to dry out before re-installing in the vacuum.

IMPORTANT: After cleaning, check the filter for tears or small holes. Do not use a filter with holes or tears in it. Even a small hole can cause a lot of dust to come out of your Vac. If your filter is worn or damaged, replace it immediately.

Allow the filter to dry before reinstalling and storing the Vac.

Cleaning and Disinfecting the Wet/Dry Vac

To keep your Wet/Dry Vac looking its best, clean the outside with a cloth dampened with warm water and mild soap.

To clean the drum:

1. Dump debris out.
2. Wash drum thoroughly with warm water and mild soap.
3. Wipe out with dry cloth.

Before prolonged storage or as needed (i.e.; waste water pick up), the drum should be disinfected.

To disinfect the drum:

1. Pour 1 gallon of water and 1 teaspoon chlorine bleach into the drum.
2. Let solution stand for 20 minutes, carefully swishing every few minutes, making sure to wet all inside surfaces of the drum.
3. Empty drum after 20 minutes. Rinse with water until bleach smell is gone. Allow drum to dry completely before sealing the motor on the drum.

Cord Maintenance

When vacuuming is complete, unplug the cord and wrap it around the motor cover. If the power cord is damaged, it must be replaced by the manufacturer or their service agent or by similarly qualified personnel to reduce the risk of accident.

If the ALCI is preventing the vacuum from operating, then the Vac should be returned to a service center for examination and repair.

Storage

Before storing your Vac, the drum should be emptied and cleaned. The cord should be wrapped around the unit and the hose should be stored as described in this manual. Accessories should be kept in the same area as the Vac so they can be readily available. The Vac should be stored indoors.

Casters and Wheels

Should your cart squeak or become hard to roll, you should place two or three drops of general purpose oil on each wheel at the axle. If your casters are noisy, you may put a drop of oil on the roller shaft to make them quieter.

Frame and Handles

Your metal handle is painted to prevent rust, however, liquids and corrosive debris should be wiped off with a soft cloth should they come in contact with the handle.

▲ WARNING: To assure product SAFETY and RELIABILITY, any other maintenance, repairs, or adjustments should be performed by Authorized Service Centers, always using RIDGID replacement parts.



Notes

