



# RP13

Parts List  
16-April-2018



*This parts list is current as of the above revision date.  
See <http://www.rheempartslists.net/92-42801-RP13.pdf> for the current revision.*

Heat Pumps

# Table of Contents

Model Explanation .....	Page 3
<b>Parts Numbers</b>	
Panels .....	Page 4
Electrical-Fan Group .....	Page 5
Coil Parts .....	Page 6
Compressor Group .....	Page 7
Accessories .....	Page 8
<b>Drawings/Photographs</b>	
Exploded View .....	Page 9
Control Box (1) .....	Page 10
Control Box (2) .....	Page 10
Valve Mounting, Compressor .....	Page 11
Notes .....	Page 12

**MODEL NUMBER EXPLANATION**

<b>R</b>	<b>P</b>	<b>1</b>	<b>3</b>	<b>3</b>	<b>6</b>	<b>A</b>	<b>C</b>	<b>1</b>	<b>N</b>	<b>A</b>
1	2	3		4		5	6	7	8	9

- |  |  |
|--|--|
| <p>(1) <b>Brand</b></p> <p>(2) <b>Product Category</b><br/>P = Heat Pump</p> <p>(3) <b>Seer</b><br/>13 = 13 SEER</p> <p>(4) <b>COOLING CAPACITY (BTU/HR)</b><br/>036 = 36,000<br/>042 = 42,000<br/>048 = 48,000<br/>060 = 60,000</p> | <p>(5) <b>MAJOR SERIES</b><br/>A = First Design Series</p> <p>(6) <b>VOLTAGE</b><br/>C = 208-230/3/60<br/>D = 460/3/60</p> <p>(7) <b>TYPE</b><br/>1 = Single Stage</p> <p>(8) <b>CONTROLS</b><br/>N = Non-Communicating</p> <p>(9) <b>MINOR SERIES</b><br/>A = First Design Series</p> |
|--|--|

**SERIAL NUMBER EXPLANATION**

<b>W</b>	<b>0</b>	<b>8</b>	<b>1</b>	<b>3</b>	<b>9</b>	<b>9</b>	<b>9</b>	<b>9</b>
(1)	(2)		(3)		(4)			

- (1) **PLANT CODE**  
W = West Nuevo Laredo
- (2) **WEEK OF PRODUCTION**
- (3) **YEAR OF PRODUCTION**
- (4) **PRODUCTION NUMBER**

**Note: For Compressor Identification Number, see Compressor Code on Rating Plate**

No.	Notes	MODEL COOLING CAPACITY VARIATION	RP13	RP13	RP13	RP13
			36 AC1NA	42 AC1NA	48 AC1NA	60 AC1NA
<b>SHEET METAL PARTS, MISCELLANEOUS</b>						
1		Front Panel	AE-104456-03	AE-104456-03	AE-104456-25	AE-104456-43
2		Left Panel (Badge Panel)	AE-104456-21	AE-104456-21	AE-104456-41	AE-104456-56
3		Back Panel	AE-104456-04	AE-104456-04	AE-104456-26	AE-104456-44
4		Right Panel	AE-104456-03	AE-104456-03	AE-104456-25	AE-104456-43
5		Base Pan	68-104457-02	68-104457-02	68-104457-02	68-104457-03
6		Control Box - Before W1017	AE-104461-01	AE-104461-01	AE-104461-01	AE-104461-01
6		Control Box - On or After W1017	AE-104461-05	AE-104461-05	AE-104461-05	AE-104461-05
7		Control Box Cover	AS-104462-01H	AS-104462-01H	AS-104462-01H	AS-104462-01H
8		Control Box Bracket	AS-104460-02H	AS-104460-02H	AS-104460-04H	AS-104460-05H
9		Service Door	AS-104525-01H	AS-104525-01H	AS-104525-01H	AS-104525-01H
10		Center Post (2)	AS-104459-03H	AS-104459-03H	AS-104459-07H	AS-104459-09H
11		Corner Post (2)	AS-104469-02H	AS-104469-02H	AS-104469-04H	AS-104469-05H
12		Corner Post	AS-104469-02H	AS-104469-02H	AS-104469-04H	AS-104469-05H
13		Top Panel	AS-104458-02H	AS-104458-02H	AS-104458-02H	AS-104458-03H
14		Venturi	68-104464-04	68-104464-04	68-104464-04	68-104464-05
15		Grille	95-104620-02	95-104620-02	95-104620-02	95-104620-03
		Center Cap - Blank (for Grille)	91-101123-00	91-101123-00	91-101123-00	91-101123-00
		Service Valve - Suction	See Coil Group			
		Service Valve - Liquid	See Coil Group			
		Touch-up Paint - Granite/Steel Gray (Aerosol)	PD523018	PD523018	PD523018	PD523018
		Touch-up Paint - Granite/Steel Gray (Paint Pens)	PD523019	PD523019	PD523019	PD523019

No.	Notes	MODEL COOLING CAPACITY VARIATION	RP13	RP13	RP13	RP13
			36 AD1NA	42 AD1NA	48 AD1NA	60 AD1NA
<b>SHEET METAL PARTS, MISCELLANEOUS</b>						
1		Front Panel	AE-104456-03	AE-104456-03	AE-104456-25	AE-104456-43
2		Left Panel (Badge Panel)	AE-104456-21	AE-104456-21	AE-104456-41	AE-104456-56
3		Back Panel	AE-104456-04	AE-104456-04	AE-104456-26	AE-104456-44
4		Right Panel	AE-104456-03	AE-104456-03	AE-104456-25	AE-104456-43
5		Base Pan	68-104457-02	68-104457-02	68-104457-02	68-104457-03
6		Control Box - Before W1017	AE-104461-01	AE-104461-01	AE-104461-01	AE-104461-01
6		Control Box - On or After W1017	AE-104461-05	AE-104461-05	AE-104461-05	AE-104461-05
7		Control Box Cover	AS-104462-01H	AS-104462-01H	AS-104462-01H	AS-104462-01H
8		Control Box Bracket	AS-104460-02H	AS-104460-02H	AS-104460-04H	AS-104460-05H
9		Service Door	AS-104525-01H	AS-104525-01H	AS-104525-01H	AS-104525-01H
10		Center Post (2)	AS-104459-03H	AS-104459-03H	AS-104459-07H	AS-104459-09H
11		Corner Post (2)	AS-104469-02H	AS-104469-02H	AS-104469-04H	AS-104469-05H
12		Corner Post	AS-104469-02H	AS-104469-02H	AS-104469-04H	AS-104469-05H
13		Top Panel	AS-104458-02H	AS-104458-02H	AS-104458-02H	AS-104458-03H
14		Venturi	68-104464-04	68-104464-04	68-104464-04	68-104464-05
15		Grille	95-104620-02	95-104620-02	95-104620-02	95-104620-03
		Center Cap - Blank (for Grille)	91-101123-00	91-101123-00	91-101123-00	91-101123-00
		Service Valve - Suction	See Coil Group			
		Service Valve - Liquid	See Coil Group			
		Touch-up Paint - Granite/Steel Gray (Aerosol)	PD523018	PD523018	PD523018	PD523018
		Touch-up Paint - Granite/Steel Gray (Paint Pens)	PD523019	PD523019	PD523019	PD523019

No.	Notes	MODEL COOLING CAPACITY VARIATION	RP13 36 AC1NA	RP13 42 AC1NA	RP13 48 AC1NA	RP13 60 AC1NA
<b>ELECTRICAL/FAN GROUP</b>						
20	Stk	Fan Motor - Before W1017	51-102008-20	51-101774-31	51-102008-07	51-101774-12
20	Stk	Fan Motor - On or after W1017	51-101774-52	51-101774-31	51-102008-34	51-101774-12
21	Stk	Fan Blade	70-102011-12	70-102011-09	70-101323-30	70-101323-29
22	Stk	Contactactor	42-102664-14	42-102664-14	42-102664-14	42-102664-14
23		Capacitor	See Compressor Group			
23a		Capacitor Strap	AE-104562-01	AE-104562-01	AE-104562-01	AE-104562-01
24	Stk	Defrost Control Board	47-102685-06	47-102685-07	47-102685-06	47-102685-06
24a		Relay	N/A	N/A	N/A	N/A
25		Crankcase Heater	See Compressor Group			
26		Grounding Lug	45-19000-01	45-19000-01	45-19000-01	45-19000-01
		Low Ambient Control	See Accessories Group			
		Low Ambient Sensor	47-102709-01	47-102709-01	47-102709-01	47-102709-01
27	Stk	Low Pressure Control	47-103670-05	47-103670-05	47-103670-05	47-103670-05
27a		Service Port - Low Pressure Control	61-18542-01	61-18542-01	61-18542-01	61-18542-01
28	Stk	High Pressure Control	47-103669-01	47-103669-01	47-103669-01	47-103669-01

No.	Notes	MODEL COOLING CAPACITY VARIATION	RP13 36 AD1NA	RP13 42 AD1NA	RP13 48 AD1NA	RP13 60 AD1NA
<b>ELECTRICAL/FAN GROUP</b>						
20	Stk	Fan Motor (Three-phase) - See Note 1	51-102008-24	51-102008-32	N/A	N/A
20	Stk	Fan Motor (Single-phase) - See Note 1	N/A	51-101774-37	51-101774-38	51-101774-34
21	Stk	Fan (Three-phase Motor) - See Note 1	70-102011-12	43-101666-65	N/A	N/A
21	Stk	Fan (Single-phase Motor) - See Note 1	N/A	43-101666-65	70-101323-30	70-101323-29
22	Stk	Contactactor	42-102664-14	42-102664-14	42-102664-14	42-102664-14
23		Capacitor (Single-phase Motor) - See Note 1	N/A	43-101666-65	43-101666-65	43-101666-65
23a		Capacitor Strap	AE-104562-01	AE-104562-01	AE-104562-01	AE-104562-01
24	Stk	Defrost Control Board	47-102685-07	47-102685-07	47-102685-07	47-102685-07
24a		Relay	42-19737-01	42-19737-01	42-19737-01	42-19737-01
25		Crankcase Heater	See Compressor Group			
26		Grounding Lug	45-19000-01	45-19000-01	45-19000-01	45-19000-01
		Low Ambient Control	See Accessories Group			
		Low Ambient Sensor	47-102709-01	47-102709-01	47-102709-01	47-102709-01
27	Stk	Low Pressure Control	47-103670-05	47-103670-05	47-103670-05	47-103670-05
27a		Service Port - Low Pressure Control	61-18542-01	61-18542-01	61-18542-01	61-18542-01
28	Stk	High Pressure Control	47-103669-01	47-103669-01	47-103669-01	47-103669-01

No.	Notes	MODEL COOLING CAPACITY VARIATION	RP13	RP13	RP13	RP13
			36 AC1NA	42 AC1NA	48 AC1NA	60 AC1NA
<b>COIL GROUP</b>						
30	Stk	Condenser Coil	AS-105001-03	AS-105001-03	AS-105034-03	AS-105003-03
31		Service Valve - Suction	61-104914-03	61-104914-04	61-104914-04	61-104914-04
32		Service Valve - Liquid	61-104914-01	61-104914-05	61-104914-01	61-104914-01
33		Bulkhead Valve	61-22369-04	61-22369-04	61-22369-04	61-22369-04
33a		Valve Core	61-18551-01	61-18551-01	61-18551-01	61-18551-01
33b		Valve Cap	83-100635-01	83-100635-01	83-100635-01	83-100635-01
		Locknut - Bulkhead Valve	63-22368-01	63-22368-01	63-22368-01	63-22368-01
27	Stk	Low Pressure Control	See Electrical Group			
28	Stk	High Pressure Control	See Electrical Group			
	Stk	Filter Drier	83-41719-02	83-41719-02	83-41719-04	83-41719-04
		Charge Compensator	N/A	83-104499-02	N/A	83-104499-12
29a	Stk	TXV/Distributor Assembly	61-105025-04	61-105025-05	61-105025-06	61-105025-07
29b	Stk	Reversing Valve	61-102498-09	61-102498-09	61-102498-06	61-102498-06
	Stk	Solenoid Coil - Reversing Valve	61-101713-92	61-101713-92	61-101713-92	61-101713-92
		Wiring Harness - Reversing Valve (Before W0917)	61-26149-03	61-26149-03	61-26149-03	61-26149-03
		Wiring Harness - Reversing Valve (On or After W0917)	61-26149-05	61-26149-05	61-26149-05	61-26149-05

No.	Notes	MODEL COOLING CAPACITY VARIATION	RP13	RP13	RP13	RP13
			36 AD1NA	42 AD1NA	48 AD1NA	60 AD1NA
<b>COIL GROUP</b>						
30	Stk	Condenser Coil	AS-105001-03	AS-105001-03	AS-105034-03	AS-105003-03
31		Service Valve - Suction	61-104914-03	61-104914-04	61-104914-04	61-104914-04
32		Service Valve - Liquid	61-104914-05	61-104914-05	61-104914-05	61-104914-05
33		Bulkhead Valve	61-22369-04	61-22369-04	61-22369-04	61-22369-04
33a		Valve Core	61-18551-01	61-18551-01	61-18551-01	61-18551-01
33b		Valve Cap	83-100635-01	83-100635-01	83-100635-01	83-100635-01
		Locknut - Bulkhead Valve	63-22368-01	63-22368-01	63-22368-01	63-22368-01
27	Stk	Low Pressure Control	See Electrical Group			
28	Stk	High Pressure Control	See Electrical Group			
	Stk	Filter Drier	83-41719-02	83-41719-02	83-41719-02	83-41719-02
		Charge Compensator	N/A	83-104499-02	N/A	83-104499-12
29a	Stk	TXV/Distributor Assembly	61-105025-04	61-105025-05	61-105025-06	61-105025-07
29b	Stk	Reversing Valve	61-102498-09	61-102498-09	61-102498-06	61-102498-06
	Stk	Solenoid Coil - Reversing Valve	61-101713-92	61-101713-92	61-101713-92	61-101713-92
		Wiring Harness - Reversing Valve (Before W0917)	61-26149-03	61-26149-03	61-26149-03	61-26149-03
		Wiring Harness - Reversing Valve (On or After W0917)	61-26149-05	61-26149-05	61-26149-05	61-26149-05

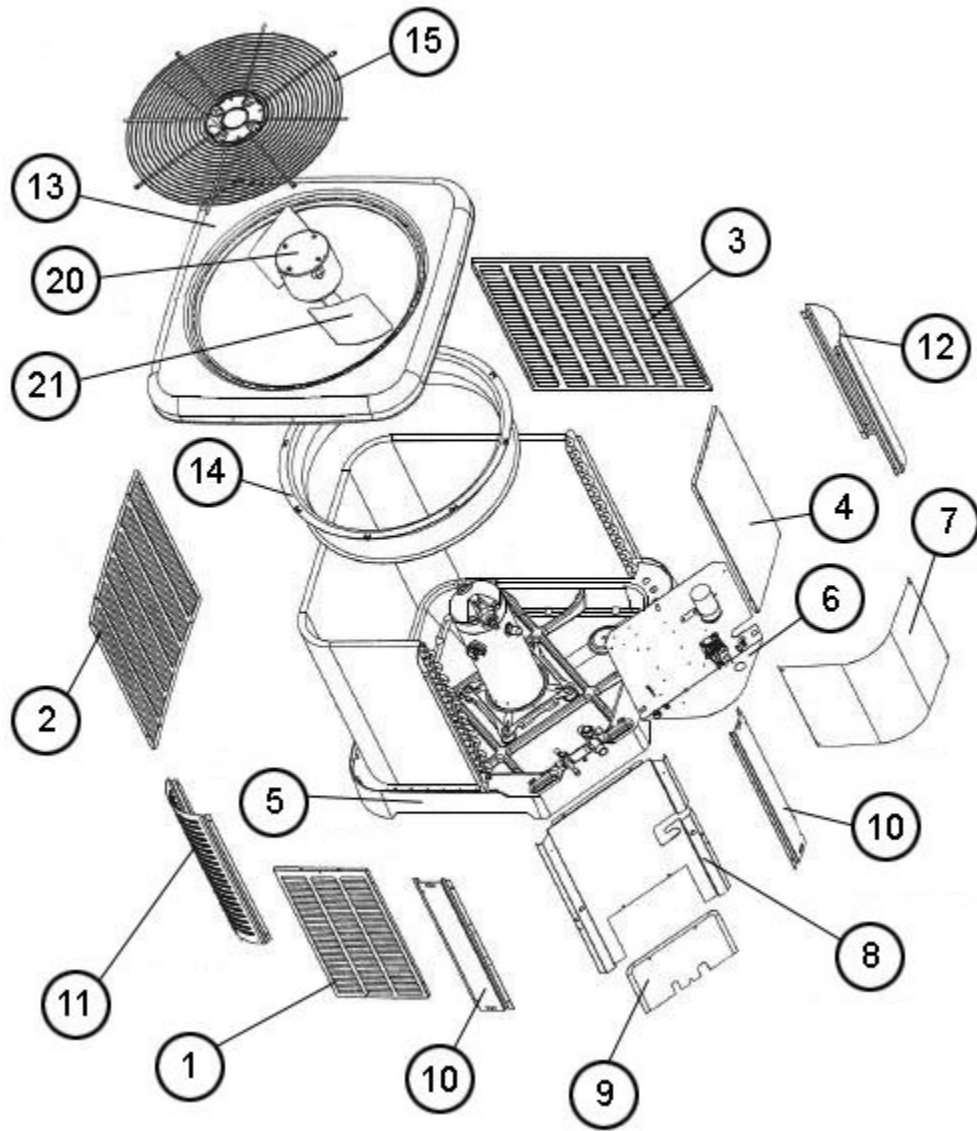
No.	Notes	MODEL COOLING CAPACITY VARIATION	RP13 36 AC1NA	RP13 42 AC1NA	RP13 48 AC1NA	RP13 60 AC1NA
<b>COMPRESSOR GROUP</b>						
		<b>Compressor ID:</b>	<b>9070</b>	<b>9071</b>	<b>9072</b>	<b>9073</b>
40	Stk	Compressor	55-102045-132S	55-102045-133	55-102045-134S	55-102045-130S
		Compressor Grommet (4)	56-18518-04	56-18518-06	56-18518-06	56-18518-06
		Compressor Bolt (4)	63-20072-07	63-20072-07	63-20072-07	63-20072-07
23	Stk	Capacitor - Fan	43-101666-65	43-101666-65	43-101666-62	43-101666-65
	Stk	Compressor Wiring Harness (Molded Plug)	45-100834-80	45-100834-80	45-100834-80	45-100834-80
25		Crankcase Heater	See Accessories Group			44-103663-13
		Muffler	83-104416-01	83-104416-01	83-104416-01	83-104416-01
		Filter Drier	See Coil Group			
		Charge Compensator	See Coil Group			

No.	Notes	MODEL COOLING CAPACITY VARIATION	RP13 36 AD1NA	RP13 42 AD1NA	RP13 48 AD1NA	RP13 60 AD1NA
<b>COMPRESSOR GROUP</b>						
		<b>Compressor ID:</b>	<b>9098</b>	<b>9099</b>	<b>9100</b>	<b>9101</b>
40	Stk	Compressor	55-102045-135S	55-102045-136	55-102045-137S	55-102045-131S
		Compressor Grommet (4)	56-18518-04	56-18518-06	56-18518-06	56-18518-06
		Compressor Bolt (4)	63-20072-07	63-20072-07	63-20072-07	63-20072-07
23		Capacitor - Fan	See Electrical Group			
	Stk	Compressor Wiring Harness (Molded Plug)	45-100834-80	45-100834-80	45-100834-80	45-100834-80
25		Crankcase Heater	See Accessories Group			44-101884-06
		Muffler	83-104416-01	83-104416-01	83-104416-01	83-104416-01
		Filter Drier	See Coil Group			
		Charge Compensator	See Coil Group			

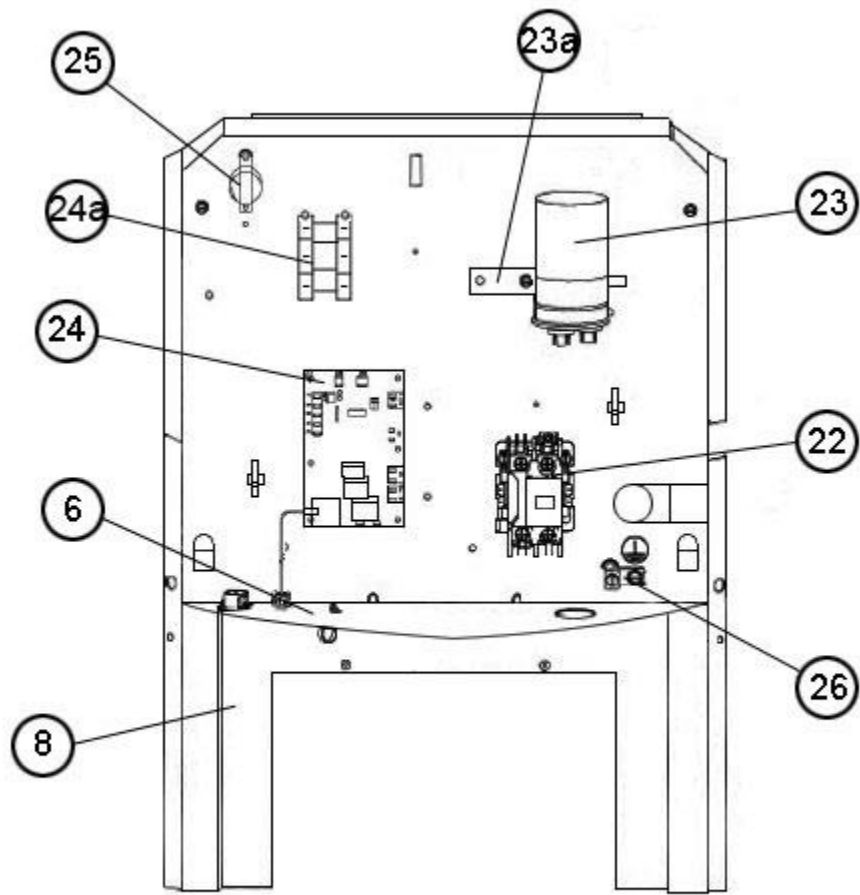
No.	Notes	MODEL COOLING CAPACITY VARIATION	RP13 36 AC1NA	RP13 42 AC1NA	RP13 48 AC1NA	RP13 60 AC1NA
<b>ACCESSORIES</b>						
		Low Ambient Control	RXAD-A08	RXAD-A08	RXAD-A08	RXAD-A08
		Compressor Crankcase Heater	44-17402-44	44-17402-45	44-17402-45	See Compressor Group
		Compressor Sound Cover	68-23427-26	68-23427-25	68-23427-25	68-23427-25

No.	Notes	MODEL COOLING CAPACITY VARIATION	RP13 36 AD1NA	RP13 42 AD1NA	RP13 48 AD1NA	RP13 60 AD1NA
<b>ACCESSORIES</b>						
		Low Ambient Control	RXAD-A08	RXAD-A08	RXAD-A08	RXAD-A08
		Compressor Crankcase Heater	442040	44-17402-46	44-17402-46	See Compressor Group
		Compressor Sound Cover	68-23427-26	68-23427-25	68-23427-25	68-23427-25

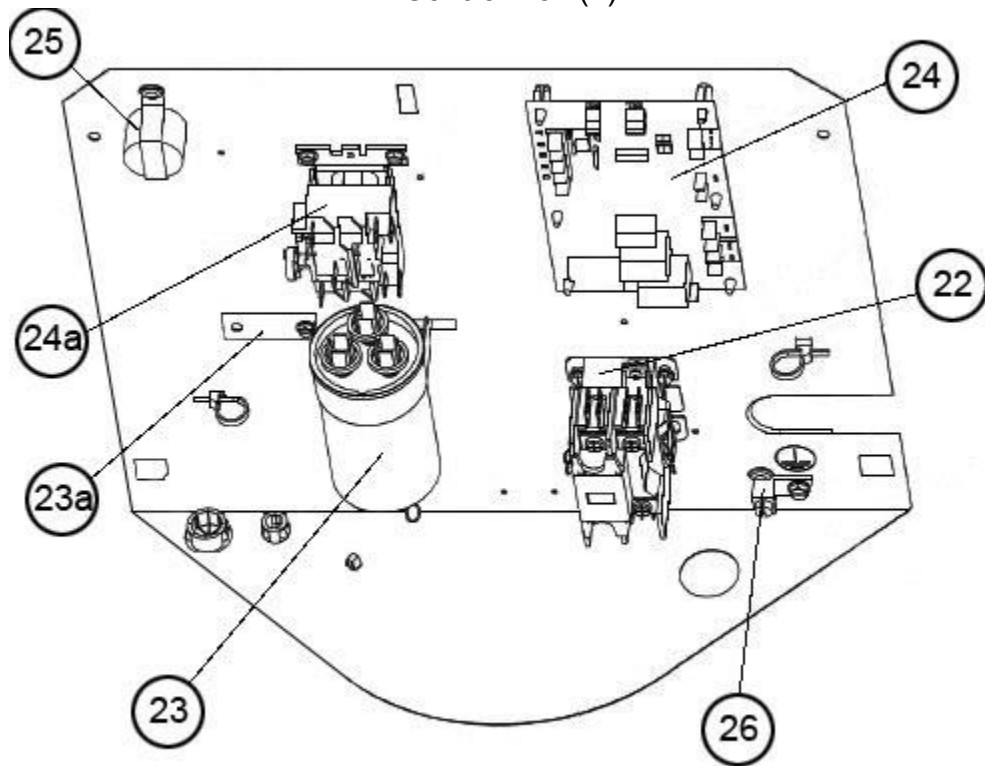




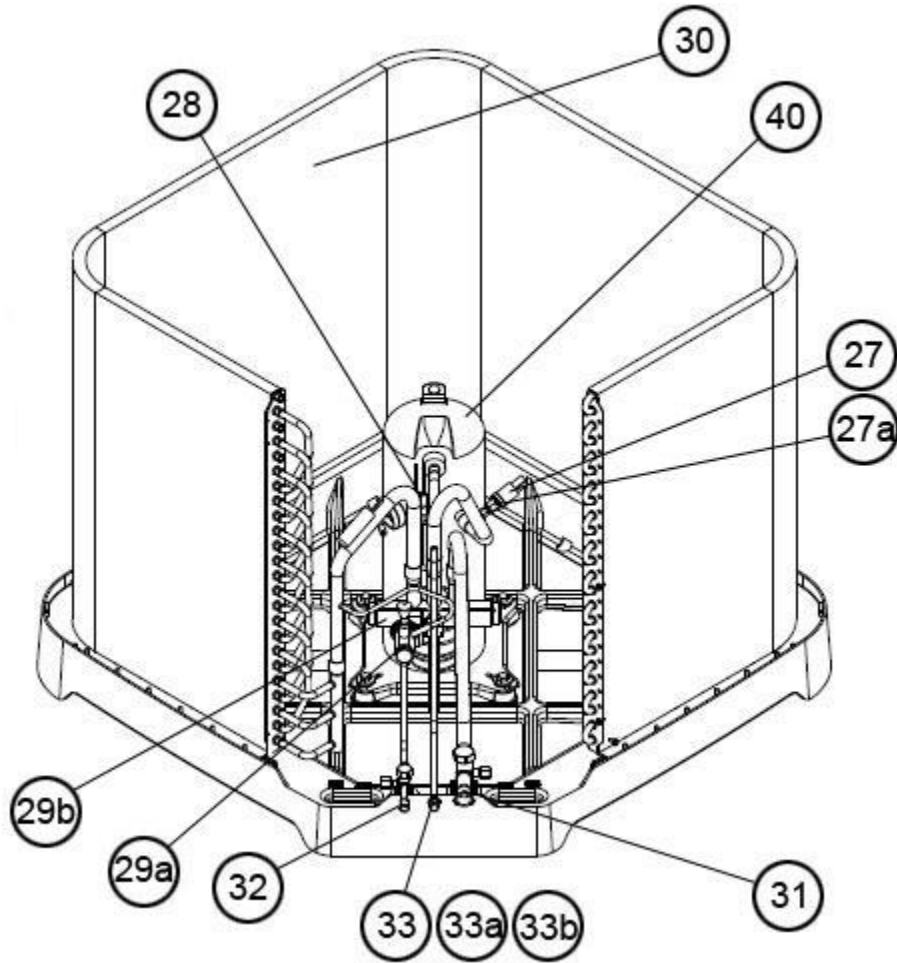
Exploded View



Control Box (1)



Control Box (2)



Valve Mounting, Compressor

# NOTES

Stk It is recommended that stock be maintained for this part.

N/A Not Applicable

- 1 Production has utilized both Three-phase and Single-phase fan motors on some units. For these, it is necessary to verify motor type before ordering.