

PROJECT: _____	UNIT TAG: _____	QUANTITY: _____
REPRESENTATIVE: _____	TYPE OF SERVICE: _____	DATE: _____
ENGINEER: _____	SUBMITTED BY: _____	DATE: _____
CONTRACTOR: _____	APPROVED BY: _____	DATE: _____
	ORDER NO.: _____	DATE: _____

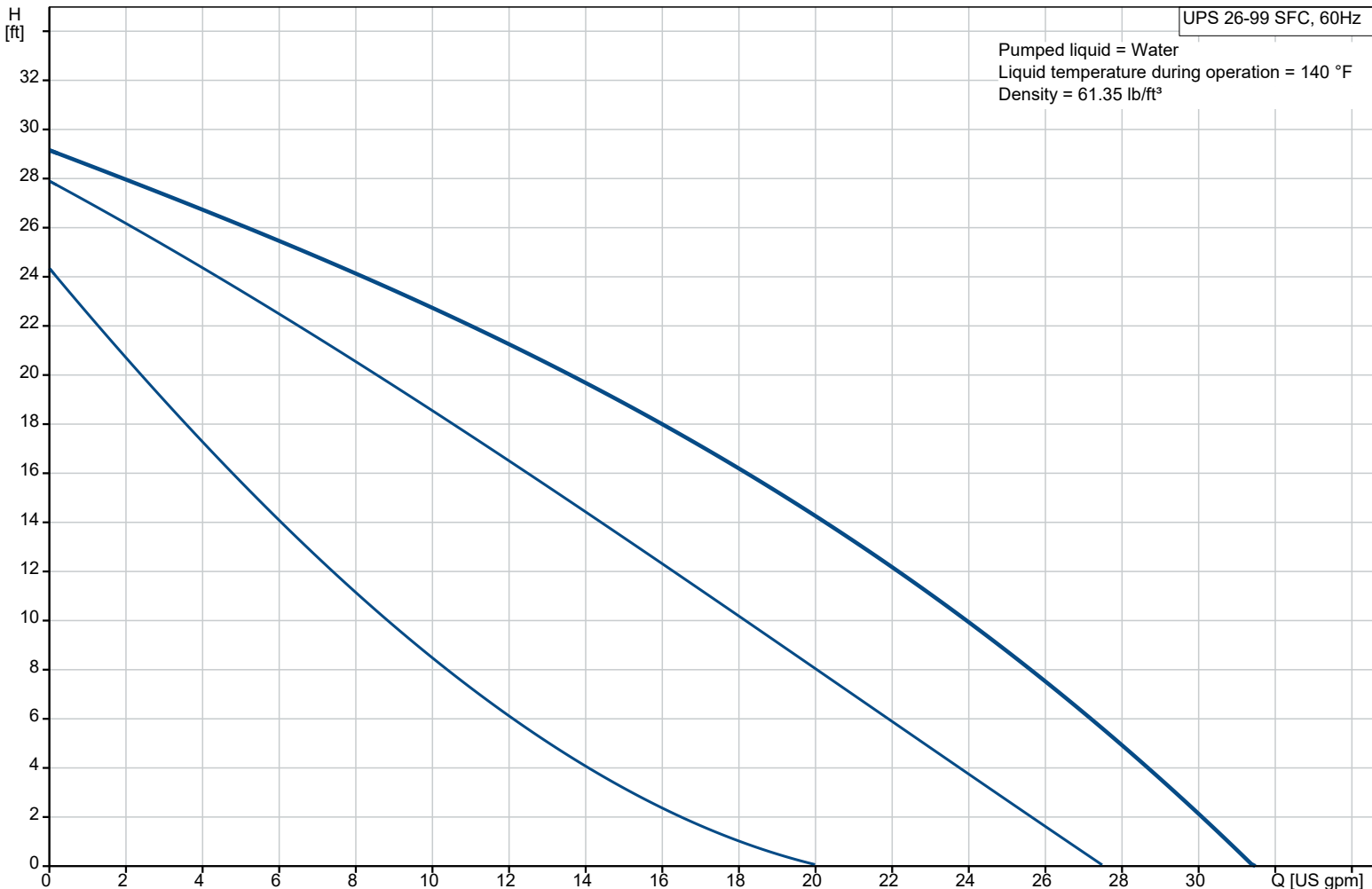
## UPS 26-99 SFC

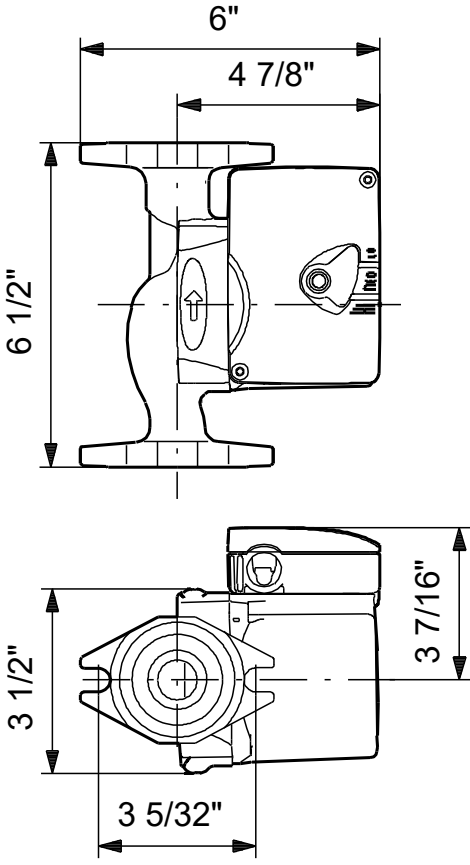
Circulator pumps for domestic hot water applications



Product photo could vary from the actual product

Conditions of Service		Pump Data		Motor Data	
Liquid:	Water	Maximum operating pressure:	145.04 psi	Max. power input:	197 W
Temperature:	140 °F	Liquid temperature range:	35.6 .. 230 °F	Rated voltage:	115 V
Specific Gravity:	0.985	Maximum ambient temperature:	104 °F	Main frequency:	60 Hz
		Approvals:	UL, CSA	Insulation class:	F
		Type of connection:	S.S. Flange	Motor protection:	CONTACT
		Flange standard:	USA Oval	Thermal protection:	internal
		Pipe connection:	2 - Bolt Flange		
		Product number:	98961763		





**Materials:**  
Pump housing: Stainless steel  
Pump housing: EN 1.4301  
Impeller: Composite, PES

**Count Description**

1 **UPS 26-99 SFC**



Product photo could vary from the actual product

Product No.: [98961763](#)

The pump is of the canned rotor type, i.e. pump and motor form an integral unit without shaft seal and with only two gaskets for sealing. The bearings are lubricated by the pumped liquid.

The pump is characterized by:

- \* Ceramic shaft and radial bearings.
- \* Carbon axial bearing.
- \* Stainless steel rotor can and bearing plate.

Impeller: \* Corrosion-resistant impeller, Composite, PES.

Pump housing: \* Stainless steel pump housing.

Phase: The motor is a 1-phase motor.

No additional motor protection is required.

Liquid:

Pumped liquid: Water

Liquid temperature range: 35.6 .. 230 °F

Selected liquid temperature: 140 °F

Density: 61.35 lb/ft<sup>3</sup>

Technical:

Approvals on nameplate: UL, CSA

Materials:

Pump housing: Stainless steel

EN 1.4301

Impeller: Composite, PES

Installation:

Maximum ambient temperature: 104 °F

Ambient max at 176°F liquid: 176 °F

Maximum operating pressure: 145.04 psi

Flange standard: USA Oval

Type of connection: S.S. Flange

Pipe connection: 2 - Bolt Flange

Pressure stage: PN 10

Port-to-port length: 6 1/2 in

Electrical data:

Power input in speed 1: 0.2012 HP

Power input in speed 2: 179 W

Max. power input: 197 W

Main frequency: 60 Hz

Rated voltage: 1 x 115 V

Current in speed 1: 1.3 A

Current in speed 2: 1.5 A

Current in speed 3: 1.8 A

Capacitor size - run: 20 µF/180 V

Number of poles: 2

Insulation class (IEC 85): F



Company name:

Created by:

Phone:

Date:

6/16/2021

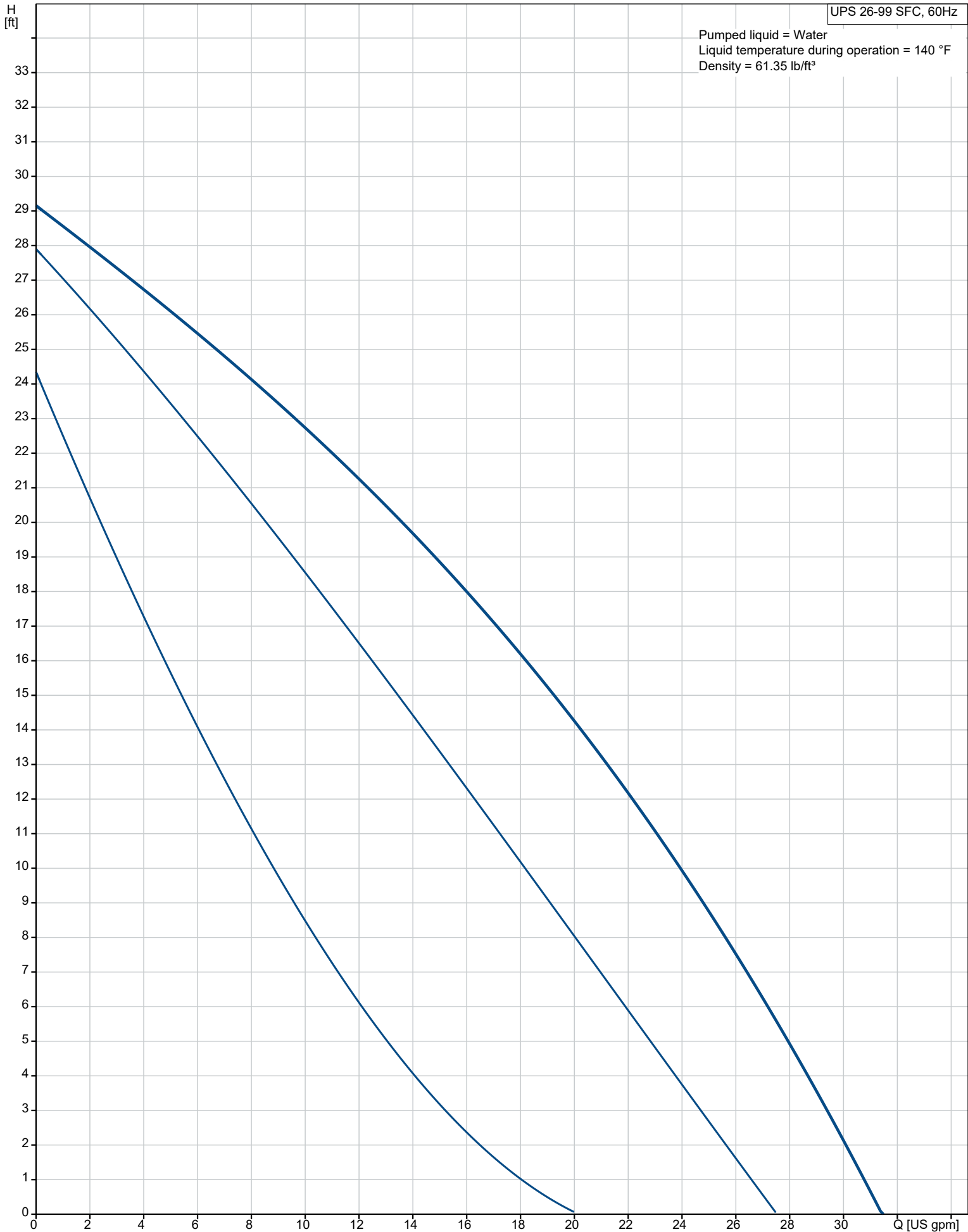
Count	Description
	Others: Gross weight: 10.3 lb Country of origin: US Custom tariff no.: 8413.70.2005



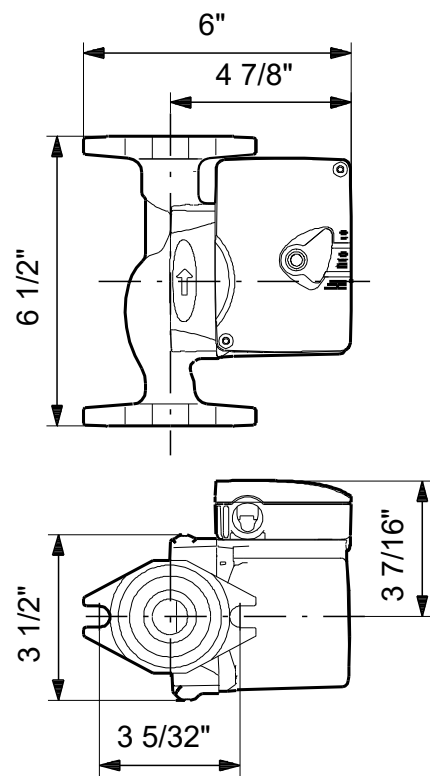
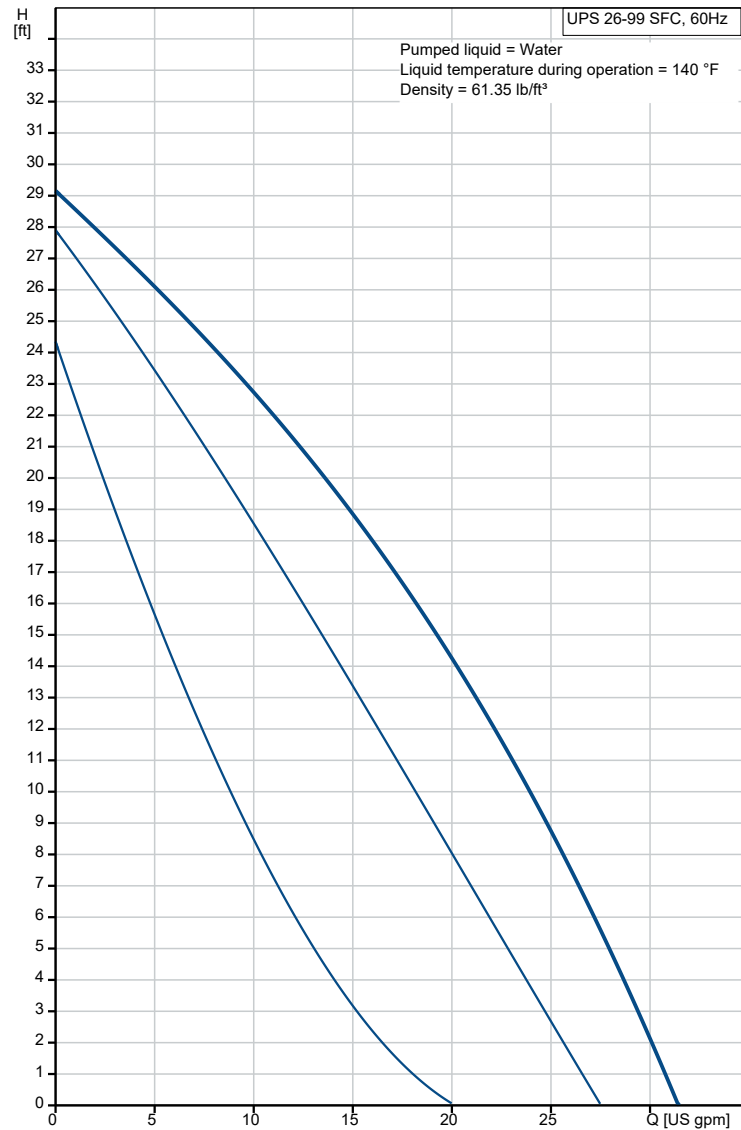
Company name:  
Created by:  
Phone:

Date: 6/16/2021

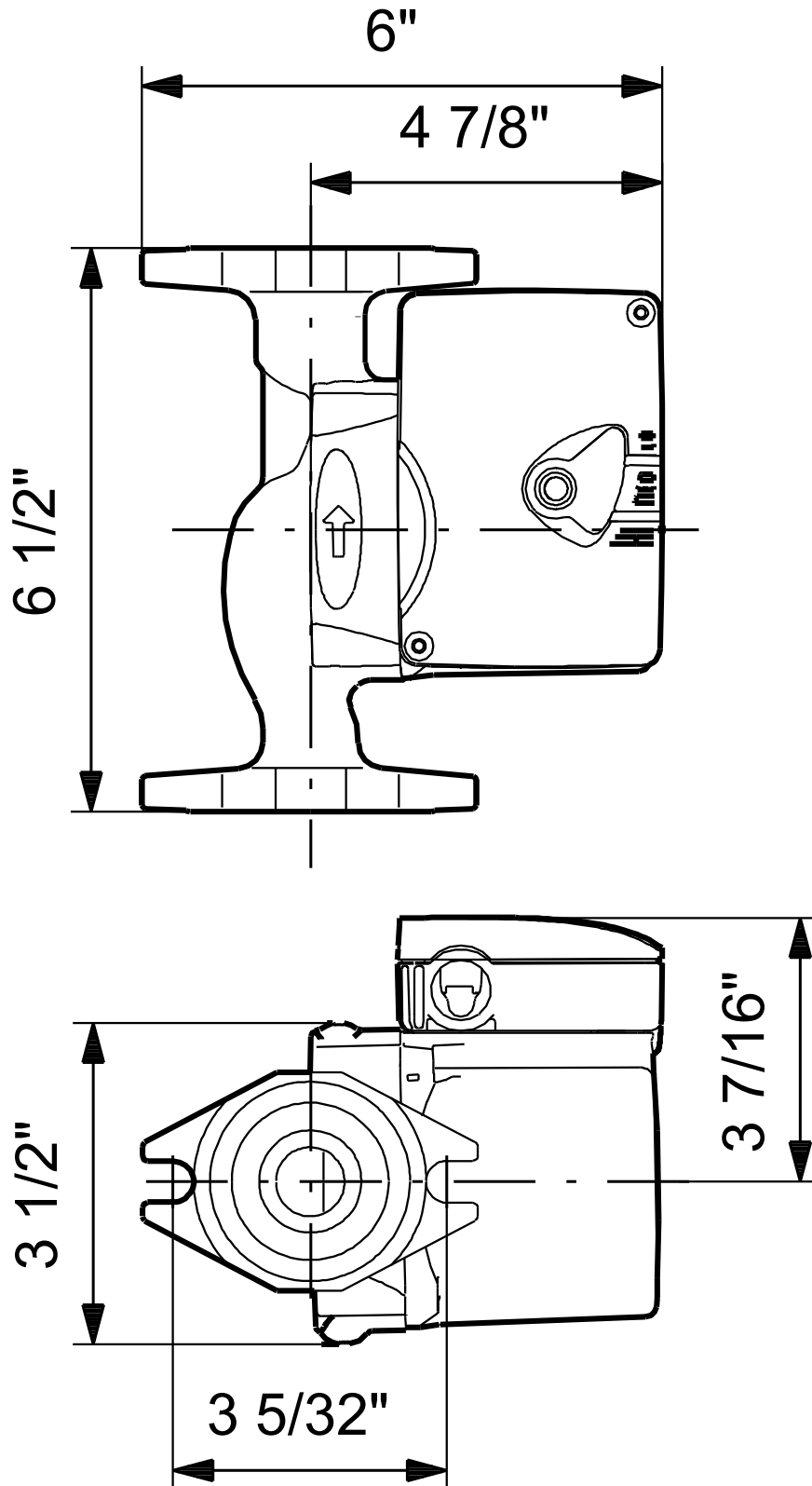
# 98961763 UPS 26-99 SFC 60 Hz



Description	Value
<b>General information:</b>	
Product name:	UPS 26-99 SFC
Product No.:	98961763
EAN:	5712604305751
<b>Technical:</b>	
Speed Number:	3
Maximum flow:	33 US gpm
Max flow:	33 US gpm
Maximum head:	28.87 ft
Head max:	28.87 ft
Approvals on nameplate:	UL, CSA
Valve:	pump with built-in isolating and non-return valves
<b>Materials:</b>	
Pump housing:	Stainless steel
Pump housing:	EN 1.4301
Impeller:	Composite, PES
<b>Installation:</b>	
Maximum ambient temperature:	104 °F
Ambient max at 176°F liquid:	176 °F
Maximum operating pressure:	145.04 psi
Flange standard:	USA Oval
Type of connection:	S.S. Flange
Pipe connection:	2 - Bolt Flange
Pressure stage:	PN 10
Port-to-port length:	6 1/2 in
<b>Liquid:</b>	
Pumped liquid:	Water
Liquid temperature range:	35.6 .. 230 °F
Selected liquid temperature:	140 °F
Density:	61.35 lb/ft <sup>3</sup>
<b>Electrical data:</b>	
Power input in speed 1:	0.2012 HP
Power input in speed 2:	179 W
Max. power input:	197 W
Main frequency:	60 Hz
Rated voltage:	1 x 115 V
Current in speed 1:	1.3 A
Current in speed 2:	1.5 A
Current in speed 3:	1.8 A
Capacitor size - run:	20 µF/180 V
Number of poles:	2
Insulation class (IEC 85):	F
Motor protection:	CONTACT
Thermal protec:	internal
<b>Controls:</b>	
Pos term box:	9H
<b>Others:</b>	
Gross weight:	10.3 lb
Country of origin:	US
Custom tariff no.:	8413.70.2005



## 98961763 UPS 26-99 SFC 60 Hz





Company name:

Created by:

Phone:

Date:

6/16/2021

---

**Order Data:**

Product name: UPS 26-99 SFC

Amount: 1

Product No.: 98961763

Total: Price on request

---