

BA-400/400S* P2 1/2"-2"

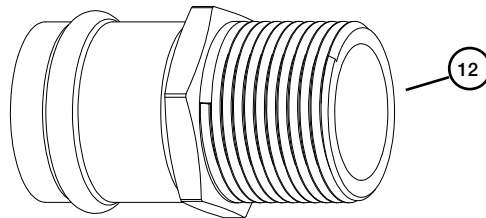
**Bronze Ball Valve
Two Piece
Full Port
200 psig @ 250°F†
Press x Press Ends
Blow-Out Proof Stem
MSS SP-110**



MATERIAL LIST

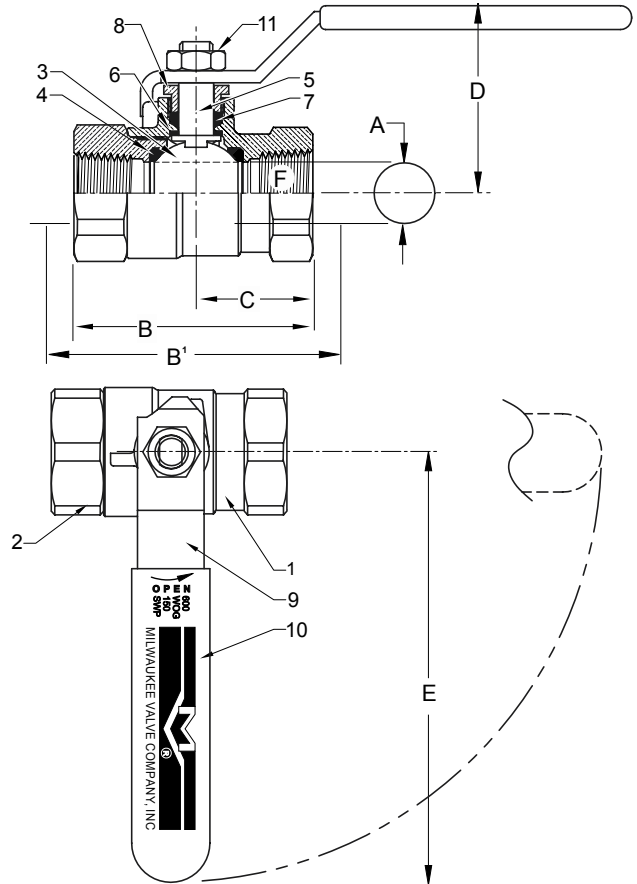
ITEM	PART	MATERIAL	ASTM SPEC
1	Body	Cast Bronze	B584
2	Tailpiece	Brass	B283
		Cast Bronze (1 1/4" & up)	B584
3	Ball	Brass w/Hard Chrome Plating	B16
		316 Stainless Steel (BA-400S)	A276
4	Seat	RPTFE, 15% Glass Filled	
5	Stem	Brass	B16
		316 Stainless Steel (BA-400S)	A276
6	Thrust Washer	RPTFE, 25% Glass Filled	
7	Packing	PTFE	
8	Packing Nut	Brass	B16
9	Handle	Steel w/Zinc Plating	Commercial
10	Hand Grip	Vinyl	
11	Handle Nut	Steel w/Zinc Plating	Commercial
12	Press Adapters	Brass Fitting w/EPDM O-Ring	B283

(1) Ball & Stem are stainless steel for BA-400S P2



Press End Adapter (4151 Series)

*Not intended for use in potable water.



DIMENSIONS

	UNITS	1/2" DN15	3/4" DN20	1" DN25	1-1/4" DN32	1-1/2" DN40	2" DN50
	A (DIA)	INCHES	0.50	0.76	1.06	1.31	1.56
	mm	13	19	27	33	40	51
STD INSERTION DEPTH	INCHES	0.87	0.98	0.98	1.02	1.42	1.58
	mm	22	25	25	26	36	40
B	INCHES	2.19	2.59	3.32	3.77	4.28	5.10
	mm	54	66	84	96	109	130
B ¹	INCHES	5.19	6.17	7.32	7.84	8.76	11.10
	mm	132	157	186	199	228	282
C	INCHES	1.10	1.30	1.59	1.81	2.06	2.37
	mm	27	33	40	46	52	60
D	INCHES	1.91	2.32	2.68	2.82	3.00	3.36
	mm	47	59	68	72	76	85
E	INCHES	3.82	4.55	6.33	6.33	6.33	7.19
	mm	94	116	161	161	161	183
F	THREAD SIZE	1/2" NPT	3/4" NPT	1" NPT	1-1/4" NPT	1-1/2" NPT	2" NPT
Cv		13	30	61	110	185	360

Note: DN (Diameter Nominal) = Metric equivalent size.

†Non-Shock

The information presented on this sheet is correct at time of publication. Milwaukee Valve reserves the right to change design and/or materials without notice. For our Installation, Operation and Maintenance Manual and the most current product information go to www.milwaukeevalve.com.

⚠ State of California Prop 65 **WARNING:** Cancer and Reproductive Harm. For more information visit www.p65warnings.ca.gov.

