

Features

- Two-handle widespread lavatory faucet for 8" - 16" centers.
- UltraGlide engineered ceramic disc valves exceed industry longevity standards two times for a lifetime of durable performance.
- Premium metal construction.
- Handles pre-assembled on valves to simplify installation.
- Red/blue indexing.
- Quick-connect hose connectors make installation a snap.
- Kohler finishes resist corrosion and tarnishing, exceeding industry standards two times.
- Pop-up drain with lift rod and metal tailpiece.
- 1.2 gal/min (4.5 l/min) maximum flow rate.
- Project pack six per case.



ADA

Codes/Standards

ASME A112.18.1/CSA B125.1

NSF 61

NSF 372

All applicable US Federal and State material regulations

DOE - Energy Policy Act 1992

EPA WaterSense®

California Energy Commission (CEC)

ADA

ICC/ANSI A117.1

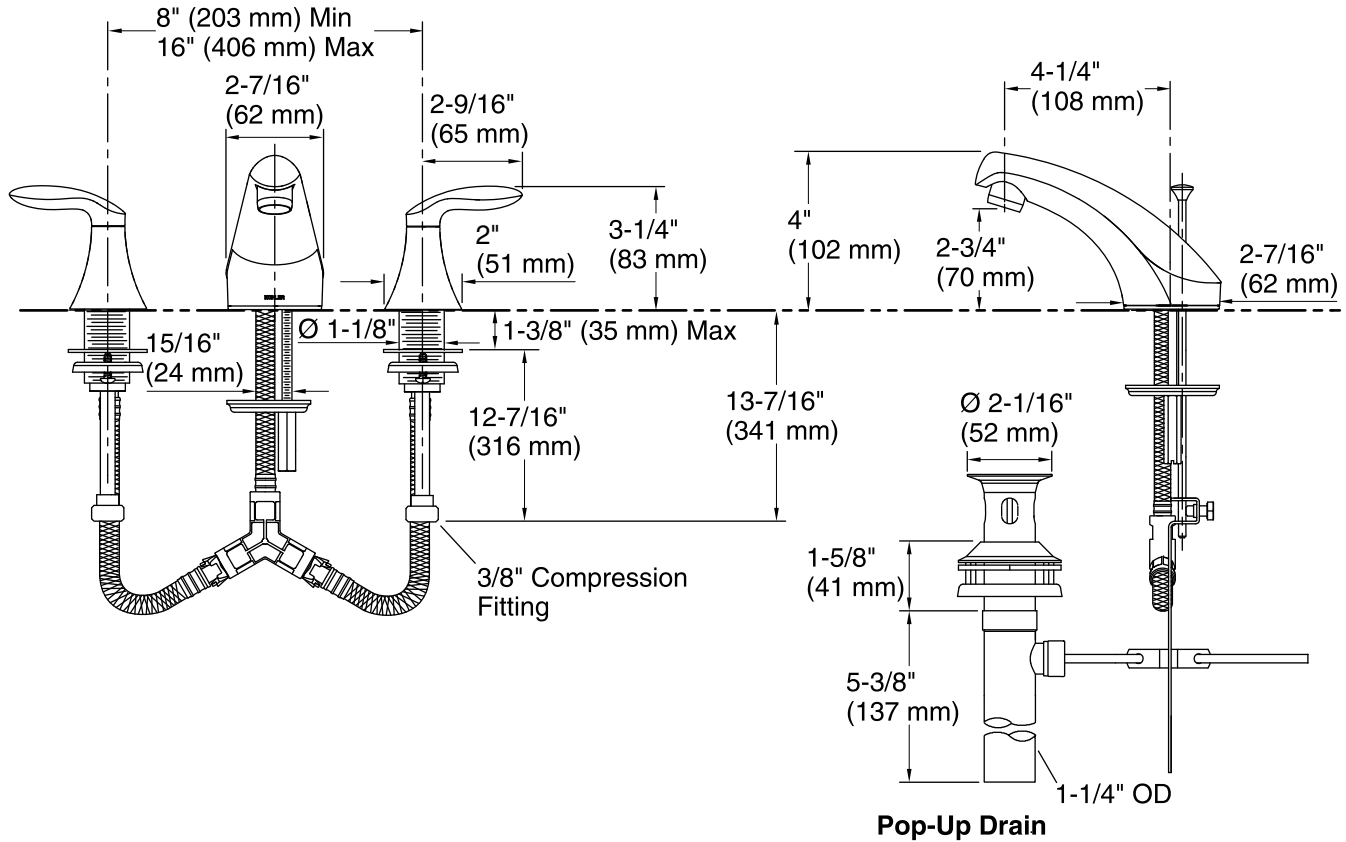
See website for detailed warranty information.

Available Color/Finishes

Color tiles intended for reference only.

Color Code Description

■ CP Polished Chrome



Technical Information

All product dimensions are nominal.

Valve body: Machined Brass

Drain with overflow: YES

Drain tailpiece included: YES

included:

Spout:

Spout reach: 4-11/16" (119 mm)

Handle clearance: 2-9/16" (65 mm)

Faucet:

Flow rate: 1.2 gal/min (4.5 l/min)

Pressure: 60 psi (4.1 bar)

Notes

Install this product according to the installation guide.

ADA compliant when installed to the specific requirements of these regulations.