



100 Royal Way
Temple, GA 30179
Phone (800) 520-6593

SPECIFICATION DATA SHEET

Date: 11-25-2014

MODEL No. 302 Drain Pan

FABRICATION DATA

Material:

ASTM-A653 CS Type B Galvanized Steel
G-30 Coating LFQ Chemical Treatment

Fitting:

PVC Fitting is 3/4" schedule 40 PVC with a Buana-U
O-ring and a 3/4" conduit locknut

Assembly:

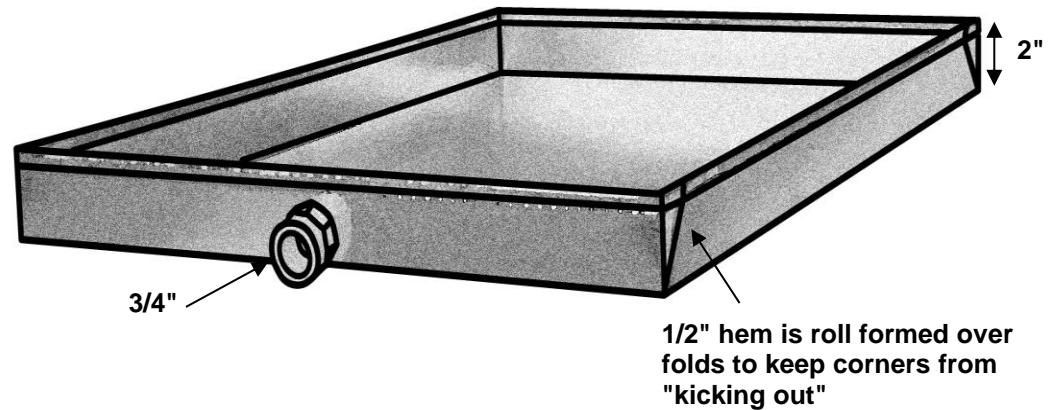
Drain pans are constructed by bending and folding all
four corners to achieve a water proof seal. A 1/2" hem is
added along the entire perimeter for added stability. The
drain plug is installed in a die stamped hole using a PVC
adaptor.

Gauges:

Girths (L+W) less than 79" - 26GA
Girths (L+W) greater than 79" - 24GA
*Maximum width available is 52"

OPTIONS

302 - Drain on Short Side
302L - Drain on Long Side
302NF- No Drain Fitting
302L6- Drain on Long Side 6" from End



Superior Quality, Superior Service, Superior Value.. that's the Royal Advantage